

TECH SPECS

COLDMASTER®

shown on page 122-125

Material: ABS/High Density Polyethylene (HDPE)/Impact Acrylic/Linear Low Density Polyethylene (LLDPE)/Polypropylene(PPY)/Styrene (STY)

Coldmaster® Standard Lids (Acrylic)

Prod. No.	Length	Width	Height
CM1125	20.65	12.68	0.13
CM1126	12.76	10.38	0.13
CM1127	12.72	6.90	0.13
CM1128	6.85	6.27	0.13

Coldmaster® Standard Food Pans (ABS)

Prod. No.	Inside L/W	Outside L/W	Inside/Outside Ht.	Capacity
CM1100	17.70	20.68	5.78	15.0 qt
	9.74	12.72	6.40	—
CM1101	9.85	12.73	5.59	6.0 qt
	7.46	10.36	6.01	—
CM1102	10.20	12.68	5.59	4.0 qt
	4.20	6.89	6.01	—
CM1103	10.20	12.68	5.59	1.7 qt
	4.20	6.89	6.01	—
CM1104	4.19	6.84	5.50	1.6 qt
	3.63	6.25	5.91	—

Coldmaster® Coldpans and Lids (ABS)

Prod. No.	Inside L/W	Outside L/W	Inside/Outside Ht.	Capacity
CM1040	19.65	22.38	4.19	15.9 qt
	11.55	14.23	5.53	—
CM1042	19.80	24.04	6.02	24.1 qt
	11.77	16.03	7.50	—
CM1043	18.12	21.91	6.00	12.5 qt
	5.97	9.79	7.50	—
CM1045	11.96	15.60	6.30	7.5 qt
	6.18	9.80	7.25	—
CM1046	13.11	16.89	6.09	16.0 qt
	11.93	15.72	7.30	—
CM1042LP	—	24.25	1.00	—
	—	16.18	—	—

Coldmaster® Coldcrocks and Accessories

Prod. No.	Inside Diameter	Outside Diameter	Inside/Outside Ht.	Capacity
CM1030 (PPY)	5.25	7.31	6.31/7.12	2.0 qt
CM1031 (PPY)	6.09	6.43	—	—
CM1034 (Acrylic)	4.79	6.62	—	—
CM1032 (Acrylic)	—	6.25	—	—
CM1033 (Acrylic)	—	6.25	—	—
CM1033P (Acrylic)	—	6.25	—	—
CM1035 (Top: HDPE; Outer: PPY; Tube: LLPE)	—	—	—	0.5 or 1.0 oz
CM1036 (LLPE)	—	—	—	—
CM1037 (HDPE)	—	—	10.25	1.0 oz

Coldmaster® Coldbowl

Prod. No.	Inside Diameter	Outside Diameter	Inside/Outside Ht.	Capacity
CM1050 (ABS)	14.75	18.06	4.50/5.18	12.0 qt

Coldmaster® Pan/Organizer

Prod. No.	Inside L/W	Outside L/W	Inside/Outside Ht.	Capacity
CM1049	19.80	24.04	6.02	24.1 qt
	11.77	16.03	7.50	—

Coldmaster® Condiment Organizers

Prod. No.	Length	Width	Height
CM1069 (ABS)	26.50	10.50	6.75
CM1065 (STY)	27.18	19.18	4.43

REPLACEMENT PARTS

TECH SPECS

MAXIMIZER™ FOOD BAR

Prod. No.	Description	Case Pack	Case Wt. Cube	List Price
7750	Sneeze Guard Shield	1 ea	42.70/16.60	735.00 ea
7751	End Post Shield	1 ea	1.90/0.44	18.38 ea
7752	Post Knob	1 ea	0.20/0.04	10.50 ea
7753	Shield Knob	1 ea	0.20/0.04	10.50 ea
7754	Basin Divider*	1 ea	2.55/0.37	55.13 ea
7760	Sneeze Guard Post*	1 ea	8.85/2.99	66.59 ea
7761	Sneeze Guard Cap*	1 ea	5.85/2.33	58.40 ea
7756	6 ft Shield Support Rod	1 ea	2.60/0.52	53.11 ea
*available in Beige(06), Black(03), Brown(01), Dove Gray(23), Forest Green(08), Red(05), Slate(59)				
7755	Latch Assembly	1 ea	0.35/0.04	34.65 ea
IC225CSB	5" Non-marking Swivel Caster w/Brake	1 ea	2.15/0.12	37.45 ea

(A)	7750	Sneeze Guard Shield
(B)	7751	End Post Shield
(C)	7752	Post Knob
(D)	7753	Shield Knob
(E)	7754	Basin Divider
(F)	7760	Sneeze Guard Post
(G)	7761	Sneeze Guard Cap
(H)	7756	6 ft Shield Support Rod
(I)	7755	Latch Assembly
(J)	IC225CSB	5" Non-marking Swivel Caster w/Brake

MAXIMIZER™ FOOD BAR

shown on page 126

Material: Polyethylene

Prod. No.	Total Height	Total Length	Total Width
7711	54.50	93.00 (end shelf upright)	48.25 (tray slides upright)

MAXIMIZER™ TRAY SLIDE, END SHELF

shown on page 126

Material: Polyethylene

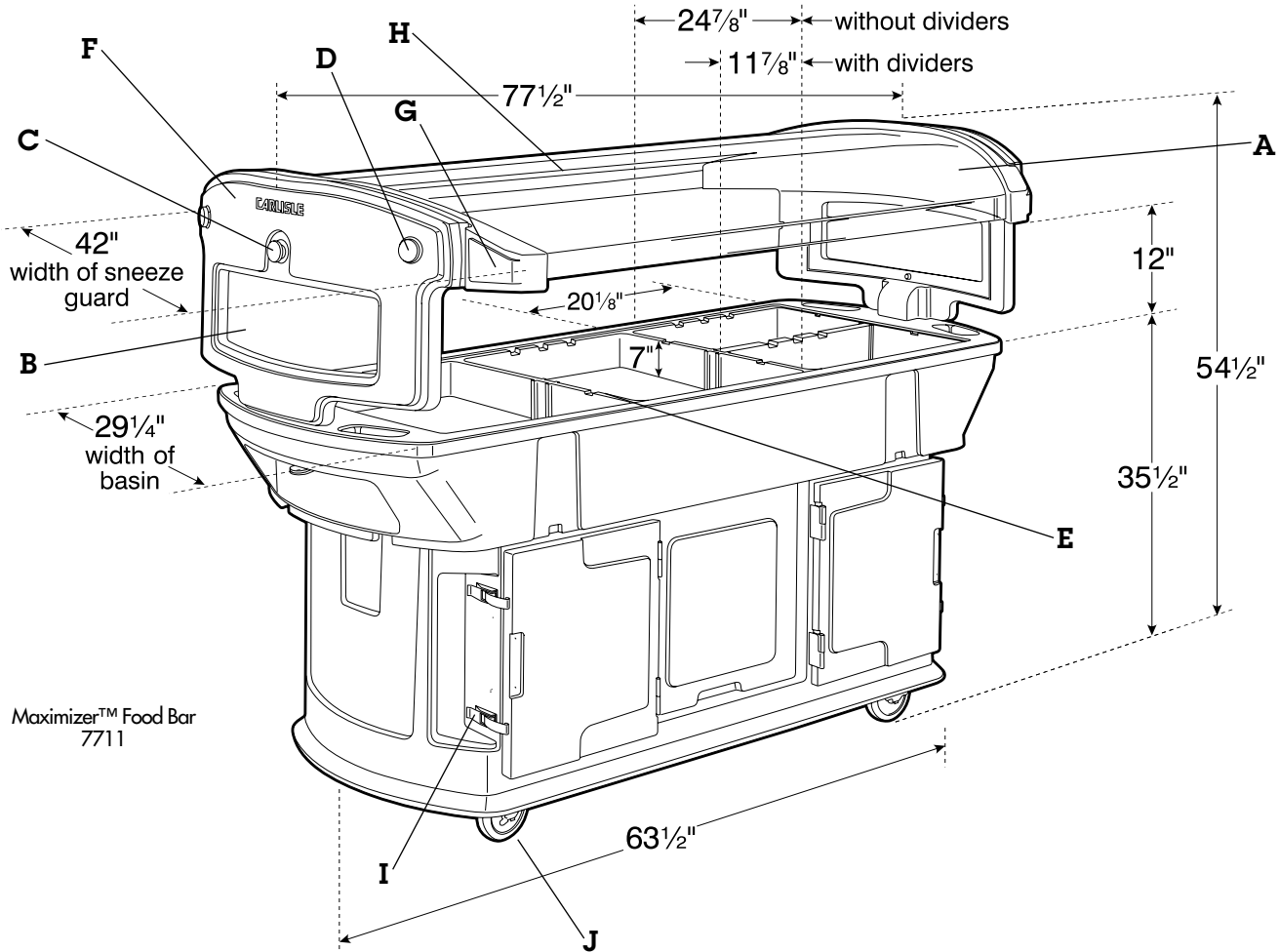
Prod. No.	Length	Width	Height
7721	68.75	8.50	1.75
7725	17.63	25.00	1.63

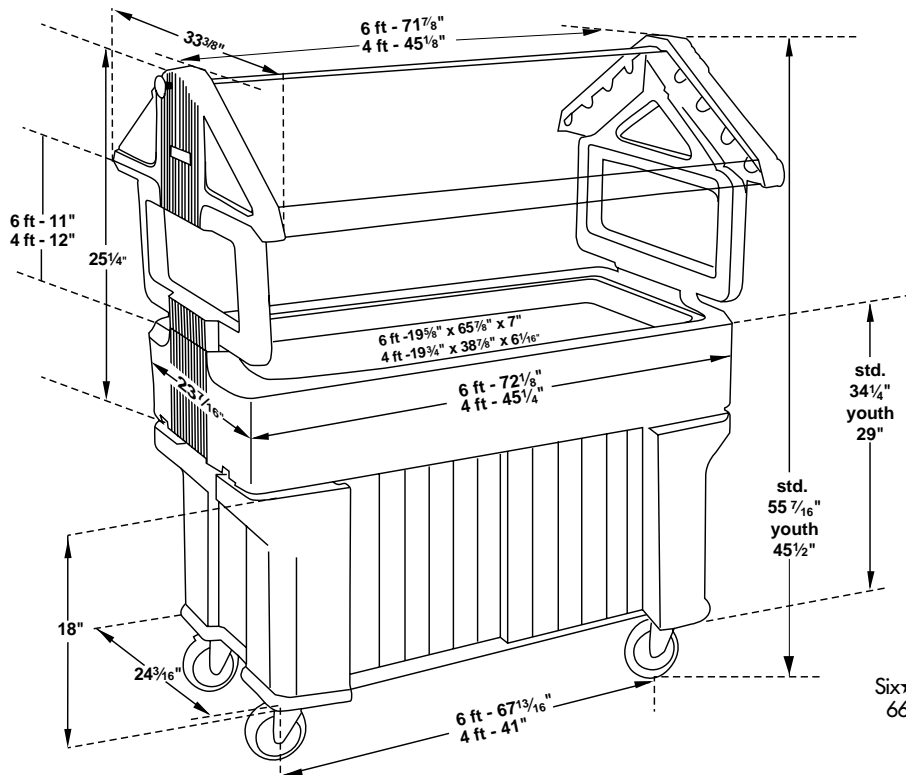
MAXIMIZER™ ORGANIZERS

shown on page 127

Material: ABS

Prod. No.	Overall Length	Overall Width	Overall Height
7731	20.85	26.00	0.25
7734	20.85	26.00	0.25
7741	20.85	26.00	0.25





Six★Star™ Food Bars 6611, 6605, 6606, 6607, 6608, 6600, 6601

REPLACEMENT PARTS

SIX★STAR™ & FIVE★STAR™ FOOD BARS

Prod. No.	Description	Case Pack	Case Wt. Cube	List Price
Six★Star™ Acrylic Shields				
6677	4 ft Shield (Side)	1 ea	10.35/1.26	106.44 ea
6679	6 ft Shield (Side)	1 ea	17.00/2.08	137.07 ea
6695	4 ft Ridge Channel	1 ea	3.20/0.13	14.33 ea
6696	6 ft Ridge Channel	1 ea	5.15/0.21	20.32 ea
Six★Star™ Parts				
6616	Storage Kit for 6 ft Food Bar	1 ea	26.85/1.81	853.86 ea
6684	Sneeze Guard Post	1 ea	7.30/1.50	94.51 ea
6686	6 ft Door	1 ea	6.45/1.91	98.20 ea
6687	Standard Food Bar Leg	1 ea	11.25/4.17	191.00 ea
6688	Youth Food Bar Leg	1 ea	9.00/2.51	191.00 ea
above items available in Beige(06), Black(03), Brown(01) Dove Gray(23), Forest Green(08), Red(05), Slate(59)				
6693	Faucet Assembly	1 ea	0.60/0.05	11.78 ea
IC225CS	5" Non-marking Caster Fixed	1 ea	2.15/0.12	34.34 ea
IC225CSB	5" Non-marking Swivel Caster w/Brake	1 ea	2.15/0.12	37.45 ea
6697	Tray Slide Bracket - Chrome	1 ea	1.20/0.06	34.72 ea
6705	Hardware for Leg/Basin	1 ea	0.60/0.05	18.19 ea
6706	Hardware for Sneeze Guard Post	1 ea	0.30/0.05	18.19 ea
6707	Hardware for Tray Slides	1 ea	0.30/0.05	12.14 ea
6708	Hardware for End Shelf	1 ea	0.30/0.05	12.14 ea
6709	Tabletop Drain Plug Assembly	1 ea	0.15/0.05	18.19 ea

Note: 6615, 6616, 6676, 6677, 6679 can ship UPS/FedEx Ground at oversize cost; 6678 cannot ship UPS/FedEx Ground

Five★Star™ Food Bar Owners: For replacement and upgrade parts, contact your Carlisle Customer Service Representative

Five★Star Buffet Parts

7688	Drain Plug Assembly	1 ea	0.15/0.05	11.74 ea
------	---------------------	------	-----------	-----------------

TECH SPECS

SIX★STAR™ PORTABLE FOOD BARS

shown on page 128

Material: Polyethylene

Prod. No.	Overall Length	Overall Width	Overall Height
6611	72.12	23.68	51.00
6605	45.25	23.68	51.00
6606	72.12	23.68	51.00
6607	45.25	23.68	45.50
6608	72.12	23.68	45.50

SIX★STAR™ TRAY SLIDES, END SHELF

shown on page 128

Material: Polyethylene

Prod. No.	Length	Width	Height
6620	44.00	9.00	2.00
6621	68.75	8.50	1.75
6625	20.62	15.87	1.75

SIX★STAR™ TABLETOP FOOD BARS

shown on page 129

Material: Polyethylene

Prod. No.	Length	Width	Height
6600	45.25	23.68	25.25
6601	72.12	23.68	25.25

REPLACEMENT PARTS

SNEEZE GUARDS

Prod. No.	Description	Case Pack	Case Wt. Cube	List Price
-----------	-------------	-----------	---------------	------------

Sneeze Guard Acrylic Shields

colors: Clear(07) Acrylic

9325	Shield - 24" (3/16" Acrylic)	1 ea	7.70/1.78	75.82 ea
9345	Shield - 48" (3/16" Acrylic)	1 ea	14.75/3.00	121.31 ea
9365	Shield - 60" (3/16" Acrylic)	1 ea	19.80/4.34	159.22 ea
9375	Shield - 73-3/8" (3/16" Acrylic)	1 ea	22.30/4.50	154.70 ea

Note: 9345, 9365 can ship UPS/FedEx Ground at oversize cost; 9375 cannot ship UPS/FedEx Ground

Sneeze Guard Assembly Blocks (see below)

9001	Assembly Block - 1" 30° 2 Prong	1 pr	0.30/0.05	20.14 pr
9005	Assembly Block - 1" 60° 3 Prong	1 pr	0.55/0.10	21.99 pr
9002	Assembly Block - 1" 90° 3 Prong	1 pr	0.40/0.05	20.48 pr
9003	Assembly Block - 1-1/4" 90° 3 Prong	1 pr	0.50/0.05	21.99 pr
9004	Assembly Block - 1" 90° 2 Prong	1 pr	0.20/0.05	7.58 pr

Note: see page 130 for more information

Standard Sneeze Guards

colors: Black(03) or Satin Finish Aluminum(23); 9850 in Black only

9547	1" Spar - 48" *	1 ea	1.80/1.36	22.75 ea
9561	1" Spar - 60" *	1 ea	2.60/0.46	26.53 ea
9573	1" Spar - 73-3/8" *	1 ea	2.75/0.56	30.33 ea
9848	Legs (only) - Standard-Single Sided	1 pr	3.40/0.98	90.98 pr
9850	Legs (only) - Standard-Double Sided	1 pr	5.00/1.10	156.94 pr
9645	4 ft Ridge Channel **	1 ea	2.16/0.36	24.56 ea
9675	6 ft Ridge Channel **	1 ea	3.51/0.56	35.62 ea

Note: 9573 and 9675 can ship UPS/FedEx Ground at oversize cost

* Fits top only on adjustable sneeze guards. Fits top and bottom on standard.

** Also fits sneeze guards

Prod. No.	Description	Case Pack	Case Wt. Cube	List Price
-----------	-------------	-----------	---------------	------------

Adjustable Sneeze Guards

■ colors: 9660, 9672, 9948 available in Black(03) or Satin Aluminum(23) Finish

■ 9648, 9851 in Black(03) only

■ 9002, 9003, 9004 also available in Gray(31) color code for 9407, 9417 is (00)

9648	1-1/4" Spar - 48" - Bottom - Adj.	1 ea	1.70/0.36	22.75 ea
9660	1-1/4" Spar - 60" - Bottom - Adj.	1 ea	2.75/0.46	26.53 ea
9672	1-1/4" Spar - 73-1/4" - Bottom - Adj.	1 ea	3.10/0.56	30.33 ea
9948	Legs (only) - Adjustable-Single Sided	1 pr	7.00/0.94	121.31 pr
9851	Legs (only) - Adjustable-Double Sided	1 pr	5.75/1.10	177.41 pr
7702	Hardware for Single-Sided Sneeze Guard	1 ea	0.15/0.05	11.56 ea
7704	Hardware for Two-Sided Tabletop Sneeze Guard	1 ea	0.15/0.05	12.14 ea
9407	Hardware Kit Single Suspended Sneeze Guard	1 ea	1.60/0.05	53.09 ea
9417	Hardware Kit Double Sided Suspended	1 ea	1.55/0.05	53.09 ea

Note: 9672 can ship UPS/FedEx Ground at oversize cost

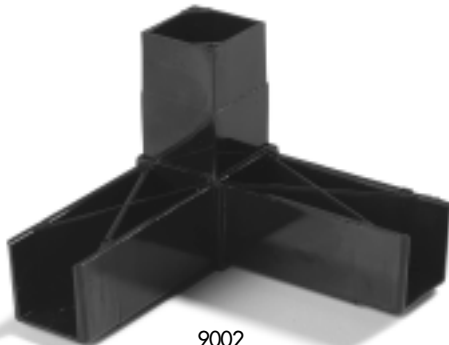
SNEEZE GUARD ASSEMBLY BLOCKS REFERENCE GUIDE



9005



9001



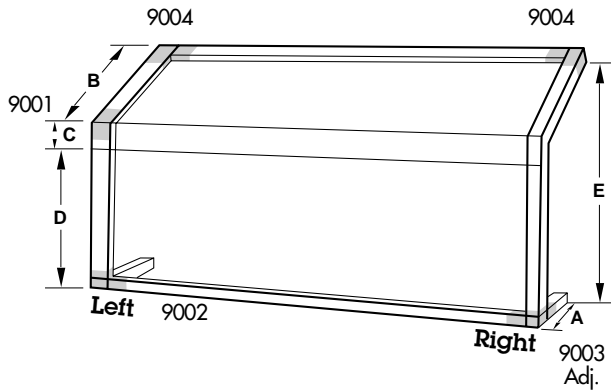
9002



9003

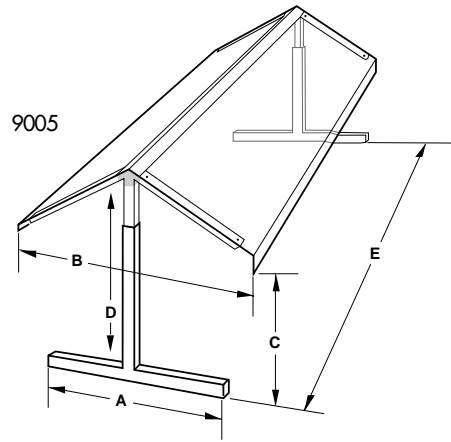


9004



SINGLE-SIDED SNEEZE GUARD

Dim. US	Standard 9148, 9160, 9172	Adjustable 9224, 9248, 9260, 9272
A	12.18	12.44
B	16.62	16.44
C	1.31	1.31
D	15.31	11.75 - 17.81
E	24.69	21.12 - 26.94



DOUBLE-SIDED SNEEZE GUARD

Dim. US	Standard 9710, 9712	Adjustable 9720, 9722
A	22.37	22.37
B	29.12	29.12
C	15.25	11.81 - 17.94
D	25.37	22.06 - 28.06
E	9710 - 48.00 9712 - 73.37	9720 - 48.25 9722 - 73.62

TECH SPECS

SNEEZE GUARDS

shown on page 130

Material: Acrylic, Aluminum

Prod. No.	Length	Depth
Single-Sided Sneeze Guards Height 26", Clearance from tabletop 14-1/2"		
9148	48.00	12.19
9160	60.00	12.19
9172	73.37	12.19
Single-Sided Adjustable Sneeze Guards Adjust lowest edge of guard from 10-1/2" to 16-1/2" from tabletop		
9224	24.25	12.44
9248	48.25	12.44
9260	60.25	12.44
9272	73.62	12.44
End Panel Sneeze Guards		
9051	14.00	10.00
9052	28.04	9.90
Double-Sided Standard Sneeze Guards Height 26", Clearance from tabletop 14-1/2"		
9710	48.00	29.12
9712	73.37	29.12

Prod. No.

Length

Depth

Double-Sided Adjustable Sneeze Guards

Adjust lowest edge of guard from 10-1/2" to 16-1/2" from tabletop

9720	48.25	29.12
9722	73.62	29.12

Suspended Sneeze Guards

Also includes chain and mounting kit for standard and suspended ceiling

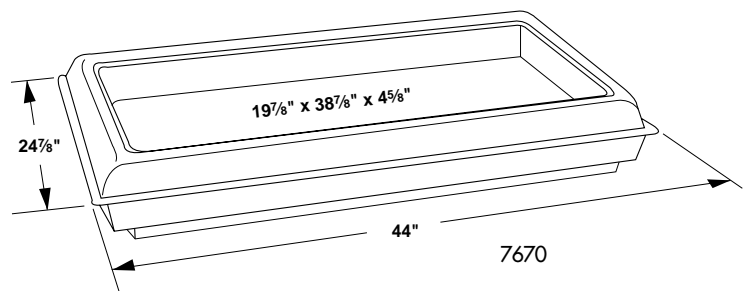
9404	Single-Sided	48.00	12.19
9406	Single-Sided	73.37	12.19
9414	Double-Sided	48.00	29.12
9416	Double-Sided	73.37	29.12

FIVE★STAR™ BUFFET BARS

shown on page 130

Material: Polyethylene

Prod. No.	Int/Ext Length	Int/Ext Width	Depth/Height
7670	38.87/44.00	19.87/24.87	4.62/6.62
7671	65.00/70.63	19.12/24.87	4.62/6.62



DIVIDER BARS

shown on page 131		Material: Polycarbonate	
Prod. No.	Length		
7652	12.00		
7653	20.00		

ELECTRIC KETTLE

shown on page 131		Material: Aluminum Shell		
Prod. No.	Diameter	Height	Insert Capacity	
0587	15.75	11.43	11.0 qt	

CLASSIC™ CROCKS

shown on page 132		Material: SAN w/Polypropylene Lid		
Prod. No.	Lip Diameter	Under Lip Diameter	Height	Capacity
0300	5.06	4.50	2.62	0.6 qt
0301	5.06	4.68	5.18	1.2 qt
0316	6.56	6.12	4.06	1.5 qt
0302	6.56	6.16	6.75	2.7 qt
0304	7.93	7.53	6.75	4.0 qt

POLY-TUF™ CROCKS

shown on page 132		Material: Polypropylene		
Prod. No.	Lip Diameter	Under Lip Diameter	Height	Capacity
0341	5.06	4.68	5.18	1.2 qt
0343	6.56	6.06	4.00	1.5 qt
0342	6.56	6.18	6.75	2.7 qt

CLASSIC™ CROCKS CONDIMENT STATION

shown on page 133		Material: ABS		
Prod. No.	Length	Width	Height	
0305	22.00	7.50	6.00	

SUPREME™ CROCKS

shown on page 133		Material: SAN w/Polypropylene Lid		
Prod. No.	Lip Diameter	Under Lip Diameter	Height	Capacity
0365	6.56	6.16	3.68	1.5 qt
0372	6.56	6.13	6.75	2.7 qt

GOURMET BOWL

shown on page 133		Material: Polycarbonate w/Polypropylene Lid		
Prod. No.	Top Lip Diameter	Under Rim Diameter	Height	Capacity
7039	7.12	6.12	4.12	2.0 qt
7038	7.25	—	—	—

CROCK INSERT

shown on page 134		Material: Polypropylene		
Prod. No.	Top Diameter	Base Diameter	Height	
0322	5.50	4.87	2.87	
0323	5.50	4.87	1.38	

ICE GUARDS

shown on page 134		Material: Stainless Steel	
Prod. No.	Diameter	Height	
0401	5.31	5.68	
0402	6.81	5.68	

LEAF PLATES

shown on page 134		Material: SAN	
Product Number	Diameter L/W	Height	
0345	6.75	1.35	
0347	10.50/9.62	1.35	

LEAF BOWLS

shown on page 134		Material: Acrylic		
Product Number	Diameter	Height	Capacity	
LB10	9.40	2.44	1.5 qt	
LB12	11.25	3.50	3.0 qt	
LB16	15.25	4.75	8.0 qt	
LB18	18.62	5.50	15.0 qt	

PETAL MIST® PLATES & BOWLS

shown on page 135		Material: Polycarbonate		
Product Number	Diameter	Height	Capacity	
6904	6.00	0.93	18.2 oz	
6907	7.93	1.25	24.0 oz	
6908	7.43	2.68	1.3 qt	
6909	9.00	3.50	2.4 qt	
6914	11.93	4.18	5.7 qt	
6917	15.00	5.18	9.8 qt	
6919	18.00	6.25	17.2 qt	
6931	9.75	5.62	3.4 qt	
6954	7.68	0.81	—	

MELAMINE SALAD BOWLS

shown on page 135		Material: Melamine			
Prod. No.	Top Diameter	Base Diameter	Height	Capacity	
Maple Black					
500M	500B	5.43	2.44	2.00	10.0 oz
575M	575B	6.00	2.74	2.00	13.0 oz
650M	650B	6.50	3.13	2.18	20.7 oz
800M	800B	7.58	3.60	2.31	27.6 oz
—	1000B	9.95	4.31	2.56	1.9 qt
—	1250B	12.00	5.38	3.06	3.7 qt

EPICURE® SALAD BOWL

shown on page 135		Material: Melamine		
Prod. No.	Diameter L/W	Height	Capacity	
43813	7.96	2.29	40.6 oz	

WOODGRAIN SALAD BOWLS

shown on page 136		Material: SAN			
Prod. No.	Top Diameter	Base Diameter	Height	Capacity	
7055	5.43	2.62	1.43	10.2 oz	
7060	5.87	2.75	1.62	13.5 oz	
7080	8.25	3.56	2.37	1.1 qt	

ROUND POLYCARBONATE PEBBLED BOWLS

shown on page 136		Material: Polycarbonate		
Prod. No.	Diameter	Height	Capacity	
7206	6.75	1.63	0.6 qt	
7208	8.75	2.56	1.7 qt	
7210	10.75	3.13	3.1 qt	
7212	12.81	3.75	5.5 qt	
7215	15.87	4.75	11.0 qt	
7218	18.75	5.62	18.0 qt	
7223	23.75	7.37	33.0 qt	

ROUND ACRYLIC PEBBLED BOWLS

shown on page 136 Material: Acrylic

Prod. No.	Diameter	Height	Capacity
SB66	5.80	1.52	14.1 oz
SB68	8.25	2.50	1.4 qt
SB70	9.80	2.60	2.0 qt
SB72	12.06	3.95	4.0 qt
SB74	13.62	4.32	7.0 qt
SB76	15.17	5.25	10.0 qt
SB78	17.75	6.80	15.0 qt
SB79	21.87	6.22	24.9 qt

BELL BOWLS

shown on page 137 Material: Acrylic*, Melamine

Prod. No.	Diameter	Height	Capacity
SB90*	11.25	4.12	3.3 qt
SB94*	14.00	4.90	6.0 qt
43811	11.92	3.50	2.6 qt
43816	5.94	2.25	11.5 oz

STACK BOWLS

shown on page 137 Material: Acrylic

Prod. No.	Under Lip Diameter	Lip Diameter	Height	Capacity
8096	4.63	5.50	2.61	19.6 oz
8038	—	8.12	3.47	2.0 qt
8094	8.00	8.93	3.80	2.6 qt
8099	—	9.25	3.32	2.7 qt
8100	8.55	9.44	3.94	3.0 qt

ACRYLIC PEBBLED BOWLS

shown on page 137 Material: Acrylic

Prod. No.	Length	Width	Height	Capacity
SQB2	10.06	10.06	3.20	2.0 qt
OSB170	11.37	8.93	3.10	2.6 qt
OSB172	14.00	10.75	4.80	5.5 qt
OSB174	15.37	12.50	4.24	6.9 qt
OSB176	18.87	13.81	4.60	11.0 qt
OSB178	21.75	15.25	5.00	14.9 qt
DSB274	15.43	12.50	3.60	2.0 qt*
DSB276	18.87	13.62	4.22	4.0 qt*

* Per Compartment

HEAVY DUTY UTILITY TONGS

shown on page 139 Material: 20 ga. Stainless Steel

Prod. No.	Length
607550	9.50
607552	12.00
607356	16.00

CARLY® TONGS

shown on page 139 Material: see below

Prod. No.	Clear No.	Length
Acetal:	PC:	
4606	4006	6.23
4609	4009	9.03
4709	4109	8.85
4712	4112	11.75
4806	4206	6.10
4720	—	7.38
—	0395	8.93

Note: Two year warranty not available on 0395 Tongs and all Clear Tongs

STAINLESS STEEL SERVING SPOONS

shown on page 140 Material: 18-8 Stainless Steel

Solid No.	Perforated No.	Slotted No.	Overall Length	Capacity
One-Piece Construction				
607811	607811P	607811S	11.00	1.0 oz
607813	607813P	607813S	13.00	1.0 oz
607815	607815P	607815S	15.00	1.0 oz
With Bakelite® Handles				
607813BH	607813PBH	607813SBH	13.00	1.0 oz
607815BH	607815PBH	607815SBH	15.00	1.0 oz

SERVING SPOONS

shown on page 141 Material: Polycarbonate

Solid No.	Perforated No.	Slotted No.	Overall Length	Capacity
4410	4411	4412	11.00	1.5 oz
4420	4421	4422	13.00	1.5 oz
4430	4431	—	15.00	1.5 oz

SALAD/BUFFET SPOONS

shown on page 141 Material: Polycarbonate

Prod. No.	Length	Capacity
4450	8.00	0.3 oz
4460	8.00	0.5 oz
4470	10.00	0.8 oz
4471	10.00	0.8 oz

SALAD SPOON

shown on page 141 Material: SAN

Prod. No.	Length	Capacity
509	11.00	1.3 oz

STAINLESS STEEL LADLES

shown on page 142 Material: 18-8 Stainless Steel

Prod. No.	Length	Capacity
Two-Piece Ladles		
607301	9.00	1.0 oz
607302	10.50	2.0 oz
607303	10.50	3.0 oz
607304	12.50	4.0 oz
607306	12.50	6.0 oz
607308	13.00	8.0 oz
607312	15.00	12.0 oz
607324	15.00	24.0 oz
607332	16.00	32.0 oz
One-Piece Ladles		
607351	9.00	1.0 oz
607352	10.50	2.0 oz
607353	10.50	3.0 oz
607354	12.50	4.0 oz
607356	12.50	6.0 oz
607358	13.00	8.0 oz
607362	15.00	12.0 oz
One-Piece Ladle with Dura-Kool™ Handle		
607374	14.00	4.0 oz
607376	14.00	6.0 oz
607378	14.50	8.0 oz
607382	14.50	12.0 oz

CARLY® LADLES

shown on page 143

Material: Polycarbonate

Prod. No.		Length	Capacity
Plain Handle			
0295	9-1/2" Series	9.50	1.0 oz
0296	13-1/2" Series	13.50	1.0 oz

LADLES

shown on page 143

Material: Polycarbonate

Prod. No.		Length	Capacity
Plain Handle			
0240	10-1/2" Series	10.50	0.75 oz

PASTA FORKS

shown on page 144

Material: Polycarbonate

Prod. No.	Overall Length	Handle Length
4350	13.50	10.25
4355	9.50	7.00

MEASURE MISERS®

shown on page 144

Material: Polycarbonate

Prod. No.	Length	Capacity
4358	11.94	1.5 oz
4360/4361	11.94	2.0 oz
4370/4371	12.75	3.0 oz
4380/4381	13.00	4.0 oz
4390/4391	13.38	6.0 oz

HIGH HEAT SERVING SPOONS

shown on page 144

Material: Polysulfone

Solid No.	Perforated No.	Length	Capacity
4415	4416	11.00	1.5 oz
4425	4426	13.00	1.5 oz

Melamine Washing Instructions

To assure the long life of Carlisle Melamine Dinnerware, proper handling is essential. Key points to follow when washing include:

1. Avoid using abrasives or copper/brass scouring pads when removing stains. A woven plastic pad or polyester brush (40113 or 40542) will yield the best results without dulling the lustrous finish.
2. Ask your chemical salesman for the proper solution formulated for use with melamine.
3. Do not use chlorine or chlorine-based products when attempting to remove stains.
4. For best results, use a high-alkaline base solution for regular dishwashing.
5. If unusual staining occurs, before placing trays in dishwasher, pre-soak melamine in a sodium perborate base solution such as Dip-It by Ecolab, Inc. or DeClare Plus by Diversey/Lever.

Cleaning Instructions for Acrylic Products:

Acrylic items should be cleaned with mild soap and water or a cleaner designed specifically for acrylic. Any alcohol or ammonia based cleaner will cloud acrylic.