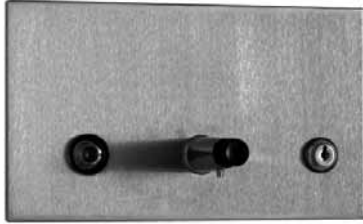




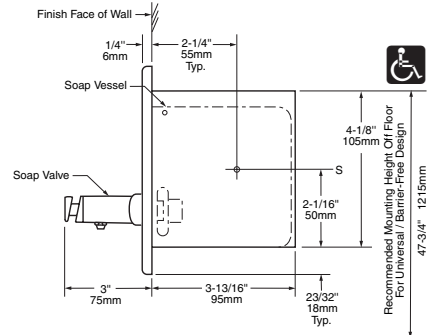
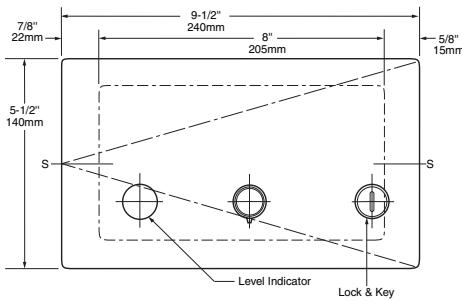
Technical Data

RECESSED SOAP DISPENSER WITH SOAP VESSEL

B-306



Patented



Rough Wall Opening
8-3/8" (210mm) wide
4-3/8" (110mm) high
3-7/8" (98mm) minimum recessed depth

MATERIALS:

Recessed Mounting Box — 18-8 S, type-304 stainless steel. All-welded construction. Completely enclosed.

Door — 18-8 S, type-304, 18-gauge (1.2mm) stainless steel with satin finish. 1/4" (6mm) 90° return edges for maximum rigidity. Secured to mounting box with a concealed stainless steel piano-hinge. Equipped with a polycarbonate refill-indicator window and a tumbler lock keyed like other Bobrick washroom accessories.

Soap Vessel — Molded plastic. Large opening equipped with plastic cover. Capacity: 45 fl oz (1.3 L).

Soap Valve — Valve mechanism with O-ring seals. Stainless steel inner spring and spout. Chrome-plated brass housing.

OPERATION:

Corrosion-resistant valve dispenses commercially marketed all-purpose hand soaps. Valve operates with one hand, without tight grasping, pinching, or twisting of the wrist, and with less than 5 pounds of force (22.2 N) to comply with barrier-free accessibility guidelines (including ADAAG in U.S.A.). Window indicates when refilling is required. Door secured to mounting box unlocks with key provided and swings open 90° for filling without removing from wall.

INSTALLATION:

Provide framed rough wall opening 8-3/8" wide by 4-3/8" high (210 x 110mm). Minimum recessed depth required from finish face of wall is 3-7/8" (98mm). Allow clearance for construction features that may protrude into rough wall opening from opposite wall. Coordinate with mechanical engineer to avoid pipes, vents, and conduits. Mount cabinet with shims between framing and cabinet at all points indicated by an S, then secure unit with screws furnished by manufacturer.

Note: Place unit as close to top of deck of lavatory as plumbing vent code will permit and with bottom of door high enough to clear fixture trim.

SPECIFICATION:

Recessed soap dispenser, including mounting box shall be type-304 stainless steel with all-welded construction; exposed surfaces shall have satin finish. Valve shall be operable with one hand and with less than 5 pounds of force (22.2 N) to comply with barrier-free accessibility guidelines (including ADAAG in U.S.A.). Door shall have molded plastic soap container with plastic cap attached to back, equipped with a soap refill-indicator window and tumbler lock keyed like other Bobrick washroom accessories, and shall have concealed stainless steel piano-hinge. Corrosion-resistant valve shall dispense commercially marketed all-purpose hand soaps. Soap vessel shall have a capacity of 45 fl oz (1.3 L). Manufacturer's service and parts manual shall be provided to the building owner/manager upon completion of project.

Recessed Soap Dispenser shall be Model B-306 of Bobrick Washroom Equipment, Inc., Clifton Park, New York; Jackson, Tennessee; Los Angeles, California; Bobrick Washroom Equipment Company, Scarborough, Ontario; Bobrick Washroom Equipment Pty. Ltd., Australia; and Bobrick Washroom Equipment Limited, United Kingdom.