


# VP17-1, SST (1 Lower Warmer)

17.3" x 18.8" x 8.4"  
(43.9cm x 47.8cm x 21.3cm)

- Pourover brewer requires no plumbing – completely portable
- SplashGard® funnel deflects hot liquids away from the hand
- All stainless steel construction
- PROP 65 Warning Decal included in packaging with equipment
- Servers not included unless otherwise noted



Agency:

 Server(s) sold separately

## Specifications

**Product #:** 13300.0001

**Water Access:** Not Plumbed

**Finish:** Stainless

**Funnel:** Black Plastic

**Warmers:** One Lower

## Additional Features

## Electrical & Capacity

Volts	Amps	Watts	Cord Attached	Plug Type	8oz cups/hr 236ml cups/hr	Input H <sup>2</sup> O Temp.	Phase	# Wires plus Ground	Hertz
120	13.3	1600	Yes	NEMA 5-15P	62	60°F (15.5°C)	1	2	60

## Plumbing Requirements

PSI	kPa	Fitting Supplied	Water Flow Required (GPM)
-	-	-	-

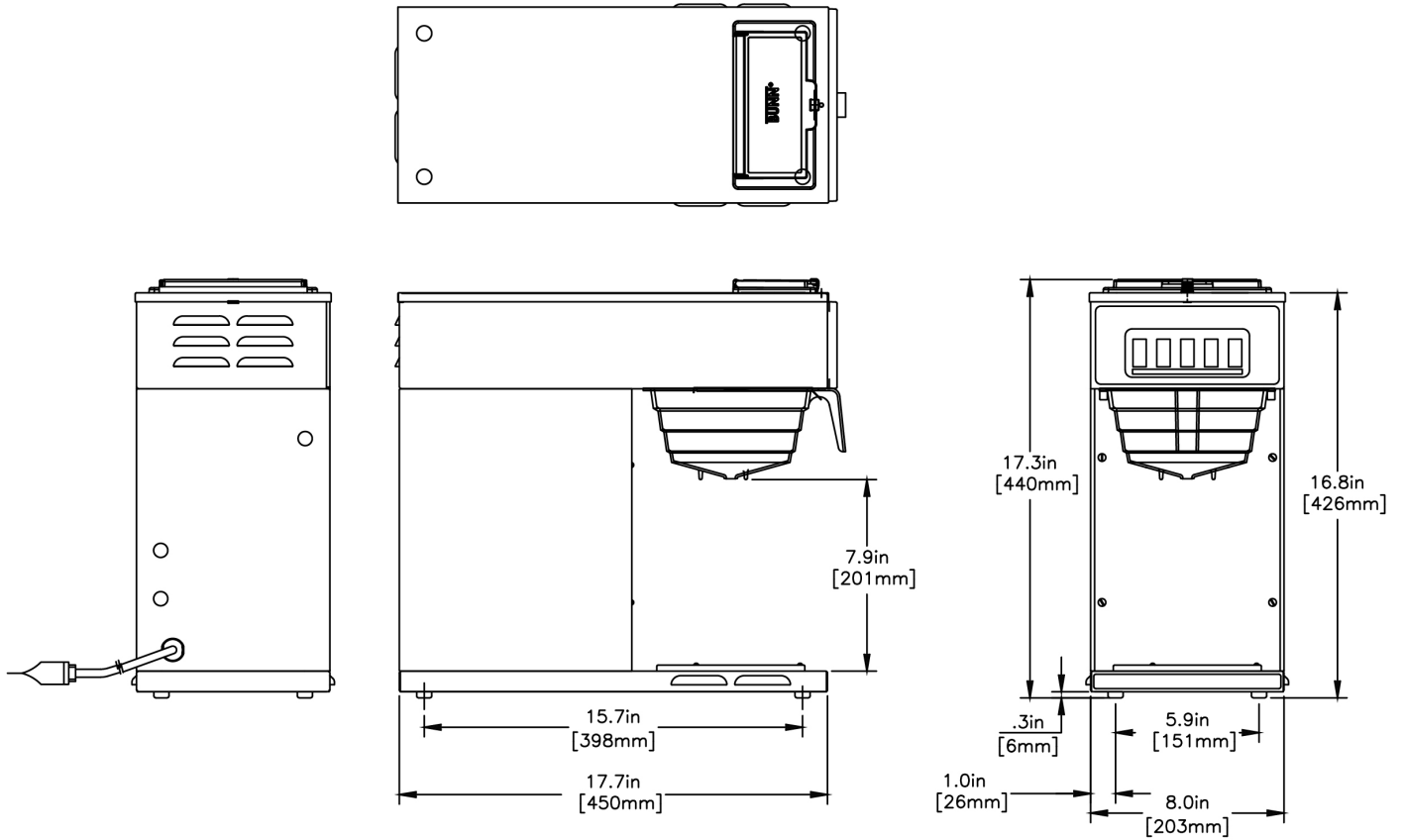
## CAD Drawings

2D	Revit	KLC
●		



BUNN® reserves the right to change specifications and product design without notice. Such revisions do not entitle the buyer to corresponding changes, improvements, additions or replacements for previously purchased equipment. For most current specifications and other info visit [bunn.com](http://bunn.com).

Created on:  
07/18/2019



Unit			Shipping					
	Width	Height	Depth	Width	Height	Depth	Weight	Volume
English	8.4 in.	17.3 in.	18.8 in.	11.9 in.	22.5 in.	25.9 in.	26.000 lbs	5.440 ft <sup>3</sup>
Metric	21.3 cm	43.9 cm	47.8 cm	30.2 cm	57.2 cm	65.8 cm	11.794 kgs	0.154 m <sup>3</sup>



BUNN® reserves the right to change specifications and product design without notice. Such revisions do not entitle the buyer to corresponding changes, improvements, additions or replacements for previously purchased equipment. For most current specifications and other info visit [bunn.com](http://bunn.com).

Created on:  
07/18/2019

Related Products & Accessories:VP17-1, SST (1 Lower Warmer)(13300.0001)



WX2, 120V

Product #: 06310.0004



WX1, 120V

Product #: 06450.0004



FILTERS.REGULAR1M  
500/2 50/CL

Product #: 20115.0000



BUNN® reserves the right to change specifications and product design without notice. Such revisions do not entitle the buyer to corresponding changes, improvements, additions or replacements for previously purchased equipment. For most current specifications and other info visit [bunn.com](http://bunn.com).

Created on:  
07/18/2019

# Serving & Holding Options: VP17-1, SST (1 Lower Warmer)(13300.0001)



EASY POUR®,(BLK) 1/CS

Product #:06100.0101



EASY POUR®,(BLK) 2/CS

Product #:06100.0102



EASY POUR®,(BLK) 3/CS

Product #:06100.0103



EASY POUR®,(BLK) 6/CS

Product #:06100.0106



EASY POUR®,(BLK) 12/CS

Product #:06100.0112



EASY POUR®,(BLK) 24/CS

Product #:06100.0124



EASY POUR®,(BLK) 6-1/CS

Product #:06100.0156



EASY POUR®,(ORN) 1/CS

Product #:06101.0101



EASY POUR®,(ORN) 2/CS

Product #:06101.0102



EASY POUR®,(ORN) 3/CS

Product #:06101.0103



EASY POUR®,(ORN) 6/CS

Product #:06101.0106



EASY POUR®,(ORN) 12/CS

Product #:06101.0112



EASY POUR®,(ORN) 24/CS

Product #:06101.0124



DECANTER, GLASS-BLK 12C 24/CS

Product #:42400.0024



DECANTER, GLASS-BLK 12CUP 1PK

Product #:42400.0101



DECANTER, GLASS-BLK 12C 3/CS

Product #:42400.0103



DECANTER, GLASS-ORN 12C 24/CS

Product #:42401.0024



DECANTER, GLASS-ORN 12 CUP 1PK

Product #:42401.0101



DECANTER, GLASS-ORN 12C 3/CS

Product #:42401.0103



BUNN® reserves the right to change specifications and product design without notice. Such revisions do not entitle the buyer to corresponding changes, improvements, additions or replacements for previously purchased equipment. For most current specifications and other info visit [bunn.com](http://bunn.com).

Created on:  
07/18/2019