

G9-2T HD Stainless

Height: 28.0" Width: 8.3" Depth: 18.4"
(71.1cm) (21.1cm) (46.7cm)

- Four year warranty on grinding burrs
- Portion controlled for the right amount of coffee every time
- Precision burrs for consistent, commercial quality grind
- Two hoppers each hold 6lb (2.72kg) of regular, decaf or specialty coffee beans



Agency:



Specifications

Product #: 24250.0021

Hopper Capacity: 6.00 lbs (2.722 kgs)

Interface: Cabled

Finish: Stainless

Hoppers: Two

Additional Features

Electrical & Capacity

Volts*	Amps	Watts	Cord Attached	Plug Type	8oz cups/hr 236ml cups/hr	Input H ² O Temp.	Phase	# Wires plus Ground	Hertz
120	9.4	1128	Yes	NEMA 5-15P	-	60°F (15.5°C)	1	2	60

*When a BUNN is machine rated 120/208-240V, 120/208V or 120/240V, the higher voltage is the supply voltage needed to power the machine. The 120V is there to supply power to some components rated 120V in the machine, but it is not the supply voltage and would not power the machine if the machine is marked with the before mentioned ratings.

Plumbing Requirements

PSI	kPa	Fitting Supplied	Water Flow Required (GPM)
-	-	-	-

CAD Drawings

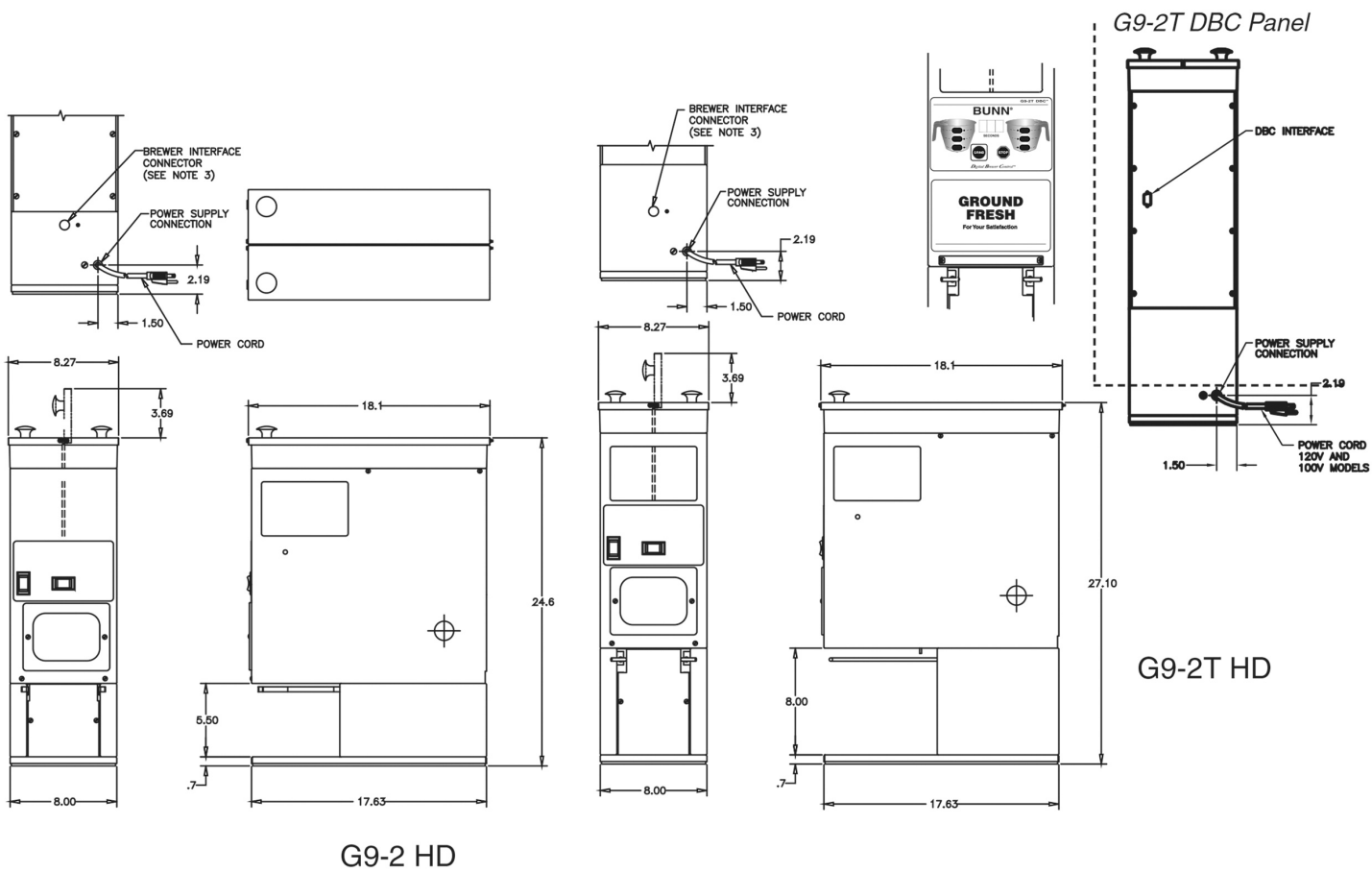
2D	Revit	KLC
●		

WARNING:



BUNN® reserves the right to change specifications and product design without notice. Such revisions do not entitle the buyer to corresponding changes, improvements, additions or replacements for previously purchased equipment. For most current specifications and other info visit bunn.com.

Last Updated:
12/23/2025



G9-2 HD

G9-2T HD

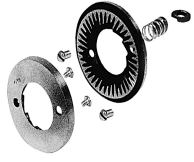
	Unit			Shipping				
	Height	Width	Depth	Height	Width	Depth	Weight	Volume
English	28.0 in.	8.3 in.	18.4 in.	35.5 in.	13.4 in.	23.4 in.	67.000 lbs	6.423 ft ³
Metric	71.1 cm	21.1 cm	46.7 cm	90.2 cm	34.0 cm	59.4 cm	30.391 kgs	0.182 m ³



BUNN® reserves the right to change specifications and product design without notice. Such revisions do not entitle the buyer to corresponding changes, improvements, additions or replacements for previously purchased equipment. For most current specifications and other info visit bunn.com.

Last Updated: 12/23/2025

Related Products & Accessories: G9-2T HD Stainless(24250.0021)



BURR SET KIT, NEW

Product #: 05861.1002²

DECHAFFER PLATE,
SPRING STEEL

Product #: 05995.0000²



BURR SET KIT, TURKISH
GRIND

Product #: 11285.1000²

BOWL ASSY, COFFEE
BLACK

Product #: 48520.0000²

¹NSF Certified ²NSF Certified with spec sheet model listed ³NSF Certified under Solventum Purification ⁴NSF Certified under Mavea LLC ⁵NSF Certified under Zojirushi ⁶NSF Certified under Qins Inc ⁷NSF COMPONENT Certified



BUNN® reserves the right to change specifications and product design without notice. Such revisions do not entitle the buyer to corresponding changes, improvements, additions or replacements for previously purchased equipment. For most current specifications and other info visit bunn.com.

Last Updated:
12/23/2025

Serving & Holding Options: G9-2T HD Stainless(24250.0021)

Serving and Holding selections are currently unavailable. Please contact your sales representative to find out more information.

¹NSF Certified ²NSF Certified with spec sheet model listed ³NSF Certified under Solventum Purification ⁴NSF Certified under Mavea LLC ⁵NSF Certified under Zojirushi ⁶NSF Certified under Qins Inc ⁷NSF COMPONENT Certified



BUNN® reserves the right to change specifications and product design without notice. Such revisions do not entitle the buyer to corresponding changes, improvements, additions or replacements for previously purchased equipment. For most current specifications and other info visit bunn.com.

Last Updated:
12/23/2025