



STAINLESS STEEL HEAVY DUTY WORK TABLES

Open Base



FLAT TOP
TMSLAG-X Series



5" BACKSPLASH
TKMSLAG-X Series

Item #: _____ Qty #: _____

Model #: _____

Project #: _____



FEATURES:

TMSLAG: Top is furnished with 1 5/8" square bend on sides and 1 5/8" sanitary rolled rim on front and rear & square sides.

TKMSLAG: Top is furnished with 1 5/8" square bend on sides and 1 5/8" sanitary rolled rim on front with 5" Rear Splash.

Two hat-channels stud welded under tabletop to reinforce and maintain a level work surface.

CONSTRUCTION:

All TIG welded. Exposed weld areas polished to match adjacent surface.

Top is sound deadened.

Roll formed embossed galvanized hat channels are secured to top by means of structural adhesive and weld studs.

Gussets welded to support hat channels.

MATERIAL:

TOP: 16 gauge stainless steel type "304" series.

LEGS: 1 5/8" diameter tubular Stainless steel. Stainless steel gussets. 1" adjustable stainless steel bullet feet.

	L	Model #	Cu.		Model #	Cu.	
			WT.	Ft.		WT.	Ft.
			FLAT TOP		5" SPLASH		
24" WIDE	24"	TMSLAG-242-X	36 lbs.	4	TKMSLAG-242-X	41 lbs.	6
	30"	TMSLAG-240-X	42 lbs.	4	TKMSLAG-240-X	47 lbs.	6
	36"	TMSLAG-243-X	47 lbs.	4	TKMSLAG-243-X	52 lbs.	6
	48"	TMSLAG-244-X	56 lbs.	5	TKMSLAG-244-X	62 lbs.	8
	60"	TMSLAG-245-X	64 lbs.	7	TKMSLAG-245-X	73 lbs.	10
	72"	TMSLAG-246-X	77 lbs.	8	TKMSLAG-246-X	84 lbs.	12
	84"	TMSLAG-247-X	86 lbs.	9	TKMSLAG-247-X	95 lbs.	14
	96"	TMSLAG-248-X*	102 lbs.	10	TKMSLAG-248-X*	112 lbs.	16
30" WIDE	24"	TMSLAG-302-X	43 lbs.	5	TKMSLAG-302-X	47 lbs.	8
	30"	TMSLAG-300-X	53 lbs.	5	TKMSLAG-300-X	55 lbs.	8
	36"	TMSLAG-303-X	57 lbs.	5	TKMSLAG-303-X	62 lbs.	8
	48"	TMSLAG-304-X	69 lbs.	6	TKMSLAG-304-X	75 lbs.	10
	60"	TMSLAG-305-X	82 lbs.	8	TKMSLAG-305-X	89 lbs.	13
	72"	TMSLAG-306-X	94 lbs.	10	TKMSLAG-306-X	101 lbs.	15
	84"	TMSLAG-307-X	107 lbs.	11	TKMSLAG-307-X	115 lbs.	18
	96"	TMSLAG-308-X*	126 lbs.	13	TKMSLAG-308-X*	136 lbs.	20
36" WIDE	36"	TMSLAG-363-X	60 lbs.	6	TKMSLAG-363-X	64 lbs.	9
	48"	TMSLAG-364-X	74 lbs.	8	TKMSLAG-364-X	79 lbs.	12
	60"	TMSLAG-365-X	83 lbs.	10	TKMSLAG-365-X	94 lbs.	15
	72"	TMSLAG-366-X	101 lbs.	11	TKMSLAG-366-X	108 lbs.	18
	96"	TMSLAG-368-X*	136 lbs.	15	TKMSLAG-368-X*	148 lbs.	24

*All 8 ft. Tables Provided With 6 Legs



Stainless Steel Bullet Feet are standard on TMSLAG & TKMSLAG Series



Customer Service Available To Assist You **1-800-645-3166** 8:30 am - 8:00 pm E.S.T.

For Orders & Customer Service:

Email: customer@advancetabco.com or Fax: 631-242-6900

For Smart Fabrication™ Quotes:

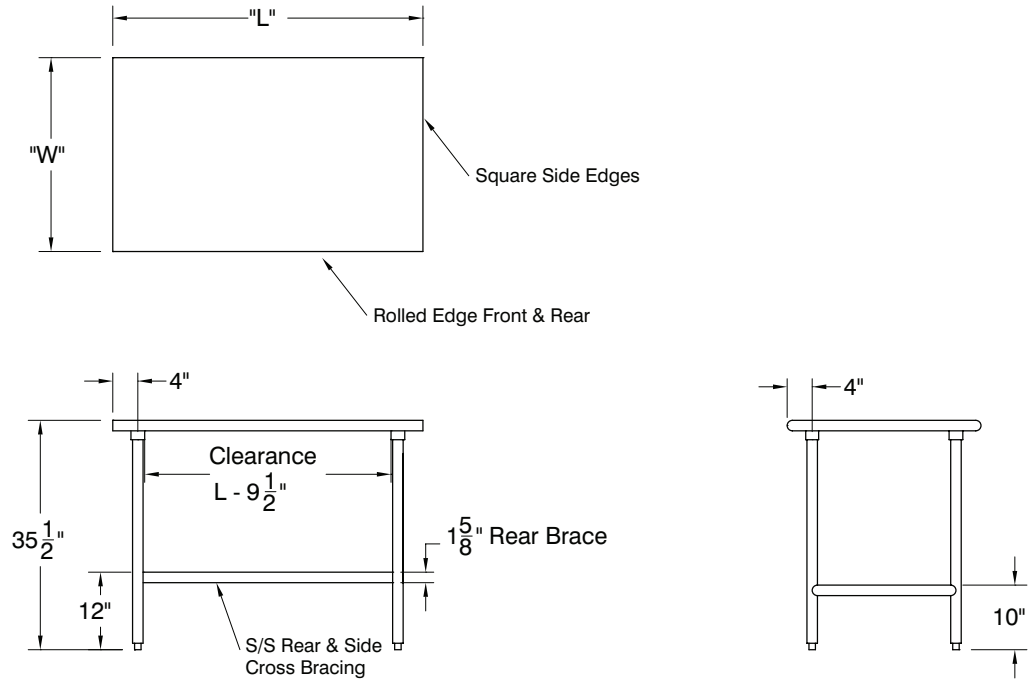
Email: smartfab@advancetabco.com or Fax: 631-586-2933

DETAILS and SPECIFICATIONS

TOL \pm .500"

ALL DIMENSIONS ARE TYPICAL

TMSLAG-X SERIES



TKMSLAG-X SERIES

