



STAINLESS STEEL
18 GAUGE GALVANIZED WORK TABLES
TT, TTF & TTK Series



Item #: _____ Qty #: _____
Model #: _____
Project #: _____



FEATURES:

TT Series top is furnished with 1 5/8" sanitary rolled rim on front and rear and square ends.

TTF Series top is furnished with 1 5/8" sanitary rolled rim on front and and 1 1/2" backsplash on rear.

TTK Series top is furnished with 1 5/8" sanitary rolled rim on front and and 5" backsplash on rear.

Two die formed hat channels are attached to underside of work table top to reinforce and maintain a level working surface.

Leg Collar at undershelf corner secures leg shelf to legs & is fully adjustable.

CONSTRUCTION:

All TIG welded. Exposed weld areas polished to match adjacent surface.

Top is sound deadened.

Die formed galvanized hat channels are secured to top by means of structural adhesive and weld studs.

Gussets welded to hat channels.

MATERIAL:

TOP: 18 Gauge Stainless Steel Type "430" Series

SHELF: 18 Gauge Galvanized Steel with Galvanized Steel Gussets

LEGS: 1 5/8" Diameter Tubular Galvanized Steel
1" Adjustable Plastic Bullet Feet

		Flat Top			1-1/2" Splash			5" Splash		
W	L	Model	Approx. Wt.	Approx. Cu. Ft.	Model	Approx. Wt.	Approx. Cu. Ft.	Model	Approx. Wt.	Approx. Cu. Ft.
18" WIDE	36"	TT-183-X	33 lbs.	3	--	--	--	--	--	--
	48"	TT-184-X	44 lbs.	3	--	--	--	--	--	--
	60"	TT-185-X	55 lbs.	4	--	--	--	--	--	--
	72"	TT-186-X	66 lbs.	5	--	--	--	--	--	--
	84"	TT-187-X	79 lbs.	6	--	--	--	--	--	--
	96"	TT-188-X*	92 lbs.	7	--	--	--	--	--	--
24" WIDE	24"	TT-242-X	36 lbs.	2	TTF-242-X	36 lbs.	2	--	--	--
	30"	TT-240-X	40 lbs.	2	TTF-240-X	40 lbs.	2	--	--	--
	36"	TT-243-X	44 lbs.	2	TTF-243-X	44 lbs.	2	--	--	--
	48"	TT-244-X	52 lbs.	3	TTF-244-X	52 lbs.	3	--	--	--
	60"	TT-245-X	60 lbs.	4	TTF-245-X	60 lbs.	4	--	--	--
	72"	TT-246-X	68 lbs.	4	TTF-246-X	68 lbs.	4	--	--	--
	84"	TT-247-X	75 lbs.	5	TTF-247-X	75 lbs.	5	--	--	--
96"	TT-248-X*	88 lbs.	9	TTF-248-X*	88 lbs.	9	--	--	--	
30" WIDE	30"	TT-300-X	50 lbs.	3	TTF-300-X	50 lbs.	3	--	--	--
	36"	TT-303-X	55 lbs.	3	TTF-303-X	55 lbs.	3	--	--	--
	48"	TT-304-X	64 lbs.	4	TTF-304-X	64 lbs.	4	TTK-304-X	75 lbs.	8
	60"	TT-305-X	73 lbs.	5	TTF-305-X	73 lbs.	5	TTK-305-X	83 lbs.	10
	72"	TT-306-X	82 lbs.	6	TTF-306-X	82 lbs.	6	TTK-306-X	99 lbs.	12
	84"	TT-307-X	92 lbs.	6	TTF-307-X	92 lbs.	6	--	--	--
	96"	TT-308-X*	105 lbs.	11	TTF-308-X*	105 lbs.	11	--	--	--

*8' tables furnished with 6 legs



Customer Service Available To Assist You 1-800-645-3166 8:30 am - 8:00 pm E.S.T.

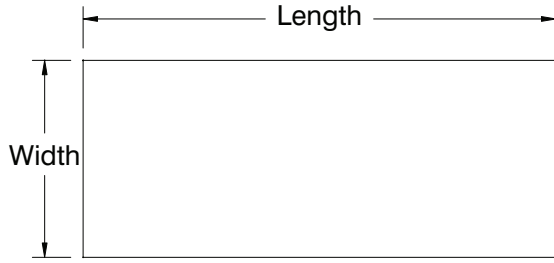
For Orders & Customer Service:
 Email: customer@advancetabco.com or Fax: 631-242-6900

For Smart Fabrication™ Quotes:
 Email: smartfab@advancetabco.com or Fax: 631-586-2933

DIMENSIONS and SPECIFICATIONS

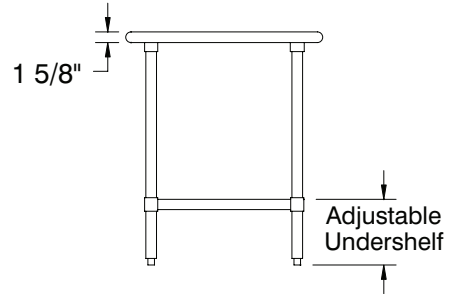
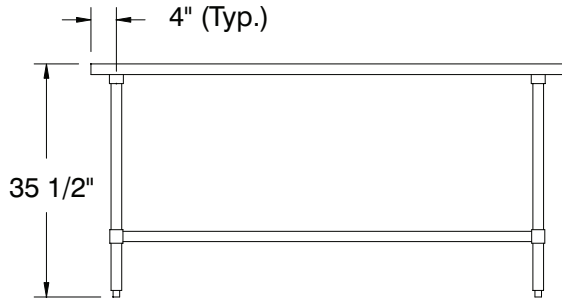
ALL DIMENSIONS ARE TYPICAL TOL ± .500"

All Units Shipped Unassembled (KD) for Reduced Shipping Costs.

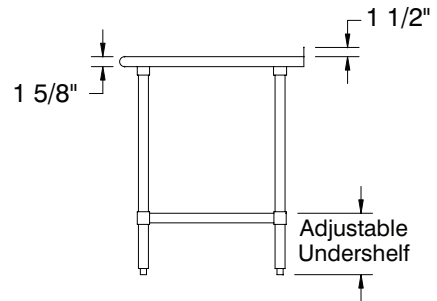
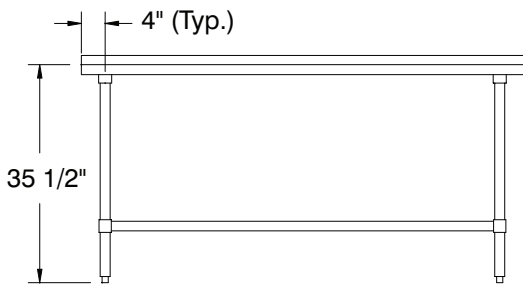


For Future Drawer Installation,
Order **TA-90 Drawer Adapter**
With The Drawer

TT SERIES



TTF SERIES



TTK SERIES

