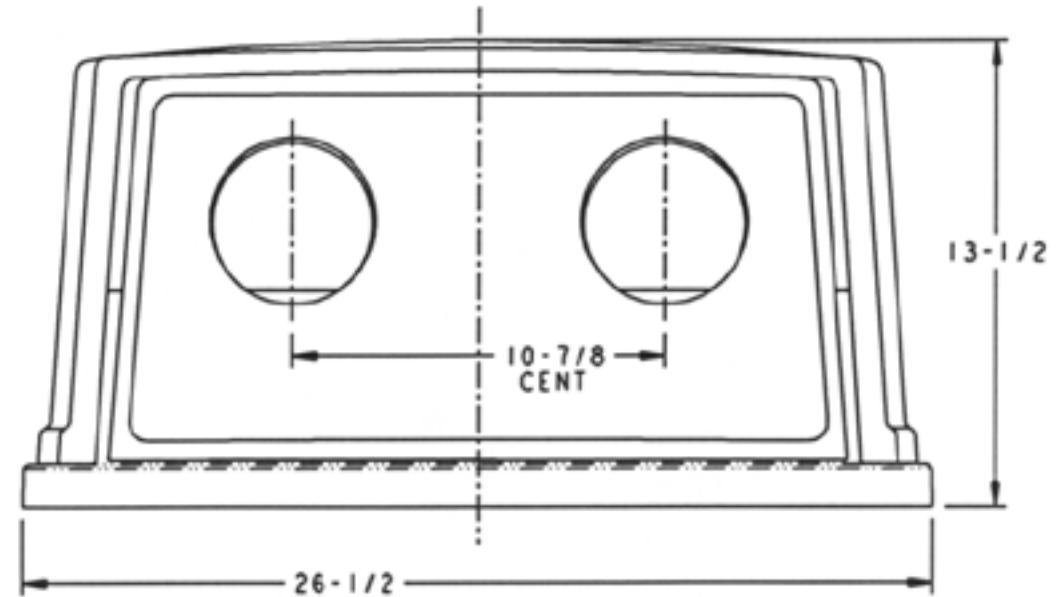
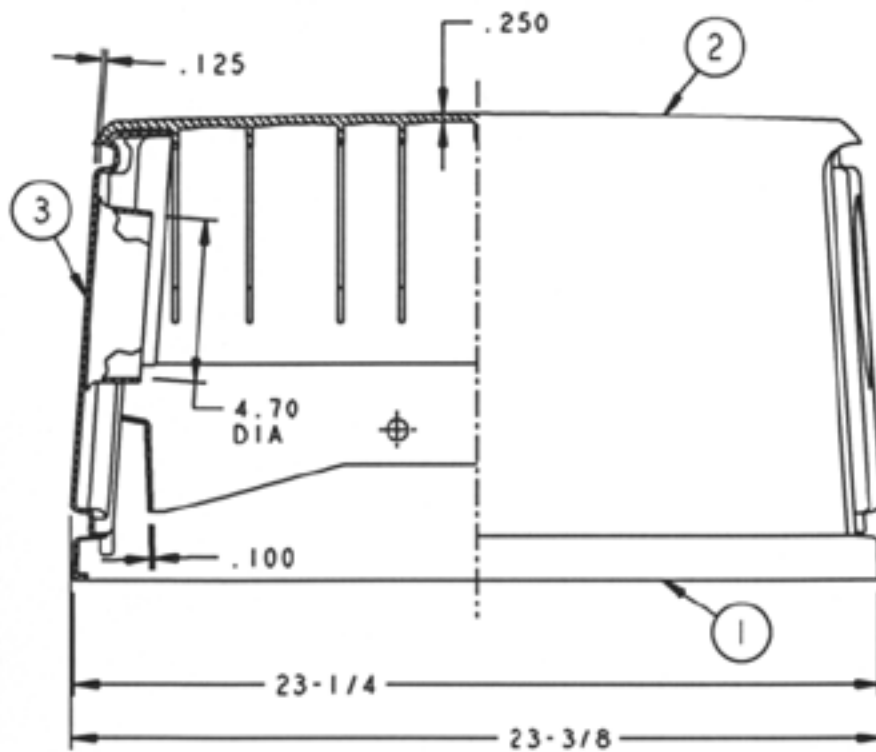


| No. | Description/Materials |
|-----|-----------------------|
| 1 | HOUSING - PE |
| 2 | HOOD - PE |
| 3 | PANEL - PE |



total part wt. 13.4 LBS

capacity _____

agency approvals _____

miscellaneous _____

Product Specifications

Rubbermaid RUBBERMAID
COMMERCIAL PRODUCTS INC.

product name HOODED TOP WITH BOTTLE RECYCLE PANEL

product no. 256L revision 0

product no. 256L