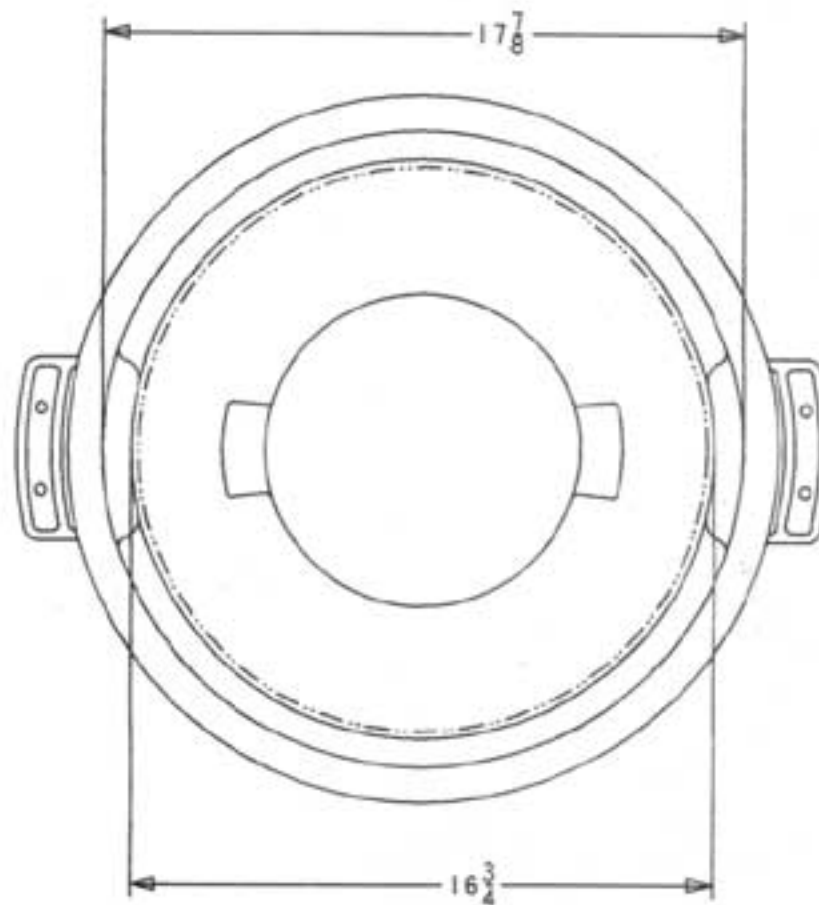


No.	Description/Materials
1	BRUTE CONT. - PE



TOP VIEW

total part wt. 5.8 LBS.  
 capacity 20 GALS.  
 \_\_\_\_\_  
 \_\_\_\_\_

agency approvals NSF STD. #2 & #21, USDA MEAT & POULTRY  
 miscellaneous \_\_\_\_\_  
 \_\_\_\_\_  
 \_\_\_\_\_

Product Specifications  
 RUBBERMAID COMMERCIAL PRODUCTS INC.  
 product name BRUTE CONTAINER  
 product no. 2620 revision 5

Product No. 2620