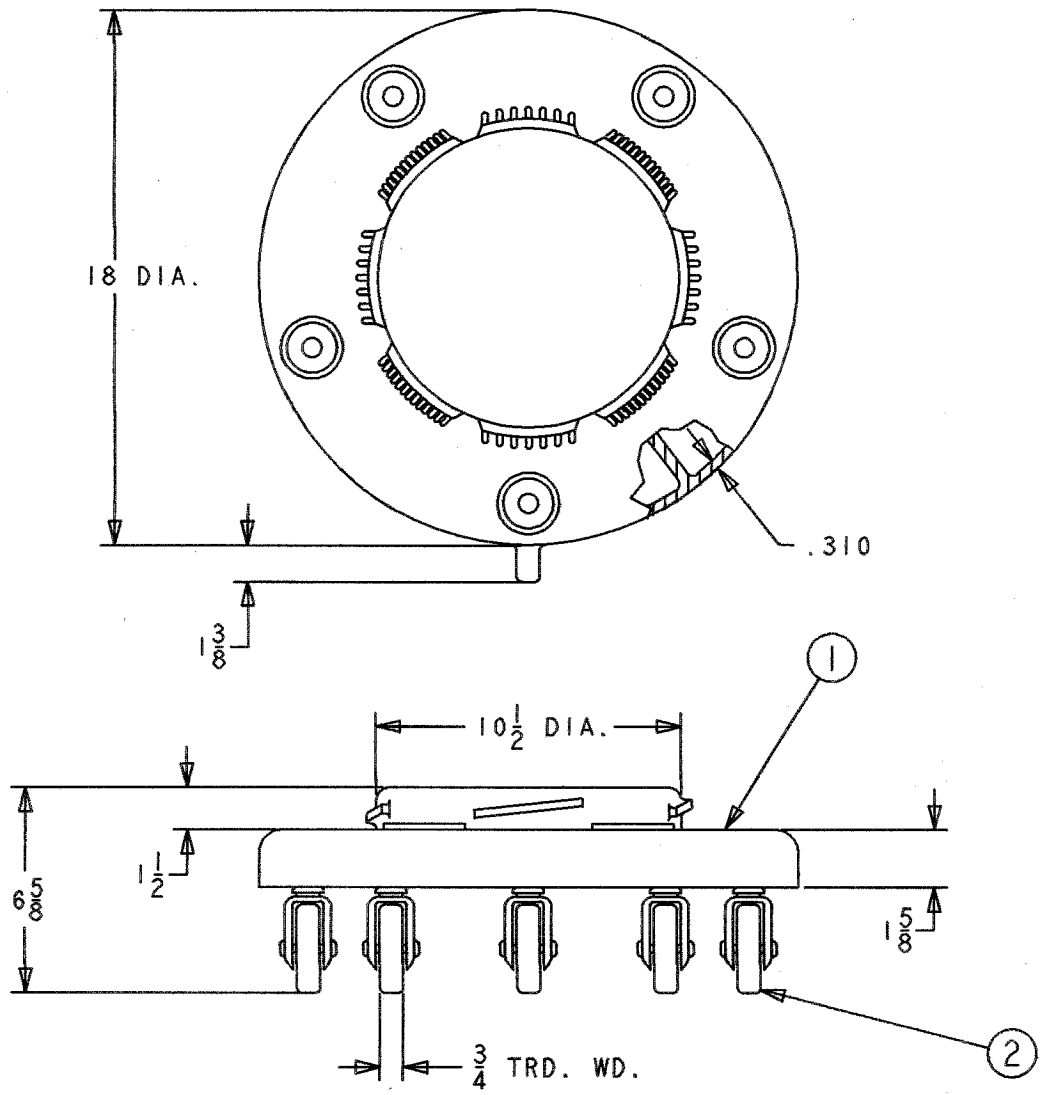
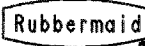


No.	Description/Materials
1	DOLLY - FOAMED PE
2	3" DIA. SWVL. CSTR.-RBR/STL



total part wt. 7.0 LBS.
 capacity _____

agency approvals NSF STD. #2 & #21
 miscellaneous FITS 20, 32, 44, 55 GAL. CONT.

Product Specifications
 RUBBERMAID COMMERCIAL PRODUCTS INC.
 product name CONVERSION DOLLY
 product no. 2640 revision 4

product no. 2640