

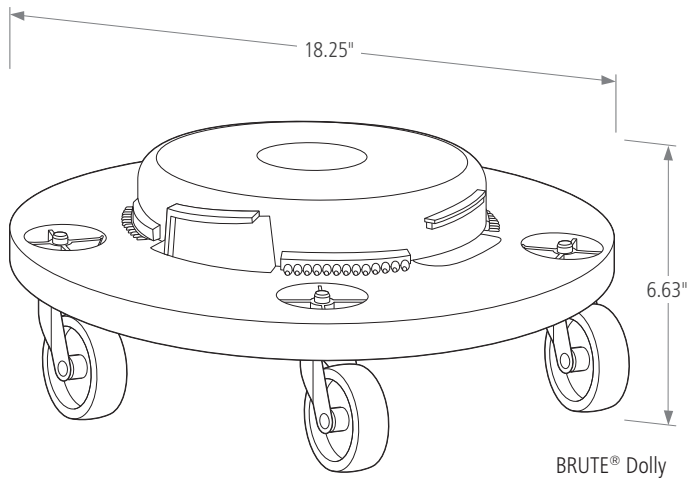
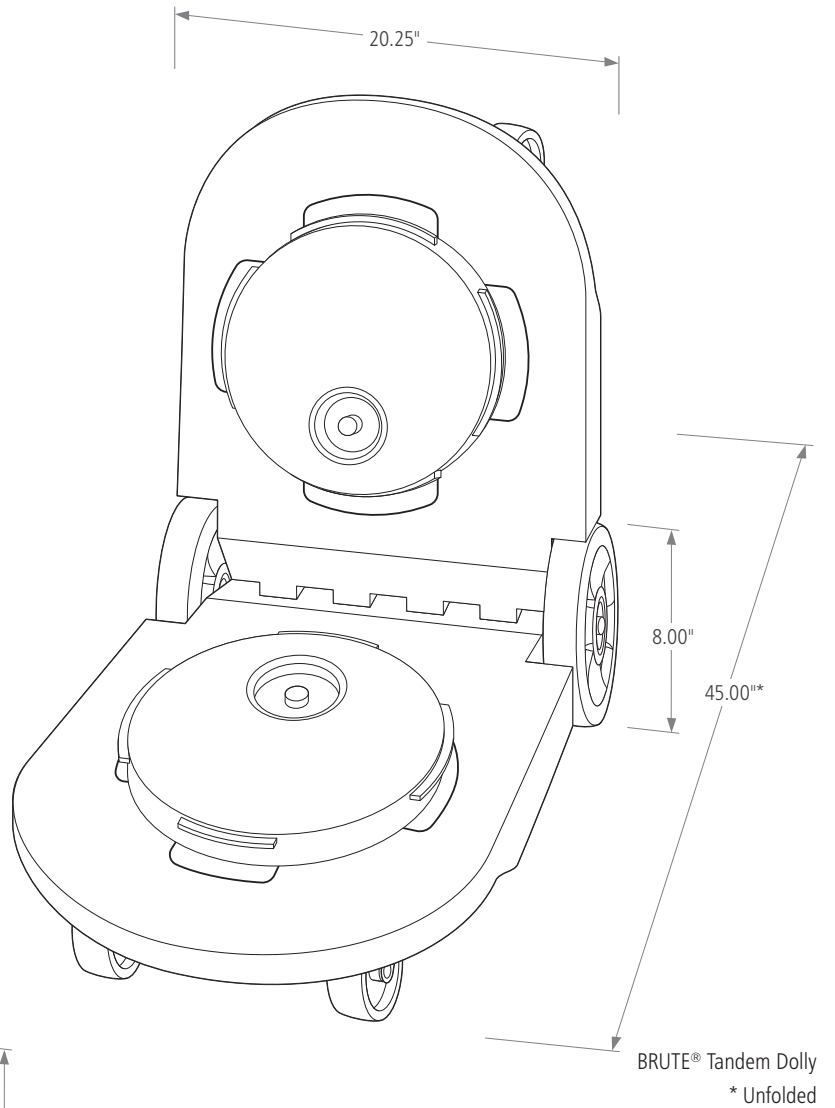


BRUTE® DOLLIES

BRUTE® dollies are designed to be durable, long-lasting, and are able to withstand the toughest commercial environments while simplifying everyday tasks.

Features and Benefits:

- Rugged casters help keep fully loaded BRUTE® containers stable, even on rough and uneven floors, and swivel smoothly for easy maneuvering
- Twist locks hold containers securely in place and unlock easily for unloading, allowing for easy transport
- Structural foam construction provides superior strength and durability



BRUTE® DOLLIES

SKU #	DESCRIPTION	COLOR	FITS	LENGTH	WIDTH	HEIGHT	DIAMETER	PACK SIZE
				IN	IN	IN	IN	
FG264000BLA	BRUTE® DOLLY	BLACK	ALL	-	-	6.63	18.25	2
FG264043BLA	BRUTE® QUIET DOLLY	BLACK	ALL	-	-	6.63	18.25	2
FG264600BLA	BRUTE® TANDEM DOLLY	BLACK	ALL	45.00	20.25	8.00	-	1

