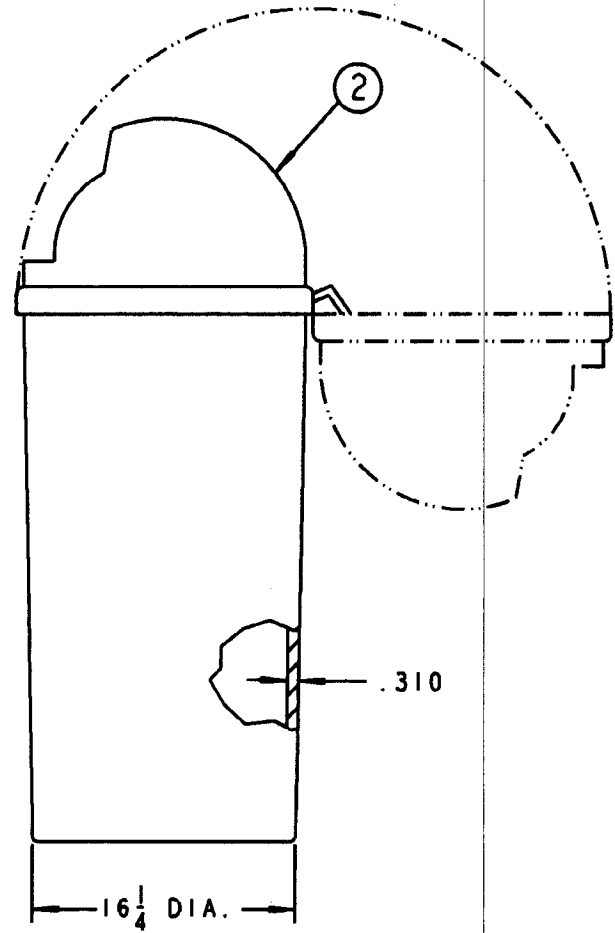
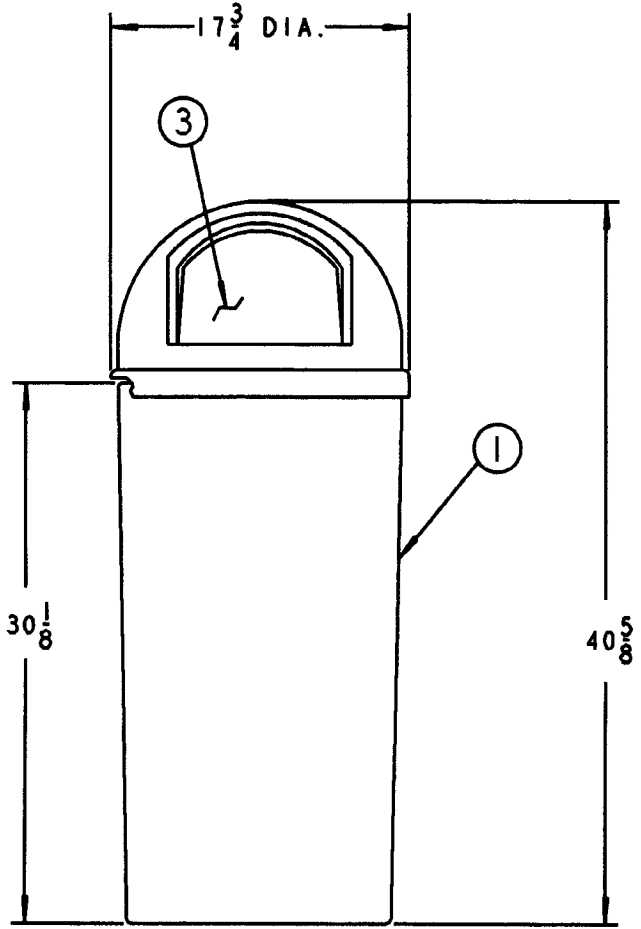
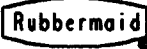


No.	Description/Materials
1	BASE - HDPE
2	DOVE - HDPE
3	DOOR - HDPE



total part wt. 20.7 LBS.
 capacity 21.0 GALS.

agency approvals FM 6921, CSFM
 miscellaneous USE LINER P/N 3552

Product Specifications
 RUBBERMAID COMMERCIAL PRODUCTS INC.
 product name MARSHAL CONTAINER
 product no. 8170-88 revision 8

product no. 8170-88