

CU50 Service Parts

This is the illustrated parts list for the CU50 Cube Ice Machines.

When ordering a service part, always refer to the complete model number of the equipment being repaired to be sure of obtaining the correct part. Many times there are slight differences between models, and having the complete model number will aide in selecting the correct part.

The cabinet changed in November 2014 to include a service panel.

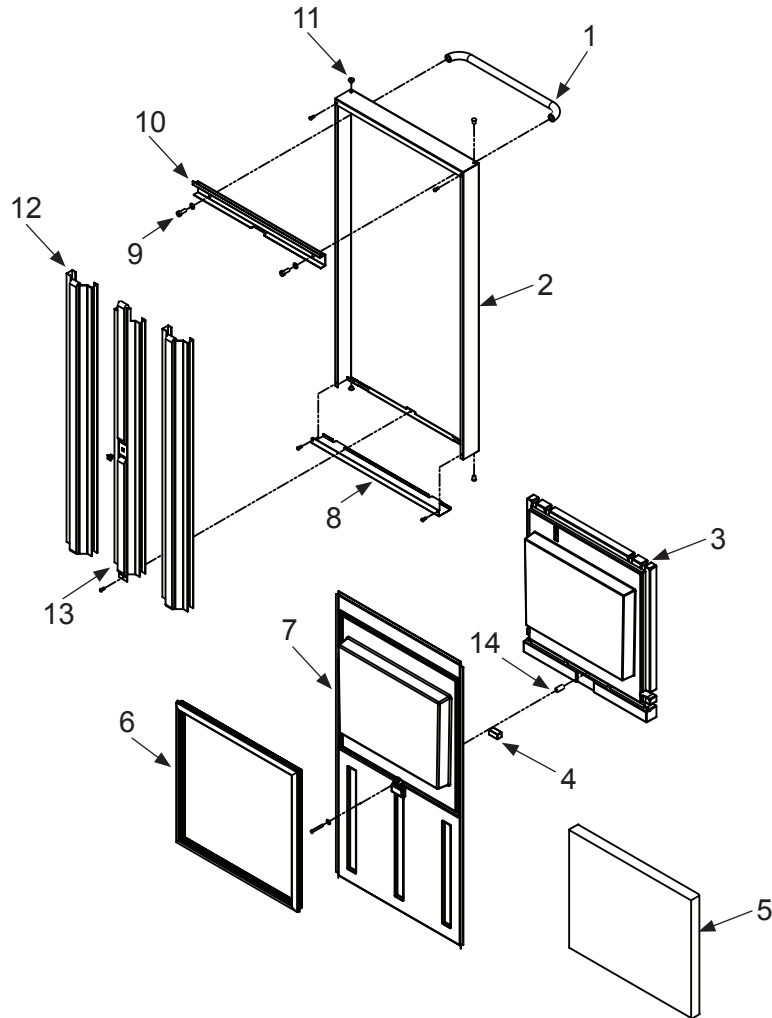
In early 2019 the compressor changed along with some of the EEPROM values in the controller represented in the C series: SCCG50MC-1 and SCCP50MC-1

Table of Contents

| | |
|------------------------------------|--------|
| Door Components | Page 2 |
| Cabinet | Page 3 |
| Reservoir and Spray Pump | Page 4 |
| Refrigeration | Page 5 |
| Under Bin Parts | Page 6 |
| Control System | Page 7 |
| Schematic Diagram | Page 8 |
| Wiring Diagram | Page 9 |

CU50 Service Parts

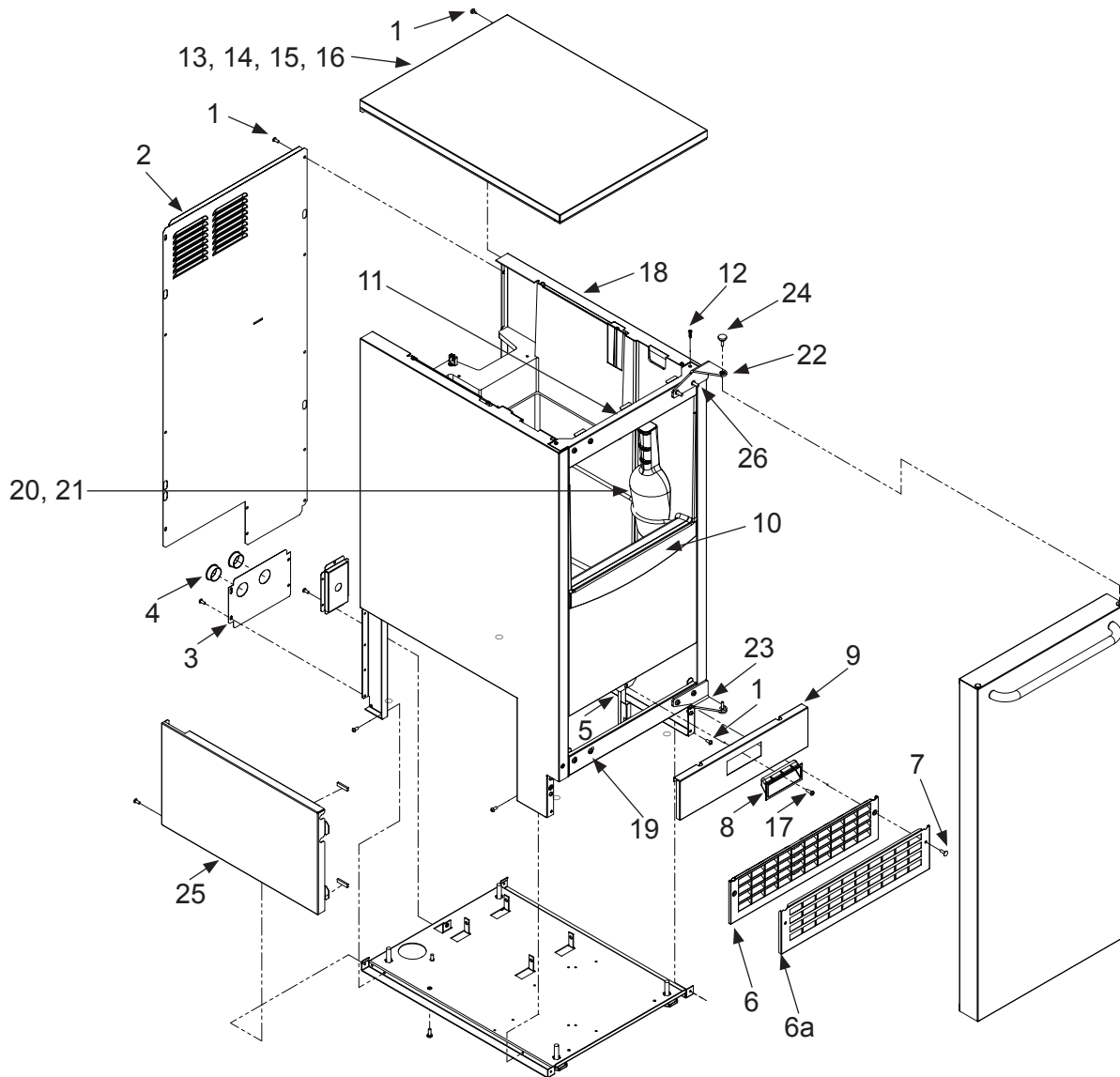
Door Components



| Item Number | Part Number | Description |
|-------------|-------------|--|
| 1 | 02-3847-01 | Handle, door |
| 2 | A39678-001 | Door panel |
| 3 | 02-4445-01 | Insulation, upper |
| 4 | 11-0587-01 | Magnet, door |
| 5 | 02-4570-01 | Insulation, lower |
| 6 | 13-0949-03 | Door gasket |
| 7 | 02-4569-01 | Liner, door |
| 8 | A39676-001 | Door bottom |
| 9 | 03-3814-02 | Screw, handle |
| 10 | A39675-001 | Bracket, door handle |
| 11 | 03-3927-01 | Bushing, door hinge, same on bottom |
| 12 | A39677-001 | Door support |
| 13 | A39677-002 | Door support, center |
| 14 | 03-3926-01 | Spacer |
| 15 | A39860-001 | Complete door, assembled. Includes all above parts |

CU50 Service Parts

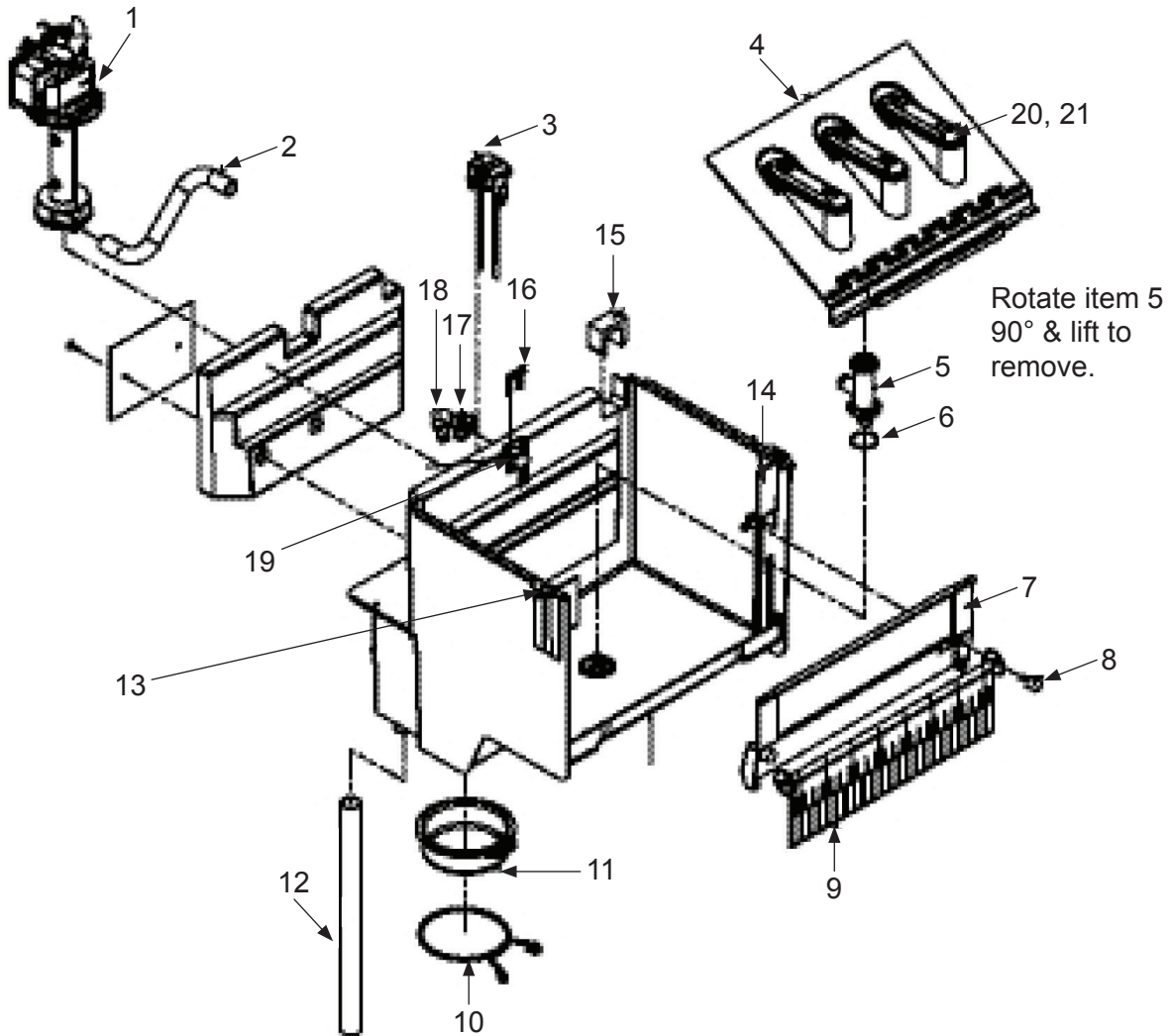
Cabinet



| Item Number | Part Number | Description | Item Number | Part Number | Description |
|-------------|-------------|-------------------------|-------------|-------------|-----------------------------|
| 1 | 03-1531-01 | Screw | 14 | 02-4438-02 | Gasket strip - across |
| 2 | A39363-001 | Back panel | 15 | 02-4426-01 | Insulation pad |
| 3 | A39389-001 | Utility routing bracket | 16 | A39362-003 | Top panel, SS |
| 4 | 12-1213-11 | Snap bushing | 17 | 03-1403-86 | Screw |
| 5 | A39392-001 | Srv panel mntg bracket | 18 | A39618-002 | SS cabinet & bin |
| 6 | 02-4390-01 | Kickplate | 19 | A39700-001 | Bottom hinge panel, SS |
| 6a | A39469-001 | SS kickplate | 20 | A34816-001 | Bin stat bracket/scoop hldr |
| 7 | 03-1403-86 | Screw | 21 | 02-4391-03 | Scoop |
| 8 | 02-4441-01 | Panel handle | 22 | 02-4568-02 | Hinge |
| 9 | A39381-003 | Service panel, SS | 23 | 02-4568-01 | Hinge |
| 10 | 02-4392-01 | Bin edging | 24 | 03-3834-01 | Pin, hinge |
| 11 | A39699-001 | Top hinge panel, SS | 25 | A39615-001 | Service panel |
| 12 | 03-3836-03 | Screw | 26 | 03-3818-01 | Hinge mounting screw |
| 13 | 02-4438-01 | Gasket - for edges | | | |

CU50 Service Parts

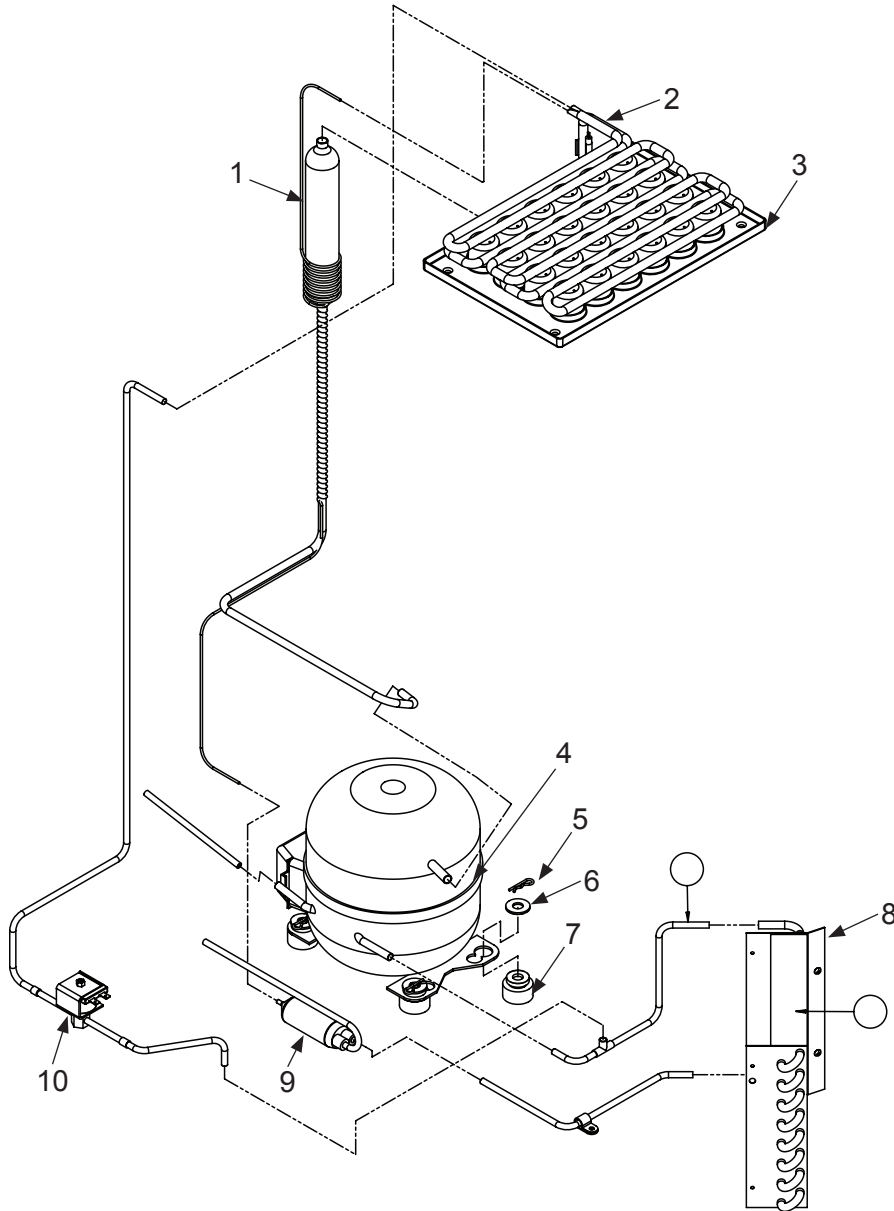
Reservoir and Spray Pump



| Item Number | Part Number | Description | Item Number | Part Number | Description |
|-------------|-------------|--------------------------|-------------|-------------|--|
| 1 | 12-2986-21 | Water pump, incl item 1a | 15 | 02-4475-01 | Grommet |
| 1a | 02-1719-00 | Fan blade | 16 | 02-4381-03 | Clip |
| 2 | 02-4379-01 | Pump discharge hose | 17 | 13-0617-04 | O-ring |
| 3 | A39030-023 | Water probe | 18 | 02-4381-01 | Barbed fitting |
| 4 | 02-4371-03 | Spray platform | 19 | 02-4381-02 | Spout |
| 5 | 02-4368-01 | Water Tee | 20 | 02-4373-01 | O-ring |
| 6 | 13-0617-11 | O-ring | 21 | 02-4370-21 | Spray nozzle, kit. Set of 3 nozzles, o-rings, screws and nuts. |
| 7 | 02-4365-01 | Front bracket | | | |
| 8 | 03-3892-01 | Thumb screw | | | |
| 9 | A39357-001 | Curtain | | | |
| 10 | 02-4383-01 | Clamp | | | |
| 11 | 02-4369-01 | Drain cap | | | |
| 12 | 02-4428-01 | Drain tube | | | |
| 13 | 02-4375-01 | Evap bracket, left | | | |
| 14 | 02-4375-02 | Evap bracket, right | | | |

CU50 Service Parts

Refrigeration

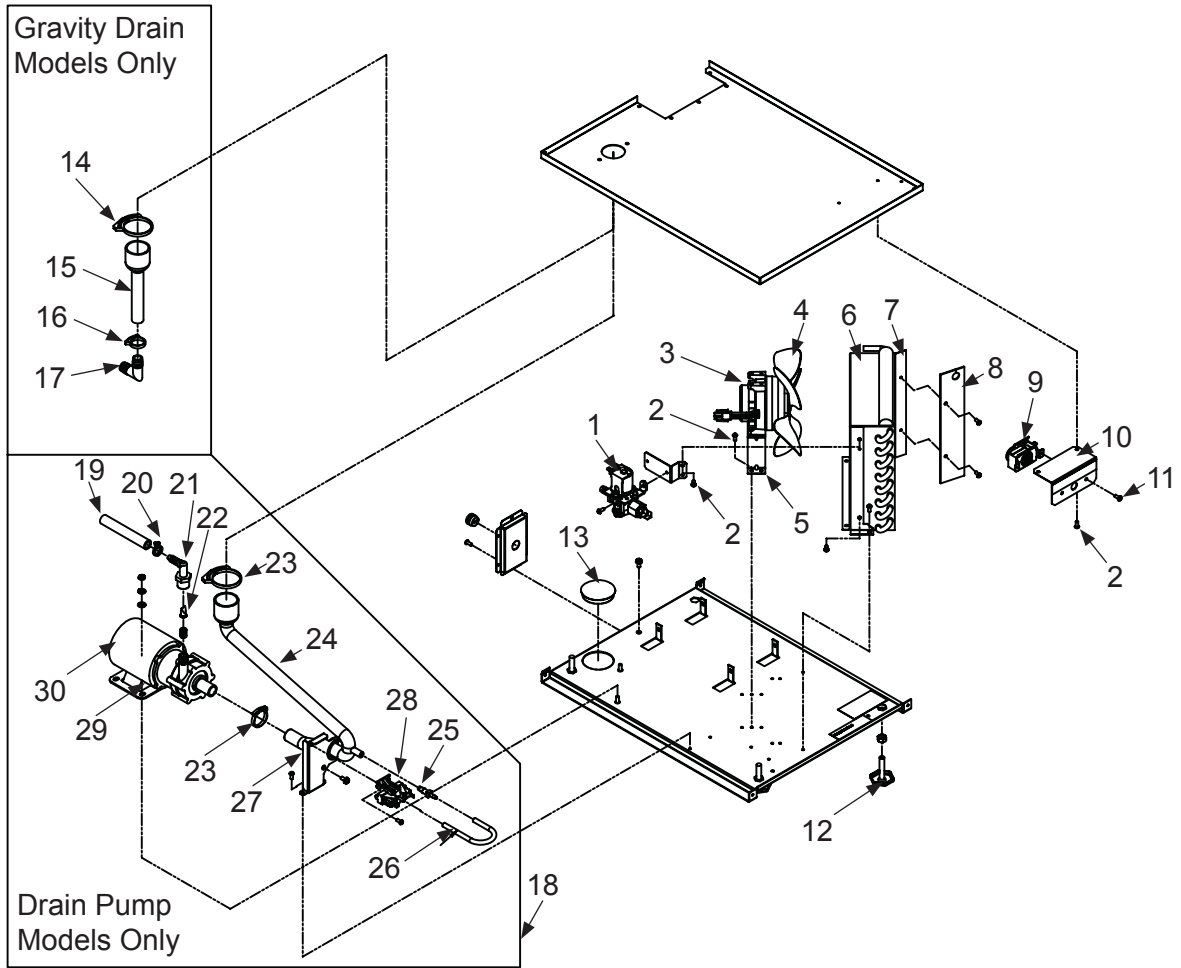


| Item Number | Part Number | Description | Item Number | Part Number | Description |
|-------------|-------------|--|-------------|-------------|-----------------|
| 1 | A39384-001 | Suction line accumulator assy | 4a | 18-8939-51 | Overload |
| 2 | 11-0577-01 | Thermistor | 4b | 18-8939-52 | A,B Model Relay |
| | 03-1711-01 | Thermistor holder | 5 | 03-3821-01 | Clip |
| 3 | 02-4376-03 | Evaporator | 6 | 03-1407-08 | Washer |
| 4 | 18-8939-21 | Compressor* A Model Tecumseh TPB0413Y-AA | 7 | 18-4700-28 | Grommet |
| | 18-8939-51 | A-C Model Overload | 8 | 18-8940-01 | Condenser |
| | 18-8939-52 | A,B Model Relay | 9 | 02-4416-01 | Drier |
| | 18-8994-21 | Compressor* C Model Tecumseh AE3425Y-AA1A | 10 | 11-0562-21 | Hot gas valve |
| | 18-8994-52 | C Model Relay | 10a | 11-0562-22 | HGV coil |

Compressor includes overload, relay and drier

CU50 Service Parts

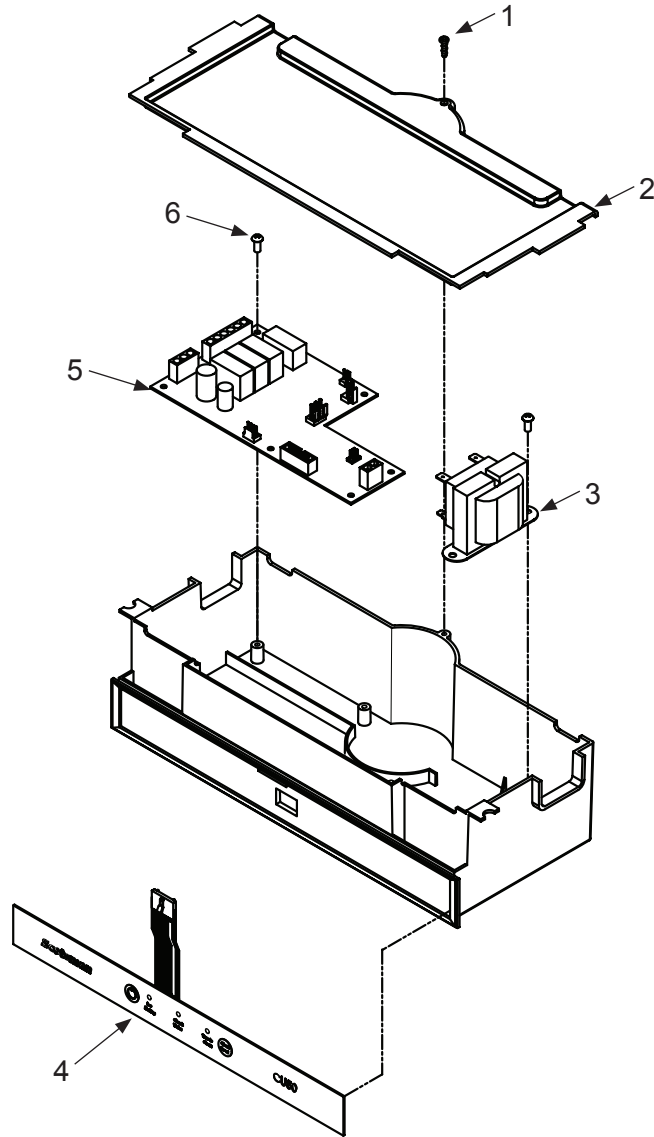
Under Bin Parts



| Item Number | Part Number | Description | Item Number | Part Number | Description |
|-------------|-------------|------------------------------|-------------------|-------------|--------------------|
| 1 | 12-2990-01 | Inlet water sol valve | 18 | A39462-021 | Pump kit |
| 2 | 03-1531-01 | Screw | 19 | A37334-001 | Discharge hose |
| 3 | 12-3024-01 | Fan motor | 20 | 02-0534-02 | Hose clamp |
| 4 | 02-4197-01 | Fan blade | 21 | 02-3522-01 | Elbow |
| 5 | A39556-001 | Fan motor bracket | 22 | 02-3374-01 | Check valve |
| 6 | A39460-001 | Fan shroud | 23 | 02-2814-13 | Hose clamp |
| 7 | 13-0909-01 | Gasket, order 1 & cut to fit | 24 | 02-4413-01 | Drain tube |
| 8 | 02-4450-01 | Air baffle | 25 | 02-3406-01 | Barbed connector |
| 9 | 11-0617-21 | Thermostat | 26 | 05-0591-01 | Switch hose |
| 10 | A39379-001 | Thermostat bracket | 27 | A39370-001 | Switch bracket |
| 11 | 03-1403-16 | Screw | 28 | 11-0504-01 | Pressure switch |
| 12 | 03-1608-01 | Leg leveler | 29 | 03-3904-01 | Spring |
| 12a | 02-4415-01 | Leg cap | 30 | 12-2503-21 | Pump & motor only |
| 13 | 02-1875-18 | Hole plug | <i>Not Shown:</i> | | |
| 14 | 02-2814-13 | Hose clamp | NS1 | 12-3001-01 | Drain pump harness |
| 15 | 02-4412-01 | Drain hose | | | |
| 16 | 02-2814-08 | Hose clamp | | | |
| 17 | 16-0671-01 | Elbow | | | |

CU50 Service Parts

Control System

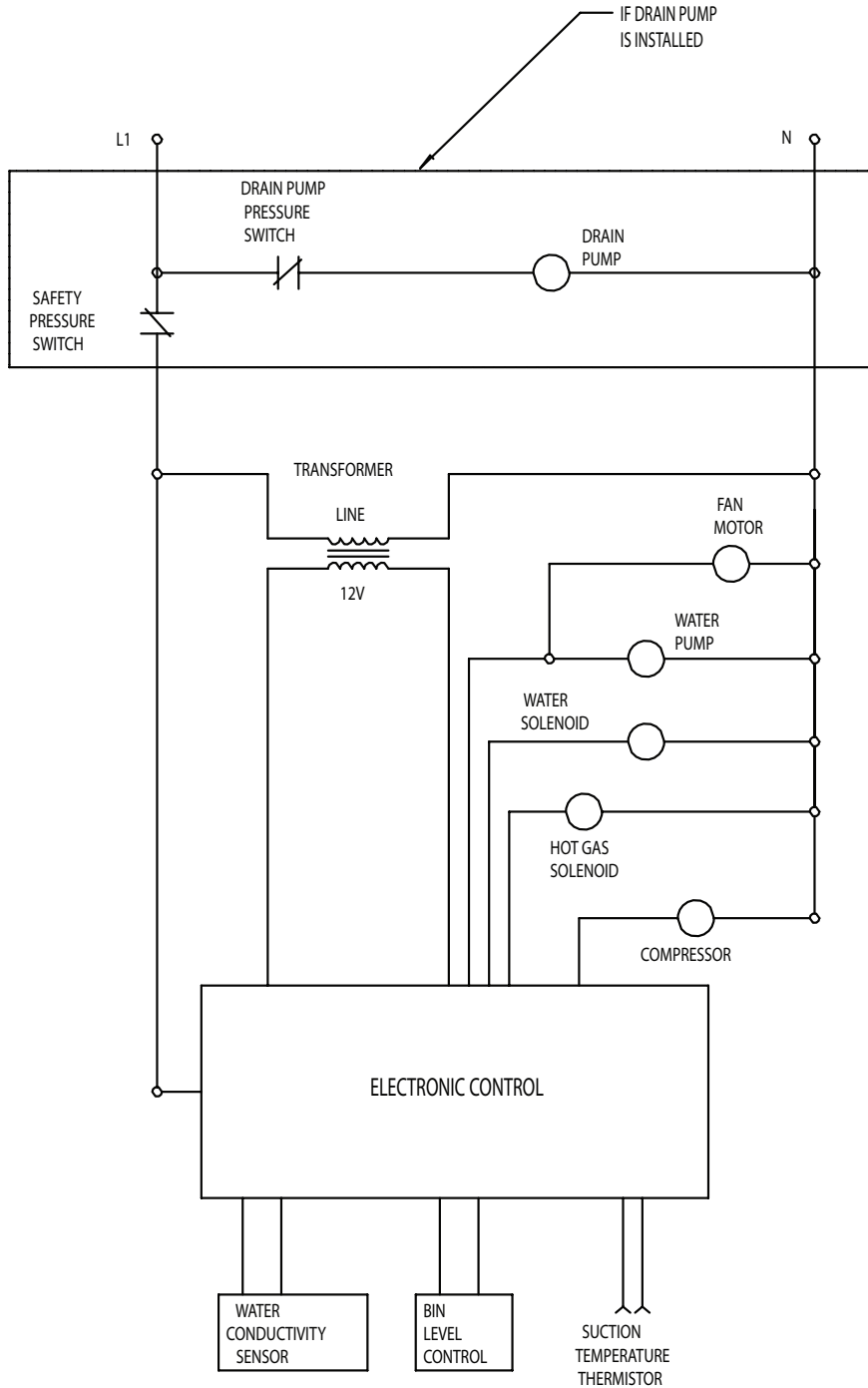


| Item Number | Part Number | Description |
|-------------|-------------|----------------------|
| 1 | 03-3836-03 | Screw |
| 2 | 02-4386-01 | Cover |
| 3 | 12-2924-01 | Transformer |
| 4 | 11-0588-01 | Switch panel |
| | 11-0573-25 | Controller A,B Model |
| 5 | 11-0573-52 | Controller C Model |
| 6 | 03-1531-01 | Screw |

| Item Number | Part Number | Description |
|--|-------------|---------------------------|
| <i>Not Shown:</i> | | |
| NS1 | 12-3003-01 | Bin stat harness |
| NS2 | 12-3000-02 | Hi voltage harness, lower |
| NS3 | 12-3000-01 | Hi voltage harness, upper |
| Note: If replacing the lower harness, always replace the upper one too. | | |
| NS4 | 12-2992-01 | Water sensor harness |

CU50 Service Parts

Schematic Diagram



SWITCHES ON THIS UNIT
SHOWN IN FREEZE CYCLE
WITH DRAIN PUMP IN OPERATION
AND BIN DOOR CLOSED

CU50 Service Parts

Wiring Diagram

