



SERVICE PARTS MANUAL
CIM SERIES
CIM0835, CIM0836, CIM1135 CIM1136 and CIM1137



This parts list contains the service parts available for the following CIM Series.

CIM0836 208-230/60/1
CIM0836G 208-230/60/1

CIM0835 220-240/50/1

CIM1136 208-230/60/1
CIM1137 208-230/60/3

CIM1135 220-240/50/1

Model Number Example

CIM0836HA

CIM = **C**uber **I**ce **M**achine

08 = 800 lb, in 24 hours capacity

3 = 30 inch wide cabinet

0 = 115 Volt, **5** = 220-240/50/1 **6** = 208-230/60/1 Volt

H = Half Cube Size, **F** = Full Cube Size **G**=Grande Cube Size

A = Air Cooled Condenser, **W** = Water Cooled Condenser **R**=Remote Condenser

Check the model number on the data plate and refer to the correct listing for the specific component.

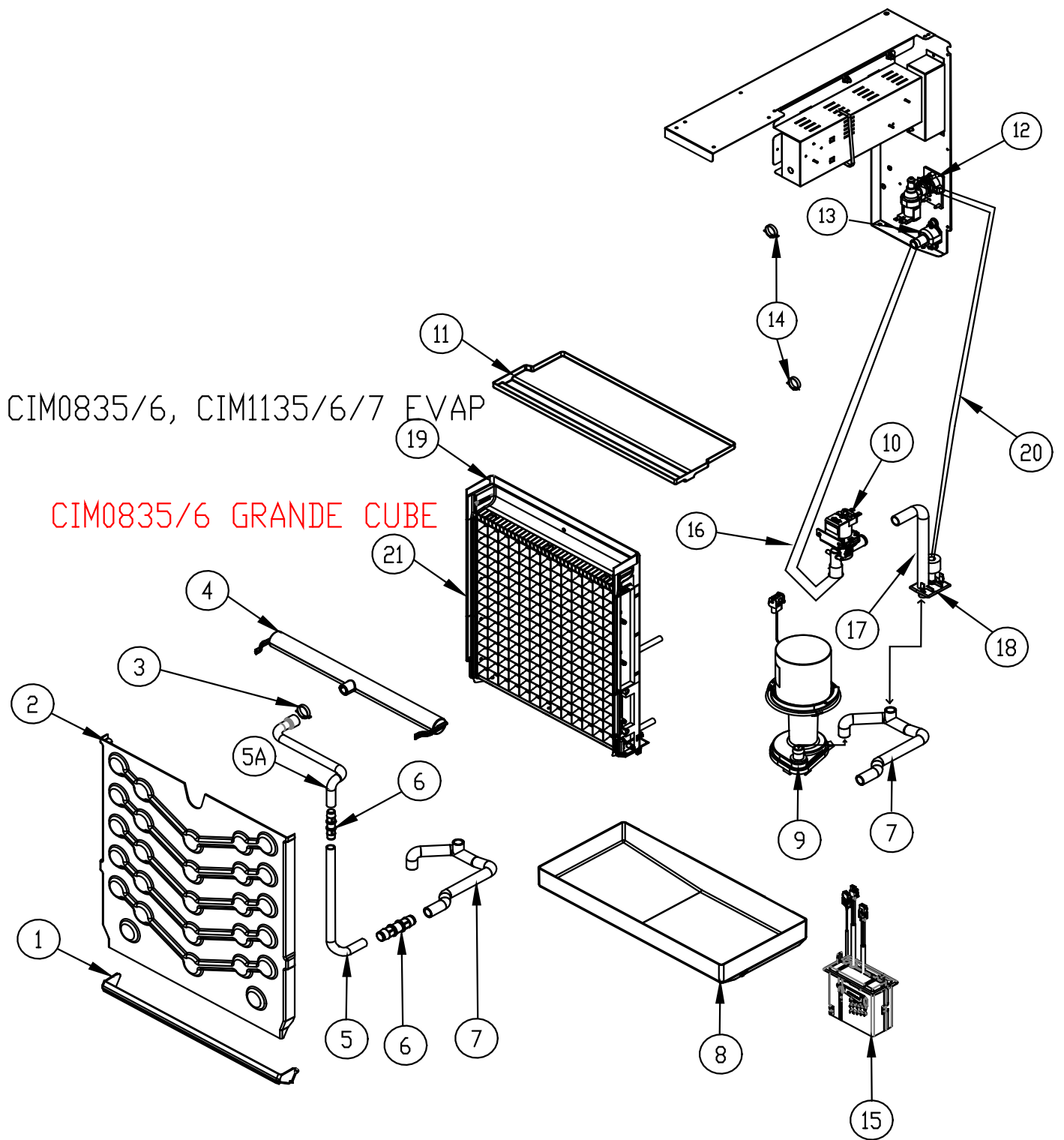
Check carefully that the correct part is identified and ordered.

Table of Contents	Page 1
Cabinet	Page 2-3
Water System	Page 4-5
Air Cooled Condenser	Page 6-7
Water Cooled Condenser	Page 8-9
Remote Condenser	Page 10-11
Electrical	Page 12-13

Ice-O-Matic
11100 East 45th Ave.
Denver Co. 80239
800-423-3367

Item No.	Model Number			Description
	CIM0836		CIM1136	
1	2031544-01S		2031544-01S	2031544-01S Front Panel
2	9031237-01P		9031237-01P	9031237-01P Front Panel Screws
3	3022007-05		3022007-05	3022007-05 Left Side Side Panel
4	2101496-02S		2101496-02S	2101496-02S Top Panel-Air Cooled
5	3022012-03		3022012-03	3022012-03 Top Panel-Remote and Water Cooled
6	9031046-01P		9031046-01P	9031046-01P Rear Cover Screws
7	3013634-01		3013634-01	3013634-01 Rear Cover
8	3022007-06		3022007-06	3022007-06 Right Side Panel-Remote and Water Cooled
9	3022007-04		3022007-04	3022007-04 Right Side Panel-Air Cooled
10	3013674-01		3013674-01	3013674-01 Junction Box Cover
11	9031046-01P		9031046-01P	9031046-01P Junction Box Screw
12	2021801-01		2021801-01	2021801-01 Left Front Corner Post
13	2021801-02		2021801-02	2021801-02 Right Front Corner post
14	3013637-02		3013637-02	3013637-02 Brace 30 Inch
15	3013636-01		3013636-01	3013636-01 Rear Brace
16	9051725-02		9051725-02	9051725-02 Base
17	2021800-01		2021800-01	2021800-01 Front Left Brace
18	2021800-02		2021800-02	2021800-02 Front Right Brace
19	2021798-01		2021798-01	2021798-01 Right Side Framework 30"Assembly
20	2021799-01		2021799-01	2021799-01 Left Side Framework 30"Assembly
21	9011369-02		9011369-02	9011369-02 Elevation Skid 30 Inch
22	9011378-01		9011378-01	9011378-01 Carton Liner 30 Inch
23	9051765-01		9051765-01	9051765-01 Shipping Bracket 2 Req. (Field Installed)
24	9011374-05		9011374-05	9011374-05 Carton, Elevation 30 Inch
25	9011320-06		9011320-06	9011320-06 Corner Post (Each), Elevation, (4 Required)
	9031026-04P		9031026-04P	9031026-04P Pop Rivets Not Shown (Package of 10)

	CIM0835		CIM1135		Description
1	2031544-01S		2031544-01S		Front Panel
2	9031237-01P		9031237-01P		Front Panel Screws
3	3022007-05		3022007-05		Left Side Side Panel
4	2101496-02S		2101496-02S		Top Panel-Air Cooled
5	3022012-03		3022012-03		Top Panel-Remote and Water Cooled
6	9031046-01P		9031046-01P		Rear Cover Screws
7	3013634-01		3013634-01		Rear Cover
8	3022007-06		3022007-06		Right Side Panel-Remote and Water Cooled
9	3022007-04		3022007-04		Right Side Panel-Air Cooled
10	3013674-01		3013674-01		Junction Box Cover
11	9031046-01P		9031046-01P		Junction Box Screw
12	2021801-01		2021801-01		Left Front Corner Post
13	2021801-02		2021801-02		Right Front Corner post
14	3013637-02		3013637-02		Brace 30 Inch
15	3013636-01		3013636-01		Rear Brace
16	9051725-02		9051725-02		Base
17	2021800-01		2021800-01		Front Left Brace
18	2021800-02		2021800-02		Front Right Brace
19	2021798-01		2021798-01		Right Side Framework 30"Assembly
20	2021799-01		2021799-01		Left Side Framework 30"Assembly
21	9011369-02		9011369-02		Elevation Skid 30 Inch
22	9011378-01		9011378-01		Carton Liner 30 Inch
23	9051765-01		9051765-01		Shipping Bracket 2 Req. (Field Installed)
24	9011374-05		9011374-05		Carton, Elevation 30 Inch
25	9011320-06		9011320-06		Corner Post (Each), Elevation, (4 Required)
	9031026-04P		9031026-04P		Pop Rivets Not Shown (Package of 10)



The Model Number of the machine has a designator for the Cube Size

Example: **CIM0836FA** **F = Full Cube**

CIM0836HA **H = Half Cube**

CIM0836GA **G = GRANDE Cube**

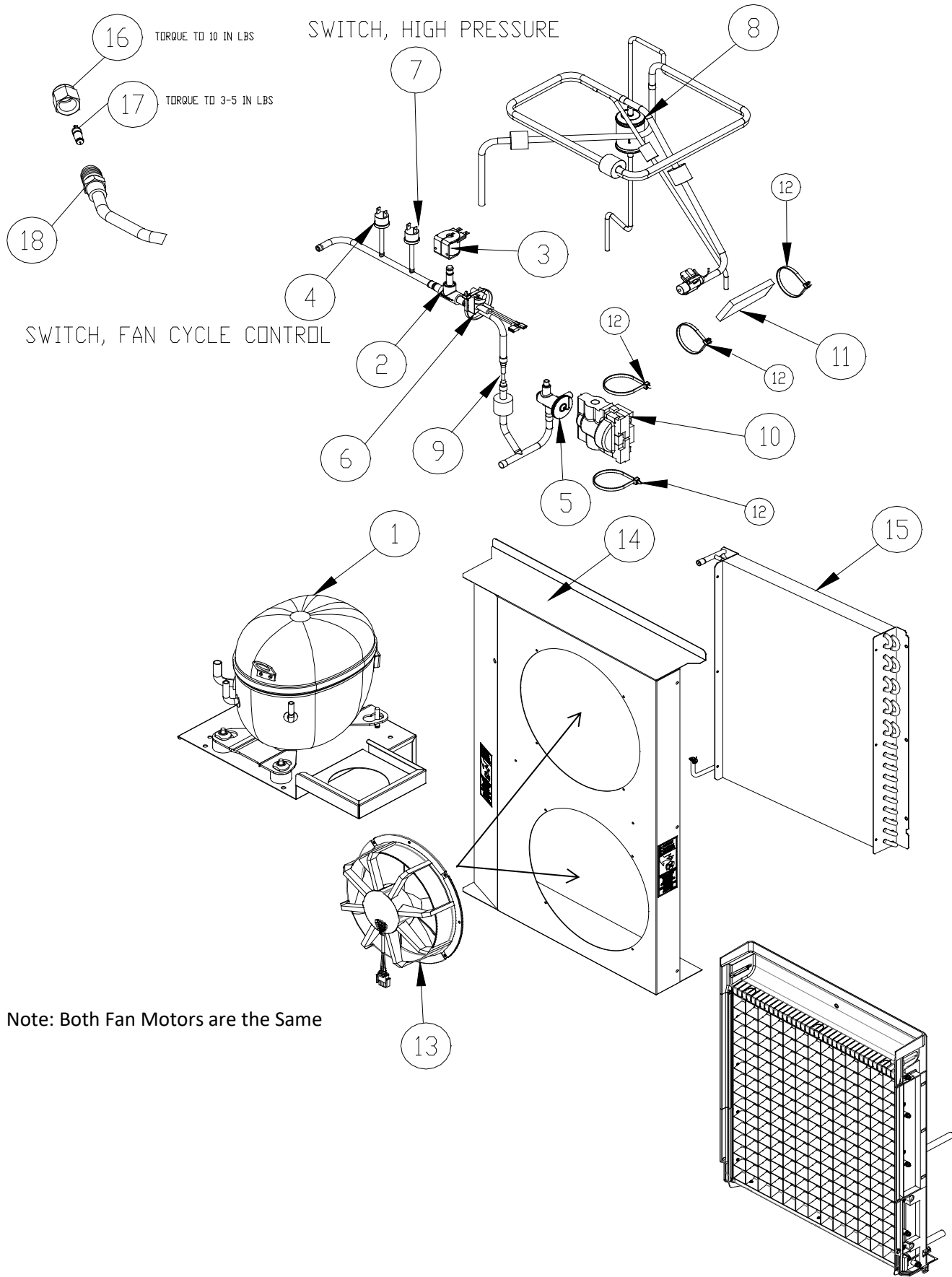
Note: **G=Grande Cube in the Machine Model Number 60 hz.**

Item No.	Model Number				Description	
	CIM0836	CIM0836G		CIM1136		CIM1137
1	9051736-01	9051736-01		9051736-01	9051736-01	Lower Curtain Assembly
2	9051760-01	9051760-01		9051760-01	9051760-01	Evaporator Cover
3	9021010-05	9021010-05		9021010-05	9021010-05	Hose Clamp, Plastic
4	9051766-01	9051766-01		9051766-01	9051766-01	Water Distribution Tube Assembly
5	9051749-05	9051749-05		9051749-05	9051749-05	Water Tube, Side
5A	9051700-01	9051700-01		9051700-01	9051700-01	Water Tube Upper
6	9091177-01	9091177-01		9091177-01	9091177-01	Coupler, Straight, 5/8 I.D. Tubing
7	9051748-01	9051748-01		9051748-01	9051748-01	Water Tube, Sump
8	9051737-01	9051737-01		9051737-01	9051737-01	Sump/Water Trough
9	2062336-03S	2062336-03S		2062336-03S	2062336-03S	Water Pump
10	9041105-05	9041105-05		9041105-05	9041105-05	Purge Valve
11	9051738-01	9051738-01		9051738-01	9051738-01	Top Cover
12	9041108-02	9041108-02		9041108-02	9041108-02	Water Inlet Valve
13	9091140-01	9091140-01		9091140-01	9091140-01	Drain Fitting
14	9021010-04	9021010-04		9021010-04	9021010-04	Hose Clamp, Plastic
15	1051224-01	1051224-01		1051224-01	1051224-01	Float Switch Assembly (Includes Instructions)
16	3051269-30S	3051269-30S		3051269-30S	3051269-30S	Purge Valve Tubing to Drain
17	9051541-01	9051541-01		9051541-01	9051541-01	Purge Valve Tube to Inlet Outlet Bracket
18	9051739-01	9051739-01		9051739-01	9051739-01	Inlet Outlet Bracket
19	1051223-05			1051223-05	1051223-05	Evaporator-FULL Cube = 7/8 x 7/8 x 7/8
19	1051223-06			1051223-06	1051223-06	Evaporator-HALF Cube = 3/8 x 7/8 x 7/8
20	9051270-36	9051270-36		9051270-36	9051270-36	Water Inlet Valve to Inlet Outlet Bracket Tube
21		1051223-07				Evaporator-Grande Cube = 1 1/4 x 1 1/8 x 7/8
	208-230/60/1	208-230/60/1		208-230/60/1	208-230/60/3	← Machine Voltage

The Model Number of the machine has a designator for the Cube Size

Example: CIM0838FA F = Full Cube Cube Size = 7/8 x 7/8 x 7/8
 CIM0836GA G = Grande Cube Cube Size = 1 1/4 x 1 1/8 x 7/8
 CIM0836HA H = Half Cube Cube Size = 3/8 x 7/8 x 7/8

Item No.	Model Number 220-240/50/1				Description
	CIM0835	CIM0835G		CIM1135	
1	9051736-01	9051736-01		9051736-01	Lower Curtain Assembly
2	9051760-01	9051760-01		9051760-01	Evaporator Cover
3	9021010-05	9021010-05		9021010-05	Hose Clamp, Plastic
4	9051766-01	9051766-01		9051766-01	Water Distribution Tube Assembly
5	9051749-05	9051749-05		9051749-05	Water Tube, Side
5A	9051749-03	9051749-03		9051749-03	Water Tube Upper
6	9091177-01	9091177-01		9091177-01	Coupler, Straight, 5/8 I.D. Tubing
7	9051748-01	9051748-01		9051748-01	Water Tube, Sump
8	9051737-01	9051737-01		9051737-01	Sump/Water Trough
9	2062336-03S	2062336-03S		2062336-03S	Water Pump
10	9041105-05	9041105-05		9041105-05	Purge Valve
11	9051738-01	9051738-01		9051738-01	Top Cover
12	9041108-02	9041108-02		9041108-02	Water Inlet Valve
13	9091140-01	9091140-01		9091140-01	Drain Fitting
14	9021010-04	9021010-04		9021010-04	Hose Clamp, Plastic
15	1051224-01	1051224-01		1051224-01	Float Switch Assembly (Includes Instructions)
16	3051269-30S	3051269-30S		3051269-30S	Purge Valve Tubing to Drain
17	9051541-01	9051541-01		9051541-01	Purge Valve Tube to Inlet Outlet Bracket
18	9051739-01	9051739-01		9051739-01	Inlet Outlet Bracket
19	1051223-05			1051223-05	Evaporator-FULL Cube = 7/8 x 7/8 x 7/8
19	1051223-06			1051223-06	Evaporator-HALF Cube = 3/8 x 7/8 x 7/8
20	9051270-36	9051270-36		9051270-36	Water Inlet Valve to Inlet Outlet Bracket Tube
21		1051223-07			Evaporator-Grande Cube = 1 1/4 x 1 1/8 x 7/8



Note: Both Fan Motors are the Same

REFERENCE PAGE 4 AND 5 FOR EVAPORATOR

CIM Service Parts

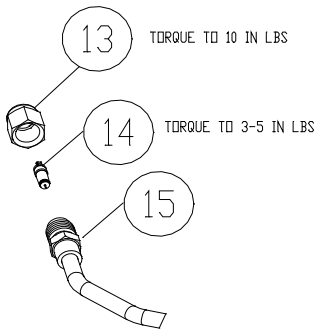
Air Cooled

Note: G=Grande Cube in the Machine Model Number 60 hz.

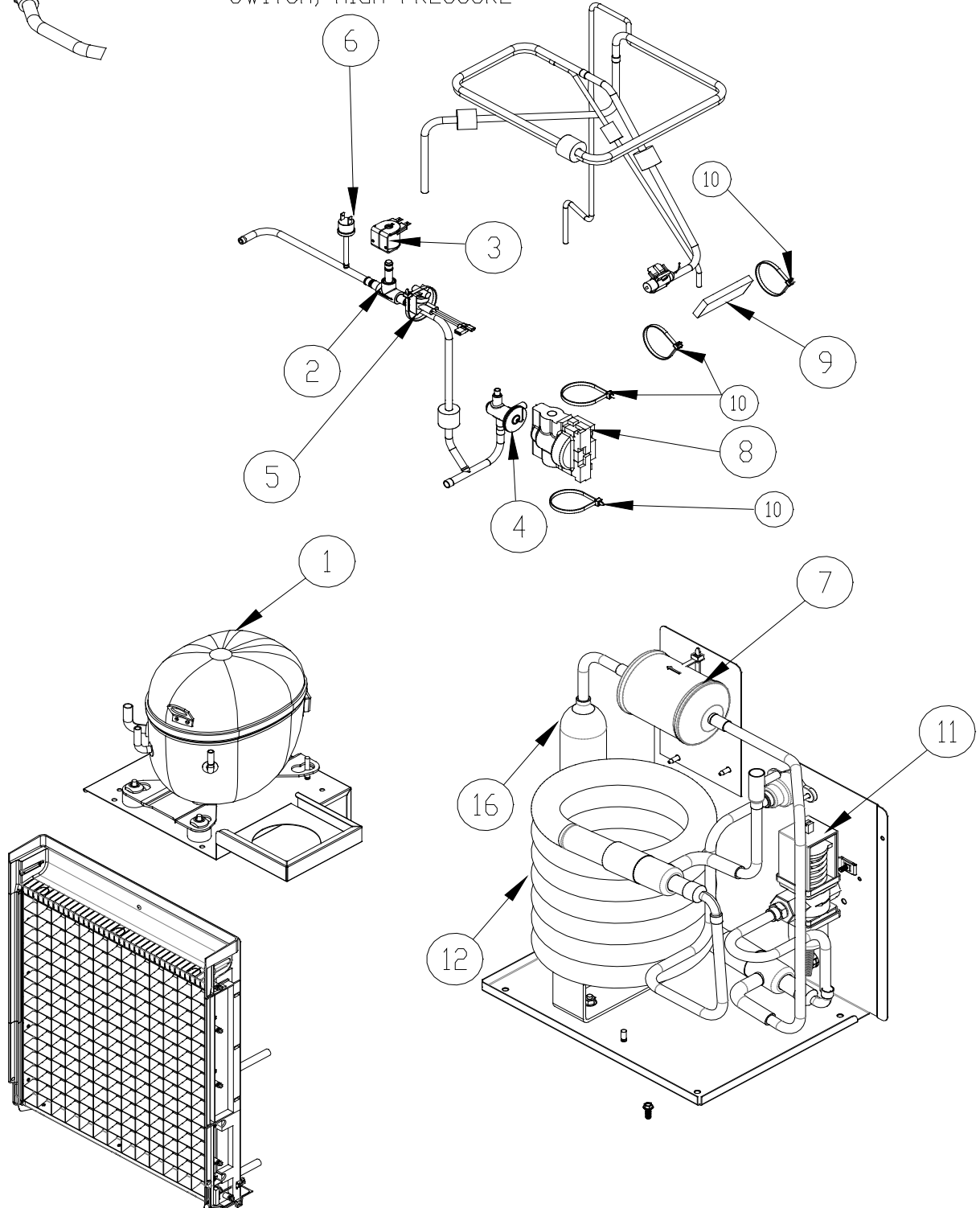
Item No.	Model Number				Description
	CIM0836A	CIM0836GA	CIM1136A	CIM1137A	
1	9181177-11	9181180-11	9181180-11	9181181-11	Compressor Kit
2	9151192-01	9151198-01	9151192-02	9151192-02	Hot Gas Valve Body
3	9151193-02	9151193-02	9151193-02	9151193-02	Hot Gas Valve Coil (240 V)
4	9041106-01	9041106-01	9041106-01	9041106-01	Switch, Fan Cycle
5	9151165-101	9151165-101	9151165-101	9151165-101	TXV
6	9041098-02	9041098-02	9041098-02	9041098-02	High Temp Switch
7	9041111-01	9041111-01	9041111-01	9041111-01	Switch, High Pressure
8	9151163-03	9151163-03	9151163-03	9151163-03	Drier (Included in Compressor Kit)
9	Not Used	Not Used	Not Used	Not Used	Restrictor
10	9131544-01	9131544-01	9131544-01	9131544-01	Insulation, TXV
11	9131143-07	9131143-07	9131143-07	9131143-07	Insulation, Bulb
12	9021021-01	9021021-01	9021021-01	9021021-01	Cable Tie-For TXV and Bulb Insulation
13	9161135-02	9161135-02	9161135-02	9161135-02	Fan Motor Assembly (Both Motors the Same)
14	3013697-02	3013697-02	3013697-02	3013697-02	Fan Shroud
15	9141153-01	9141153-01	9141153-01	9141153-01	Condenser
16	9091086-03	9091086-03	9091086-03	9091086-03	Service Valve Cap
17	9091086-02	9091086-02	9091086-02	9091086-02	Service Valve Core
18	9091086-01	9091086-01	9091086-01	9091086-01	Service Valve Stem
	208-230/60/1	208-230/60/1	208-230/60/1	208-230/60/3	← Machine Voltage
	CIM0836A	CIM0836GA	CIM1136A	CIM1137A	Starting Components (Included in Comp Kit)
	9181177-11	9181180-11	9181180-11	9181181-11	Compressor Kit
	9181003-44	9181003-44	9181003-44	N/A	Start Capacitor
	9181009-16	9181009-16	9181009-16	N/A	Run Capacitor
	9181010-37	9181010-33	9181010-33	N/A	Compressor Relay
	Internal	Internal	Internal	N/A	Overload

Note: G=Grande Cube in the Machine Model Number 50 hz.

Item No.	Model Number 220-240/50/1				Description
	CIM0835A	CIM0835GA	CIM1135A		
1	9181176-11	9181182-11	9181182-11		Compressor Kit
2	9151192-01	9151198-01	9151192-02		Hot Gas Valve Body
3	9151193-02	9151193-02	9151193-02		Hot Gas Valve Coil (240 V)
4	9041106-01	9041106-01	9041106-01		Switch, Fan Cycle
5	9151165-101	9151165-101	9151165-101		TXV
6	9041098-02	9041098-02	9041098-02		High Temp Switch
7	9041111-01	9041111-01	9041111-01		Switch, High Pressure
8	9151163-03	9151163-03	9151163-03		Drier (Included in Compressor Kit)
9	Not Used	Not Used	Not Used		Restrictor
10	9131544-01	9131544-01	9131544-01		Insulation, TXV
11	9131143-07	9131143-07	9131143-07		Insulation, Bulb
12	9021021-01	9021021-01	9021021-01		Cable Tie-For TXV and Bulb Insulation
13	9161135-02	9161135-02	9161135-02		Fan Motor Assembly (Both Motors the Same)
14	3013697-02	3013697-02	3013697-02		Fan Shroud
15	9141153-01	9141153-01	9141153-01		Condenser
16	9091086-03	9091086-03	9091086-03		Service Valve Cap
17	9091086-02	9091086-02	9091086-02		Service Valve Core
18	9091086-01	9091086-01	9091086-01		Service Valve Stem
	CIM0835A	CIM0835GA	CIM1135A		← Machine Voltage
	CIM0835A	CIM0835GA	CIM1135A		Starting Components (Included in Comp Kit)
	9181176-11	9181182-11	9181182-11		Compressor Kit
	9181003-53	9181003-56	9181003-56		Start Capacitor
	9181009-16	9181009-27	9181009-27		Run Capacitor
	9181010-36	9181010-35	9181010-35		Compressor Relay
	Internal	Internal	Internal		Overload



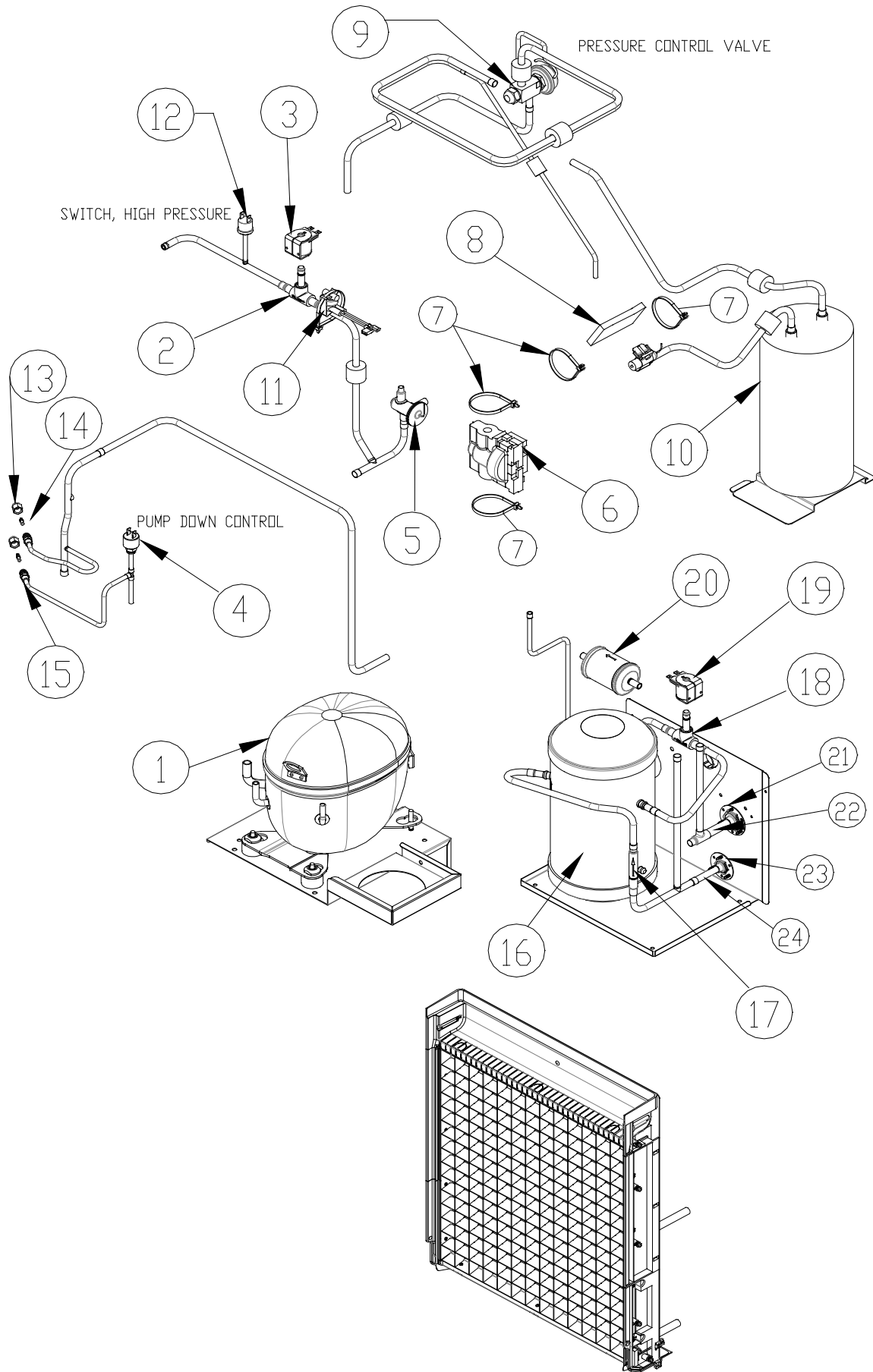
SWITCH, HIGH PRESSURE



REFERENCE PAGE 4 AND 5 FOR EVAPORATOR

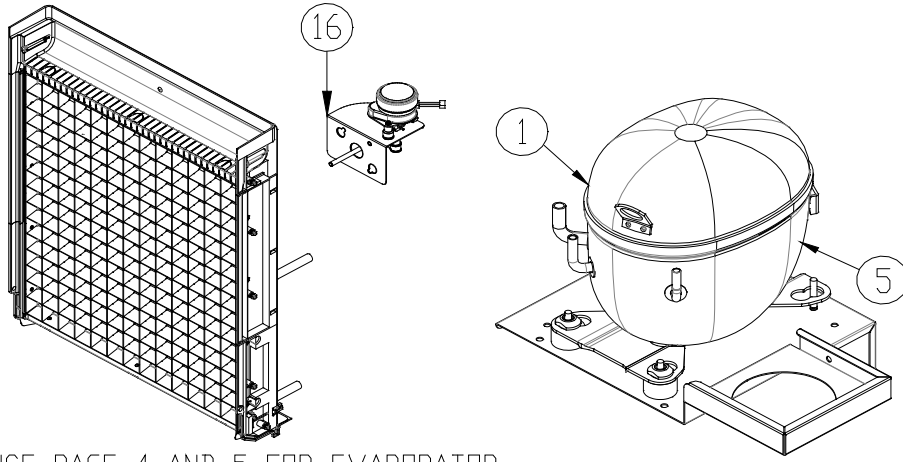
Item No.	Model Number			Description
	CIM0836W	CIM1136W	CIM1137W	
1	9181177-11	9181180-11	9181181-11	Compressor Kit
2	9151192-01	9151198-01	9151198-01	Hot Gas Valve Body
3	9151193-02	9151193-02	9151193-02	Hot Gas Valve Coil
4	9151165-101	9151165-101	9151165-101	TXV
5	9041098-02	9041098-02	9041098-02	High Temp Switch
6	9041111-01	9041111-01	9041111-01	Switch, High Pressure
7	9151163-02	9151163-02	9151163-02	Drier (Included in Compressor Kit)
8	9131544-01	9131544-01	9131544-01	Insulation, TXV
9	9131143-07	9131143-07	9131143-07	Insulation, Bulb
10	9021021-01	9021021-01	9021021-01	Cable Tie-For TXV and Bulb Insulation
11	9041059-01	9041059-01	9041059-01	Water Regulator
12	9141157-01	9141157-01	9141157-01	Condenser
13	9091086-03	9091086-03	9091086-03	Service Valve Cap
14	9091086-02	9091086-02	9091086-02	Service Valve Core
15	9091086-01	9091086-01	9091086-01	Service Valve Stem
	208-230/60/1	208-230/60/1	208-230/60/3	← Machine Voltage
	CIM0836W	CIM1136W	CIM1137W	Starting Components (Included in Comp Kit)
	9181177-11	9181180-11	9181181-11	Compressor Kit
	9181003-44	9181003-44	N/A	Start Capacitor
	9181009-16	9181009-16	N/A	Run Capacitor
	9181010-37	9181010-33	N/A	Compressor Relay
	Internal	Internal	N/A	Overload

Item No.	Model Number 220-240/50/1			Description
	CIM0835W	CIM1135W		
1	9181176-11	9181182-11		Compressor Kit
2	9151192-01	9151198-01		Hot Gas Valve Body
3	9151193-02	9151193-02		Hot Gas Valve Coil
4	9151165-101	9151165-101		TXV
5	9041098-02	9041098-02		High Temp Switch
6	9041111-01	9041111-01		Switch, High Pressure
7	9151163-02	9151163-02		Drier (Included in Compressor Kit)
8	9131544-01	9131544-01		Insulation, TXV
9	9131143-07	9131143-07		Insulation, Bulb
10	9021021-01	9021021-01		Cable Tie-For TXV and Bulb Insulation
11	9041059-01	9041059-01		Water Regulator
12	9141157-01	9141157-01		Condenser
13	9091086-03	9091086-03		Service Valve Cap
14	9091086-02	9091086-02		Service Valve Core
15	9091086-01	9091086-01		Service Valve Stem
	CIM0835W	CIM1135W		Starting Components (Included in Comp Kit)
	9181176-11	9181182-11		Compressor Kit
	9181003-53	9181003-56		Start Capacitor
	9181009-16	9181009-27		Run Capacitor
	9181010-36	9181010-35		Compressor Relay
	Internal	Internal		Overload

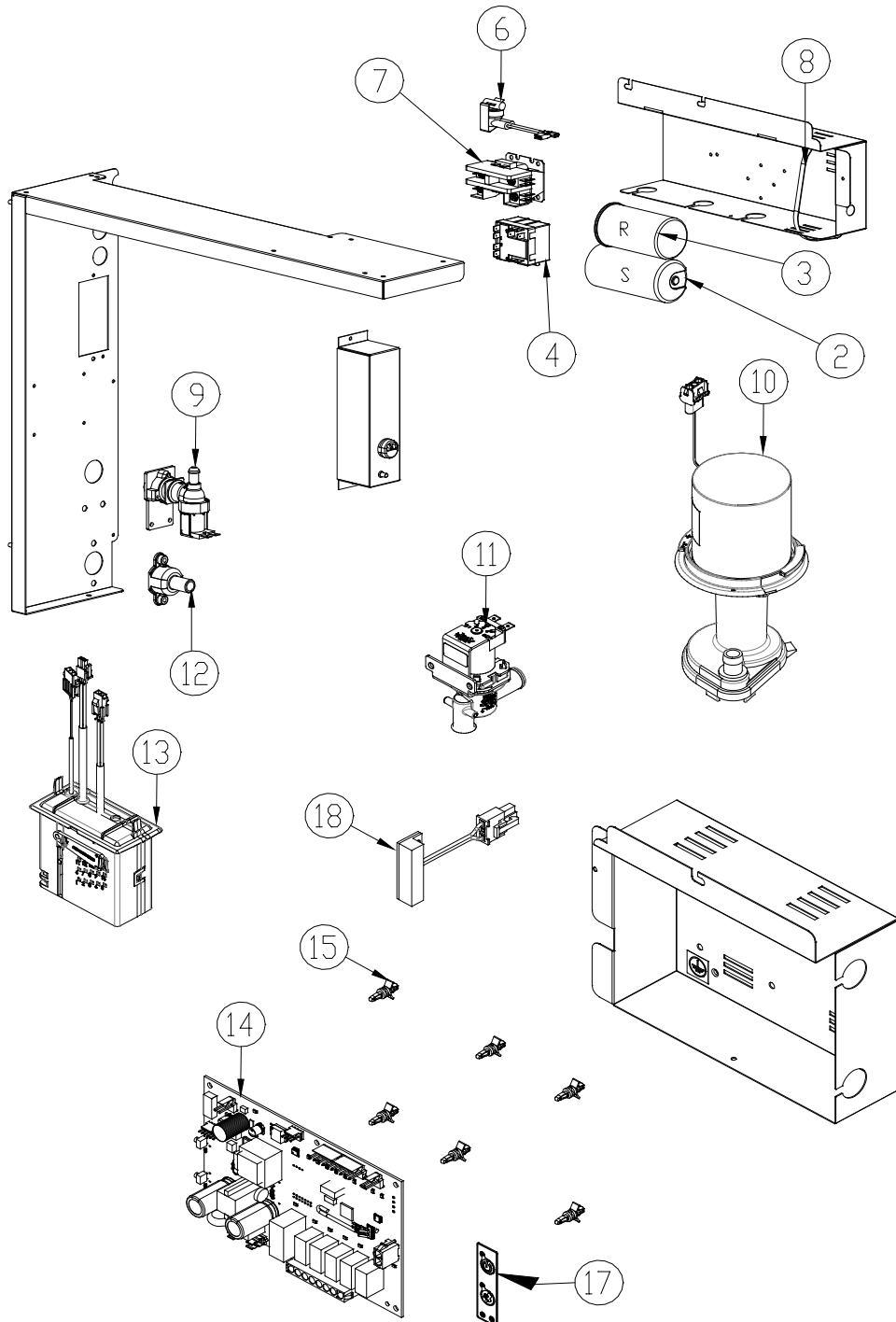


REFERENCE PAGE 4 AND 5 FOR EVAPORATOR

Item No.	Model Number					Description
	CIM0836R	CIM0835R	CIM1136R	CIM1135R	CIM1137R	
1	9181177-01	9181176-01	9181180-11	9181182-11	9181181-11	Compressor Kit
2	9151192-01	9151192-01	9151192-02	9151192-02	9151192-02	Hot Gas Valve Body
3	9151193-02	9151193-02	9151193-02	9151193-02	9151193-02	Hot Gas Valve Coil
4	9041092-02	9041092-02	9041092-02	9041092-02	9041092-02	Pump Down Control
5	9151165-101	9151165-101	9151165-101	9151165-101	9151165-101	TXV
6	9131544-01	9131544-01	9131544-01	9131544-01	9131544-01	Insulation, TXV
7	9021025-01	9021025-01	9021025-01	9021025-01	9021025-01	Cable Tie-For TXV and Bulb Insulation
8	9131143-07	9131143-07	9131143-07	9131143-07	9131143-07	Insulation, TXV Bulb
9	NA	NA	NA	NA	NA	Pressure Control Valve
10	NA	NA	NA	NA	NA	Accumulator
11	9041098-02	9041098-02	9041098-02	9041098-02	9041098-02	High Temp Switch
12	9041111-01	9041111-01	9041111-01	9041111-01	9041111-01	Switch, High Pressure
13	9091086-03	9091086-03	9091086-03	9091086-03	9091086-03	Service Valve Cap
14	9091086-02	9091086-02	9091086-02	9091086-02	9091086-02	Service Valve Core
15	9091086-01	9091086-01	9091086-01	9091086-01	9091086-01	Service Valve Stem
16	9151060-01	9151060-01	9151060-01	9151060-01	9151060-01	Receiver
17	9151139-01	9151139-01	9151139-01	9151139-01	9151139-01	Check Valve
18	9151192-02	9151192-02	9151192-02	9151192-02	9151192-02	Liquid Line Solenoid
19	9151193-02	9151193-02	9151193-02	9151193-02	9151193-02	Liquid Line Coil
20	9151163-03	9151163-03	9151163-03	9151163-03	9151163-03	Drier (Included in Compressor Kit)
21	9091001-09	9091001-09	9091001-09	9091001-09	9091001-09	1/2 Inch Coupling Flange (Large)
22	9091001-12	9091001-12	9091001-12	9091001-12	9091001-12	1/2 Inch Coupling (Large)
23	9091001-03	9091001-03	9091001-03	9091001-03	9091001-03	3/8 Inch Coupling Flange (Small)
24	9091001-11	9091001-11	9091001-11	9091001-11	9091001-11	3/8 Inch Coupling (Small)
	CIM0836R	CIM0835R	CIM1136R	CIM1135R	CIM1137R	Starting Components (Included in Comp Kit)
	9181177-11	9181176-11	9181180-11	9181182-11	9181181-11	Compressor Kit
	9181003-44	9181003-53	9181003-44	9181003-56	N/A	Start Capacitor
	9181009-16	9181009-16	9181009-16	9181009-27	N/A	Run Capacitor
	9181010-37	9181010-36	9181010-33	9181010-35	N/A	Potential Relay
	Internal	Internal	Internal	Internal	N/A	Overload
	208-230/60/1	220-240/50/1	208-230/60/1	220-240/50/1	208-230/60/3	← Machine Voltage



REFERENCE PAGE 4 AND 5 FOR EVAPORATOR



Item No.	Model Number				Description
	CIM0836	CIM0836GA	CIM1136W	CIM1137W	
1	9181177-11	9181180-11	9181180-11	9181181-11	Compressor
2	9181003-44	9181003-44	9181003-44	N/A	Start Capacitor
3	9181009-16	9181009-16	9181009-16	N/A	Run Capacitor
4	9181010-37	9181010-33	9181010-33	N/A	Potential Relay
5	Internal	Internal	Internal	N/A	Overload
6	9041098-02	9041098-02	9041098-02	9041098-02	Switch, High Temp
7	9101002-06	9101002-06	9101002-06	9101002-06	Contactora
8	9021096-01	9021096-01	9021096-01	9021096-01	Cable Tie, Metal
9	9041108-02	9041108-02	9041108-02	9041108-02	Valve, Water Inlet
10	2062336-03S	2062336-03S	2062336-03S	2062336-03S	Water Pump
11	9041105-05	9041105-05	9041105-05	9041105-05	Purge Valve
12	9091140-01	9091140-01	9091140-01	9091140-01	Purge Drain
13	1051224-01	1051224-01	1051224-01	1051224-01	Float Switch Assembly (Includes Instructions)
14	9101368-02	9101368-02	9101368-02	9101368-02	Board Dual Voltage
15	9051698-01P	9051698-01P	9051698-01P	9051698-01P	Plastic Standoff, Control Board (Pkg of 10)
16	9161134-02	9161134-02	9161134-02	9161134-02	Harvest Assist
17	9101394-01	9101394-01	9101394-01	9101394-01	Membrane Switch (Includes Cable)
18	9101379-01	9101379-01	9101379-01	9101379-01	Switch, Magnetic Reed (Bin Control On Evap)
	208-230/60/1	208-230/60/1	208-230/60/1	208-230/60/1	← Machine Voltage

Item No.	Model Number 220-240/50/1				Machine Voltage
	CIM0835W		CIM1135W		
1	9181176-11		9181182-11		Compressor Kit
2	9181003-53		9181003-56		Start Capacitor
3	9181009-16		9181009-27		Run Capacitor
4	9181010-36		9181010-35		Compressor Relay
5	Internal		Internal		Overload
6	9041098-02		9041098-02		Switch, High Temp
7	9101002-06		9101002-06		Contactora
8	9021096-01		9021096-01		Cable Tie, Metal
9	9041108-02		9041108-02		Valve, Water Inlet
10	2062336-03S		2062336-03S		Water Pump
11	9041105-05		9041105-05		Purge Valve
12	9091140-01		9091140-01		Purge Drain
13	1051224-01		1051224-01		Float Switch Assembly (Includes Instructions)
14	9101368-02		9101368-02		Board Dual Voltage
15	9051698-01P		9051698-01P		Plastic Standoff, Control Board (Pkg of 10)
16	9161134-02		9161134-02		Harvest Assist
17	9101394-01		9101394-01		Membrane Switch (Includes Cable)
18	9101379-01		9101379-01		Switch, Magnetic Reed (Bin Control On Evap)