



ELECTRIC HOTPLATES

MODEL

TMHPE, TMHPF

Installation and Operation Instructions

2M-Z12999 Rev. - Oct. 1, 2009



TMHPE



TMHPF

Vertical column of repeated 'Toastmaster' logos on the left side of the page.

SAFETY SYMBOL



These symbols are intended to alert the user to the presence of important operating and maintenance instructions in the manual accompanying the appliance.

RETAIN THIS MANUAL FOR FUTURE REFERENCE NOTICE

Using any part other than genuine Toastmaster factory supplied parts relieves the manufacturer of all liability.

Toastmaster reserves the right to change specifications and product design without notice. Such revisions do not entitle the buyer to corresponding changes, improvements, additions or replacements for previously purchased equipment.

Due to periodic changes in designs, methods, procedures, policies and regulations, the specifications contained in this sheet are subject to change without notice. While Toastmaster exercises good faith efforts to provide information that is accurate, we are not responsible for errors or omissions in information provided or conclusions reached as a result of using the specifications. By using the information provided, the user assumes all risks in connection with such use.

MAINTENANCE AND REPAIRS

Contact your local authorized service agent for service or required maintenance.

Please record the model number, serial number, voltage and purchase date in the area below and have it ready when you call to ensure a faster service.

Model No. _____

Serial No. _____

Voltage _____

Purchase Date _____

Authorized Service Agent

Reference the listing provided with the unit

or

for an updated listing go to:

Website: www.star-mfg.com
E-mail Service@star-mfg.com
Telephone: (800) 807-9054 Local (314) 781-2777

The Service Help Desk

Business Hours: 8:00 am to 4:30 p.m. Central Standard Time

Telephone: (800) 807-9054 Local (314) 781-2777

Fax: (800) 396-2677 Local (314) 781-2714

E-mail Parts@star-mfg.com
Service@star-mfg.com
Warranty@star-mfg.com

Website: www.star-mfg.com

Mailing Address: Star Manufacturing International Inc.
10 Sunnen Drive
St. Louis, MO 63143
U.S.A

GENERAL OPERATING INSTRUCTIONS



CAUTION

This equipment is designed and sold for commercial use only by personnel trained and experienced in its operation and is not sold for consumer use in and around the home nor for use directly by the general public in food service locations. For equipment to be used by the general public, please contact the factory.

The Toastmaster models TMHPE & TMHPF Electric Hot Plates are equipped for the voltage indicated on the nameplate mounted on the front panel. This unit is designed to operate on alternating current (A.C.), two wire single phase service only.

DO NOT CONNECT TO DIRECT CURRENT (D.C.).

Total Connected Load:

TMHPF: at 240 Volts, Wattage is 5,200
at 208 Volts, Wattage is 3,900

TMHPE: at 240 Volts, Wattage is 4,200
at 208 Volts, Wattage is 3,150

INSTALLATION

For your protection, we recommend that a qualified electrician install this appliance. The electrician should be familiar with electrical installations and your local electrical requirements. The external wiring should be in conduit or an approved type of flexible cable and of suitable size to carry the load. The supply circuit should be properly fused and equipped with a means of disconnecting as required by local electrical code. The body of the hot plate should be grounded (Do not ground to a gas supply pipe). The connections are made in this unit at the pigtail leads located in the junction box on the back of the unit. To gain access to the pigtail leads remove cover on junction box.

LOCATE THE UNIT

Do not install the unit closer than 1 inch from a side wall and/or closer than 1 inch from a rear wall.

LEVELING UNIT

Level unit by adjusting the (4) feet for accurate and perfect line up with other Toastmaster series units.



CAUTION

DO NOT INSTALL WITHOUT FEET.

CAUTION

USE ONLY FLAT BOTTOM PANS AND POTS! DO NOT USE RAISED BOTTOM UTENSILS OR BUCKETS! GOOD HEAT TRANSFER DEPENDS UPON GOOD CONTACT BETWEEN THE ELEMENT AND POT.

NOTE: Using a 12" diameter or larger pan/pot may cause damage to the element or internal wiring. Such damages are not covered by warranty. Two (2) heating elements are used. For the TMHPF each element draws 2,600 Watts on 240 Volts and 1,950 Watts on 208 Volts. For the TMHPE element draws 2,100 Watts on 240 Volts and 1,575 Watts on 208 Volts. Each element is controlled by an infinite position switch. The right control knob controls the rear cooking element and the left control knob controls the front cooking element. On "HI" the element delivers uninterrupted full heat. Between "LO" and "5" any desired amount of heat can be obtained between 6% and 60% of full heat.

Signal lights are provided above the control knobs to give a visual check if either one or both heating units are turned on.

CLEANING

The exterior surfaces can be kept clean and attractive by regularly wiping with a clean soft cloth. Any discoloration can be removed with a non-abrasive cleaner.

For model TMPHE, the heating elements may be raised for access to the drip pans, which may be removed for cleaning and the bottom pan may be removed by sliding pan forward.

REPLACEMENT OF INFINITE CONTROL

BE SURE POWER IS DISCONNECTED BEFORE ATTEMPTING TO SERVICE UNIT.

1. Pull control knobs on front panel forward to remove.
2. Remove 8 screws from front panel and tilt front panel forwards.
3. Remove the nut that mounts the inoperative control and pull the control to the side.
4. Remove one wire at a time from the inoperative control and connect at the same terminal on the new control. Carefully check to see that proper wires have been connected to the terminals of the control. See attached wiring diagram.
5. Assemble new control to the front panel.

MAINTENANCE AND REPAIRS

Contact the factory or one of its representatives or a local service company for service or maintenance if required.



Warranty Statement

This warranty is effective on all Toaster equipment sold on or after July 1, 2006, and supersedes all previous warranties.

Toaster warrants equipment that it manufactures to be free from defects in material and workmanship. Toaster's obligation is limited to repairing or replacing, at Toaster's option, without cost to the customer, any part found to be defective, as well as any labor or material expense required to replace the part.

Length of Warranty

This warranty is effective for a period of 18 months from the date of shipment from Toaster, or 12 months from the date of purchase by the end user, whichever is earlier.

Exceptions

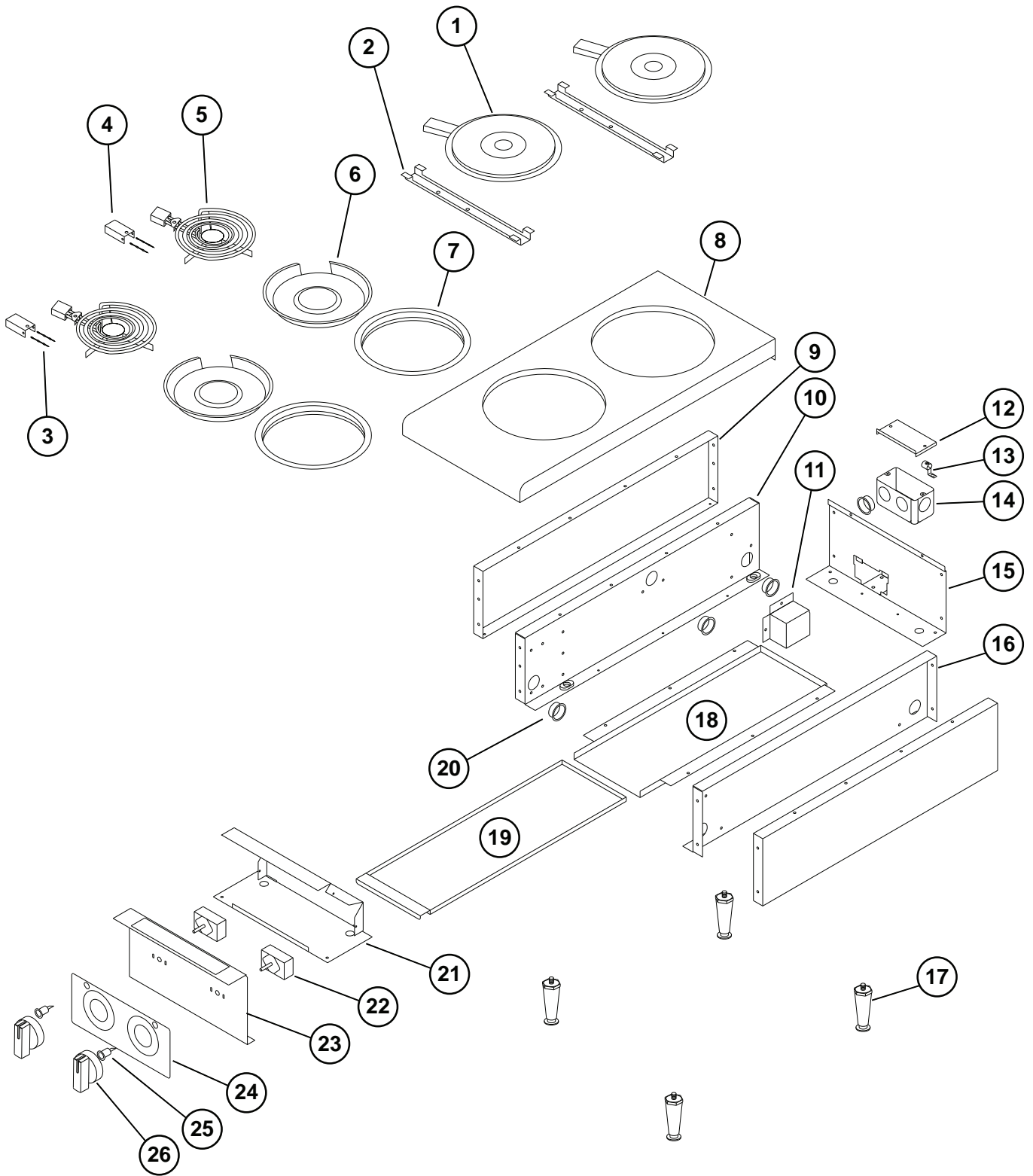
- This warranty is valid only for the original end user owner/operator of the equipment.
- This warranty does not apply to normal maintenance functions, including (but not limited to) improper operation, installation or the use of an improper utility supply.
- This warranty is valid only if the equipment is used in a commercial setting. The equipment is designed and constructed for commercial use by trained professionals only. Any use of the equipment in private or domestic applications immediately voids this warranty.
- This warranty does not apply to any parts, labor and material expenses for service that is not pre-approved and performed by a Toaster authorized service agent. Any such service immediately voids this warranty.
- This warranty does not apply to any parts, labor and material expenses associated with the installation of parts that are not factory-approved for use in the equipment. Any use of such parts immediately voids this warranty.
- This warranty is not valid if terms of payment have not been met.
- For warranty service on Pop-up toasters and light countertop equipment, an exchange program would supersede a service call. Please find Warranty Exchange Program' authorization to follow. (http://www.toastercorp.com/filespdfcat/warranty_exchange_2008.pdf)

Toaster reserves the right to change the design and specifications of this equipment or any related documentation at any time. The end user is not entitled to upgrades resulting from these changes.

This warranty is exclusive and supersedes all other warranties for the equipment, both expressed and implied. There are no implied warranties of merchantability or of fitness for a particular purpose.

The foregoing is Toaster's sole and exclusive obligation and the end user sole and exclusive remedy for any action including breach of contract or negligence. In no event shall Toaster be liable for a sum in excess of the purchase price of the equipment, or for any prospective or lost profits of the end user.

 is a registered trademark of Toaster, A Middleby Company. All rights reserved.



MODEL: TMHPE, TMHPF
Electric Hotplates



SK2433

REV -

9/1/09

PARTS LIST

October 1, 2009, Rev. -

MODEL TMHPE, TMHPF, Electric Hotplates

Fig No.	Part No	Description	Qty	Application
1	2N-Y3301	ELEMENT	2	TMHPF
2	I3-Z6169	ELEMENT CLAMP	2	TMHPF
3	I3-Y7891	CHAIN STRAIN RELF	4	TMHPE
4	I3-Y7822	COVER, TERMINAL BLOCK	2	TMHPE
5	2N-Y7779	ELEMENT,502 RNGE SURFACE	2	TMHPE
6	2D-6470	PAN-REFLECTOR CHROMALOX	2	TMHPE
7	2P-6468	RING-ELE ADAPTR R9R	2	TMHPE
8	I8-Z12997	TOP, TMHPF	1	TMHPF
	I8-Z12998	TOP, TMHPE		TMHPE
9	G3-Z5945	SIDE PANEL LT/RT	2	ALL
10	I8-Z12996	SIDE LINER, LEFT	1	ALL
11	I2-Z6064	WIRING COVER	1	TMHPE
12	G3-Y7788	COVER, HANDY BOX	1	ALL
13	2C-Y2344	TERMINAL-GRND T&B	1	ALL
14	2E-Y7327	HANDY BOX 4X2.125X2.125	1	ALL
15	I2-Z6170	REAR PANEL	1	ALL
16	I8-Z12995	SIDE LINER, RIGHT	1	ALL
17	2A-Z0314	FOOT, 4 IN DIE CAST	4	ALL
18	I2-Z6178	DRAWER SLIDE	1	TMHPE
	I3-Z6174	BOTTOM PANEL		TMHPF
19	2K-Z6183	BUSHING 1.125	4	ALL
20	I2-Z6177	DRAWER	1	TMHPE
21	I2-Z6172	CENTER WALL	1	ALL
22	2J-6403	CONTROL-INFINITE 240V	2	ALL
23	I2-Z6179	FRONT PANEL	1	ALL
24	2M-Z12939	GRAPHIC PANEL, 12" HTPLT	1	ALL
25	2J-Y6690	PILOT LIGHT 240V	2	ALL
26	2R-Z13016	KNOB, T-STAT ELEC.	2	ALL

**IMPORTANT: WHEN ORDERING, SPECIFY VOLTAGE OR TYPE GAS DESIRED
INCLUDE MODEL AND SERIAL NUMBER**

PAGE 1
OF 1

Some items are included for illustrative purposes only and in certain instances may not be available.

#10 SUNNEN DRIVE
ST. LOUIS, MO. 63143, USA

DR. RDL CK. DATE 09/01/2009

TOLERANCES UNLESS OTHERWISE NOTED
FRACTIONS ± 1/64 DECIMALS ± .005 ANGLES ± 1'

MATERIAL

MODEL NO. TMHPE/TMHPF

PART NO. SK1986-1

FINISH

TITLE WIRING DIAGRAM

REV	DATE	DESCRIPTION OF CHANGE	DR

TMHPE		TMHPF		TMHPE	
RATED WATTAGE	RATED WATTAGE	NOMINAL_AMPS PER LINE	NOMINAL_AMPS PER LINE	NOMINAL_AMPS PER LINE	NOMINAL_AMPS PER LINE
5200 (240V)	4200 (240V)	208 V (1 PH)	240 V (1 PH)	208 V (1 PH)	240 V (1 PH)
3900 (208V)	3150 (208V)	18.77	21.66	15.14	17.5
FOR SUPPLY CONNECTIONS USE GA. SHOWN (OR LARGER)		AWG #10	AWG #10	AWG #12	AWG #10

NOTE: FOR SUPPLY CONNECTIONS USE COPPER WIRE ONLY, SUITABLE FOR AT LEAST 90 DEG. C (194 DEG. F)

