



Model: **15-831L-W-__** Item #: _____ Date: _____
 Project: _____ Qty: _____ Approved by: _____

8" Raised Deck Mount with 6" Wide Double Bend Spout, VR Wrist Blade Handles

Royal Series Plumbing



DESCRIPTION

- 8" Center Raised Deck Mount Faucet with 6" Wide Double Bend Spout, VR Wrist Blade Handles, Polished Chrome Finish

STANDARD FEATURES

- ¼ Turn High Performance Ceramic Cartridge Valves with Integral Check
- Durable Full Range Swing Spout with Double O-ring Construction
- Vandal Resistant Wrist Blade Handles
- Warranty: 3 Years

SPECIFICATIONS

Water Inlet	1/2" NPT
Temp. Range	40°F - 180°F
Rough In	7/8" Round Holes on 8" Center
Material	Chrome Plated Brass
Weight	5 lbs.

OUTLETS

Standard Aerator	Suffix
<input type="checkbox"/> 0.20 GPM Aerator	E1
<input type="checkbox"/> 0.50 GPM Aerator	E2
<input type="checkbox"/> 1.00 GPM Aerator	E3
<input type="checkbox"/> 1.50 GPM Aerator	E4
<input type="checkbox"/> 1.80 GPM Aerator	E5
<input type="checkbox"/> 2.20 GPM Aerator	E6

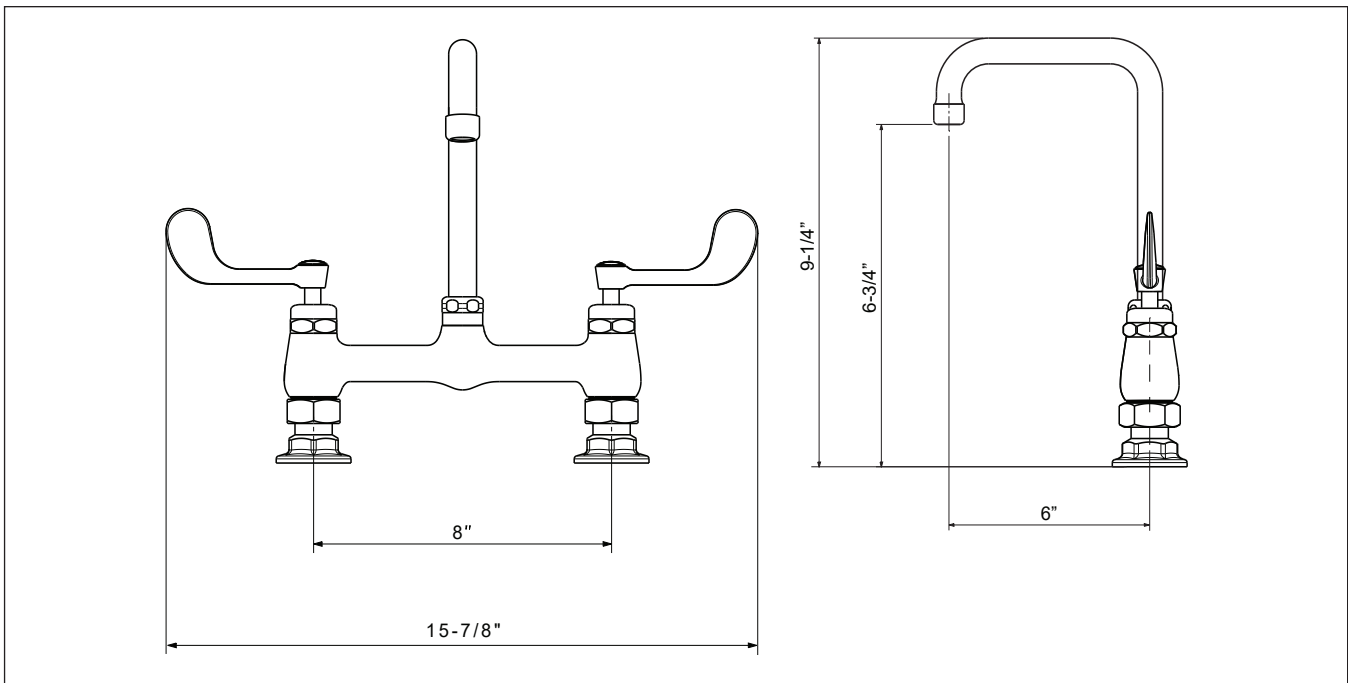
Vandal Resistant Aerator	Suffix
<input type="checkbox"/> 0.35 GPM Aerator	G1
<input type="checkbox"/> 0.50 GPM Aerator	G2
<input type="checkbox"/> 1.00 GPM Aerator	G3
<input type="checkbox"/> 1.50 GPM Aerator	G4

Vandal Resistant Laminar Flow Outlet	Suffix
<input type="checkbox"/> 0.35 GPM Outlet	H1
<input type="checkbox"/> 0.50 GPM Outlet	H2
<input type="checkbox"/> 1.00 GPM Outlet	H3
<input type="checkbox"/> 1.50 GPM Outlet	H4

Laminar Flow Outlet	Suffix
<input type="checkbox"/> 0.50 GPM Outlet	F1
<input type="checkbox"/> 1.50 GPM Outlet	F2

PRODUCT COMPLIANCE

- ASME A112.18.1-2011/CSA B125.1-11
- NSF-61
- NSF/ANSI 372
- Meets ANSI A117.1 (ADA)
- California Proposition 65



WARNING: Plumbing connections should be made by qualified personnel who will observe all applicable plumbing, sanitary and safety codes.
WARNING: This product can expose you to chemicals including lead and lead compounds which are known to the State of California to cause cancer and birth defects or other reproductive harm. For more information go to www.P65Warnings.ca.gov.