

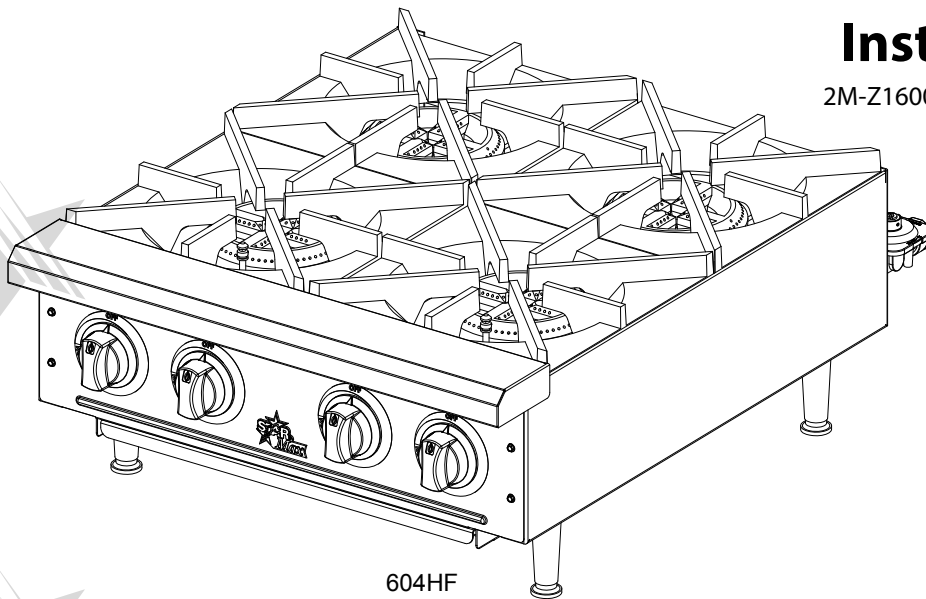


STAR[®]
GAS
HOT PLATES

MODEL
601SPRF
602HWF, 602HWWF, 602HF, 602HF-SU
603HWF, 603HWWF
604HF, 604HF-SU
606HF, 606HF-SU

**Installation and
Operation
Instructions**

2M-Z16006 Rev. A 10/10/14



604HF



SAFETY SYMBOL



These symbols are intended to alert the user to the presence of important operating and maintenance instructions in the manual accompanying the appliance.

RETAIN THIS MANUAL FOR FUTURE REFERENCE

NOTICE

Using any part other than genuine Star factory supplied parts relieves the manufacturer of all liability.

Star reserves the right to change specifications and product design without notice. Such revisions do not entitle the buyer to corresponding changes, improvements, additions or replacements for previously purchased equipment.

Due to periodic changes in designs, methods, procedures, policies and regulations, the specifications contained in this sheet are subject to change without notice. While Star International Holdings Inc., Company exercises good faith efforts to provide information that is accurate, we are not responsible for errors or omissions in information provided or conclusions reached as a result of using the specifications. By using the information provided, the user assumes all risks in connection with such use.

MAINTENANCE AND REPAIRS

Contact your local authorized service agent for service or required maintenance.

Please record the model number, serial number, voltage and purchase date in the area below and have it ready when you call to ensure a faster service.

Model No. _____

Serial No. _____

Voltage _____

Purchase Date _____

Authorized Service Agent Listing

Reference the listing provided with the unit

OR

for an updated listing go to:

Website: www.star-mfg.com
E-mail Service@star-mfg.com

Service Help Desk

Business Hours: 8:00 am to 4:30 p.m. Central Standard Time

Telephone: (314) 678-6303

Fax: (314) 781-2714

E-mail Parts@star-mfg.com
Service@star-mfg.com
Warranty@star-mfg.com

Website: www.star-mfg.com

Mailing Address: Star International Holdings Inc., Company
10 Sunnen Drive
St. Louis, MO 63143
U.S.A



GENERAL INSTALLATION DATA

This equipment is designed and sold for commercial use only by personnel trained and experienced in its operation and is not sold for consumer use in and around the home nor for use directly by the general public in food service locations. For equipment to be used by the general public, please contact the factory.

This gas appliance is equipped for the types of gas indicated on the nameplate mounted on the front panel. It is shipped adjusted for use on natural gas.

The installation of the Appliance should conform to the NATIONAL FUEL GAS CODE "ANSI Z223.1 - LATEST EDITION" AND ALL LOCAL GAS COMPANY RULES AND REGULATIONS.

IN CANADA INSTALLATION SHALL BE IN ACCORDANCE WITH THE CURRENT CAN/CGA-B149.1 NATURAL GAS INSTALLATION CODE OR CAN/CGA-B149.2 PROPANE INSTALLATION CODE AND LOCAL CODES WHERE APPLICABLE.

WARNING: Improper installation, adjustment, alteration, service or maintenance can cause property damage, injury or death. Read the installation, operating and maintenance instructions thoroughly before installing or servicing the equipment.

FOR YOUR SAFETY

DO NOT STORE OR USE GASOLINE OR OTHER FLAMMABLE VAPORS AND LIQUIDS IN THE VICINITY OF THIS OR ANY OTHER APPLIANCE. KEEP THE APPLIANCE AREA CLEAR AND FREE FROM COMBUSTIBLES.

This appliance, its pressure regulator and its individual shutoff valve must be disconnected from the gas supply piping system during any pressure testing of that system at test pressures in excess of 1/2 PSIG. This appliance and its pressure regulator must be isolated from the gas supply piping system by closing its individual manual shutoff valve during any pressure testing of the gas supply piping system at test pressures equal to or less than 1/2 PSIG. For your protection, we recommend a qualified installing agency install this appliance. They should be familiar with gas installations and your local gas requirements. In any case, your gas company should be called to approve the final installation. In addition, there should be posted, in a prominent location, detailed instructions to be followed in the event the operator smells gas. Obtain the instructions from the local gas supplier.

LEVELING UNIT

Units are shipped with feet detached. To attach feet, remove the grates, lay unit on it's side and screw feet into sockets on bottom. Level unit by adjusting the (4) feet which have an adjustment of 1-3/4" for accurate and perfect line-up with other Star-Max series units.

DO NOT REMOVE FEET.

GAS PIPING

Gas piping shall be new, clean and of such size and so installed as to provide a supply of gas sufficient to meet the full gas input of the appliance. If the appliance is to be connected to existing piping, it shall be checked to determine if it has adequate capacity. Joint compound (pipe dope) shall be used sparingly and only on the male threads of the pipe joints. Such compounds shall be resistant to the action of L.P. gases.

WARNING: Any loose dirt or metal particles which are allowed to enter the gas lines on the appliance will damage the automatic valve and affect its operation. When installing this appliance, all pipe and fittings must be free from all internal loose dirt.

CLEARANCE

Minimum wall clearances for the sides and back of the models contained in this manual shall be as follows:

	Combustible	Non-Combustible
	Wall	Wall
Hotplates	9"	0"
Stock Pot Range	14"	0"

2M-Z16006; Star-Max Gas Hot Plates



PRESSURE REGULATOR

A convertible pressure regulator set at 6" water column for use on natural gas is furnished. (For LP models the regulator is set for 10" water column pressure.) Attach the regulator to the supply pipe, located at the back of the unit, make sure gas flow arrow on regulator is pointing towards manifold. The gas supply is then connected to the regulator. A 1/8" tap is furnished on the manifold for checking pressure. The manifold is accessible by removing the front panel.

MANUAL SHUT OFF VALVE

A manual shut off valve should be installed upstream from the unit and within six feet of the appliance, and is not provided.

CONNECTING GAS SUPPLY LINE

The gas inlet on this appliance is sealed at the factory to prevent entry of dirt. Do not remove this seal until the actual connection is made to the gas supply line.

CHECKING FOR GAS LEAKS

Soap and water solution or other material acceptable for the purpose, shall be used in locating gas leakage. Matches, candle flame or other sources of ignition shall not be used for this purpose.

AIR SUPPLY

Provisions for adequate air supply must be furnished.

AIR INTAKES IN BOTTOM

Make certain the air intake openings in the bottom of the appliance are not obstructed. They are essential for proper combustion and operation of the appliance.

EXHAUST CANOPY

It is essential that facilities be provided to carry off fumes and gases.

GAS INPUT OF OPEN TOP RANGES

For Natural Gas: All models except 601SPRF-22,000 BTU/HR for each burner. Model 601SPRF-55,000 BTU/HR for each burner. Regulator output pressure set at 6" water column.

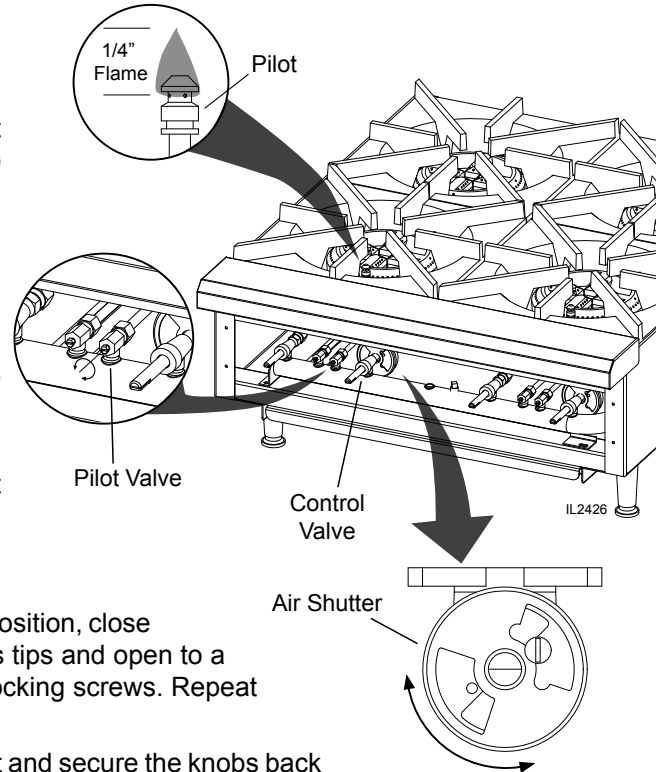
For Propane Gas: All models except 601SPRF-25,000 BTU/HR for each burner. Model 601SPRF-45,000 BTU/HR for each burner. Regulator output pressure set at 10" water column.

Note: The appliance is equipped with orifice hoods that is stated on the units nameplate. For natural units a separate set of hoods will be provided for use on propane gas. The propane hoods are located on the front panel. Factory set LP models do not include the natural gas hoods.

LIGHTING INSTRUCTIONS

The appliance is equipped with standing pilots; each pilot is located in front of the burner on Models 602HF, 602HWF, and 606HF. On Models 602HF-SU, 604HF-SU and 606HF-SU the pilots for the front burners are located in front of the burners, on the rear burners pilots are located on the side of the burners. On Model 601SPRF, the pilots are located on the right side of each burner. Pilots should be lighted immediately after the gas is turned on by the manual shutoff valve.

1. Turn control knobs to "OFF" position.
2. Light pilot with a lighted taper.
3. The pilot valves are located on the manifold installed at the front of the unit behind the front panel. For access to the valves
4. Loosen the set screws securing the knobs in position, and remove the knobs. Remove the front panel, which is attached to the frame with 4 sheet metal screws.
5. Turn the adjustment screws on the front of the pilot valves. The pilots should be adjusted to blue short flame (1/4" high) to have good ignition to the burners. Repeat for remaining pilots.
6. If the pilot(s) is out turn off gas, wait 5 minutes and repeat steps (1) through (5).



ADJUSTING BURNERS

7. With control valve for the front burner turned to full "ON" position, close the air shutters to give a soft blue flame having luminous tips and open to a point where the yellow tips disappear, then tighten the locking screws. Repeat this procedure with the remaining burners.
8. Install the front panel to the front of the frame & reconnect and secure the knobs back into position.

ADJUSTING UNIT FOR USE ON PROPANE GAS

Units are shipped with orifices and pressure regulator for operation with natural gas (6" water column). To convert unit from natural to propane gas follow these instructions (Note: LP models are factory set for propane gas and do not require a conversion. these can be converted to natural gas using the natural gas orifices and converting the regulator to natural gas):

1. Set regulator outlet pressure to 10" water column. A 1/8" pipe plug on the manifold can be removed for attaching a pressure gauge. Remove the slotted cover from the pressure regulator and invert the plug. Replace the cover on the regulator and plug on the manifold. Regulator is now set at 10" W.C.
2. Remove natural gas orifices, #44 for all models except 601SPRF, #.125 for 601SPRF, and install propane orifices, painted black, (#52 for all models except 601SPRF, #45 for 601SPRF) located in a bag on the outside of the front panel. In order to remove natural gas orifices:
 - a. Remove grates and burners.
 - b. Remove orifices from the valves and from fittings on extended gas pipes, replace with the propane orifices.
 - c. Install burners and grates.

OPERATING PROCEDURE

Each burner will deliver up to 25,000 BTU/HR of heat on all models except 601SPRF (on 601SPRF each burner is rated 55,000 BTU/HR for natural gas and 45,000 BTU/HR for propane) and is controlled by a manual On/Off valve. The right control knob controls the front burner and the left control knob controls the rear burner on all models except 601SPRD. On the 601SPRD, the right control knob controls the inner burner and the left control knob controls the outer burner. After the pilot is once lit and adjusted, the burners will ignite automatically by turning the control knob to any position between On and Off. **CLEANING THE EXTERIOR (Stainless Steel Only)**

The exterior surface can be kept clean and attractive by regularly wiping it with a clean soft cloth. Any discoloration can be removed with a non-abrasive cleaner. The burner grates and trough tray can be removed for cleaning.

MAINTENANCE AND REPAIRS

Contact the factory or one of its representatives or a local service company for service or maintenance if required.

THOROUGHLY INSPECT YOUR UNIT ON ARRIVAL

This unit has been tested for proper operation before leaving our plant to insure delivery of your unit in perfect condition. However, there are instances in which the unit may be damaged in transit. In the event you discover any type of damage to your product upon receipt, you must immediately contact the transportation company who delivered the item to you and initiate your claim with same. If this procedure is not followed, it may affect the warranty status of the unit.

LIMITED EQUIPMENT WARRANTY

All workmanship and material in Star products have a one (1) year limited warranty on parts & labor in the United States and Canada. Such warranty is limited to the original purchaser only and shall be effective from the date the equipment is placed in service. Star's obligation under this warranty is limited to the repair of defects without charge, by the factory authorized service agency or one of its sub-agencies. Models that are considered portable (*see below*) should be taken to the closest Star service agency, transportation prepaid.

- > Star will not assume any responsibility for loss of revenue.
- > On all shipments outside the United States and Canada, see International Warranty.
- * The warranty period for the Ultra-Max, Hot Plates, Griddles, Charbroilers is (3) years parts & labor.
- * The warranty period for the Star-Max, Charbroilers, Griddles, Hot Plates, Fryers & Finishing Oven is (2) years parts & labor.
- * The warranty period for the JetStar six (6) ounce & Super JetStar eight (8) ounce series popcorn machines is two (2) years.
- * The warranty period for the Chrome-Max Griddles is five (5) years on the griddle surface. See detailed warranty provided with unit.
- * The warranty period for Dura-Tec coatings is one year under normal use and reasonable care. This warranty does not apply if damage occurs to Dura-Tec coatings from improper cleaning, maintenance, use of metallic utensils, or abrasive cleaners, abrasive pads, product identifiers and point-of-sale attachments, or any other non-food object that comes in continuous contact with the roller coating. This warranty does not apply to the "non-stick" properties of such materials.
- > This warranty does not apply to "Special Products" but to regular catalog items only. Star's warranty on "Special Products" is six (6) months on parts and ninety (90) days on labor.
- > This warranty does not apply to any item that is disassembled or tampered with for any purpose other than repair by a Star Authorized Service Center or the Service Center's sub-agency.
- > This warranty does not apply if damage occurs from improper installation, misuse, wrong voltage, wrong gas or operated contrary to the Installation and Operating instructions.
- > This warranty is not valid on Conveyor Ovens *unless* a "start-up/check-out" has been performed by a Factory Authorized Technician.

PARTS WARRANTY

Parts that are sold to repair out of warranty equipment are warranted for ninety (90) days. The part only is warranted, the labor to replace the part is **NOT** warranted.

SERVICES NOT COVERED BY WARRANTY

1. Travel time and mileage rendered beyond the 50 mile radius limit
2. Mileage and travel time on portable equipment (*see below*)
3. Labor to replace such items that can be replaced easily during a daily cleaning routine, i.e; removable kettles on fryers, knobs, grease drawers on griddles, etc.
4. Installation of equipment
5. Damages due to improper installation
6. Damages from abuse or misuse
7. Operated contrary to the Operating and Installation Instructions
8. Cleaning of equipment
9. Seasoning of griddle plates
10. Voltage conversions
11. Gas conversions
12. Pilot light adjustment
13. Miscellaneous adjustments
14. Thermostat calibration and by-pass adjustment
15. Resetting of circuit breakers or safety controls or reset buttons
16. Replacement of bulbs
17. Replacement of fuses
18. Repair of damage created during transit, delivery, & installation OR created by acts of God

PORTABLE EQUIPMENT

Star will not honor service bills that include travel time and mileage charges for servicing any products considered "Portable" including items listed below. These products should be taken to the Service Agency for repair:

- * The Model 510FD, 510FF Fryer.
- * The Model 526TOA Toaster Oven.
- * The Model J4R, 4 oz. Popcorn Machine.
- * The Model 518CMA & 526CMA Cheese Melter.
- * The Model 12MC & 15MC & 18MCP Hot Food Merchandisers.
- * The Model 12NCPW & 15NCPW Nacho Chip/Popcorn Warmer.
- * All Hot Dog Equipment **except Roller Grills & Drawer Bun Warmers.**
- * All Nacho Cheese Warmers **except Model 11WLA Series Nacho Cheese Warmer.**
- * All Condiment Dispensers **except the Model HPD & SPD Series Dispenser.**
- * All Specialty Food Warmers **except Model 130R, 11RW Series, and 11WSA Series.**
- * All QCS/RCS Series Toasters **except Model QCS3 & RCS3 Series.**
- * All Fast Steamer Models **except Direct Connect Series.**

ALL:

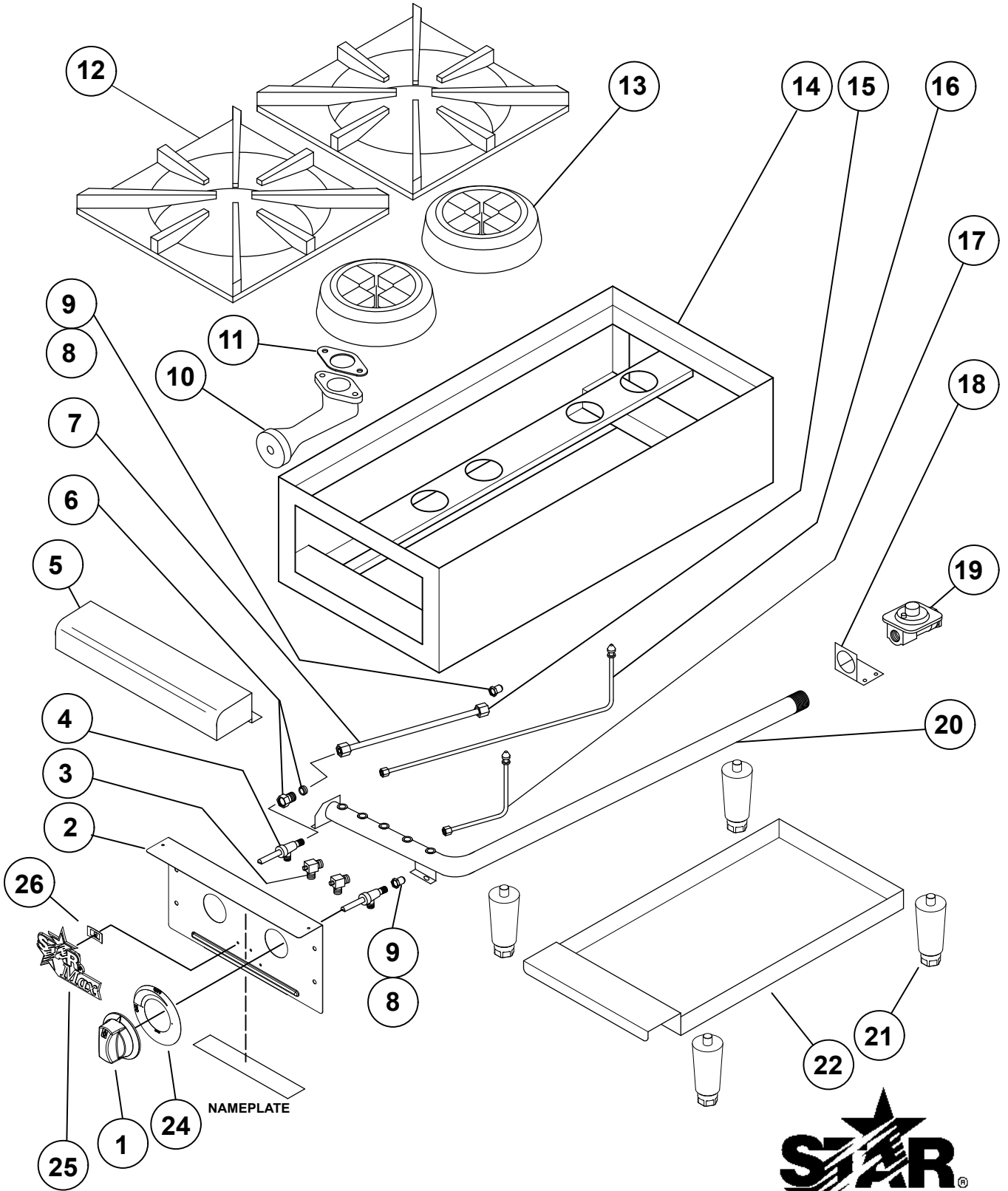
- * Pop-Up Toasters
- * Butter Dispensers
- * Pretzel Merchandisers
(Model 16PD-A Only)
- * Pastry Display Cabinets
- * Nacho Chip Merchandisers
- * Accessories of any kind
- * Sneeze Guards
- * Pizza Ovens
(Model PO12 Only)
- * Heat Lamps
- * Pumps-Manual

The foregoing warranty is in lieu of any and all other warranties expressed or implied and constitutes the entire warranty.

FOR ASSISTANCE

Should you need any assistance regarding the Operation or Maintenance of any Star equipment; write, phone, fax or email our Service Department. In all correspondence mention the Model number and the Serial number of your unit, and the voltage or type of gas you are using.

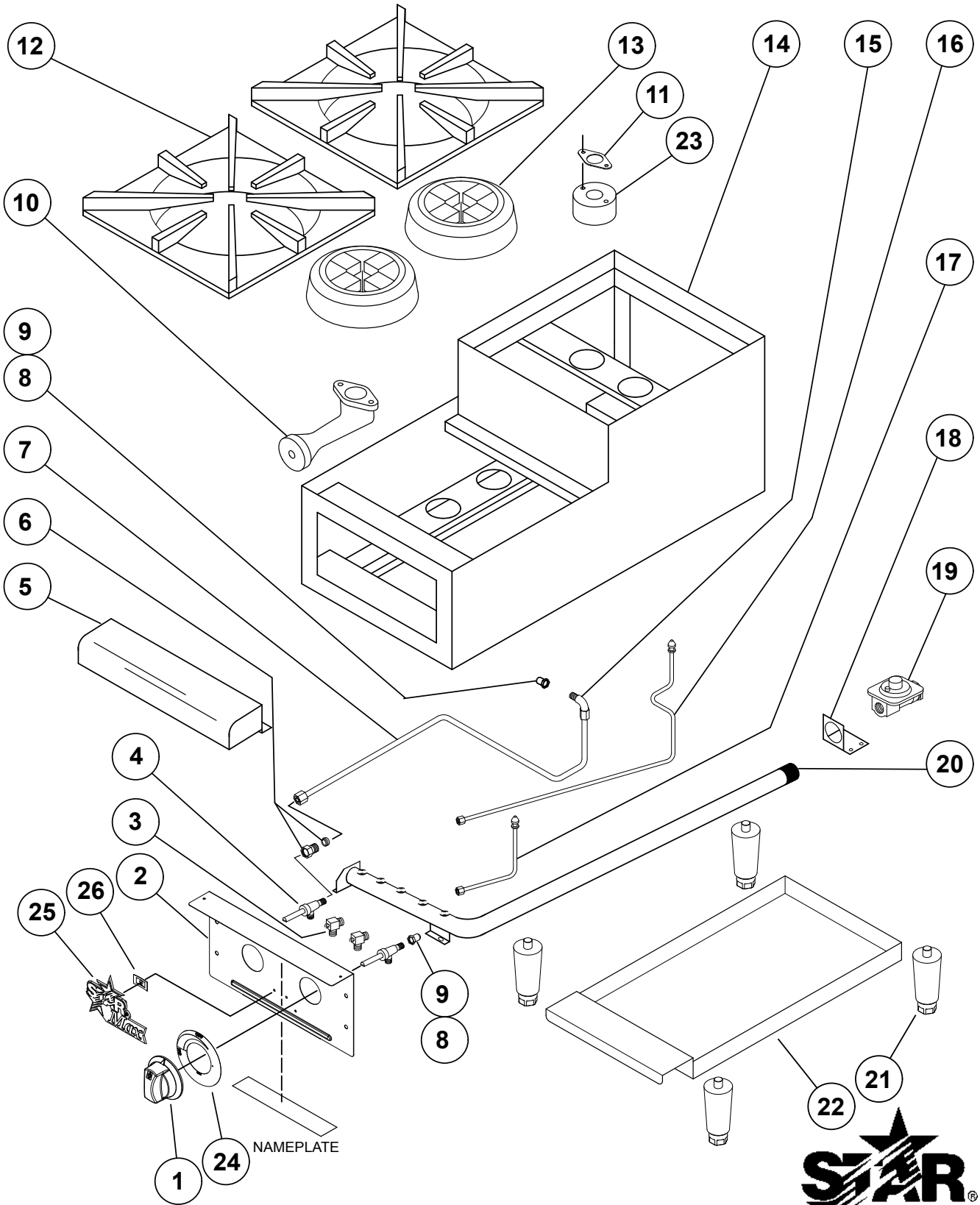
2M-Z16006; Star-Max Gas Hot Plates



GAS HOTPLATE
MODEL 602-, 604-, 606-



STAR MANUFACTURING INTERNATIONAL, INC.
SK2594 REV. - 6/06/12



2M-Z16006; Star-Max Gas Hot Plates



GAS HOTPLATE STEP-UP DESIGN
 MODEL 602HD-SU, 604HD-SU, 606HD-SU

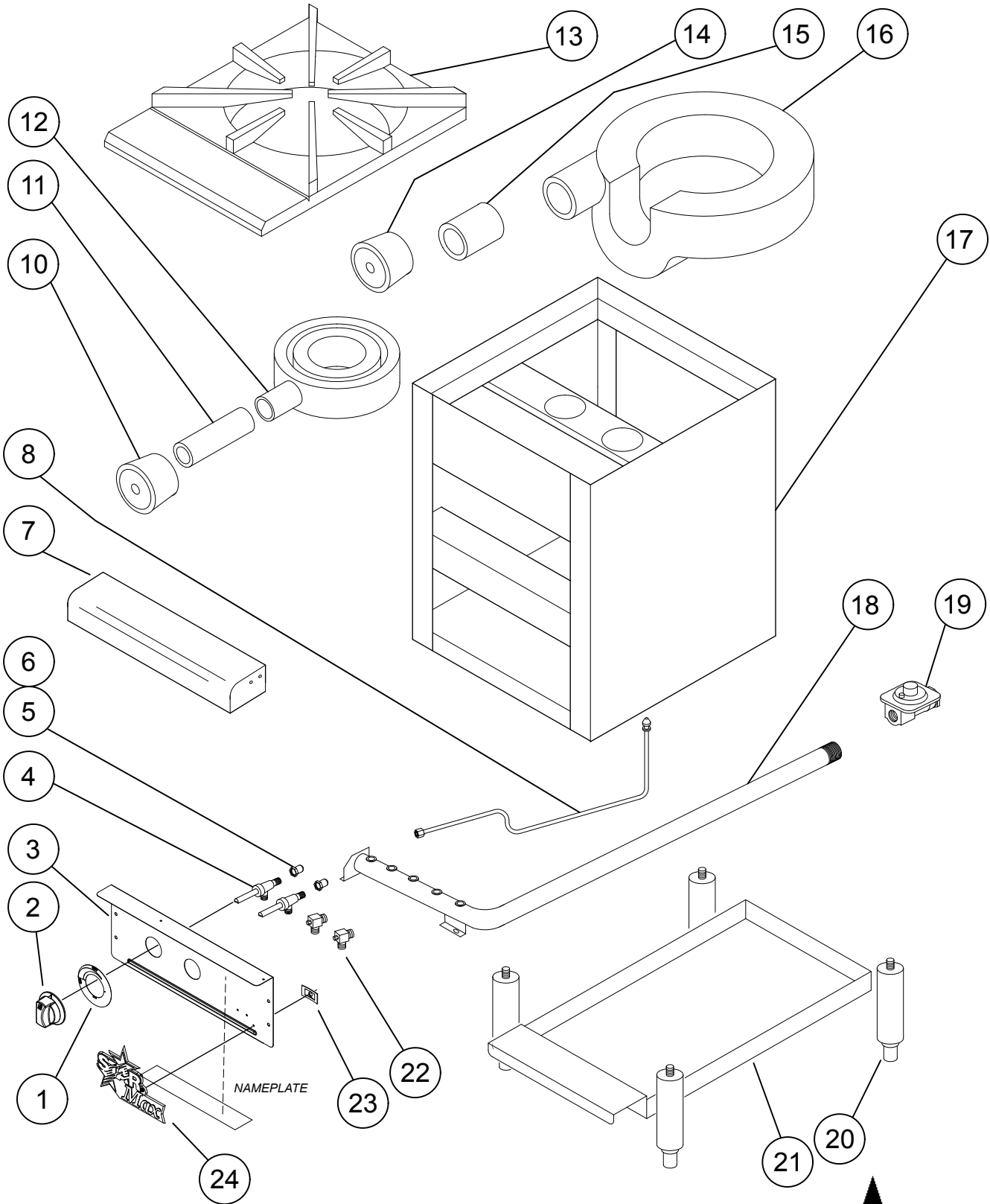
STAR MANUFACTURING INTERNATIONAL, INC.
 SK2595 REV. - 6/16/10

PARTS LIST

October 10, 2014, Rev A

MODEL: 602HF, 604HF, 606HF, 602HF-SU, 604HF-SU, 606HF-SU, 602HF-LP, 604HF-LP, 606HF-LP				
Fig No	Part No.	Qty	Description	Application
1	I4-Z15484	2/4/6	KNOB	ALL 602/604/606HF
2	I4-Z15485	1	PANEL FRONT	ALL 602HF
	I4-Z15492			ALL 604HF
	I4-Z15493			ALL 606HF
3	2V-6671	2/4/6	VALVE-LINCOLN	ALL 602/604/606HF
4	2V-Y8832	2/4/6	VALVE-MANUAL	ALL 602/604/606HF
5	I4-HP0019	1	FRONT BULL NOSE ASSEMBLY	ALL 602HF
	I4-HP0020	1	FRONT BULL NOSE ASSEMBLY	ALL 604 AND 602HWF
	I4-HP0021	1	FRONT BULL NOSE ASSEMBLY	ALL 606HF
6	2A-Z0790	1/2/3	FITTING STRAIGHT	ALL 602/604/606HF
7	I4-Z0869	1/2/3	TUBE 3/8 DIAMETER	ALL 602/604/606HF
	I4-Z0919	1		602HF-SU
	I4-Z0917	1/2		604HF-SU AND 606HF-SU
	I4-Z0918	1		604HF-SU AND 606HF-SU
8	2A-80400-27	2/4/6	ORIFICE #44 NATURAL	ALL 602/604/606HF
9	2A-Y1255	2/4/6	ORIFICE #52 PROPANE	ALL 602/604/606HF
10	2F-Z0747	2/4/6	VENTURI	ALL 602/604/606HF
11	2I-Z0752	2/4/6	GASKET	ALL 602/604/606HF
12	2F-Z0637	2/4/6	GRATE	ALL 602/604/606HF
13	2F-Z0615	2/4/6	BURNER	ALL 602/604/606HF
14	I4-HP0023	1	BODY ASSEMBLY	602HF
	I4-HP0026			602HF-SU
	I4-HP0028			602HWD
	I4-HP0031			604HF
	I4-HP0034			604HF-SU
	I4-HP0036			606HF
	I4-HP0038			606HF-SU
15	2A-Y3961	1/2/3	ORIFICE FITTING	ALL 602/604/606HF
	2A-9369			602HF-SU/604HF-SU/606HF-SU
16	I4-602014	1/2/3	PILOT TUBE ASSEMBLY	ALL 602/604/606HF
	I4-602019			602HF-SU/604HF-SU/606HF-SU
17	I4-602013	1/2/3	PILOT TUBE ASSEMBLY SHORT	ALL 602/604/606HF
18	I4-Z0853	1	BRACKET	ALL 602/604/606HF
19	2J-Z0792	1	PRESSURE REGULATOR	ALL 602/604/606HF Natural Gas (Convertible)
	H3-Z4557	1	REGULATOR-GAS 3/4 NPT LP	602HWD-LP
20	2J-602012	1	MANIFOLD ASSEMBLY	ALL 602HF
	2J-604002			ALL 604HF
	2J-606002			ALL 606HF
21	2A-Z5942	4	FOOT 4"	ALL 602/604/606HF
22	I4-Z6024	1	PAN	ALL 602HF
	I4-Z6025			ALL 604HF
	I4-Z6026			ALL 606HF
23	2F-Z0915	1	SPACER	602HF-SU
24	2M-Z15449	2	FRONT GRAPHIC LABEL	ALL 602
		4		ALL 604
		6		ALL 606
25	2M-Z15804	1	STAR-MAX LOGO	ALL
26	2C-8477	3	CLIP .125 PO STL PHOS	ALL

2M-Z16006; Star-Max Gas Hot Plates



2M-Z16006; Star-Max Gas Hot Plates



GAS HOTPLATE
MODEL 601SPRF

STAR MANUFACTURING INTERNATIONAL, INC.
SK2596 Rev. - 6/07/12

PARTS LIST

October 10, 2014, Rev A

601SPRD, 601SPRD-LP

MODEL: 601SPRF				
Fig No	Part No.	Qty	Description	Application
1	2M-Z15449	2	LABEL, KNOB MAN LG	
2	I4-Z15484	2	KNOB	
3	I4-Z15490	1	PANEL FRONT	
4	2V-Y8832	2	VALVE-MANUAL	
5	2J-Z1157	2	ORIFICE # .125 NATURAL GAS	
6	I4-Z1169	2	ORIFICE #45 PROPANE	
7	I4-Z6203	1	SHIELD-FRONT	
8	I4-601003	2	PILOT TUBE ASSEMBLY	
10	2F-Z0817	1	AIR SHUTTER HOLDER	
11	I4-601004	1	NIPPLE ASSEMBLY, 1 1/4 NPT	
12	2F-Z0616	1	BURNER INNER	
13	2F-Z0827	1	GRATE	
14	2F-Z0941	1	AIR SHUTTER HOLDER	
15	I4-601005	1	NIPPLE ASSEMBLY, 1 1/2 NPT	
16	I4-601007	1	BURNER OUTER ASSEMBLY	
17	I4-601001	1	BODY ASSEMBLY	
18	I4-601002	1	MANIFOLD ASSEMBLY	
19	2J-Z0792	1	PRESSURE REGULATOR	
	H3-Z4557		REGULATOR-GAS 3/4 NPT LP	601SPRF-LP
20	2A-Z1310	4	FOOT 1/2-13, 2" DIAMETER	
21	I4-Z0953	1	TROUGH	
22	2V-6671	2	VALVE-LINCOLN (For Pilot Adjustment)	
23	2C-8477	3	CLIP .125 PO STL PHOS	
24	2M-Z15804	1	STAR-MAX LOGO	

2M-Z16006; Star-Max Gas Hot Plates

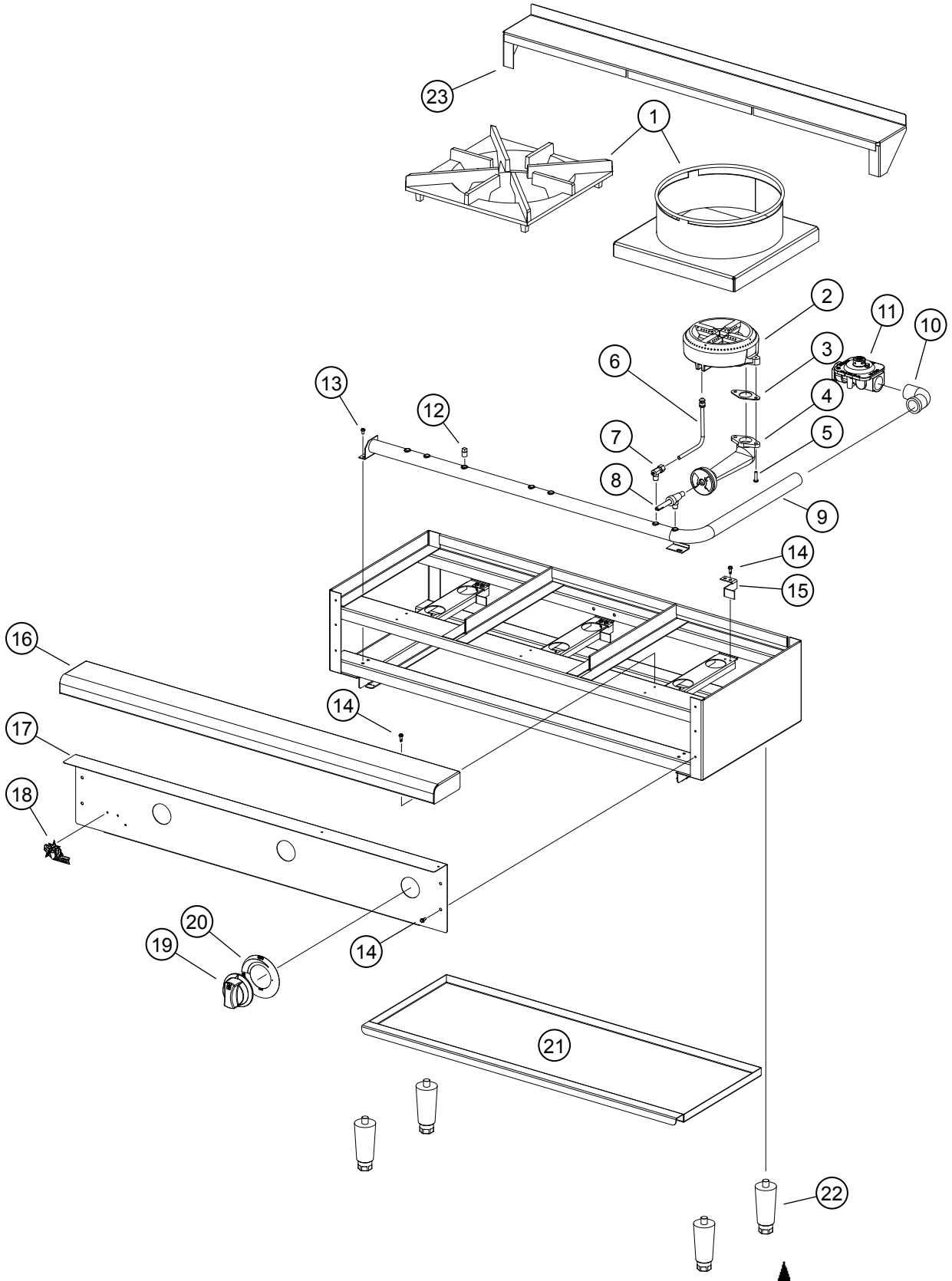
**IMPORTANT: WHEN ORDERING, SPECIFY VOLTAGE OR TYPE GAS DESIRED
INCLUDE MODEL AND SERIAL NUMBER**

PAGE 1
OF 1

Some items are included for illustrative purposes only and in certain instances may not be available.



Star Manufacturing International, Inc.



MODEL: Gas Hotplate
 602HWF, 603HWF
 602HWWF, 603HWWF, WOK



SK2818, Rev. -, 10/16/14

2M-Z16006; Star-Max Gas Hot Plates

PARTS LIST

October 10, 2014, Rev A

Model: 602HWF, 602HWWF, 603HWF,603HWWF				
Fig No	Part Number	Quantity	Description	Application
1	I4-HP0074	2	WOK RING ASSY	602HWWF
		3		603HWWF
	2F-Z16681	2	GRATE, HOTPLATE	602HWF
		3		603HWF
2	2F-Z0615	2	BURNER 7" ROUND	602HWF, 602HWWF
		3		603HWF, 603HWWF
3	2I-Z0752	2	GASKET-BURNER	602HWF, 602HWWF
		3		603HWF, 603HWWF
4	2F-Z0747	2	VENTURI SHORT CASTING	602HWF, 602HWWF
		3		603HWF, 603HWWF
5	2C-1515	4	SCREW 10-24X.75 ST RH NP	602HWF, 602HWWF
		6		603HWF, 603HWWF
6	I4-602013	2	PILOT TUBE ASSY SHORT	602HWF, 602HWWF
		3		603HWF, 603HWWF
7	2V-6671	2	VALVE-LINCOLN BRASS#3817	602HWF, 602HWWF
		3		603HWF, 603HWWF
8	2V-Y8832	2	VALVE-MANUAL GAS	602HWF, 602HWWF
		3		603HWF, 603HWWF
9	2J-602016	1	MANIFOLD ASSEMBLY	602HWF, 602HWWF
	2J-Z19139		MANIFOLD 603HWF	603HWF, 603HWWF
10	2K-Z19317	1	ELBOW STREET 3/4 NPT MF90	
11	2J-Z0792	1	REGULATOR	
12	2P-1453	1	PLUG-PIPE 1/8NPT SQ HEAD	
13	2C-1512	5	SCREW 10-24X3/8 RHP STL	
14	2C-8833	14	SCREW 8-18X1/2 HEX STL NP	602HWF, 602HWWF
		17		603HWF, 603HWWF
15	I4-Z0845	2	BRACKET FRONT	602HWF, 602HWWF
		3		603HWF, 603HWWF
16	I4-HP0020	1	FRONT BULLNOSE ASSY	602HWF, 602HWWF
	I4-HP0021			603HWF, 603HWWF
17	I4-Z19138	1	FRONT PANEL 603HWF	602HWF, 602HWWF
	I4-Z15491		FRONT PANEL 602HW	603HWF, 603HWWF
18	2M-Z15804	1	STAR MAX LOGO ABS	
	2C-8477	3	CLIP .125 PO STL PHOS	
19	I4-Z15484	2	KNOB ASSEMBLY LG GAS KEYB	602HWF, 602HWWF
		3		603HWF, 603HWWF
20	2M-Z15449	3	KNOB LABEL MAN LG	602HWF, 602HWWF
		3		603HWF, 603HWWF
21	I4-Z6027	1	PAN	602HWF, 602HWWF
	I4-Z19140		PAN 603HW	603HWF, 603HWWF
22	2A-Z5942	4	FOOT, 1/2-13 X 4"L.	
23	I4-Z19222	1	BACK SHELF	602HWWF
	I4-Z19223			603HWWF
NI	2A-80400-27	2	ORIFICE HOOD .0860 #44, NAT	602HWF, 602HWWF
		3		603HWF, 603HWWF
NI	2A-Y1255	2	HOOD-BURNER #52, LP	602HWF, 602HWWF
		3		603HWF, 603HWWF

Some items are included for illustrative purposes only and in certain instances may not be available.

2M-Z16006; Star-Max Gas Hot Plates



Star Manufacturing International, Inc.

RÉGLAGE DES BRÛLEURS

Retirez le panneau frontal afin de pouvoir accéder aux obturateurs d'air principaux. Lorsque le robinet de contrôle du brûleur frontal est en position "ON", fermez les obturateurs d'air afin d'obtenir une flamme bleue dont les extrémités sont lumineuses et de façon à ce que la flamme ne soit pas jaune. Serrez ensuite les vis de serrage. Reprenez cette procédure pour le brûleur arrière.

RÉGLAGE DE L'UNITÉ POUR L'UTILISATION AU PROPANE

Les unités sont envoyées avec les couvercles d'orifices et le régulateur pour une utilisation au gaz naturel (à 152 mm de colonne d'eau - 6 pouces). Pour convertir l'unité au propane, suivez les instructions ci-dessous (Note: Les modèles de LP sont usine pré-réglés pour le gaz de propane et n'exigent une conversion. Ceux-ci peuvent être convertis en gaz naturel en utilisant les orifices de gaz naturel et convertissant le régulateur en gaz naturel):

1. Réglez la pression de sortie du régulateur à 254 mm de colonne d'eau (10 pouces). Un tuyau de 1/8 de pouce sur le conduit peut être retiré pour y connecter une jauge de pression. Retirez le couvercle rainuré du régulateur de pression et insérez-y la prise. Remplacez le couvercle sur le régulateur et branchez sur le conduit. Le régulateur est maintenant réglé à 254 mm de colonne d'eau (10 pouces).

2. Retirez les orifices no. 46 pour le gaz naturel sur tous les modèles, sauf le modèle 601SPRF (no. 125 pour le Modèle 601SPRF), et installez les orifices pour le propane, peints en noir (no. 54 pour tous les modèles à l'exception du Modèle 601SPRF qui utilise les orifices no. 45), situés dans l'étui placé à l'extérieur du panneau avant. Pour retirer les orifices pour le gaz naturel :

- a. Retirez les grilles et les brûleurs.
- b. Retirez les orifices des robinets manuels et des raccords sur les tuyaux à gaz et remplacez-les avec les orifices à propane.
- c. Réinstallez les brûleurs et les grilles.

PROCÉDURE DE FONCTIONNEMENT

Chaque brûleur fournira jusqu'à 25,000 BTU/heure de chaleur sur tous les modèles à l'exception du Modèle 601SPRF (sur ce modèle, les brûleurs fourniront 55,000 BTU/heure de chaleur pour le gaz naturel et 45,000 BTU/heure pour le propane). Les brûleurs sont contrôlés par un bouton manuel On/Off. Le bouton droit contrôle le brûleur avant et le bouton gauche contrôle le brûleur arrière sur tous les modèles à l'exception du Modèle 601SPRF. Sur ce dernier modèle, le bouton droit contrôle le brûleur situé vers l'intérieur et le bouton gauche contrôle le brûleur situé vers l'extérieur. Après que les veilleuses aient été allumées et réglées, les brûleurs s'allumeront automatiquement lorsque vous placerez simplement le bouton entre On et Off.

NETTOYAGE DE L'EXTÉRIEUR

(Acier inoxydable seulement)

La surface externe peut être nettoyée en utilisant un linge propre et doux. Les décolorations peuvent être nettoyées à l'aide d'un agent nettoyant non abrasif. Les grilles des brûleurs et l'égouttoir peuvent être retirés pour être nettoyés.

MAINTENANCE ET RÉPARATIONS

Contactez l'usine ou l'un de ses représentants, ou bien encore une société de services locale pour la maintenance et les réparations nécessaires.

RECHERCHE DE FUTES DE GAZ
Il est possible d'utiliser une solution à base d'eau et de savon ou tout autre matériau acceptable pour localiser les fuites de gaz. Des allumettes, des bougies ou autres sources d'ignition ne devraient en aucun cas être utilisées dans ce but.

ALIMENTATION D'AIR

Vous devrez prévoir une alimentation en air adéquate.

OUVERTURES EN DESSOUS DE L'UNITÉ

Assurez-vous que les ouvertures situées en dessous de l'unité ne sont pas obstruées. Elles sont primordiales pour une combustion adéquate et un bon fonctionnement de l'appareil.

HOTTE ASPIRANTE

Il est primordial que des installations soient prévues pour l'évacuation des gaz et fumées.

ENTRÉE DE GAZ DES CUISINIÈRES À GAZ À PLAQUE OUVERTE

Pour le gaz naturel: Tous les modèles à l'exception du Modèle 601SPRF: 25,000 BTU/H pour chacun des brûleurs. Modèle 601SPRF: 55,000 BTU/H pour chacun des brûleurs. La pression de sortie du régulateur est à 152 mm de colonne d'eau (6 pouces).

Pour le propane: Tous les modèles à l'exception du Modèle 601SPRF: 22,000 BTU/H pour chacun des brûleurs. Modèle 601SPRF: 45,000 BTU/H pour chacun des brûleurs. La pression de sortie du régulateur est à 254 mm de colonne d'eau (10 pouces).

Remarque : L'appareil est équipé de couvercles d'orifices pour le gaz naturel. Un autre ensemble de couvercles est fourni pour utiliser l'appareil avec du propane. Les couvercles pour le propane sont situés sur le panneau frontal. Les usines réglés modèles de LP n'incluent pas les capots de gaz naturel.

INSTRUCTIONS POUR L'ALLUMAGE

L'appareil est équipé de veilleuses d'allumage qui brûlent en permanence. Ces veilleuses sont situées devant chaque brûleur sur les Modèles 602HWF, 602HWD, 602HWF et 606HF. Sur les Modèles 602HF-SU, 604HF-SU et 606HF-SU, les veilleuses sont situées devant les brûleurs pour les brûleurs avant et sur les côtés des brûleurs arrière. Sur le Modèle 601SPRF, les veilleuses sont situées sur le côté droit de chaque brûleur. Les veilleuses devraient être allumées dès que le gaz est ouvert au moyen du robinet d'arrêt manuel.

1. Placez les boutons en position "OFF".

2. Allumez les veilleuses à l'aide d'un briquet.

3. Les robinets des veilleuses sont situés sur le conduit installé à l'avant de l'unité, derrière le panneau frontal. Pour accéder aux robinets, retirez le panneau frontal en dévissant les quatre (4) vis le retenant au cadre. Tournez les vis de réglage situées à l'avant des robinets des veilleuses. Les veilleuses devront être réglées de façon à ce que la flamme soit bleue et courte (un quart de pouce de haut) pour obtenir un bon allumage les brûleurs.

4. Si une ou des veilleuses sont éteintes, fermez le gaz, attendez 5 minutes et reprenez les étapes (1) à (3).

5. Installez le panneau frontal sur l'avant du cadre.

canalisation d'alimentation de gaz.
l'unité. Gardez la protection en place jusqu'à ce que vous soyez prêt à effectuer la connexion à la
l'entrée de gaz pour cet appareil est scellée à l'usine pour éviter que des saletés ne pénètrent dans

CONNEXION DE LA CANALISATION D'ALIMENTATION DE GAZ

l'appareil. Ce robinet n'est pas fourni.
Un robinet d'arrêt manuel devrait être installé en amont de l'unité, à environ 183 cm (6 pieds) de

ROBINET D'ARRÊT MANUEL

distribution en retirant le panneau frontal.
installé sur le conduit de distribution pour vérifier la pression. Il est possible d'accéder au conduit de
L'alimentation de gaz doit ensuite être connectée au régulateur. Un robinet de 1/8 de pouce est
assurez-vous que la flèche du flux de gaz sur le régulateur pointe vers le conduit de distribution.
pression de eau colonne.) Reliez le régulateur au tuyau d'alimentation situé à l'arrière de l'unité et
avec du gaz naturel est fourni avec l'appareil. (Pour le LP modèle le régulateur est placé pour 10"
Un régulateur de pression convertible réglé à 152 mm de colonne d'eau (6 pouces) pour être utilisé

RÉGULATEUR DE PRESSION

Mur	9"	14"	Cuisinière
Mur	0"	0"	Plaques Chauffantes
Non-Combustible	0"	0"	Non-Combustible

comme suit:
Minimum distances aux mur pour les côtés et le dos des modèles contenus en ce manuel seront

DEGAGEMENT

toute saleté à l'intérieur.
vous installés cet appareil, ainsi que les tuyaux et raccords, assurez-vous qu'ils sont exempts de
gaz de l'appareil endommageront le robinet automatique et affecteront son fonctionnement. Lorsque
pression. AVERTISSEMENT : Toutes les saletés ou particules de métal dans les canalisations de
filetage extérieur des tuyaux. Les pâtes utilisées devraient être résistantes à l'action des gaz basse
est adéquate. La pâte lubrifiante ne devrait être utilisée qu'avec parcimonie et seulement sur le
à des canalisations déjà existantes, elles devraient être vérifiées pour déterminer si leur capacité
façon à fournir une alimentation en gaz suffisante pour l'appareil. Si l'appareil doit être connecté
Les canalisations de gaz devraient être neuves, propres, de taille adéquate et être installées de

CANALISATIONS DE GAZ

NE PAS RETIRER LES PIEDS.

que l'unité soit parfaitement alignée et de niveau avec les autres unités séries Star-Max.
l'unité à niveau en réglant les quatre (4) pieds qui doivent être réglés à 4.45 cm (1.75 pouce) pour
coucher l'appareil sur le côté et vissez les pieds dans les logements situés sous l'appareil. Mettez
Les unités sont envoyées avec les pieds détachés. Pour installer les pieds, retirez les grilles,

MISE À NIVEAU DE L'APPAREIL

Vous pouvez obtenir ces instructions auprès de votre fournisseur local de gaz.
l'opérateur détecterait une odeur de gaz devraient être affichées bien en vue à proximité de l'unité.
l'installation finale. De plus, des instructions détaillées indiquant la marche à suivre dans le cas où
concernant le gaz. Dans tous les cas de figure, la compagnie locale de gaz devrait venir approuver
personnel de cette agence devrait connaître les installations à gaz ainsi que les exigences locales
Pour votre protection, nous recommandons qu'une agence spécialisée installe votre appareil. Le
système d'alimentation de gaz lorsque les pressions d'essai sont égales ou inférieures à 0.5 PSIG.
de l'alimentation de gaz en fermant le robinet d'arrêt manuel pendant les essais de pression du
d'essai sont supérieures à 0.5 PSIG. Cet appareil et le régulateur de pression doivent être coupés
système d'alimentation de gaz pendant les essais de pression du système lorsque les pressions
Cet appareil, le régulateur de pression et le robinet d'arrêt individuel doivent être déconnectés du

ESURE DE SÉCURITÉ
NE PAS ENTREPOSER NI UTILISER DE L'ESSENCE NI AUTRES VAPEURS OU LIQUIDES
INFLAMMABLES À PROXIMITÉ DE CET APPAREIL OU DE TOUT AUTRE APPAREIL.
TENIR TOUT COMBUSTIBLE HORS DU VOISINAGE DE L'APPAREIL.



SYMBOLE DE SÛRETÉ

Ce symbole est prévu pour alerter l'utilisateur à la présence des instructions importantes de fonctionnement et d'entretien du manuel accompagnant l'appareil.



MAINTENEZ CE MANUEL POUR LA FUTURE RÉFÉRENCE

NOTIFICATION

Employer n'importe quelle partie autre que les pièces fournies par usine véritable de Star soulage le fabricant de toute la responsabilité.

NOTIFICATION

Star se réserve le droit de changer des caractéristiques et la conception de produits sans communication préalable. De telles révisions ne ont pas droit l'acheteur aux changements, aux améliorations, aux additions ou aux remplacements correspondants pour l'équipement précédemment acheté.

ENTRETIEN ET RÉPARATIONS

Entrez en contact avec votre agent autorisé local de service pour le service ou l'entretien requis. Référez-vous à la liste autorisée de centre commercial équipée d'unité. Le service SVP de service de Star (1-800-807-9054) disponible pendant des heures de travail normales pour répondre à toutes les questions qui peuvent se poser. Veuillez avoir votre numéro et numéro de série de type pour un service plus rapide.

DONNÉES GÉNÉRALES D'INSTALLATION



Cet équipement est conçu et vendu pour une utilisation commerciale seulement, et pour être utilisé par un personnel formé et expérimenté à son fonctionnement. Cet équipement n'est pas vendu pour être utilisé à la maison ou par le public général dans les lieux de restauration. Pour tout équipement pouvant être utilisé par le public général, prière de contacter l'usine.

Cet appareil à gaz est équipé pour les types de gaz indiqués sur la plaque signalétique à l'avant de l'appareil. Il est envoyé réglé pour une utilisation au gaz naturel.

L'installation de l'appareil devrait être conforme au CODE NATIONAL DU GAZ COMBUSTIBLE "ANSI Z223.1 - DERNIÈRE ÉDITION", AINSI QU'À TOUTES LES RÈGLES ET RÉGLEMENTATIONS DE LA COMPAGNIE DE GAZ LOCALE.

L'INSTALLATION AU CANADA DEVRAIT ÊTRE CONFORME AU CODE D'INSTALLATION AU GAZ NATUREL ACTUEL CAN/CGA-B149.1 OU AU CODE D'INSTALLATION AU PROPANE CAN/CGA-B149.2, AINSI QU'AUX CODES LOCAUX, LE CAS ÉCHÉANT.

AVERTISSEMENT: L'installation, le réglage, la modification, la réparation ou l'entretien incorrect de cet appareil peut causer des dommages matériels, des blessures ou la mort. Lire attentivement les instructions d'installation, de fonctionnement et d'entretien avant de procéder à son installation ou entretien.

PLAQUES CHAUFFANTES AU GAS

MODÈLES

601SPRF

602HWF, 602HWWF, 602HF, 602HF-SU

603HWF, 603HWWF

604HF, 604HF-SU

606HF, 606HF-SU

Instructions

d'installation

et d'opération

2M-Z16006 Rev. A 10/10/2014

