

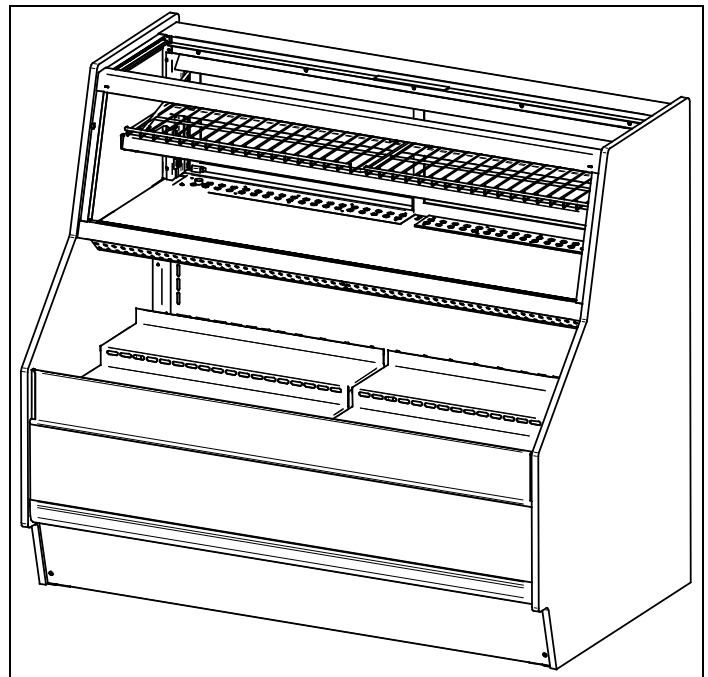


The Signature of Quality®

INSTALLATION & OPERATIONS INSTRUCTIONS
REFRIGERATED SSRC & ESSRC MODELS



SSRC



ESSRC

KEEP THIS MANUAL FOR FUTURE REFERENCE

Engineering and technical data are subject to change without notice.

FEDERAL INDUSTRIES
Toll Free 1(800) 356-4206

215 FEDERAL AVE
WI Phone (608) 424-3331

Belleville, WI 53508
Fax: (608) 424-3234

CONTENTS

INTRODUCTION	4
WARNING LABELS & SAFETY INSTRUCTIONS	5
PRE-INSTALLATION PROCEDURES	6
<u>Inspection For Shipping Damage</u>	6
GENERAL ELECTRICAL & GROUNDING	6
<u>Permanent Connected</u>	6
<u>Cord Connected (Option)</u>	6
<u>Electrical Information</u>	7
INSTALLATION INSTRUCTIONS	8
<u>Locating The Display Case</u>	8
<u>Removing Case From Shipping Skid</u>	8
<u>Cleaning</u>	8
REFRIGERATION	9-10
<u>Self-Contained Models</u>	9
Refrigeration Settings, SSRC	9
Refrigeration Settings, ESSRC.....	9
<u>Remote Models</u>	9
Refrigeration Settings, SSRC Remote.....	9
Remote Refrigeration Operation	9
Remote Refrigeration Instruction	10
SHELVING INSTALLATION & REMOVAL	11-13
<u>Shelf Brackets & Supports Installation</u>	11-12
<u>Wire Shelves Installation</u>	12
<u>Glass Shelves Installation (Option)</u>	13
REAR DOORS	14-16
<u>Top Section Rear Sliding Doors Removal</u>	14
<u>Top Section Rear Swinging Doors Removal</u>	15
<u>Bottom Section Rear Doors Removal (Option)</u>	16
NIGHT CURTAIN (SSRC OPTION)	17
<u>Opening</u>	17
<u>Closing</u>	17
SECURITY NIGHT COVER (SSRC OPTION)	18
<u>Installation</u>	18
<u>Removal</u>	18
OPERATING INSTRUCTIONS	19-23
<u>Power Switch</u>	19
<u>Light Switch</u>	19
<u>Temperature Control</u>	19
Button and Display Overview	20
Powering On Control.....	20
Adjusting the Set Point.....	21
Entering Manual Defrost Mode.....	21
Error Codes	21
Electronic Control Operation	22
Control Parameters	23
<u>Initial Startup</u>	23
<u>Top Section Refrigeration Louver Control</u>	24
<u>Placing Product In Case</u>	24
MAINTENANCE	25
<u>Top Light Bulb Replacement, Fluorescent</u>	25
<u>Shelf Light Bulb Replacement, Fluorescent</u>	25
<u>Top Light Bulb Replacement, LED (Cases mfg'd After 08/01/18)</u>	25
<u>Shelf Light Bulb Replacement, LED (Cases mfg'd After 08/01/18)</u>	25
PERIODIC MAINTENANCE	26
<u>Cleaning Condenser Coil</u>	26

CLEANING INSTRUCTIONS	27-31
<u>Daily Cleaning</u>	27
<u>Weekly Cleaning</u>	28
<u>Weekly Top Section Interior Cleaning</u>	28-29
<u>Weekly Bottom Section Interior Cleaning</u>	30
<u>Weekly Exterior Cleaning</u>	31
SERVICE INFORMATION	32-33
<u>Special Service Situations</u>	32
<u>Pre-Service Checklist</u>	33
SALE & DISPOSAL	34
<u>Owner Responsibility</u>	34
WIRING DIAGRAMS	35-40
<u>Self-Contained SSRC2452 w/ Fluorescent Lights</u>	35
<u>Self-Contained SSRC3652 & ESSRC3652 w/ Fluorescent Lights</u>	36
<u>Self-Contained SSRC5052/5952/7752, ESSRC5052/5952/7752 w/ Fluorescent Lights</u>	36
<u>Self-Contained SSRC2452 w/ LED Lights (Mfg'd After 12/1/19)</u>	37
<u>Self-Contained SSRC3652 & ESSRC3652 w/ LED Lights (Mfg'd After 12/1/19)</u>	38
<u>Self-Contained SSRC5052/5952/7752, ESSRC5052/5952/7752 w/ LED Lights (Mfg'd After 12/1/19)</u>	38
<u>Remote SSRC2452, SSRC3652 w/ Fluorescent Lights</u>	39
<u>Remote SSRC5052/5952/7752 w/ Fluorescent Lights</u>	39
<u>Remote SSRC5052/5952/7752 w/ LED Lights (Mfg'd After 12/1/19)</u>	40
REPLACEMENT PARTS - SSRC	41-44
REPLACEMENT PARTS - ESSRC	44-46

INTRODUCTION

Thank you for purchasing a Federal Industries display case. This manual contains important instructions for installing and servicing the Refrigerated Self-Service Merchandisers. A repair parts list and wiring diagram are also included in the manual. Read all documents carefully before installing or servicing your case.



NOTICE

Read this manual before installing your case. Keep this manual and refer to it before doing any service on the equipment. Failure to do so could result in personal injury or damage to the case.



NOTICE

Installation and service of the electrical components in the case must be performed by a licensed electrician.

The portions of this manual covering components contain technical instructions intended only for persons qualified to perform electrical work.



DANGER

Improper or faulty hookup of electrical components in the case can result in severe injury or death.

All electrical wiring hookups must be done in accordance with all applicable local, regional, or national standards.

REGISTRATION & SERIAL NUMBER

It's important to keep a record of the model and serial number of your merchandiser for warranty and part identification. Please write them here for your quick reference.

Register your product online! Visit our website at www.federalindustries.com and register your product today.

Case Model _____ Serial Number _____

We're here to provide you with the best possible experience with your new product, however, we cannot cover everything about your merchandiser in this manual, so if you have any additional questions or issues, please see the SERVICE INFORMATION PAGE to find who you should contact.

WARNING LABELS & SAFETY INSTRUCTIONS



This is the safety-alert symbol. When you see this symbol on your case or in the manual, be alert to the potential for personal injury or damage to your equipment.

Be sure you understand all safety messages and always follow recommended precautions and safe operating procedures.



NOTICE TO EMPLOYERS

You must make sure that everyone who installs, uses, or services your case is thoroughly familiar with all safety information and procedures.

Important safety information is presented in this section and throughout the manual. The following signal words are used in the warning and safety messages:

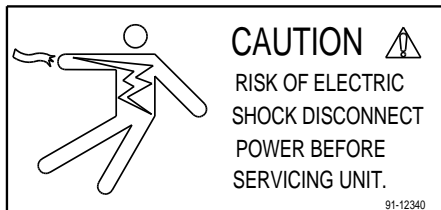
DANGER: Severe injury or death will occur if you ignore the message.

WARNING: Severe injury or death can occur if you ignore the message.

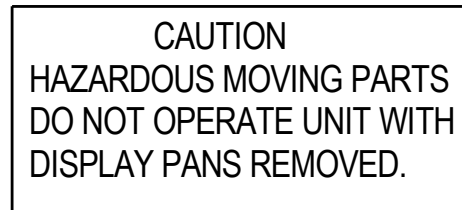
CAUTION: Minor injury or damage to your case can occur if you ignore the message.

NOTICE: This is important installation, operation, or service information. If you ignore the message, you may damage your case.

The warning and safety labels shown throughout this manual are placed on your Federal Industries case at the factory. Follow all warning label instructions. If any warning or safety labels become lost or damaged, call our customer service department at 1(800) 356-4206 for replacements.



This label is located on the back of the display case.



This label is located below the display pan.

PRE-INSTALLATION PROCEDURES

Inspection for Shipping Damage

You are responsible for filing all freight claims with the delivering truck line. Inspect all cartons and crates for damage as soon as they arrive. If damage is noted to shipping crates, cartons, or if a shortage is found, note this on the bill of lading (all copies) prior to signing.

If damage is discovered when the case is uncrated, immediately call the delivering truck line and follow up the call with a written report indicating concealed damage to your shipment. Ask for an immediate inspection of your concealed damage item. Crating material must be retained to show the inspector from the truck line.

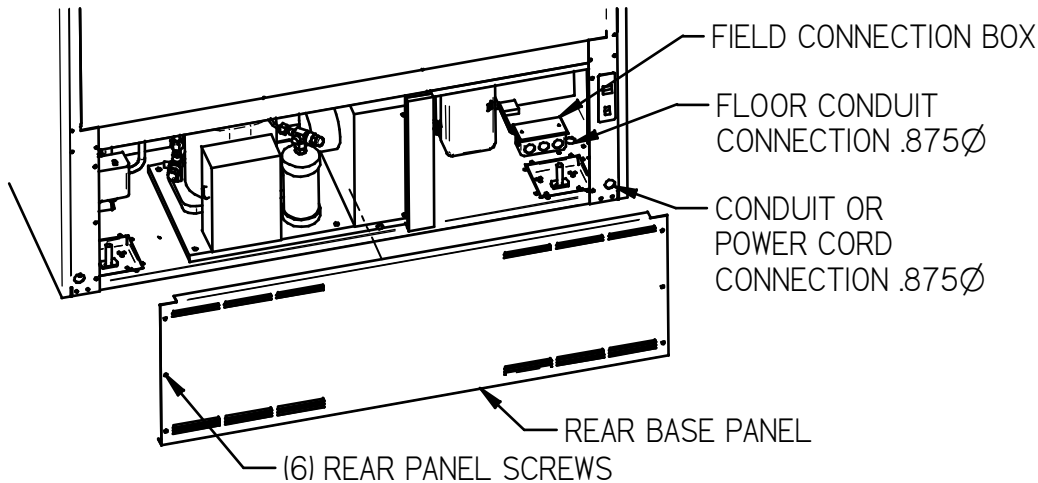
GENERAL ELECTRICAL & GROUNDING



DANGER: Improper or faulty hookup of electrical components in the display case can result in severe injury or death.

Permanent Connected (OPTION)

- Only a licensed electrician must perform all case electrical connections.
- All electrical wiring hookups must be done in accordance with all applicable local, regional, or national electrical standards.
- A separate circuit for each display case is required to prevent other appliances on the same circuit from overloading the circuit and causing malfunction.
- The electrical service must be grounded upon installation.
- See the electrical data plate located at the rear of the case for proper circuit size and wire ampacity.
- The electrical connection box is accessible from the rear of the case with rear grill removed.



Cord Connected (OPTION)

- A factory installed optional power cord is properly sized to the amperage requirements of the case. See the electrical data plate located on the rear exterior of the case for the proper circuit size for each case.
- The cord is factory installed protruding from the rear corner of the case.
- A separate circuit for each display case is required to prevent other appliances on the same circuit from overloading the circuit and causing malfunction.

Electrical Information.

PERMANENTLY CONNECTED					
MODEL	SELF CONTAINED			REMOTE	
	VOLTAGE	TOTAL AMPS	MAX FUSE SIZE	VOLTAGE	MAX FUSE SIZE
SSRC2452	120/60/1	11.3	20	120/60/1	15
SSRC3652	120/60/1	14.3	20	120/60/1	15
SSRC5052/ ERSSC5052	230/60/1	9.5	15	120/60/1	15
SSRC5952/ ERSSC5952	230/60/1	14.5	20	120/60/1	15
SSRC7752/ ERSSC7752	230/60/1	14.5	20	120/60/1	15

CORD CONNECTED OPTIONAL			
MODEL	SELF CONTAINED		
	VOLTAGE	TOTAL AMPS	CORD STYLE
SSRC2452	120/60/1	11.3	20AMP NEMA 5-20
SSRC3652	120/60/1	14.3	20AMP NEMA 5-20
SSRC5052/ ERSSC5052	230/60/1	9.5	15AMP NEMA 6-15
SSRC5952/ ERSSC5952	230/60/1	14.5	15AMP NEMA 6-20
SSRC7752/ ERSSC7752	230/60/1	14.5	15AMP NEMA 6-20

(E3091-3 EXCEL)

INSTALLATION INSTRUCTIONS

Locating Display Case

The case should be located where it is not subjected to the direct rays of the sun, heating ducts, grills, radiator, or ceiling fans, nor should it be located near open doors or main door entrances. Also, avoid locations where there are excessive air movement or air disturbances.

The case requires a minimum of 12” clearance at the rear of the unit for air discharge. Do not locate case with back tight against the wall.

No clearance is needed on sides of the unit.

Removing Case From Shipping Skid and General Installation



CAUTION: Do not push or pull against the top end glass, or door frames and do not pull on end panels when removing the case from the skid or moving the case. Case damage or glass breakage will result.

1. Remove crate top and sides and note missing or damaged items as explained in the pre-installation procedures outlined above.
2. Move the case as near as possible to the final location and before removing it from the shipping skid.
3. Remove the (4) brackets that secure the case to the shipping skid.
4. Prepare cabinet according to instructions in this section that pertain to your model.
5. Lift the case off of skid and into required position. Only lift the case from under the rear lip and front bottom trim channel above the base. Note: Do not push or pull on front bottom trim channel.
6. The case must be level for proper drainage of defrost condensate to the condensate evaporator. Using the wrench provided level and square the case as needed by adjusting the leg leveler in each corner of base. The 6' cases also have a set of leg levelers in the center. These must be adjusted so the base is flat.
7. The leveled case must be sealed to the floor using a NSF Listed Sealant.

Cleaning

For initial setup, clean the case as outlined in the “Weekly Cleaning” section of this manual.

REFRIGERATION

Self-Contained Models

SELF CONTAINED					
WITH ELECTRONIC CONTROL	SSRC2452	SSRC3652	SSRC5052/ ERSSC5052	SSRC5952/ ERSSC5952	SSRC7752/ ERSSC7752
Refrigeration R404 Charge	25 OZ	30 OZ	32 OZ	34 OZ	36 OZ

(E3091-3 EXCEL)

The self-contained models are shipped from the factory with a completely operational 404A refrigeration system and require no modifications or adjustments upon installation. Case must be installed as per the installation section of this manual to provide proper condensing air cooling.

The dual pressure control is used as a safety device and is factory set. The pressure control works on a differential. The low-pressure side is a safety to protect the compressor in the case of refrigerant loss. The high-pressure side is a safety to protect from system failure causing too high of system pressure.

The high side of the pressure control is factory set to 400psi and is not adjustable. Low side setting for the R404a cases are set at 40psi differential for the cutout and 60psi for the cut-in.

Note: The condenser fan runs continuously.

This unit also has a defrost timer that will shut the compressor off a set number of times per day to insure a full defrost occurs. The compressor will remain off until the either the off time is reached or until the temperature sensor on the coil reaches a set temperature, which ever happens first.

Remote Models

REMOTE					
	SSRC2452R	SSRC3652R	SSRC5052R/ ERSSC5052R	SSRC5952R/ ERSSC5952R	SSRC7752R/ ERSSC7752R
Refrigeration R449 Charge			CHARGED IN FIELD		
Remote Low Press. Switch Cut In			50		
Remote Low Press. Switch Cut Out			15		
Remote High Press. Switch Cut Out			450 psi		
BTU Requirement @90F/20F	3600	4400	5400	6400	7400

(E3091-3 EXCEL)

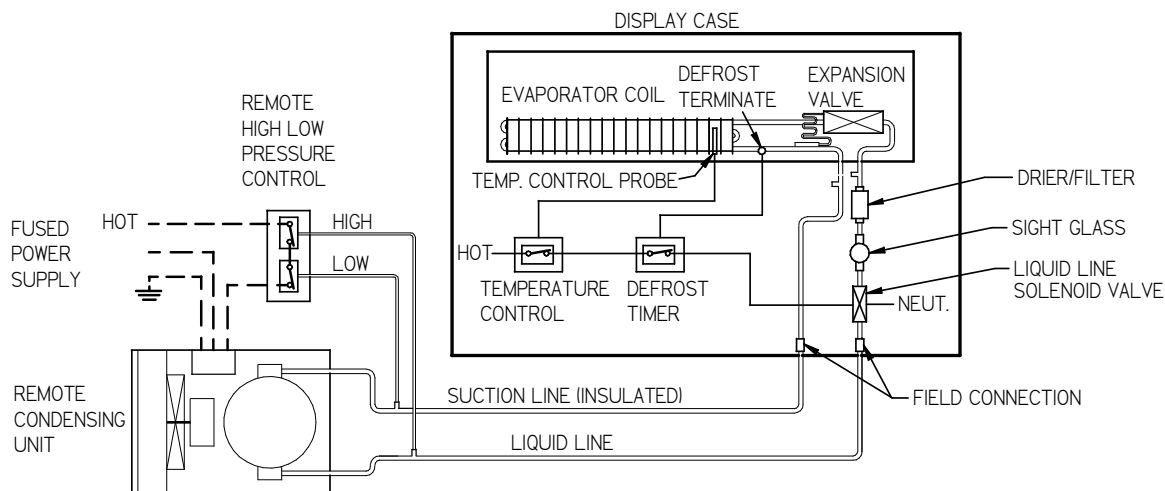
Remote Refrigeration Operation

The remote models are designed to use R449 refrigerant and shipped from the factory with the evaporator coil, expansion valve, drier filter, sight glass and refrigerant solenoid valve. A thermostat senses evaporator temperature and opens and closes the refrigerant solenoid valve. The solenoid valve closes and shuts off the refrigeration flow to the unit and initiates a pump down cycle. This will allow the remote low-pressure switch to open and shut off remote compressor. The temperature control may require some adjustment by installer for proper operation of unit. This unit also has a defrost timer that will shut the refrigeration solenoid off a set number of times per day (set at factory for 3 times per day) to insure a full defrost occurs. The solenoid will remain off until the either the off time is reached or until the temperature sensor on the coil reaches a set temperature, whichever happens first.

The condensing unit is optionally supplied from the factory for remote location installation. The condensing unit supplied from the factory will include a high/low pressure switch that must be mounted and wired by the installer. The high/low pressure switch must be wired in series with the compressor power supply as shown in diagram below. If the factory is not providing the condensing unit a high/low pressure switch will need to be supplied by installer and installed by installer.

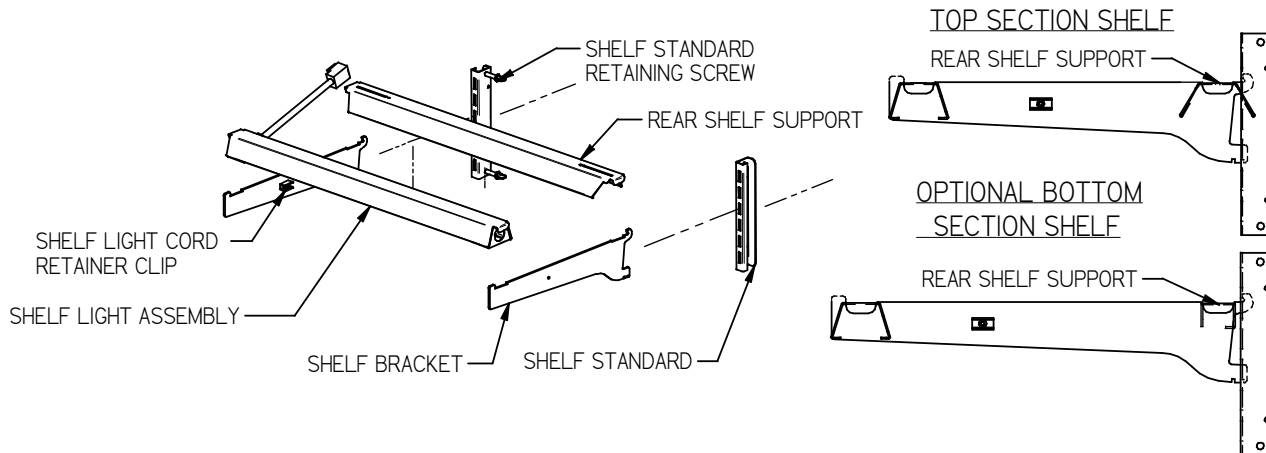
Remote Refrigeration Instructions

1. Mount condensing unit indoors as close to the remote display case as practical. The refrigeration line should be as short as possible.
2. All refrigeration and/or electrical materials between the condensing unit and display case are to be supplied by installing contractor.
3. Route properly sized and designed refrigeration lines from the condensing unit to the cabinet. Horizontal suction lines should be pitched downward towards the condensing unit at least $\frac{1}{2}$ " per 10' run to aid the oil drainage. A "P" trap must be installed in the suction line at the foot of every riser to insure oil return. Dry nitrogen must be used to flow through tubing while brazing refrigeration lines.
4. Suction line must be insulated the entire length with Armaflex (or equivalent). Do not run liquid line inside insulation with suction line.
5. The remote high/low-pressure control must be mounted, wired and set pressures by the installer.
6. Leak check condensing unit, cabinet, and all connecting tubing. Cabinet and condensing unit tubing should be checked to insure no leaks occurred during shipping or from rough handling. Make certain all refrigeration valves are opened and evacuate system to 500 microns. Charge the system with refrigerant type specified on the data plates.

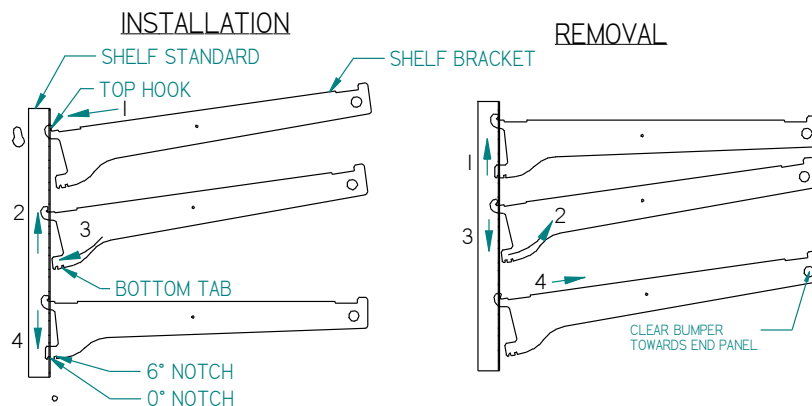


SHELVING INSTALLATION & REMOVAL

Shelf Bracket & Supports Installation



1. Turn the light switch to the off position. Remove rear doors as described in the “Rear Sliding Door Removal” section of this manual to allow access to interior of case. On 24” cases, open the rear swinging door past 90° until it locks in the open position.
2. Follow the instruction in the illustration below and insert (1) of the (2) shelf brackets in the desired shelf standard slot on one side of the case. Place the additional shelf bracket in the same shelf standard slot on the opposite end of case. The bracket with a shelf light cord retainer clip must be on the side with the shelf light receptacle. Shelf brackets on the 24” case may have bends, making them left-hand or right-hand specific. Install the brackets so they are farthest spread apart at the front of the case.



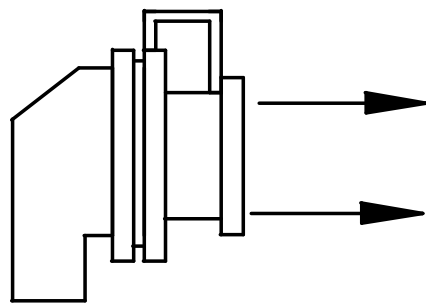
1. Place shelf bracket top hook into desired shelf standard slot.
2. Lift shelf bracket top hook to allow shelf bracket bottom tab to clear shelf standard slot.
3. Swing shelf bracket bottom tab into shelf standard slot.
4. Place the desired shelf bracket notch of 0, 6, or 12 degrees onto bottom of shelf standard slot.

1. Lift shelf bracket up to allow shelf bracket notch to clear the bottom of shelf standard slot.
2. Swing shelf bracket bottom tab out of shelf standard slot.
3. Drop shelf bracket down to allow shelf bracket top hook to clear top of shelf standard slot.
4. remove shelf bracket top from shelf standard slot.

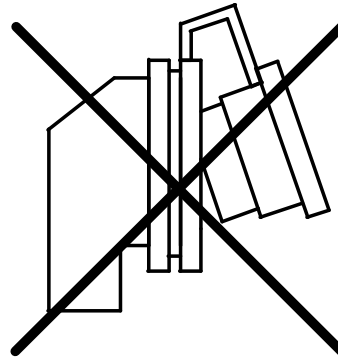
3. Hang one end of shelf light housing or shelf support on the front notch of a shelf bracket. Hang the other end of shelf light housing or shelf support on the notch of the shelf bracket on the opposite end.
4. Push shelf light cords into plastic shelf cord retainer clip located on inside of shelf bracket.

- Remove the cap from the appropriate female light sockets.

IMPORTANT: Grip each side of cap firmly and wiggle and pull cap straight out of socket. Do not roll cap during removal. Incorrect removal of cap may cause damage to electrical connection.



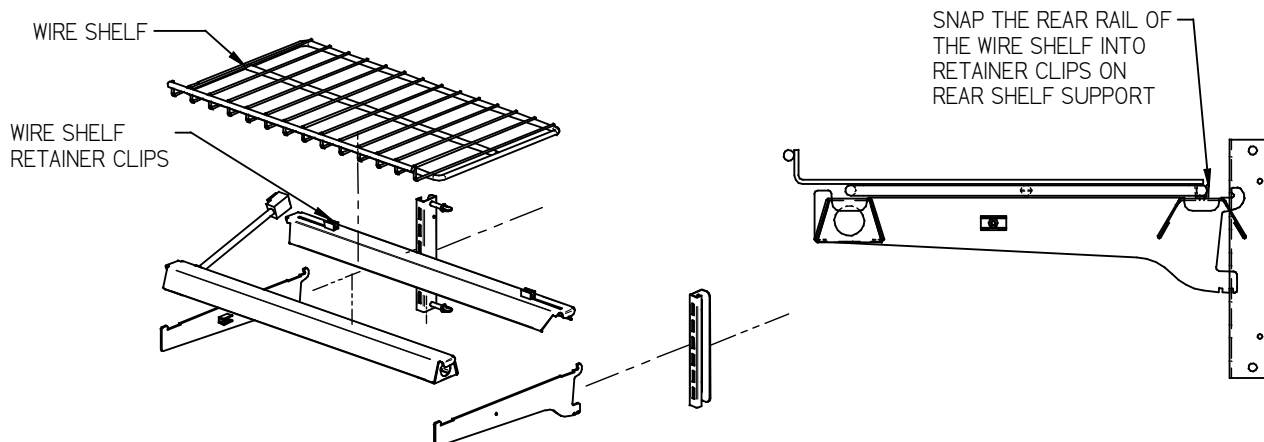
RIGHT



WRONG

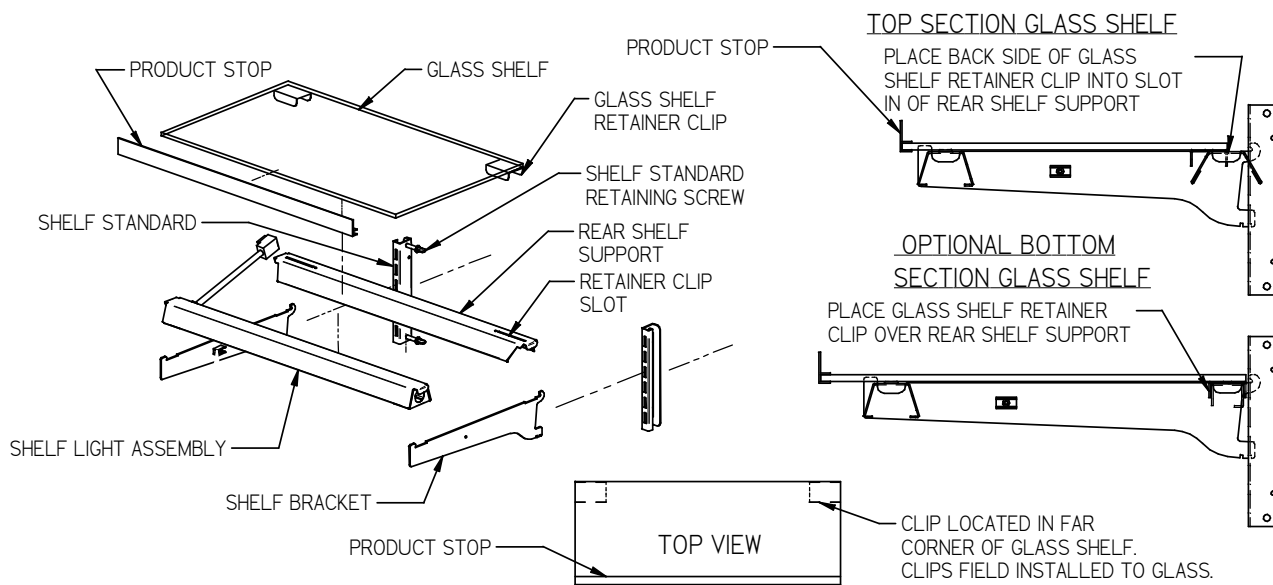
- If the socket is not being used for a shelf light, the cap must be plugged into the socket. On models with the 5 pin shelf plug, this is necessary for the entire light system to operate. On models with the 3 pin shelf plug, this is necessary to prevent buildup and damage to receptacle.
- Plug in each shelf light by aligning the male pins on the appropriate shelf light cord plugs with the female light sockets and push together. **IMPORTANT:** Do not roll plug during insertion.
- Hang one end of the shelf support on to the rear notch of one shelf bracket and then on the rear notch of the shelf bracket on the opposite side. **NOTE:** If the bottom open section shelf is supplied instead of step risers, the bottom rear support is not the same as the top rear support. See illustration above.
- Place supplied shelving onto shelf supports as outlined in the appropriate “Shelf Installation” section of this manual.
- Removal of shelving is performed by following steps in reverse order.
- The shelf standards are removable from case by removing the (2) shelf standard retaining screws holding them to the inside wall of case.

Wire Shelves Installation



- Install shelf brackets & shelf supports as described in Shelf Bracket & Supports Installation Section of this manual.
- Place the front of wire shelf onto front shelf light or front shelf support.
- Snap the rear of shelf into the clear plastic clips on rear shelf support.

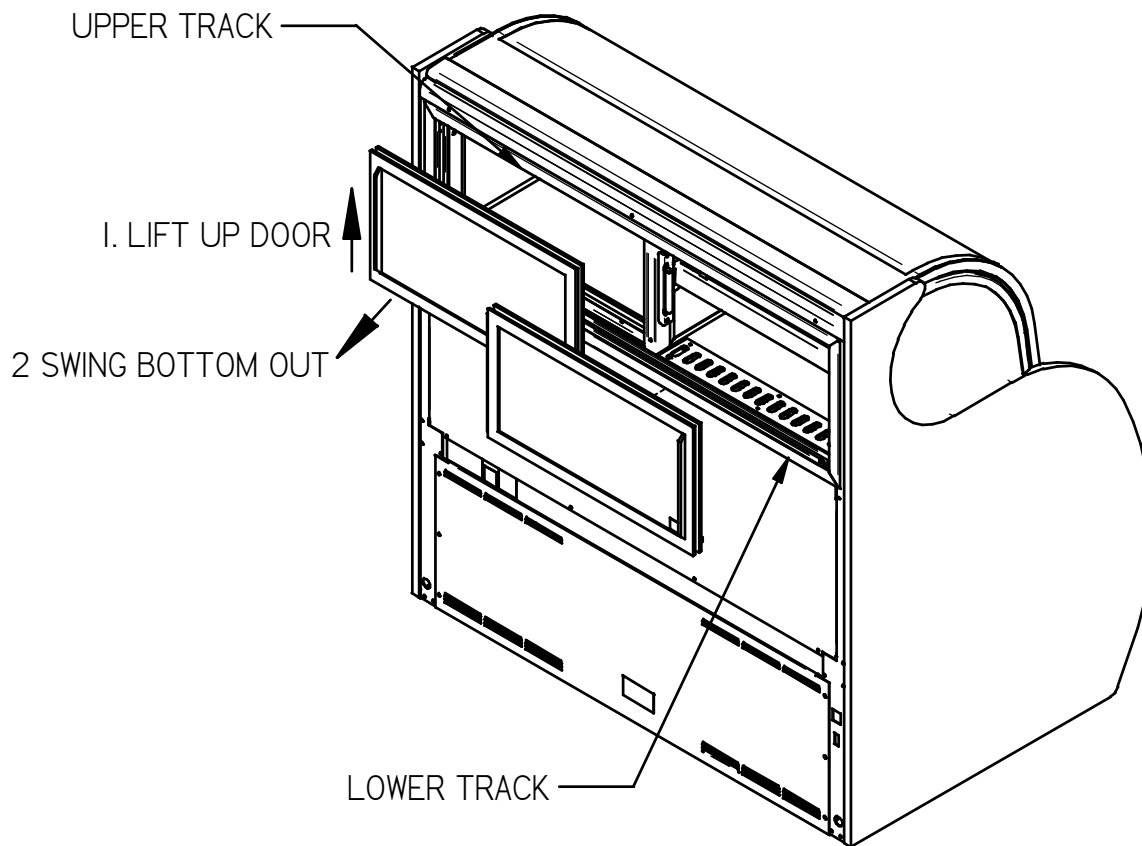
Glass Shelves Installation



1. For first time installation attach (2) glass shelf retainer clips to each glass shelf in location shown in illustration. Clean area of glass where glass shelf holder is to be located with rubbing alcohol and let air dry before installing shelf glass holder. Remove backing from tape located on flat side of glass shelf holder. Position the glass shelf holders in the (2) far corners of glass. Repeat for each glass shelf.
2. For first time installation attach (1) product stop to each glass shelf as shown in detail above. Align the product stop edge with the edge of the glass and push the “U” portion of the product stop on to glass lip across the entire front of glass.
3. Attach a clear bumper on both sides of the light housing top surface for the front of the glass to set on. This step may have already been performed at the factory for you.
4. Place front of glass shelf onto clear bumpers on front shelf light. (On front shelf support for models without shelf lights.)
5. If clear plastic clips were factory-installed on top of rear shelf support, remove and discard clear plastic clips.
6. For SSRC top section glass shelf set the rear of the glass shelf onto the rear shelf support so that the back side of the glass shelf retainer sets into the slot on the rear shelf support. For ESSRC top section glass shelf and all optional bottom section glass shelves, set the rear of the glass shelf onto the rear shelf support so that the back side of the glass shelf retainer straddles the rear shelf support.

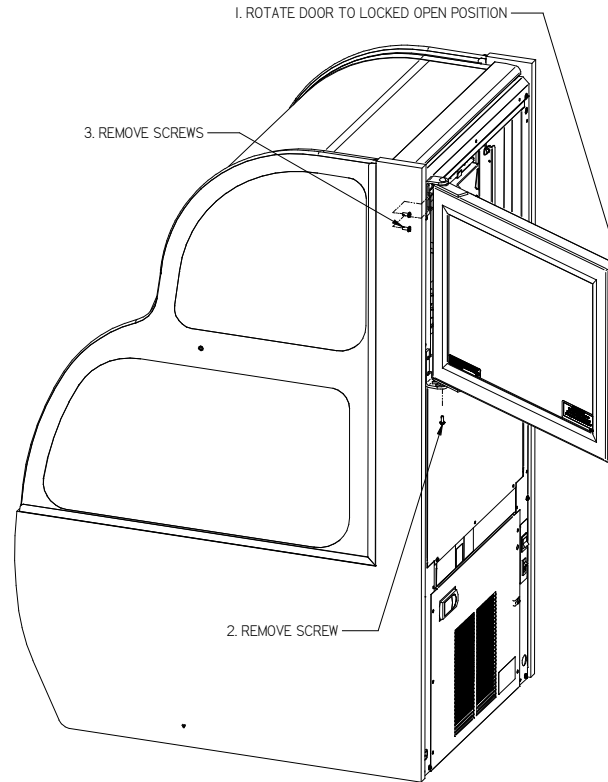
REAR DOORS

TOP SECTION REAR SLIDING DOORS REMOVAL



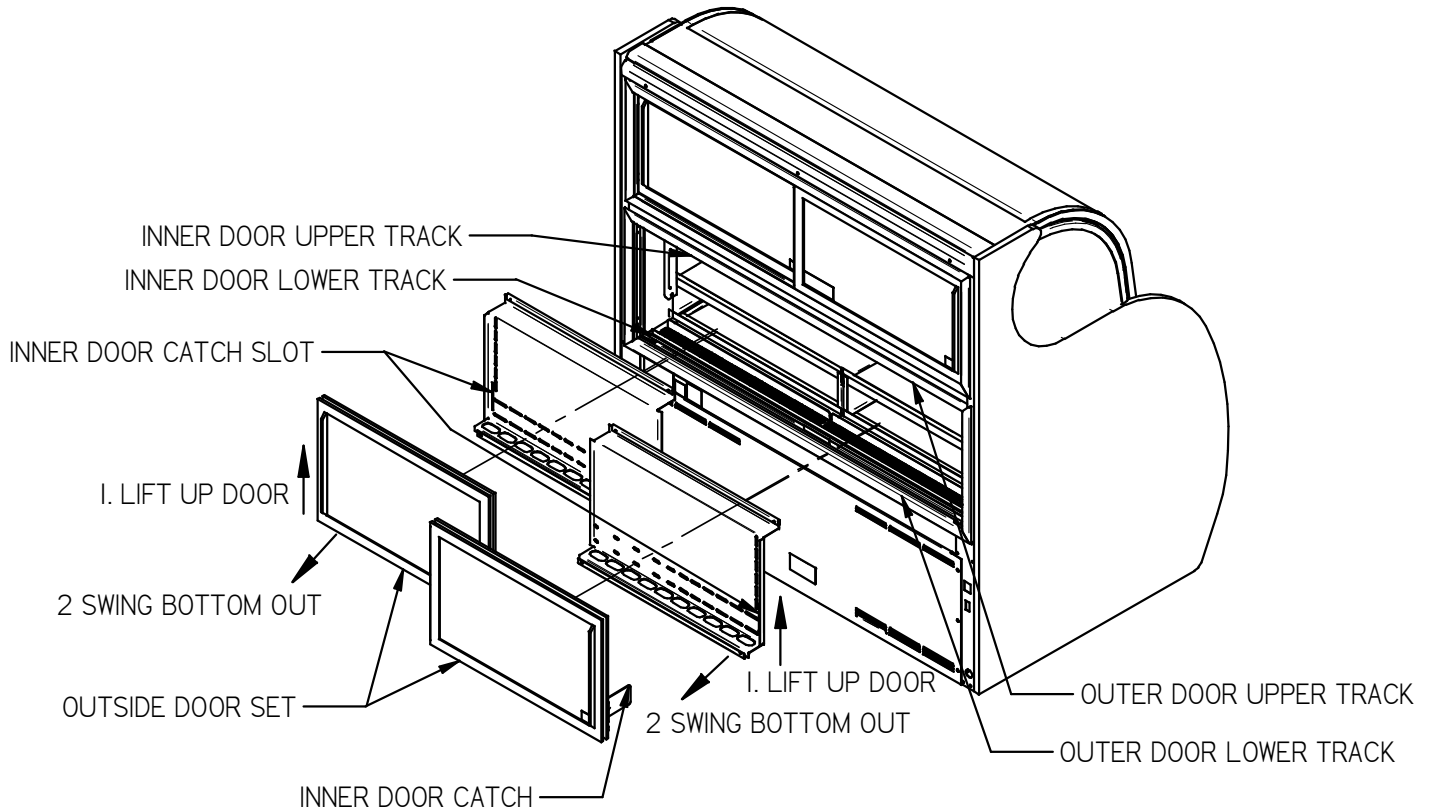
1. Starting with the outer door, lift the door upward until the bottom edge of door clears the lower track and then swing the bottom of the door outward and down out of upper track.
2. After the outer door is removed repeat the procedure for the inner door.
3. Reverse this procedure for door reinstallation. The doors are not interchangeable.

TOP SECTION REAR SWINGING DOOR REMOVAL



1. Open the door. Continue to rotate the door past the 90° position until you feel it lock in the open position.
2. Remove the pivot screw located under the door, at the pivot point of the lower hinge. It is not necessary to remove the (2) screws that secure the lower hinge bracket to the case.
3. With the door still in the open position, use a 5/16" wrench to remove the (2) screws that attach the upper hinge bracket to the case.
4. Lift the door up, and out of the pocket in the lower hinge bracket.
5. Reverse this procedure for door reinstallation.

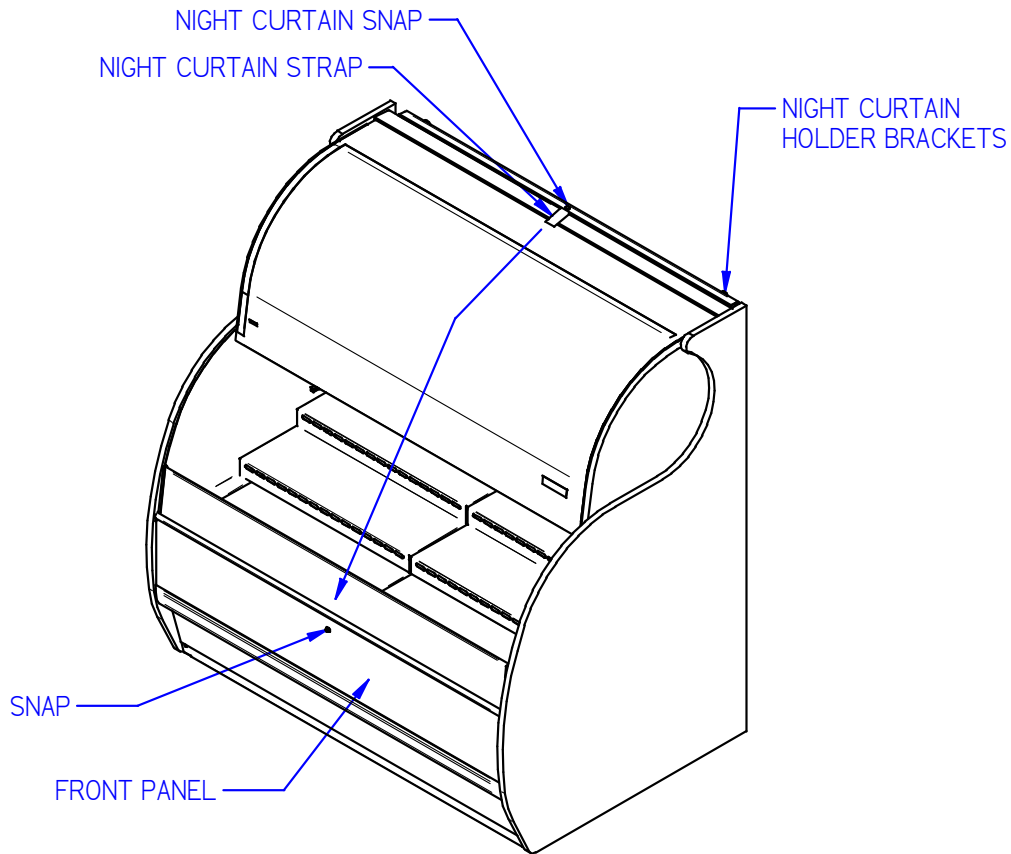
BOTTOM SECTION REAR DOORS REMOVAL (OPTIONAL)



1. Starting with the outer outside door, lift the door upward until the bottom edge of door clears the lower track and then swing the bottom of the door outward and down out of upper track.
2. Remove the outer inside door using the same procedure.
3. The inner door set can then be removed using the same procedure starting with the inner outside door followed by the inner inside door.
4. Reverse this procedure for door reinstallation starting with the inner inside door followed by the inner outside door. Check that the doors slide freely.
5. Replace the outside inner door and the outside outer door. Be sure to slide the inner door catch into the inner door catch slot for each door.

Note: None of the doors are not interchangeable and they must be replaced in the same location that they were removed from.

NIGHT CURTAIN (SSRC OPTION)



Opening:

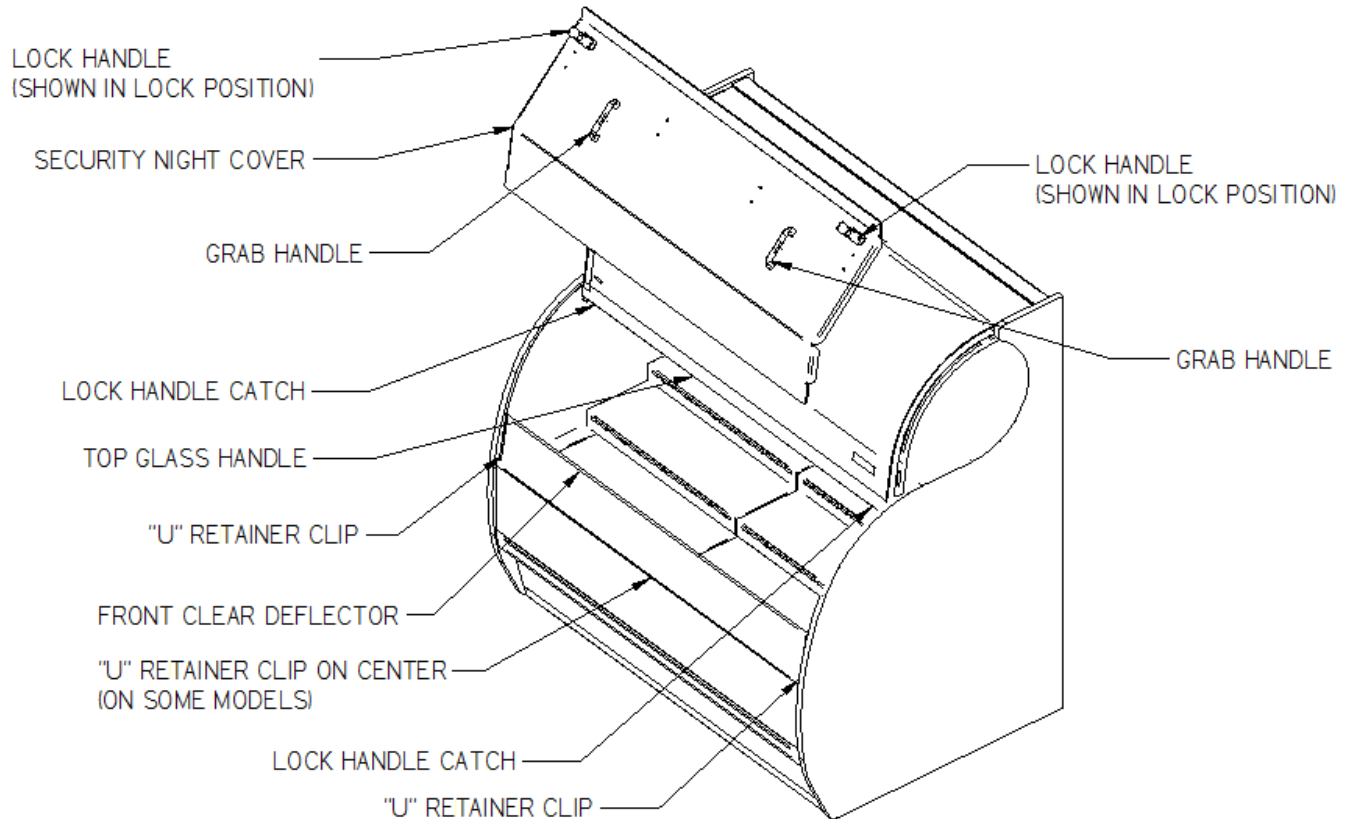
1. Grasp the night curtain strap and lift the rolled night curtain out of the night curtain holder brackets. Pull the night curtain across the top of case and down the front.
2. Attach the snap located under the night curtain strap on to the snap located on the front trim.

Closing:

1. Grasp the night curtain strap and detach the snap from the snap located in the front top trim.
2. While holding the night curtain strap allow the night curtain to roll up and place the rolled night curtain carefully into the night curtain holder brackets.

Note: The 59” and 77” models have (2) night curtains.

SECURITY NIGHT COVER (SSRC OPTION)



Removal:

1. Unlock the lock handles and turn handles to the vertical position to disengage from lock handle catches.
2. Grasp the front grab handles and lift the cover straight up and out of the case opening.

Installation:

1. Turn the lock handle so the latch handle is vertical to the top of the case.
2. Holding the grab handles place the bottom flange of the security night cover inside the "U" retainer clips located on each side of case opening behind the front clear deflector. There also may be a "U" retainer clip in the center of the case that must also engage the security night cover flange.
3. Set the top flange of the security cover down against the top glass handle.
4. Turn the lock handles so they engage the lock handle catches and use the key to lock them in place.

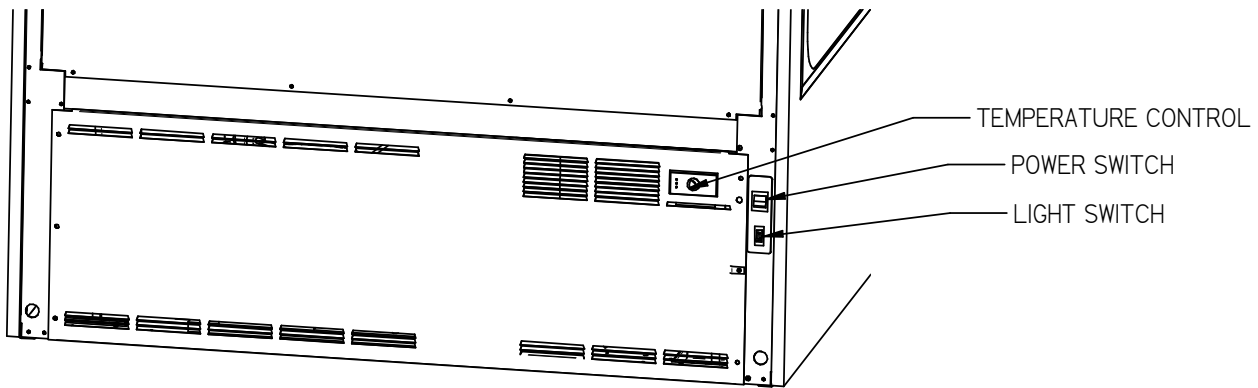
IMPORTANT: Cleaning the Acrylic plastic security night cover require special care to prevent hazing of material. Lightly dust (not wipe) the surface with clean soft cloth. Then the surface can be wiped carefully with a soft, wet cloth or chamois. The cloth or chamois must be kept free of grit by frequently rinsing in clean water. Grease and oil can be removed with kerosene. Do not use window cleaners or kitchen scouring compounds. DO NOT use solvents such as Acetone, Benzene, Carbon Tetrachloride, and Lacquer Thinners. A spray wax such as Pledge or Maguire's polish can be applied and wiped with a clean soft cloth. The wax tends to fill in and hide small scratches.

OPERATING INSTRUCTIONS



NOTICE: This refrigerated display case is designed to operate in a maximum environment of 80 DEG. F and 55% relative humidity. Exceeding these limits will cause poor case performance and sweating of glass panels.

Controls



Power Switch

The unit has a power switch that turns off power to the entire unit, including the condensate evaporator and the lights.

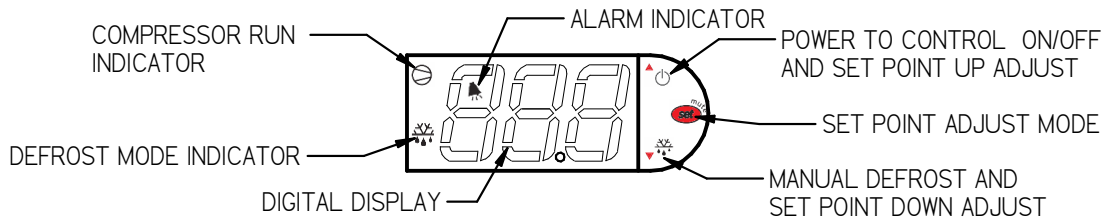
Light Switch

The unit has a light switch that turns on and off the interior lights of unit.

Electronic Temperature Control

Located in the rear grille of the display case, the temperature control allows the user to adjust the temperature of the display merchandiser to their needs.



Button and Display overview


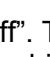


Button Overview

	Press and hold this button for three seconds to turn system on (if off) or off (if on). Also used to adjust set point when in set point adjust mode
	Press to enter set point adjust mode, confirm set point changes, and mute alarms.
	Press and hold this button for three seconds to initiate a manual defrost (and cancel defrost if initiated), also adjusts set point down when in set point adjust mode





Powering on control

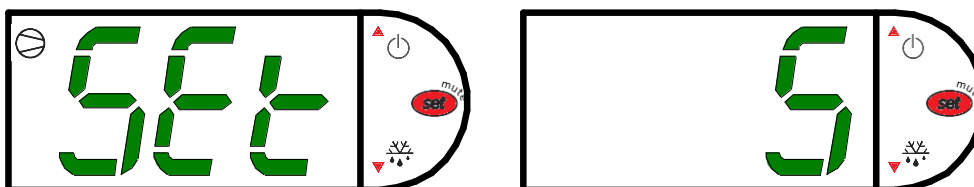
To turn refrigeration control power on, press and hold  for approx. three seconds. The display will read "On" while the button is depressed. When the control powers on, the display will read the current set point (a number "1" thru "9"). The compressor run indicator  will illuminate on the display, meaning that the compressor is running. (Note: the control may already be in the on mode when shipped from factory).

To turn refrigeration control power to off, press and hold  for approx. three seconds. The display will read "Off" while the button is depressed. When the control powers off the display will flash back and forth between the relative current case temperature and "Off". The compressor run indicator  will be off on the display. When refrigeration control is in the off-mode cabinet lights and evaporator fans will still operate, but the compressor will not turn on causing the case to gradually reach room temperature.







Adjusting the set point

The set point is what determines how cold the display case will hold food and beverage. To adjust the set point press and hold the  button approx. three seconds until the display begins to flash a number. Then press the use the  button to scroll number up (colder) or press the  button to scroll number lower (warmer). There are nine (9) available set points numbers, the higher the number of the set point, the colder the display case will run, with setting "9" being the coldest and setting "1" being the warmest. Once you have chosen your desired setting press the  button again to confirm your choice.




Entering Manual Defrost Mode

In order to initiate a manual, defrost press and hold the  button approx. three seconds. The control will read “dEF” while the button is being held. The defrost is initiated when the defrost mode indicator  illuminates on the display. The control display will then return to reading the case temperature. When the defrost mode indicator  turns off the defrost is complete and the compressor will turn back on illuminating the compressor run indicator .



Error codes

It is possible for error codes to be displayed on the control screen. In the event of a malfunction an alarm will sound and the alarm indicator  will be displayed on the display. An error code or codes will flash intermittently on the display. If there are multiple codes, the display will continuously cycle through them. The following photo shows error code “E0” as an example.



Mute: You may mute the alarm by pressing and releasing the wrench button. The red ringing bell and all error codes will still be displayed. When the fault is remedied the control will return to normal operation and will automatically clear the codes from the display.

Carel Control

E0 = Air sensing probe - Open or shorted

E1 = Evap. coil probe - Open or shorted

Error codes may be encountered if either the controller or the display case is malfunctioning. The following is a list of error codes that may be encountered.

Table 1 - Error Codes and Resolutions

Code	Description	Cause	Resolution
E0	Temperature probe error	Probe signal is interrupted or short-circuited	Check to ensure probe wires and quick disconnect are secure in control. Check probe resistance to table below. If 0 resistance is present check wiring insulation. If infinite resistance is present check for breaks in wiring (meter will likely read overload or very high in the mega-ohm range). Ensure that probes are wired per the wiring diagram provided. Replace probe if other remedies fail, or if probe resistance deviates from “\Table 3” below
E1	Defrost probe error	See E0	
EE	Unit parameter reading error	Operating conditions	Remedy abnormal operating conditions. The control is rated to operate in a range of 14 to 122°F (-10 to 50°C) and less than 90%RH non-condensing. Replace control if problem persists.
EF	Operating parameter reading error	See EE	

ELECTRONIC CONTROL OPERATION

This unit is equipped with an electronic temperature control. The control parameters are set at the factory and cannot be manually changed in the field. The pre set control parameters are listed on the chart in the Settings Chart below.

Operation

The control uses two sensors, one located in the air stream and one located on the evaporator coil. The sensor located in the air stream is referred to as the temperature control sensor. The sensor located on the evaporator coil is referred to as the defrost probe.

The temperature control sensor is located on the plastic tub behind the evaporator coil to the left in the cold air stream. The sensor location is critical for proper operation on the unit. Do not move or relocate this sensor.

The coil sensor is strapped to the evaporator coil. This sensor location is critical for proper operation of the unit. Do not move or relocate this sensor.

The temperature control is set to cut in at 39°F (3.9°C). The Temp control cuts out at 26°F (-3.3°C) at the coldest setting “9” and 36°F (2.2°C) at the warmest setting “1”.

See “**Error! Reference source not found.**” on page **Error! Bookmark not defined.** for more details on using the control.

Defrost Cycle

The control is programmed to initiate defrost via two different methods. There are 3 programmed defrost cycles in the case which will initiate a defrost cycle every 8 hours. The unit does not have a time clock so the defrost cycles cannot be set for any specific time of day.

The unit also has an ‘On demand’ defrost feature that will initiate a defrost when the temperature differential between the evaporator temperature and the air temperature is more than 20°F (11.1°C) for 5 minutes after 30 minutes into the refrigeration cycle (e.g. if the air stream probe measures 42°F/5.6°C or greater and the defrost probe measures 20°F/-6.7°C or lower for five minutes). Once initiated the defrost cycle will terminate when evaporator coil sensor reaches 43°F (6.1°C).

If a manual defrost is required, one can be initiated by pressing and holding the down arrow for three (3) seconds. This is typically unnecessary and should only be performed if special circumstances require it.

CONTROL PARAMETERS

Table 2 - Control Parameters

Parameter Description	Control Setpoint →	1	2	3	4	5	6	7	8	9
□	Compressor Cut in [°F]	39.0								
	Compressor Cut out [°F]	36.0	34.7	33.5	32.2	31.0	29.7	28.5	27.2	26.0
	Compressor Min On Time	10 min								
	Compressor Min Off Time	3 min								
	Compressor Max Run Time	90 min								
	Defrost Termination Temp [°F]	43.0								
	Time to first defrost	8 hr								
	Time to subsequent defrost	8 hr								
	Defrost duration	30 min								
	Defrost on demand differential [°F]	20.0								
	Delay for defrost on demand	5 min								
	Time delay to the next defrost on demand	30 min								

Table 3 - Temperature Probe Common Resistance Chart

Probe Temp	Maximum Resistance [Ω]	Normal Resistance [Ω]	Minimum Resistance [Ω]
32°F (0°C)	27.83	27.28	26.74
77°F (25°C)	10.1	10	9.9
212°F (100°C)	1	0.97	0.94

INITIAL STARTUP

After all the checks outlined in the installation section of this manual have been made, the case is ready to be put into service. Turn on the Power at the breaker box and flip the Power Switch and Light Switch on unit to the on position. Also ensure that the control is powered on as described above.

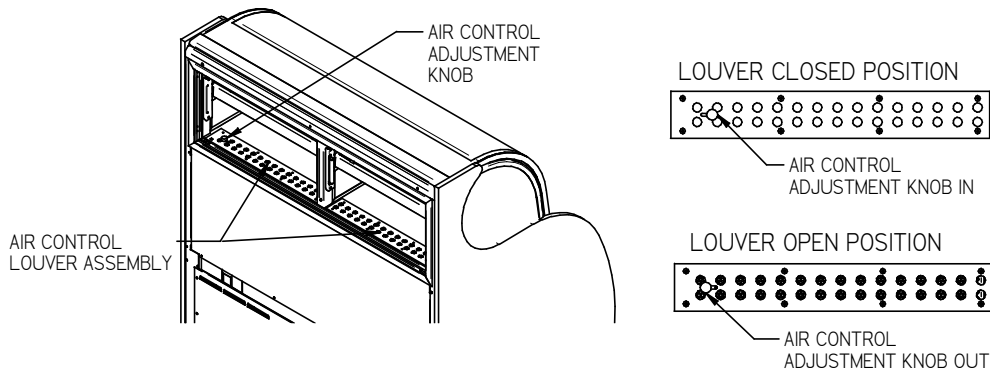
At start up from a warm unit, it is recommended that the temperature control is set to a warmer setting, such as 1. After the unit has gone through several cycles, adjust the control to a mid-range setting, then to a colder setting if necessary to maintain desired product temperature



NOTICE:

This refrigerated display case is designed to operate in a maximum environment of 75°F (23.9°C) and 55% relative humidity. Exceeding these limits will cause poor case performance and excessive sweating.

Top Section Refrigeration Louver Control



The top section of this unit can be changed from a refrigerated section to a non-refrigerated section by opening or closing the louver. Unlock the louver position by loosening the control knob (turn control knob counter clockwise) and lock the louver position by tightening the control knob (turn control knob clockwise). Sliding the air control knob out will open the louver making the top section refrigerated and sliding the air control knob in will close the louver making the top section non-refrigerated (see illustration above). Even with the louver in the closed position the top section will be colder than ambient. If a refrigerated section is required for potentially hazard food the air control louver must be completely open. A half open louver will not allow sufficient air flow to top section. The air control louver assembly can be placed in the case in either direction. The air control knob can either be facing the inside or the outside of the case. The side that the air control knob is facing will not affect case operation.



NOTICE:

If a top refrigerated section is required for potentially hazard food the air control louver must be completely open. A half open louver will not allow sufficient air flow to top section.

Placing Product into Case

- Do not exceed 75 pounds of weight per shelf. Heavy product should be distributed evenly across the entire shelving area.
- Determine desired shelving location and angle before placing product in case. Product must be removed to readjust shelf location and angle.
- Allow a minimum of 2" between top of product and bottom of shelf as shown in diagram below.
- Do not overhang the front or rear of shelves with product. Improper clearance in front and rear of shelf will block the refrigerated airflow and will cause product loss.
- Do not block the slots along the front and rear air discharge areas. Covering these slots will block the refrigerated airflow and could cause product loss.
- The display deck is removable for cleaning and can become dislodged in shipment. To ensure proper airflow and performance of the case, make sure that the display deck is pushed completely down into evaporation tub.
- Allow refrigerated models to run for at least two hours before placing pre-chilled product into unit.



NOTICE: CASE MUST BE STOCKED WITH PRE-CHILLED PRODUCT ONLY.



NOTICE: This refrigerated display case is designed to operate in a maximum environment of 80 DEG. F and 55% relative humidity. Exceeding these limits will cause poor case performance and sweating of glass panels.

MAINTENANCE

Top Light Bulb Replacement, Fluorescent 12/1/19

1. To remove bulb from top light housing, grip the bulb receptacle end caps at each end of bulb. Pull the bulb receptacle end caps straight outward away from unit.
2. The bulb is inside a clear shatterproof tube with a white plastic end cap on each end. Be careful not to allow the bulb to slide out of the shatterproof tube.
3. Reinstall new bulb in to the existing shatter proof tube and reuse white plastic end caps.
4. Reinstall new bulb assembly in the same manner as described in the Bulb Removal Procedure. Be sure bulb is secure in bulb receptacles. **Note: Be sure to use a direct equivalent to the original bulb.**

Shelf Light Bulb Replacement, Fluorescent 12/1/19

1. All shelf light fixtures use a spring-loaded socket at one end. To remove the bulb, push the bulb towards the spring-loaded socket until the opposite ends drops out of the socket.
2. The bulb is inside a clear shatterproof tube with a black plastic cap on each end. Be careful not to allow bulb to slide out of shatterproof tube.
3. Reinstall new bulb in to the existing shatterproof tube and reuse black plastic end caps. Reinstall bulb assembly in the same manner as described in the Bulb Removal Procedure. Be sure bulb is secure in bulb receptacles. **Note: Be sure to use a direct equivalent to the original bulb.**

Top/Ceiling Light Bulb Replacement, LED (Cases Manufactured after 12/01/19)

1. Turn power switch on rear of case to “off.”
2. Disconnect light cord barrel plug from receptacle in LED by pulling barrel plug straight out.
3. The LED is attached to clips mounted to the ceiling or top light housing. Disengage the LED from the clips.
4. Attach the new LED to the clips on the ceiling. Be sure that the LED is centered about the clips.

Shelf Light Bulb Replacement, LED (Cases Manufactured after 12/01/19)

1. Turn power switch on rear of case to “off.”
2. Disconnect light cord barrel plug from receptacle in LED by pulling barrel plug straight out.
3. The LED is adhered to the front shelf support with double-sided tape. It may be necessary to use a razor blade to detach the LED from the top light housing. **NOTE: TAKE CARE NOT TO DAMAGE THE FINISH ON THE FRONT SHELF SUPPORT.**
4. Remove the remaining double-sided tape from the **FRONT SHELF SUPPORT.**
5. Apply a new layer of double sided tape to the new LED and adhere to the front shelf support. Locate new LED by centering between (2) .09 dia holes on the front shelf support.

PERIODIC MAINTENANCE

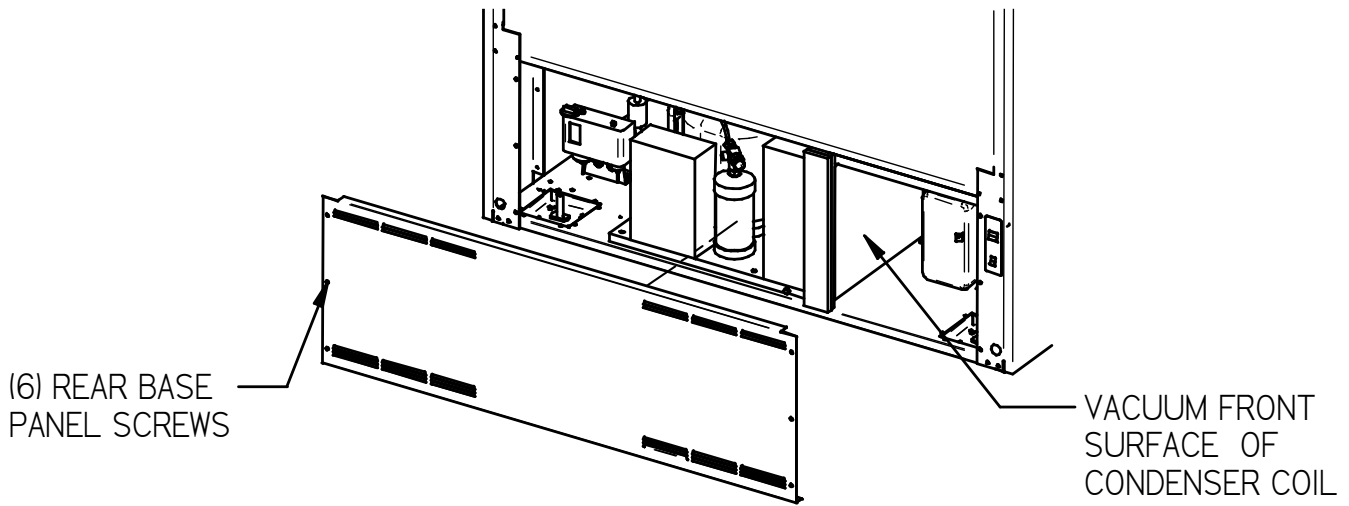
Cleaning Condenser Coil (All Self Contained Refrigerated Models)



NOTICE:

Condenser coil must be cleaned a minimum of twice per month to insure proper refrigeration performance and prevent compressor failure. In some environments, it may be necessary to clean more frequently. FAILURE TO CLEAN CONDENSER COIL WILL VOID COMPRESSOR WARRANTY.

1. Disconnect power to the unit.
2. Remove the back base panel located on the back bottom of unit by removing the (6) front panel retaining screws.
3. Carefully vacuum the front surface of condenser coil. Take care not to bend coil fins with vacuum cleaner nozzle.
4. Reinstall back panel and retaining screws.



CLEANING INSTRUCTIONS

Daily Cleaning

The case should be cleaned thoroughly, as described in the weekly cleaning section, before it is used for the first time.



NOTICE: Avoid splashing or soaking any electrical components with water to prevent electrical damage to the case.



NOTICE: Shut off lights and power switches and remove all product from case. Allow sufficient time for the unit to reach room temperature before proceeding with cleaning.



NOTICE: Remove all product from case before proceeding with cleaning procedure.



NOTICE: Acrylic front air deflector requires special washing procedures to prevent hazing and yellowing of material.



NOTICE: This case is not designed to be cleaned by flushing.

Note: For major spills or foreign material buildup use complete weekly cleaning instructions.

Note: Detergents are not recommended. To prevent scratching of surfaces, do not use abrasive cleaners or pads.

1. Clean all foreign materials from the door opening.
2. Wipe complete interior of both the upper & lower areas of case using a damp cloth.
3. On SSRC cases only, the upper front glass can be tilted open to allow easier access to clean the upper section interior. Tilt the front glass up by standing in front of the case and grabbing the handle at the bottom of the glass and lifting the bottom of the glass upward. The glass can then be cleaned with common window cleaners. Close the glass by pulling the front handle of glass down to the closed position.
4. The remaining exterior surface should be wiped down using any ammoniated cleaners or soapy warm water.
5. **IMPORTANT:** Cleaning the clear acrylic plastic front air deflector require special care to prevent hazing and yellowing of material. Lightly dust (not wipe) surface with clean soft cloth. Then the surface can be wiped carefully with a soft, wet cloth or chamois. The cloth or chamois must be kept free of grit by frequently rinsing in clean water. Grease and oil can be removed with kerosene. Do not use window cleaners or kitchen scouring compounds. **DO NOT** use solvents such as Acetone, Benzene, Carbon Tetrachloride, and Lacquer Thinners. A spray wax such as Pledge or Maguire's polish can be applied and wiped with a clean soft cloth. The wax tends to fill in and hide small scratches.

Weekly Cleaning

This procedure is recommended on a weekly basis. It may need to be performed more often if necessary to maintain a clean, sanitary case. The case should be cleaned to this procedure before using the first time.



NOTICE: Avoid splashing or soaking any electrical components with water to prevent electrical damage to the case.



NOTICE: Shut off lights and power switches and remove all product from case. Allow sufficient time for the unit to reach room temperature before proceeding with cleaning.



NOTICE: Remove all product from case before proceeding with cleaning procedure.

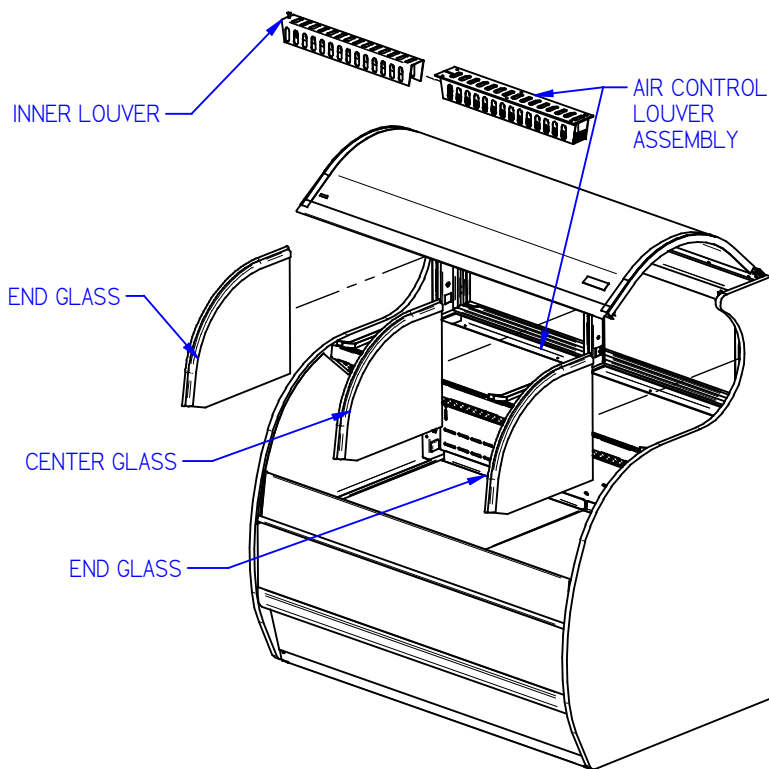


NOTICE: Acrylic front air deflector requires special washing procedures to prevent hazing and yellowing of material. Read weekly cleaning procedure carefully.

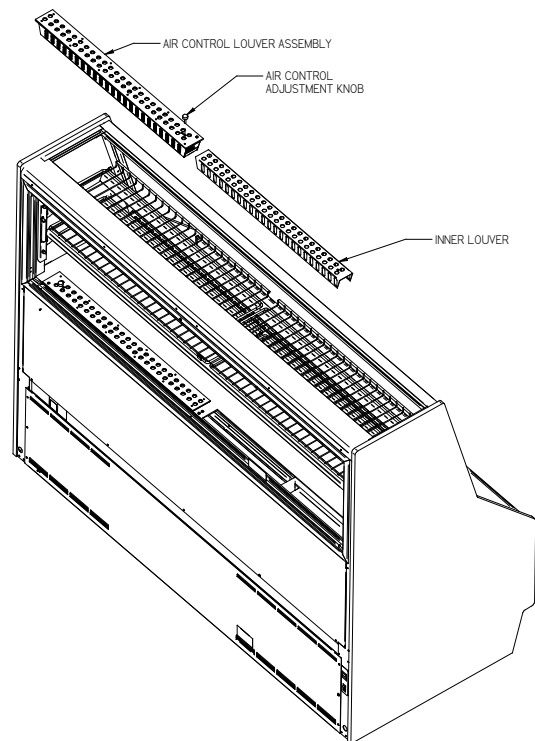


NOTICE: This case is not designed to be cleaned by flushing.

Weekly Top Section Interior Cleaning



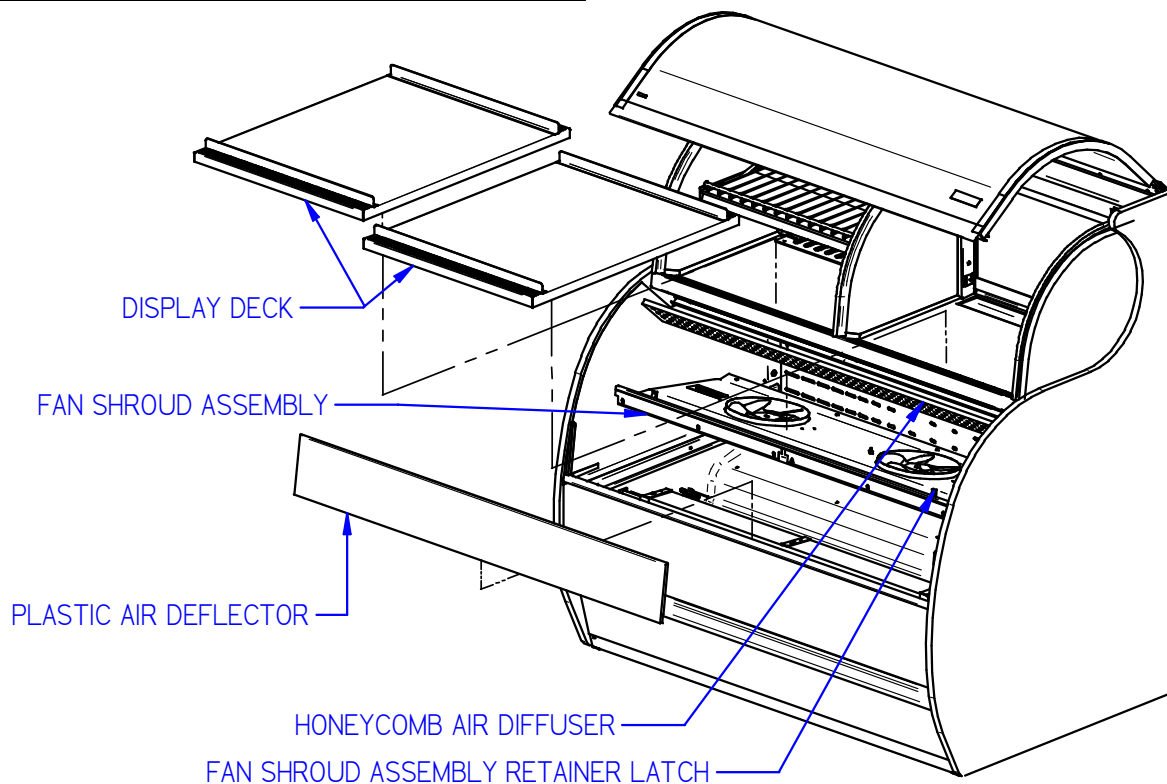
SSRC



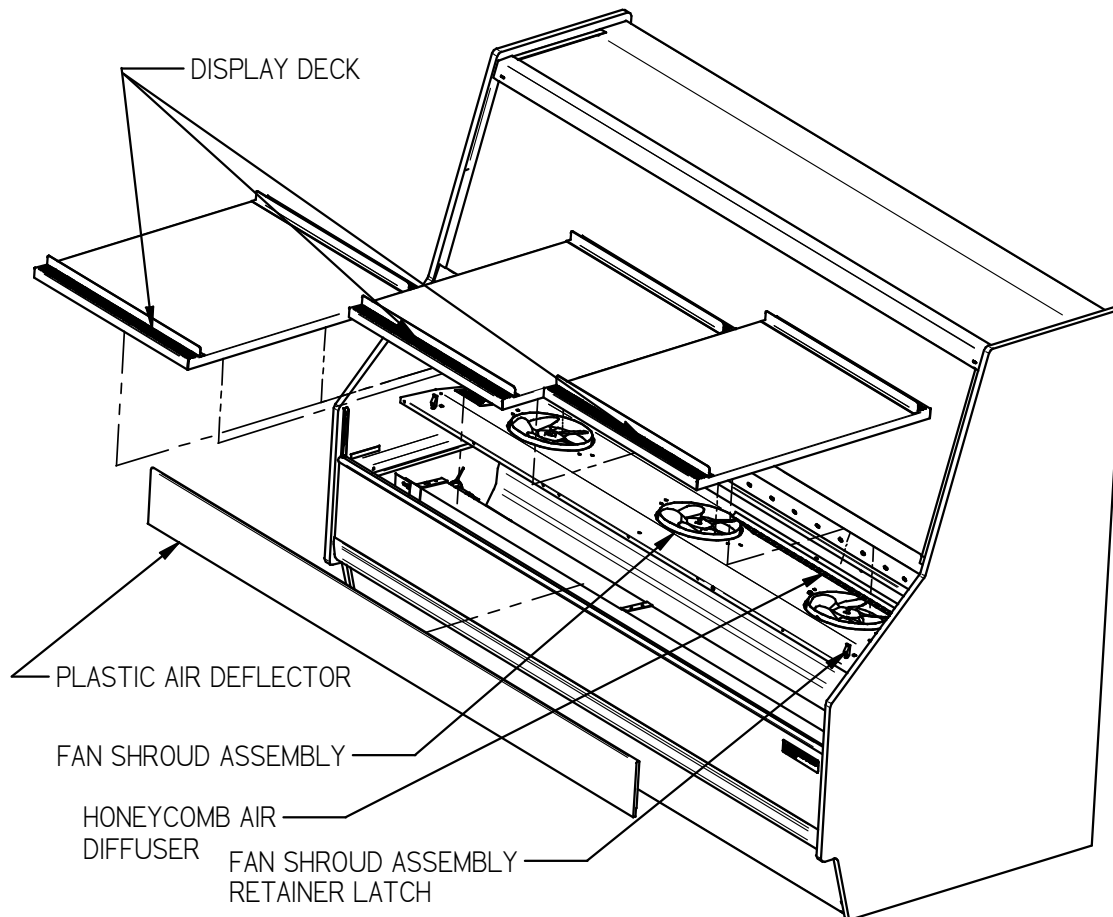
ESSRC

1. Remove both upper rear sliding doors as described in the “Door Removal” section of this manual. A 24” case will not require door removal.
2. Clean all foreign material from inner and outer rear door tracks and clean both sides of the doors using warm soapy water and a brush. Apply a light film of lubricant such as PAM to door tracks or hinges to make the doors operate smoother.
3. On SSRC cases only, the upper front glass can be tilted open to allow easier access to clean upper section interior. Tilt the front glass up by standing in front of the case and grabbing the handle at the bottom of the glass and lifting the bottom of the glass upward. The glass can then be cleaned with common window cleaners.
4. On SSRC cases only, there may be middle glass panels that will require cleaning. With the upper front glass open, remove middle glass panels (where equipped) by pulling it forward out of the glass retainer. The glass can then be cleaned with common window cleaners.
5. Remove interior shelving from unit as described in the “Shelving Installation and Removal” section of this manual. Remove both shelf standards from interior of case by removing the (2) thumbscrew from top and bottom of each standard.
6. Lift and remove the air control louver assembly(s) from the inside rear of case. Unscrew the louver control knob and slide the inner louver out of louver assembly.
7. Clean all shelves, shelf support bars, shelf light housings, shelf brackets, and air control louver parts using warm soapy water and a brush. Rinse thoroughly and allow to dry.
8. Clean the entire interior of the case using warm soapy water. Wipe off all soapy water with a damp cloth and allow to dry. (DO NOT use solvents such as Acetone, Benzene, Carbon Tetrachloride, and Lacquer Thinners)
9. Reassemble all components in reverse order.

Weekly Bottom Section Interior Cleaning



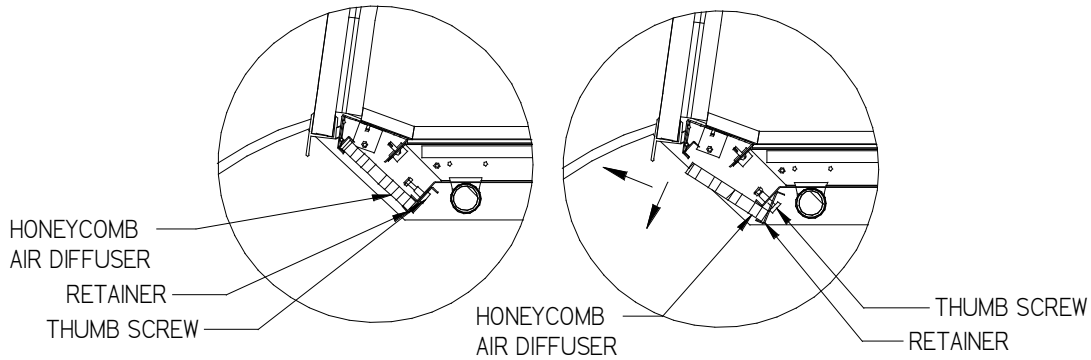
SSRC



ESSRC

1. If supplied with lower rear door option remove both inner & outer rear doors as described in the “Door Removal” section of this manual.
2. Clean all foreign material from inner and outer rear door tracks and clean both sides of the doors using warm soapy water and a brush. Apply a light film of lubricant such as PAM to door tracks to make the doors operate smoother.
3. If supplied; remove interior shelving or display steps from unit as described in the “Shelving Installation and Removal” section of this manual.
4. Clean all shelves, shelf support bars, shelf light housings, shelf brackets, shelf standards and display steps using warm soapy water and a brush. Rinse thoroughly and allow to dry.
5. Lift the display deck(s) up and out of evaporator tub.
6. Remove the fan shroud assembly. There are either (2) retainer latches or (2) thumbscrews located at each end at the front of the fan shroud. Lift the black tab up on each retainer latch or remove the (2) front thumbscrews. Detach the rear of the fan shroud from the case by removing the thumb screws from along the rear lip of the fan shroud. Lift the fan shroud assembly and reach in and unplug the evaporator fan motor cord(s). Lift the fan shroud assembly out of the tub.
7. Clean the display deck(s) using warm soapy water and a brush. Rinse thoroughly and allow to dry. Wipe off fan shroud assembly (do not rinse or submerge fan motors).
8. Clean the entire interior of the case using warm soapy water. Wipe off all soapy water with a damp cloth and allow to dry. (DO NOT use solvents such as Acetone, Benzene, Carbon Tetrachloride, and Lacquer Thinners)

9. Remove the honeycomb air diffuser(s) from upper air duct track. Loosen thumb screws on Retainer located behind diffuser. Retainer will drop down allowing diffuser to be pulled out of case.



10. Clean honeycomb air diffuser with warm soapy water and a brush. Rinse thoroughly and allow to dry.
11. Remove the clear plastic front air deflector by lifting it up and out of case.
IMPORTANT: Cleaning the Acrylic plastic front air deflectors require special care to prevent hazing and yellowing of material. Lightly dust (not wipe) surface with clean soft cloth. Then the surface can be wiped carefully with a soft, wet cloth or chamois. The cloth or chamois must be kept free of grit by frequently rinsing in clean water. Grease and oil can be removed with kerosene. Do not use window cleaners or kitchen scouring compounds. **DO NOT** use solvents such as Acetone, Benzene, Carbon Tetrachloride, and Lacquer Thinners. A spray wax such as Pledge or Maguire's polish can be applied and wiped with a clean soft cloth. The wax tends to fill in and hide small scratches.
12. Reassemble all components in reverse order.

NOTE: Depending on the amount of usage and spillage of foreign material, some fasteners may have to be removed and parts disassembled to allow proper cleaning of the unit.

Weekly Exterior Cleaning

1. Clean the front and end glass using any common window cleaner.
2. The exterior surfaces should be wiped down using any ammoniated cleansers or warm soapy water.

SERVICE INFORMATION

CAUTION
RISK OF ELECTRIC SHOCK

DISCONNECT POWER BEFORE
SERVICING UNIT

Before any service work is performed on the case, make sure all power is disconnected to the case.

To find a service company in your area, please visit our website at www.federalindustries.com. There you can also find self-service tools to help you get the answers you need faster!

For Warranty Service Requests & ALL Technical Support please contact:

- Phone: (800) 356-4206 and choose the Tech Support/Warranty Option
- Email: Service@federalind.com

For Warranty Compressors please contact the Parts Department:

- Phone: (800) 356-4206 and choose the Warranty Parts Option
- Email: Parts@Federalind.com



Federal Industries has partnered with Parts Town for ALL Non-Warranty Part Identification, Pricing, Lead Times, Orders & Freight Quotes. Please contact Parts Town directly if you need parts:

- Website: PartsTown.com
- Email: CustomerService@PartsTown.com
- Phone: 833-809-8188

Special Service Situations

There are rare occasions when the refrigerant charge must be evacuated from a case in order to perform service work. In those situations, Federal Industries recommends that the refrigerant charge be evacuated into a recovery system to prevent the possibility of hydrofluorocarbons (HFC's) from being released into the atmosphere.

If moisture or liquid is observed around or under a Federal Industries case, an immediate investigation should be made by qualified personnel to determine the source of the moisture or liquid. The investigation made should determine if the case is malfunctioning or if there is a simple housekeeping problem.



NOTICE:

Moisture or liquid around or under a case is a potential slip/fall hazard for persons walking by or working in the general area of the case. Any case malfunction or housekeeping problem that creates a slip/fall hazard around or under a case should be corrected immediately.

Pre-Service Checklist

You may avoid the cost and inconvenience of an unnecessary service call by first reviewing this checklist of frequently encountered situations that can cause unsatisfactory case performance.



CAUTION: Before servicing case turn off power at the main breaker of fuse box.

Case Does Not Operate

- Check for disconnected power supply.
- Check for tripped breaker or blown fuse.
- Check that power switch is on.

Lights Do Not Operate

- Check that light switch is on.
- Be sure light is properly seated in the sockets.
- Be sure cords are properly seated in receptacles on LEDs.

If supplied with shelf light option

- Check that shelf light cord(s) are tight in the sockets.
- Plug unused light sockets with socket cap provided with socket.

Case Temperature Too Warm

- Check that the cold air inlet and outlet slots are not blocked.
- Be sure that the rear doors are closed and tightly sealed.
- Check for blocked or dirty condenser coil fins.
- Check cold airflow. Lack of adequate cold airflow could be a defective evaporator fan or blocked evaporator coil. Check that paper or foreign material is not blocking evaporator. If the evaporator coil is blocked due to excessive frost, turn the power switch “off” position for approximately one hour to defrost.
- Is the case installed properly to allow adequate air flow to and from condenser?
- Check that there is no air movement around case causing disruption to air curtain. Such as ceiling fans, heating/AC air ducts, exterior doors, etc.

SALE & DISPOSAL

Owner Responsibility

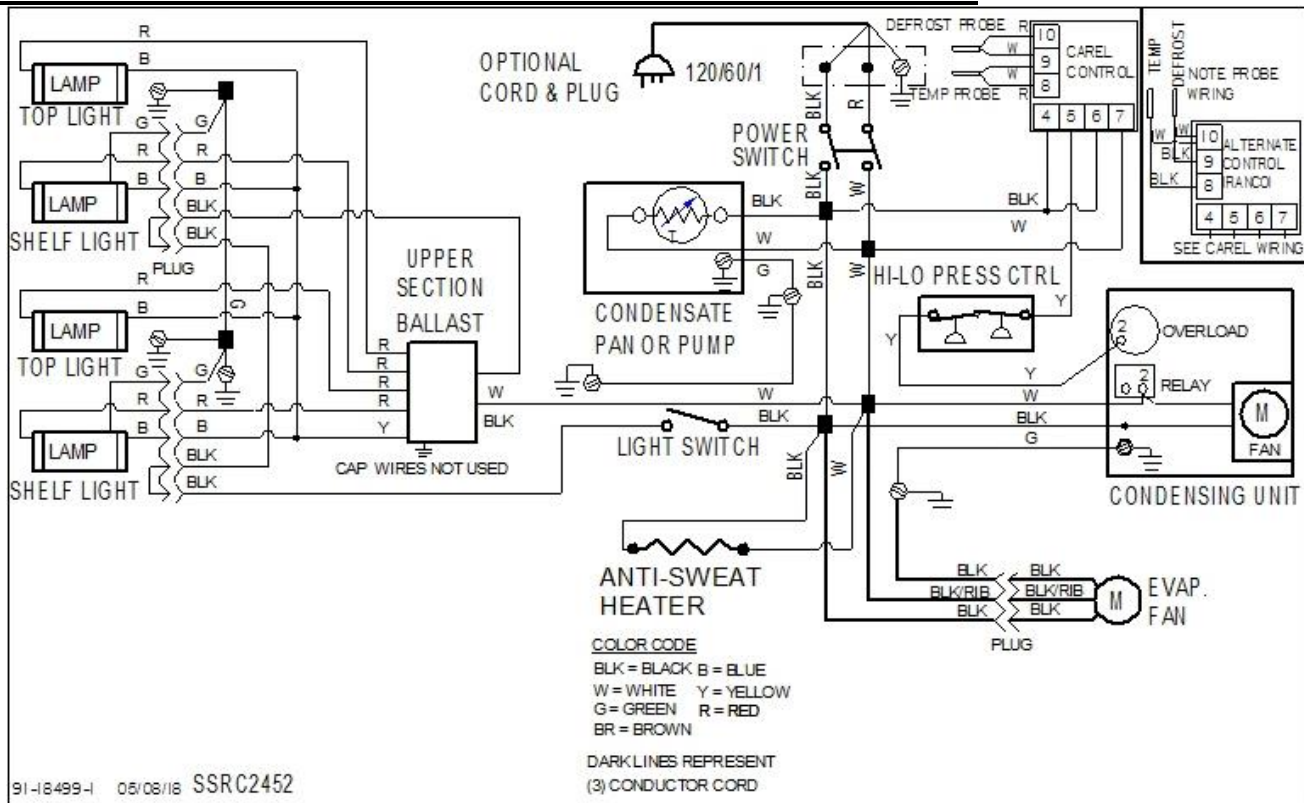
If you sell or give away your Federal Industries case, you must make sure that all safety labels and the Installation-Service Manual are included with it. If you need replacement labels or manuals, Federal Industries will provide them free of charge. Contact the customer service department at Federal Industries at (800) 356-4206.

The customer service department at Federal Industries should be contacted at the time of sale or disposal of your case so records may be kept of its new location.

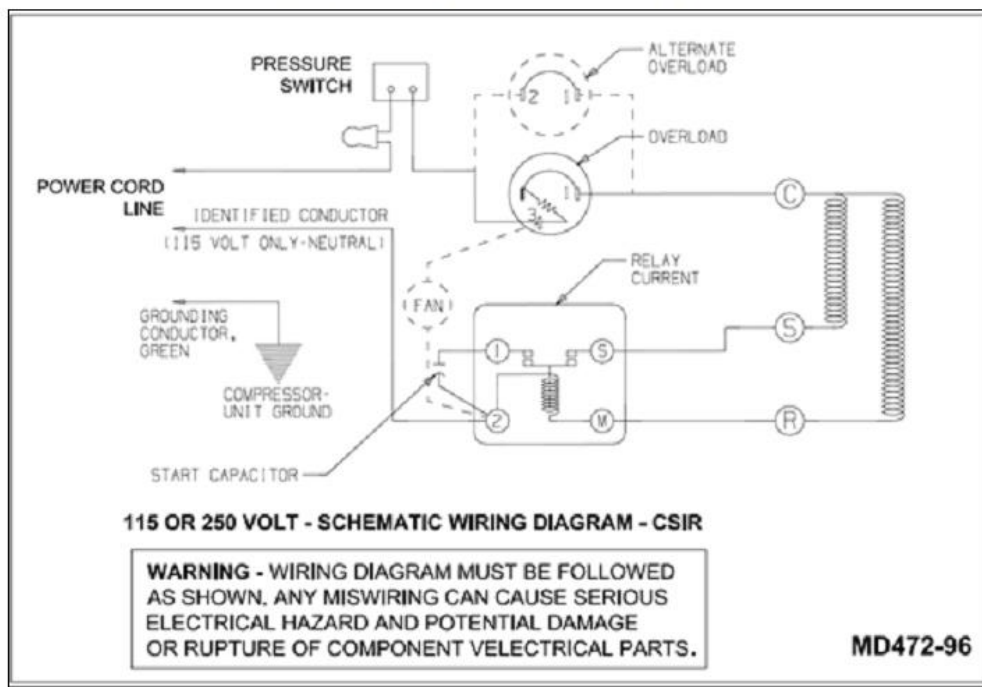
If you sell or give away your Federal Industries case and you evacuate the refrigerant charge before shipment, Federal Industries recommends that the charge be evacuated into a recovery system to prevent the possibility of HFC's from being released into the atmosphere.

MAIN WIRING DIAGRAMS

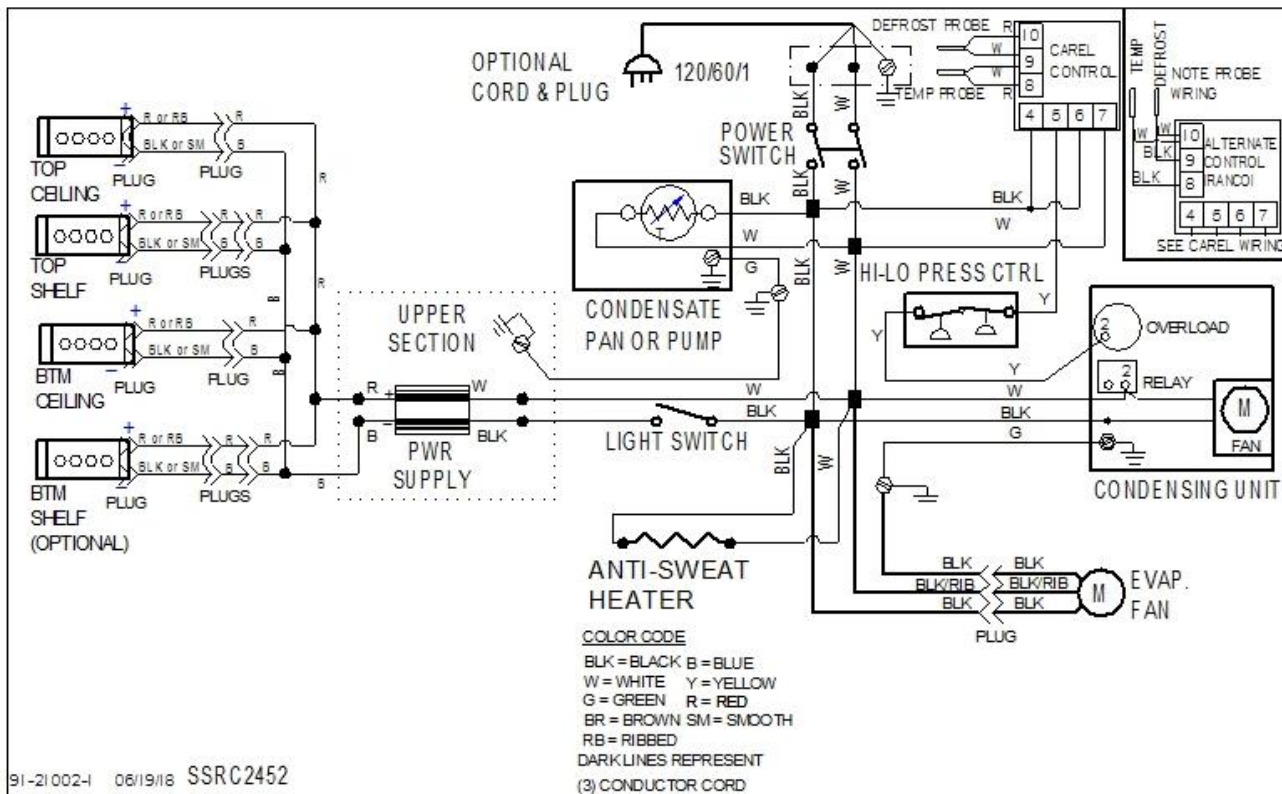
SELF CONTAINED SSRC2452 W/ FLUORESCENT LIGHTS



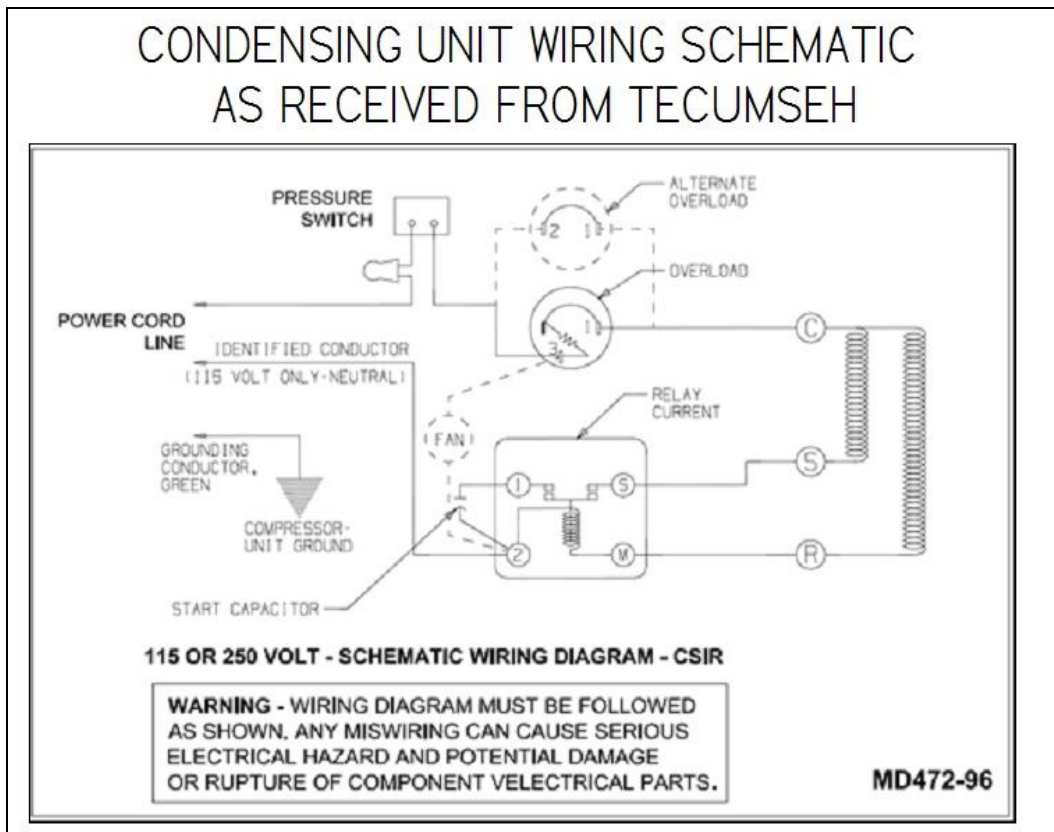
CONDENSING UNIT WIRING SCHEMATIC AS RECEIVED FROM TECUMSEH



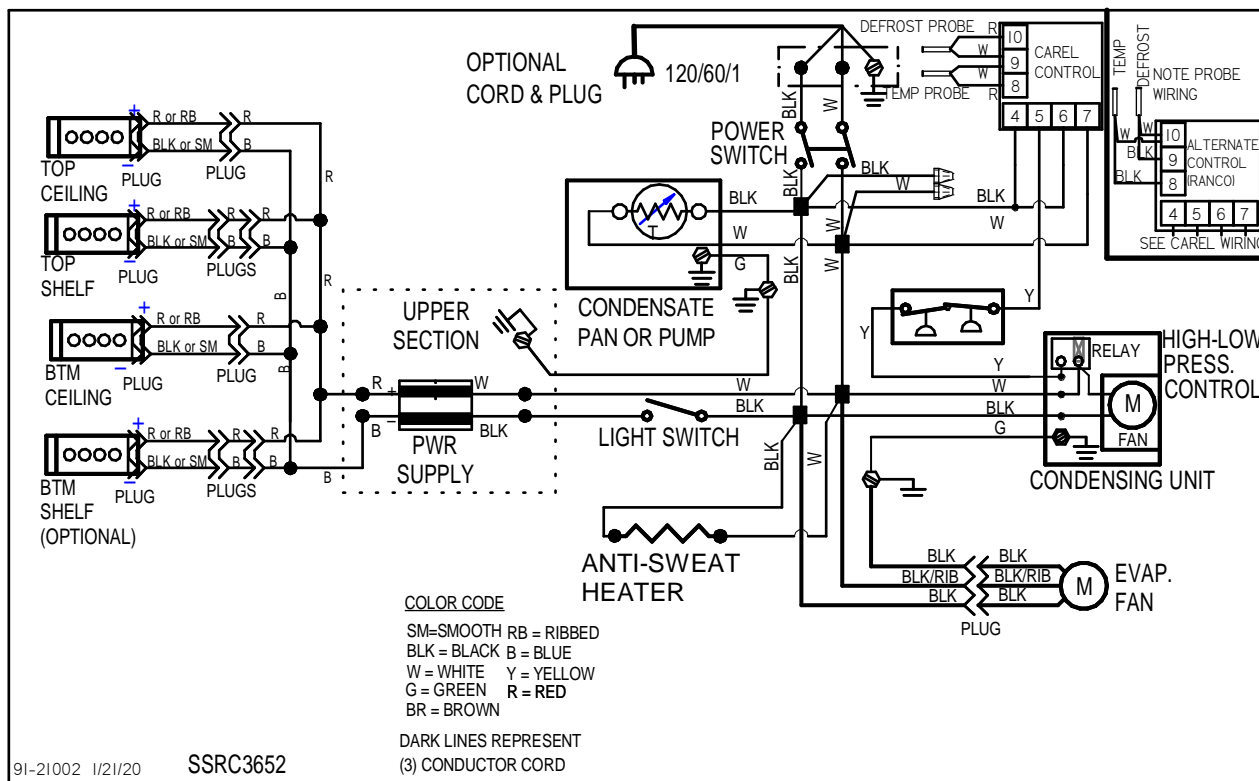
SELF CONTAINED SSRC2452 W/ LED LIGHTS (MFG'D AFTER 12/1/19)



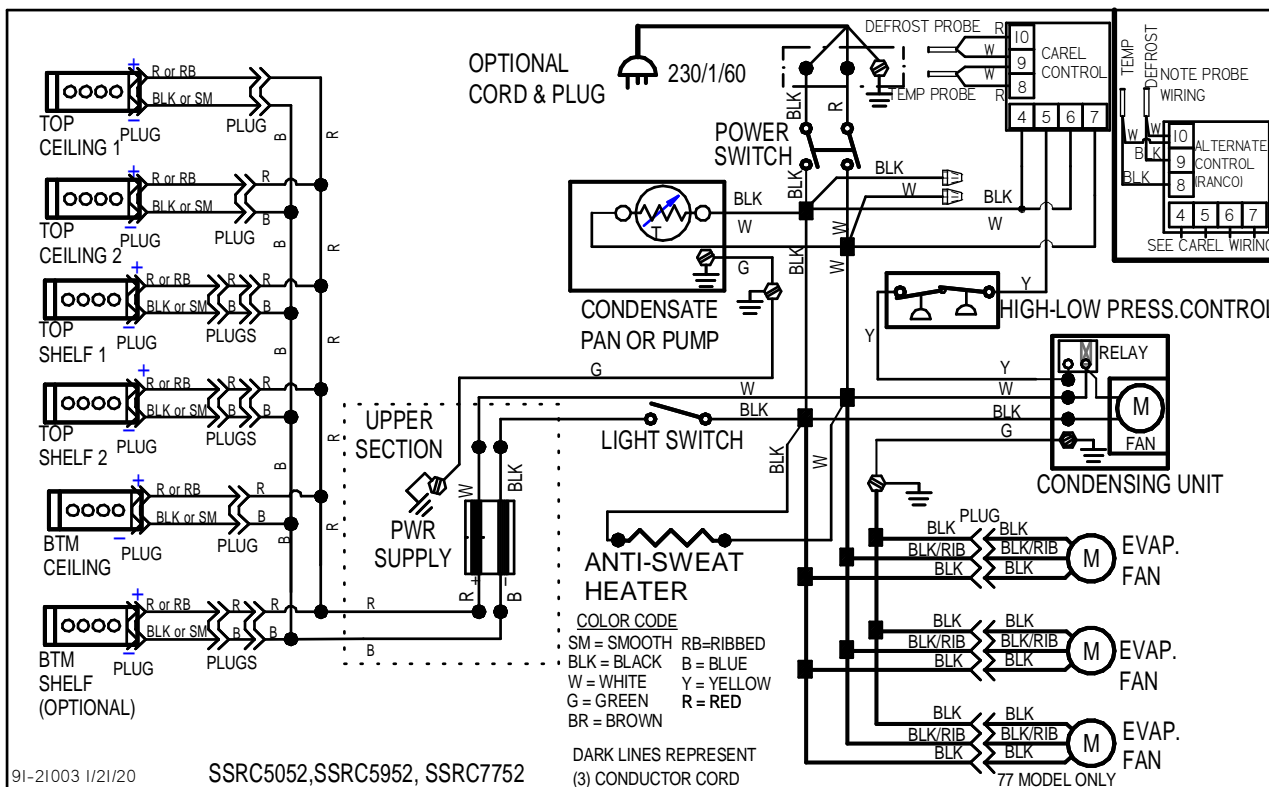
CONDENSING UNIT WIRING SCHEMATIC AS RECEIVED FROM TECUMSEH



SELF CONTAINED SSRC3652 & ESSRC3652 W/ LED LIGHTS (MFG'D AFTER 12/1/19)



SELF CONTAINED SSRC5052, SSRC5952, SSRC7752, ESSRC5052, ESSRC5952 & ESSRC 7752 W/ LED LIGHTS (MFG'D AFTER 12/1/19)



REPLACEMENT PARTS – SSRC

E3091-3.EXCEL

REFRIGERATION	SSRC2452 120V	SSRC3652 120V	SSRC5052 240V	SSRC5952 240V	SSRC7752 240V
Compressor (SC)	30-20696	30-18049	30-18052	30-18645	30-18645
Condensing Unit (SC)	30-20584	30-17726	30-20512	30-18215	30-18215
Evaporator Coil	33-20580	33-13356	33-13357	33-13358	33-13359
TXV	32-19420		32-19419		32-19416
Filter Drier	32-12626				
Sight Glass	32-54010				
Evaporator Fan Motor (SC)	41-17981		41-17811		
Evaporator Fan Motor (remote)	41-17981		41-16025		
Evaporator Fan Blade	72-18534		72-17355	72-32506	72-17355
Latch Evap. Housing to Coil (Pre 2017)	66-13640				
Thumb Screw Evaporator Housing to Coil	75-20554				
Thumb Screw Evaporator Housing to Tub	75-12275				
Condensate Base Fan Motor (remote)	41-11628				
Condensate Base Fan Blade (remote)	72-32507				
Pressure Control (SC)	32-51009				
Temperature Control (SC)	32-19864-6		32-19865-6		
Temperature Control (Remote)	32-19864-6				
Temperature Probes	32-19866				
Solenoid Remote Refrigeration (Remote)	32-30141				
Condensate Pan Ass'y (After 9/12)	SA5302-6	SA5302-1	SA5302-2		
Condensate Pan Heater (After 9/12)	40-19331	40-19331	40-19392		
Condensate Pan Ass'y (Before 9/12)	-	SA4471-1	SA4471-3		
Condensate Pan Heater (Before 9/12)	-	40-17838-1	40-17838-3		
Condensate Pan Float Ass'y (Before 9/12)	SA2928-1				
Condensate Pan Switch (Before 9/12)	41-13022				
Condensate Drain Tube	SA5750	SA4490-1	SA4490-2	SA4490-2 & SA4683	
Thermometer	32-13662				
ELECTRICAL	SSRC2452 120V	SSRC3652 120V	SSRC5052 240V	SSRC5952 240V	SSRC7752 240V
Light Switch	41-11066				
Power Switch	41-18186				
Fluorescent Light Ballast (Top Sect.)(SC)	39-18568	39-12904	39-18295		
Fluorescent Light Ballast (Top Sec.) (Remote)	39-18568	39-12904	39-18568		
Fluorescent Light Ballast (Btm Sect.) (SC)	39-12902				
Fluorescent Light Ballast (Btm Sect.) (remote)	39-12902				
Fluorescent Light Bulb (Top Sect.)	42-30201	42-11519	42-30201	42-30201	42-11519
Fluorescent Light Bulb (Btm Sect.)	42-30201	42-11519	42-11069	42-11070	42-11071
Fluorescent Light Bulb Shatter Tube(Top Sect.)	42-18998	42-15638	42-18998	42-18998	42-15638
Fluorescent Light Bulb Shatter Tube(Btm Sect.)	42-18998	42-15638	42-15503	42-15640	42-11071
Top Light Tombstone - Fluorescent	42-15441	42-15440			
Top Light Bulb Cap - Fluorescent	42-10833				
Shelf Light Bulb Receptacle - Fluorescent	42-10834				
Shelf Light Bulb Recept.Spring - Fluorescent	42-10833				
Light Bulb Shatter Tube Cap - Fluorescent	78-12462				
LED Power Supply	39-20986				
LED Top Light	42-20871-18C35	42-20871-25C35	42-20871-20C35	42-20871-24C35	42-20871-30C35
LED Bottom Ceiling Light	42-20871-18C35	42-20871-25C35	42-20871-42C35	42-20871-54C35	42-20871-72C35
LED Top Shelf Light	42-20871-18C35	42-20871-25C35	42-20871-20C35	42-20871-24C35	42-20871-30C35
LED Bottom Shelf Light (Optional)	42-20871-18C35	42-20871-25C35	42-20871-42C35	42-20871-54C35	42-20871-72C35
LED Top Light Wiring Harness	43-20860-1B				
LED Btm Ceiling Light Wiring Harness	43-20860-1B				
Shelf Light Receptacle.- 5 Pin (before 12/18)	43-18431				
Shelf Light Receptacle – 3 Pin (after 12/18)	43-20996-B				
Shelf light Cord (Top Section) (before 12/18)	43-16861-3				
Shelf light Cord (Btm Section) (before 12/18)	43-16861-1				
Shelf Light Cord (Top&Btm Sect) (after 12/18)	43-20862-3B				
Main Wire Harness (before 12/15/18)	43-18527		43-18528		
Main Wire Harness (after 12/15/18)	43-20993		43-20994		
Anti Sweat Heater (SC)	43-18491-9	43-18491-1	43-18491-2	43-18491-3	43-18491-4
Anti Sweat Heater (remote)	43-18491-9	43-18491-1	43-18491-5	43-18491-6	43-18491-7
Power Cord (Optional)	43-30818	43-30818	43-17839	43-19090	

PANELS & GLASS (AFTER FEB 2012)	SSRC2452	SSRC3652	SSRC5052	SSRC5952	SSRC7752
Front Glass	50-18195-5	50-18195-1	50-18195-2	50-18195-3	50-18195-4
Front Glass Clamp	81-18196-5	81-18196-1	81-18196-2	81-18196-3	81-18196-4
Gas Cylinder	81-19639	81-11522	81-11046	81-11047	81-11047
Glass End Clear	50-19349				
Glass End Reflective Left(Optional)	50-19349-L				
Glass End Reflective Right(Optional)	50-19349-R				
End Panel Ass'y Left (Black)	68-19348-L				
End Panel Ass'y Right (Black)	68-19348-R				
End Panel Ass'y Left (Color needed)	68-19348-1L				
End Panel Ass'y Right (Color needed)	68-19348-1R				
End Panel Ass'y Left (Stainless)	SA5167-L				
End Panel Ass'y Right (Stainless)	SA5167-R				
PANELS & GLASS (BEFOR FEB 2012)	SSRC2452	SSRC3652	SSRC5052	SSRC5952	SSRC7752
Front Glass		50-18195-1	50-18195-2	50-18195-3	50-18195-4
Front Glass Clamp		81-18196-1	81-18196-2	81-18196-3	81-18196-4
Gas Cylinder		81-11522	81-11046	81-11047	81-11047
Glass End Clear		50-18150			
Glass End Reflective Left(Optional)		50-18150-L			
Glass End Reflective Right(Optional)		50-18150-R			
End Panel Ass'y Left (Black)		99-18147-L			
End Panel Ass'y Right (Black)		99-18147-R			
End Panel Ass'y Left (Color needed)		99-18147-1L			
End Panel Ass'y Right (Color needed)		99-18147-1R			
End Panel Ass'y Left (Stainless)		SA4655-L			
End Panel Ass'y Right (Stainless)		SA4655-R			
SHELVING	SSRC2452	SSRC3652	SSRC5052	SSRC5952	SSRC7752
Shelf Top Wire Black (Top Section)	63-18213-2	63-18213--1	63-18213-2	63-18213-3	63-18213-3
Shelf Wire Black (Optional)(Btm Section)	63-18213-12	63-18213-4	63-18213-5	63-18213-6	63-18213-7
Glass Shelf (Top Section) (Optional)	52-18593-2	52-18593-1	52-18593-2	52-18593-3	52-12604
Glass Shelf (Btm Section) (Optional)	52-18593-9	52-18593-4	52-11214	52-11217	52-12034
Glass Shelf Retainer(Optional)	SA4091				
Shelf Bracket (Top Section)	M20671-L/R	67-16038-3A			
Shelf Bracket (Btm Section)	M20690-L/R	67-16038-1A			
Shelf Standard	M16522	M16522			
Step Riser (Btm Section)	SA4486-13	SA4486-1	SA4486-2	SA4486-3	SA4486-4
DOORS	SSRC2452	SSRC3652	SSRC5052	SSRC5952	SSRC7752
Rear Door Inner Clear Top Section		53-18209-1	53-18209-2	53-18209-3	53-18209-4
Rear Door Outer Clear Top Section		53-18210-1	53-18210-2	53-18210-3	53-18210-4
Rear Door Inner Refl. Top Section		53-18209-5	53-18209-6	53-18209-7	53-18209-8
Rear Door Outer Refl. Top Section		53-18210-5	53-18210-6	53-18210-7	53-18210-8
Rear Door Top Track(Top & Btm)		57-18518-1	57-18518-2	57-18518-3	57-18518-4
Rear Door Bottom Track (Top & Btm)		57-18519-1	57-18519-2	57-18519-3	57-18519-4
Rear Door Jamb(Top Section)		57-18199-1			
Rear Door Jamb(Btm Section)(Optional)		57-18199-2			
Rear Door Inner Solid(Btm Section)(Opt)		53-18211-1	53-18211-2	53-18211-3	53-18211-4
Rear Door Outer Solid(Btm Section)(Opt)		53-18212-1	53-18212-2	53-18212-3	53-18212-4
CatchDoor Inner Inside(Btm Section)(Opt)		M15356-2			
Catch Outer Inside(Btm Section)(Opt)		M15356-1			
Rear Door Inner Inside(Btm Section)(Opt)		SA4465-1	SA4465-2	SA4465-3	SA4465-4
Rear Door Outer Inside(Btm Section)(Opt)		SA4464-1	SA4464-2	SA4464-3	SA4464-4
Rear Swinging Door (Clear)	53-20675				
Rear Swinging Door Hinges	66-20676				
MISCELLANEOUS	SSRC2452	SSRC3652	SSRC5052	SSRC5952	SSRC7752
Duct Louver Ass'y (Top Section)		SA4467-1	SA4467-2	SA4467-3	SA4467-4
Deflector Front Clear (Btm Section)	15-18198-5	15-18198-1	15-18198-2	15-18198-3	15-18198-4
Security Night Cover Panel (Optional)	M17218-5	M17218-1	M17218-2	M17218-3	M17218-4
Security Night Cover Latch (Optional)	66-11727				
Night Curtain	65-20638	65-19300	65-19464	65-19458	65-19463

REPLACEMENT PARTS – ESSRC

E3091-3.EXCEL

REFRIGERATION	ESSRC5052 240V	ESSRC5952 240V	ESSRC7752 240V
Compressor (SC)	30-18052	30-18645	30-18645
Condensing Unit (SC)	30-20512	30-18215	30-18215
Evaporator Coil	33-13357	33-13358	33-13359
TXV	32-18244		32-18245
Filter Drier	32-12626		
Site Glass	32-54010		
Evaporator Fan Motor (SC)	41-17811		
Evaporator Fan Blade	72-17355	72-32506	72-17355
Latch Evaporator Housing to Coil	66-13640		
Pressure Control (SC)	32-51009		
Defrost Timer	41-32317		
Minimum Run Timer	41-18658		
Condensate Pan Ass'y (After 9/12)		SA5302-2	
Condensate Pan Heater (After 9/12)		40-19392	
Condensate Pan Ass'y (Before 9/12)		SA4471-3	
Condensate Pan Heater (Before 9/12)		40-17838-3	
Condensate Pan Float Ass'y (Before 9/12)		SA2928-1	
Condensate Pan Switch (Before 9/12)		41-13022	
Condensate Drain Tube	SA4490-2	SA4490-2 & SA4683	
Thermometer	32-13662		
ELECTRICAL	ESSRC5058 240V	ESSRC5958 240V	ESSRC7758 240V
Light Switch	41-11066		
Power Switch	41-18186		
Fluorescent Light Ballast (Top Sect.) (SC) before 12/18	39-12903		39-12904
Fluorescent Light Ballast (Btm Sect.) (SC) before 12/18	39-12902		39-12903
Fluorescent Light Bulb (Top Section) before 12/18	42-11069	42-11070	42-11071
Fluorescent Light Bulb (Btm Section) before 12/18	42-11069	42-11070	42-11071
Fluorescent Light Bulb (Shelf Light) before 12/18	42-11069	42-11070	42-11071
Fluorescent Bulb Shatter Tube(All Shelf Lights)before 12/18	42-30200	42-15641	42-15637
Fluorescent Light Bulb Shatter Tube (Top Lights)before 12/18	42-15503	42-15640	42-15642
Top Light Tomb Stone – Fluorescent before 12/18	42-15440		
Top Light Cap – Fluorescent before 12/18	42-15441		
Shelf Light Bulb Receptacle – Fluorescent before 12/18	42-10834		
Shelf Light Bulb Recept. Spring – Fluorescent before 12/18	42-10833		
Shelf Light Bulb Shatter Tube Cap– Fluorescent before 12/18	78-12462		
LED Power Supply after 12/18	39-20986		
LED Top Light after 12/15/18	42-20871-42C35	42-20871-54C35	42-20871-72C35
LED Bottom Ceiling Light after 12/15/18	42-20871-42C35	42-20871-54C35	42-20871-72C35
LED Top Shelf Light 12/15/18	42-20871-42C35	42-20871-54C35	42-20871-72C35
LED Bottom Shelf Light (Optional) after 12/18		42-20871-54C35	
LED Top Light Wiring Harness after 12/18	43-20860-1B		
LED Bottom Ceiling Light Wiring Harness after 12/18	43-20860-1B		
Shelf Light Receptacle – 5 Pin (Cases mfg'd before 12/18)	43-18431		
Shelf Light Receptacle – 3 Pin (Cases mfg'd after 12/18)	43-20996-B		
Shelf Light Cord (Top Section) (Cases mfg'd before 12/18)	43-16861-1		
Shelf Light Cord (Btm Section) (Cases mfg'd before 12/18)	43-16861-1		
Shelf Light Cord (Top & Btm Sec) (Cases mfg'd after 12/18)	43-20862-3B		
Main Wire Harness (Cases mfg'd before 12/18)	43-18528		
Main Wire Harness (Cases mfg'd after 12/18)	43-20994		
Anti Sweat Heater (SC)	43-18491-2	43-18491-3	43-18491-4
Power Cord (Optional)	43-17839		
Wiring Diagram (SC) (Cases mfg'd before 12/18)	E3285		E3286
Wiring Diagram (SC) (Cases mfg'd after 12/18)	91-21003		

PANELS & GLASS	ESSRC5058	ESSRC5958	ESSRC7758
Front Glass	51-19107-5	51-19107-6	51-19107-7
Top Glass	51-19106-5	51-19106-6	51-19106-7
End Panel Ass'y Left (Black)	68-19146-L		
End Panel Ass'y Right (Black)	68-19146-R		
SHELVING	ESSRC5058	ESSRC5958	ESSRC7758
Shelf Top Wire Black (Top Section)	63-18213-11	63-18213-10	63-18213-9
Shelf Wire Black (Optional)(Btm Section)	63-18213-5	63-18213-6	63-18213-7
Glass Shelf (Top Section) (Optional)	52-19149-2	52-19149-3	52-19149-4
Glass Shelf (Btm Section) (Optional)	52-11214	52-11217	52-12034
Glass Shelf Retainer(Optional)	SA4091		
Shelf Bracket (Top Section)	67-16038-3A		
Shelf Bracket (Btm Section)	67-16038-1A		
Shelf Standard (Top Section)	M16522-2L / M16522-2R		
Shelf Standard (Btm Section)	M16522-2L / M16522-2R		
Step Riser (Btm Section)	SA4486-2	SA4486-3	SA4486-4
DOORS	ESSRC5058	ESSRC5958	ESSRC7758
Rear Door Inner Clear Top Section	53-18209-2	53-18209-3	53-18209-4
Rear Door Outer Clear Top Section	53-18210-2	53-18210-3	53-18210-4
Rear Door Inner Refl. Top Section	53-18209-6	53-18209-7	53-18209-8
Rear Door Outer Refl. Top Section	53-18210-6	53-18210-7	53-18210-8
Rear Door Frame - Top	SA4463-2	SA4463-3	SA4463-4
Rear Door Jamb(Btm Section)(Optional)	X	57-19121-10	X
Rear Door Inner Solid(Btm Section)(Opt)	X	53-19147-3	X
Rear Door Outer Solid(Btm Section)(Opt)	X	53-19148-3	X
CatchDoor Inner Inside(Btm Section)(Opt)	M15356-2		
Catch Outer Inside(Btm Section)(Opt)	M15356-1		
Rear Door Inner Inside(Btm Section)(Opt)	SA4465-2	SA4465-3	SA4465-4
Rear Door Outer Inside(Btm Section)(Opt)	SA4464-2	SA4464-3	SA4464-4
MISCELLANEOUS	ESSRC5058	ESSRC5958	ESSRC7758
Duct Louver Ass'y (Top Section)	SA4467-2	SA4467-3	SA4467-4
Deflector Front Clear (Btm Section)	15-18198-2	15-18198-3	15-18198-4
Security Night Cover Panel (Optional)	M17218-2	M17218-3	M17218-4
Security Night Cover Latch (Optional)	66-11727		
Night Curtain (Optional)	65-19464	65-19458	65-19463

California Residents Only.

⚠ WARNING

This product can expose you to chemicals including chromium which is known to the State of California to cause cancer and birth defects or other reproductive harm. For more information go to www.P65Warnings.ca.gov

