

hatcocorp.com

Register Online!
(see page 2)

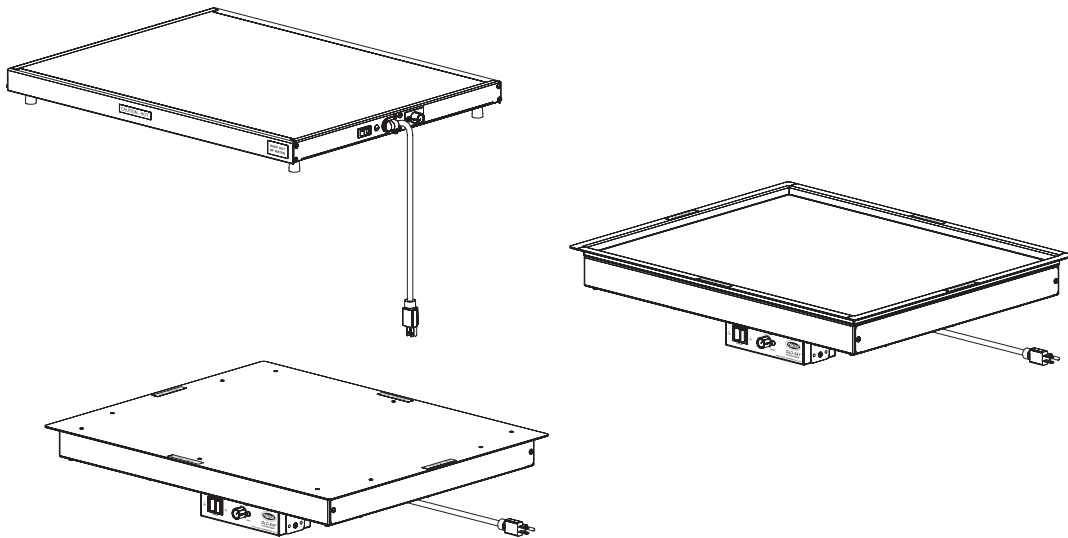
S'inscrire en ligne!
(voir page 23)



Glo-Ray® Heated Shelf Rayonnage Chauffant

GRS, GR SB, and GR SBF Series/Série

Installation and Operating Manual Manuel d'installation et d'utilisation



⚠ WARNING

Do not operate this equipment unless you have read and understood the contents of this manual! Failure to follow the instructions contained in this manual may result in serious injury or death. This manual contains important safety information concerning the maintenance, use, and operation of this product. If you're unable to understand the contents of this manual, please bring it to the attention of your supervisor. Keep this manual in a safe location for future reference.

English = p 2

⚠ ADVERTENCIA

No opere este equipo al menos que haya leído y comprendido el contenido de este manual! Cualquier falla en el seguimiento de las instrucciones contenidas en este manual puede resultar en un serio lesión o muerte. Este manual contiene importante información sobre seguridad concerniente al mantenimiento, uso y operación de este producto. Si usted no puede entender el contenido de este manual por favor pregunte a su supervisor. Almacenar este manual en una localización segura para la referencia futura.

⚠ AVERTISSEMENT

Ne pas utiliser cet équipement sans avoir lu et compris le contenu de ce manuel ! Le non-respect des instructions contenues dans ce manuel peut entraîner de graves blessures ou la mort. Ce manuel contient des informations importantes concernant l'entretien, l'utilisation et le fonctionnement de ce produit. Si vous ne comprenez pas le contenu de ce manuel, veuillez le signaler à votre supérieur. Conservez ce manuel dans un endroit sûr pour pouvoir vous y référer plus tard.

Français = p 23

Important Owner Information	2	Installation	13
Introduction	2	General.....	13
Important Safety Information	3	GRS Models.....	13
Model Descriptions	4	GRSB and GRSE Models.....	14
GRS Model.....	4	Operation	17
GRSB and GRSE Models.....	4	General.....	17
Model Designation	4	Maintenance	18
Specifications	5	General.....	18
Plug Configurations.....	5	Daily Cleaning.....	18
Dimensions — GRS Models.....	5	Troubleshooting Guide	18
Dimensions — GRSE Models.....	6	Options and Accessories	19
Dimensions — GRSE Models.....	7	Limited Warranty	22
Electrical Rating Chart — GRS Models.....	8	Authorized Parts Distributors	Back Cover
Electrical Rating Chart — GRSE Models.....	11		
Electrical Rating Chart — GRSE Models.....	12		

IMPORTANT OWNER INFORMATION

Record the model number, serial number, voltage, and purchase date of the unit in the spaces below (specification label on bottom of GRS model, bottom of control box on GRSE and GRSE models). Please have this information available when calling Hatco for service assistance.

Model No. _____

Serial No. _____

Voltage _____

Date of Purchase _____

Register your unit!

Completing online warranty registration will prevent delay in obtaining warranty coverage. Access the Hatco website at www.hatcocorp.com, select the *Support* pull-down menu, and click on "Warranty".

Business Hours: 7:00 AM to 5:00 PM Monday–Friday, Central Time (CT)
 (Summer Hours — June to September:
 7:00 AM to 5:00 PM Monday–Thursday
 7:00 AM to 4:00 PM Friday)

Telephone: 800-558-0607; 414-671-6350

E-mail: support@hatcocorp.com



24 Hour 7 Day Parts and Service Assistance available in the United States and Canada by calling 800-558-0607.

Additional information can be found by visiting our web site at www.hatcocorp.com.

INTRODUCTION

Hatco Glo-Ray® Heated Shelves are designed to keep prepared foods hot in kitchen work areas, server pick-up stations, or customer serving points. Heated Shelves will keep all foods at optimum serving temperatures without affecting quality. These warmers have a thermostatically-controlled heated base to extend the holding times of most foods.

Glo-Ray Heated Shelves are a product of extensive research and field testing. The materials used were selected for maximum durability, attractive appearance, and optimum performance. Every unit is inspected and tested thoroughly prior to shipment.

This manual provides the installation, safety, and operating instructions for the Glo-Ray Heated Shelf. Hatco recommends all installation, operating, and safety instructions appearing in this manual be read prior to installation or operation of the Glo-Ray Heated Shelf.

Safety information that appears in this manual is identified by the following signal word panels:



WARNING indicates a hazardous situation which, if not avoided, could result in death or serious injury.



CAUTION indicates a hazardous situation which, if not avoided, could result in minor or moderate injury.



NOTICE is used to address practices not related to personal injury.



Read the following important safety information before using this equipment to avoid serious injury or death and to avoid damage to equipment or property.

⚠ WARNING

ELECTRIC SHOCK HAZARD:

- Plug unit into a properly grounded electrical receptacle of the correct voltage, size, and plug configuration. If plug and receptacle do not match, contact a qualified electrician to determine and install the proper voltage and size electrical receptacle.
- Turn OFF power switch, unplug power cord, and allow unit to cool before performing any cleaning, adjustments, or maintenance.
- DO NOT submerge or saturate with water. Unit is not waterproof. Do not operate if unit has been submerged or saturated with water.
- Unit is not weatherproof. Locate unit indoors where ambient air temperature is a minimum of 70°F (21°C).
- This unit is not “jet-proof” construction. Do not use jet-clean spray to clean this unit.
- Do not steam clean or use excessive water on unit.
- Do not pull unit by power cord.
- Discontinue use if power cord is frayed or worn.
- Do not attempt to repair or replace a damaged power cord. The cord must be replaced by Hatco, an Authorized Hatco Service Agent, or a person with similar qualifications.
- This unit must be serviced by qualified personnel only. Service by unqualified personnel may lead to electric shock or burn.
- Remote control enclosure must be mounted on vertical wall and installed in vertical position. Mounting remote control enclosure in horizontal position may result in collection of liquids and lead to electric shock.
- Use only Genuine Hatco Replacement Parts when service is required. Failure to use Genuine Hatco Replacement Parts will void all warranties and may subject operators of the equipment to hazardous electrical voltage, resulting in electrical shock or burn. Genuine Hatco Replacement Parts are specified to operate safely in the environments in which they are used. Some aftermarket or generic replacement parts do not have the characteristics that will allow them to operate safely in Hatco equipment.

FIRE HAZARD: Locate unit a minimum of 1” (25 mm) from combustible walls and materials. If safe distances are not maintained, discoloration or combustion could occur.

Make sure food product has been heated to the proper food-safe temperature before placing on the unit. Failure to heat food product properly may result in serious health risks. This unit is for holding preheated food product only.

Make sure all operators have been instructed on the safe and proper use of the unit.

This unit is not intended for use by children or persons with reduced physical, sensory, or mental capabilities. Ensure proper supervision of children and keep them away from the unit.

⚠ WARNING

This unit has no “user-serviceable” parts. If service is required on this unit, contact an Authorized Hatco Service Agent or contact the Hatco Service Department at 800-558-0607 or 414-671-6350.

⚠ CAUTION

BURN HAZARD: Some exterior surfaces on unit will get hot. Use caution when touching these areas.

Locate unit at proper counter height in an area that is convenient for use. The location should be level to prevent unit or its contents from falling accidentally and strong enough to support the weight of unit and contents.

Do not operate built-in models without control box mounted properly as described in installation instructions.

Do not operate unit without installing supplied legs.

The National Sanitation Foundation (NSF) requires that units over 36” (914 mm) in width or weighing more than 80 lbs. (36 kg) either be sealed to or raised above installation surface. If unit cannot be sealed at the point of use, 4” (102 mm) legs are included to allow for proper cleaning access below unit.

NOTICE

Unit is designed and recommended for use in or on metallic countertops. Damage to any countertop material is not covered under the Hatco warranty. For other surfaces, verify with manufacturer that material is suitable for prolonged temperatures up to 200°F (93°C).

Do not modify wiring or cut thermostat capillary on control enclosure to increase remote mounting distance. Cutting thermostat capillary will cause unit to overheat and may damage unit as well as surrounding countertop.

Do not use excessive force when tightening mounting screws on built-in units. This may damage unit and/or countertop.

Do not lay unit on the side with the control panel. Damage to unit could occur.

Use non-abrasive cleaners and cloths only. Abrasive cleaners and cloths could scratch the finish of the unit, marring its appearance and making it susceptible to soil accumulation.

Install remote mounted control enclosure outside of heat zone. Locating control enclosure inside heat zone will cause control(s) to overheat, malfunction, and fail.

Do not slide pans across hardcoat surface, use rough-bottomed pans, or drop anything on hardcoat surface. Scratching may occur. Damage to hardcoat surface caused by misuse is not covered under warranty.

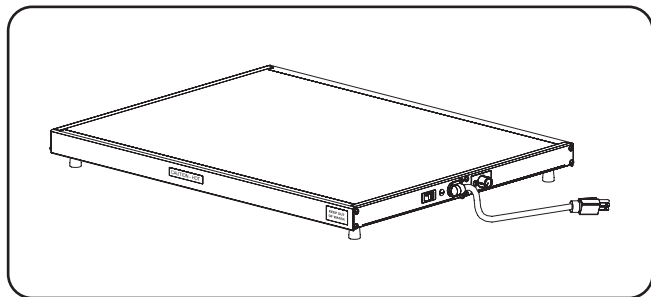
Do not locate unit in area with excessive air movement around unit. Avoid areas that may be subject to active air movements or currents (i.e., near exhaust fans/hoods, air conditioning ducts, and exterior doors).

MODEL DESCRIPTION

GRS Model

The GRS Heated Shelf is ideal for pass-through areas, buffet lines, or as a heated work shelf. It features a Power On/Off rocker switch with indicator light, an adjustable thermostat control, and a 6' (1829 mm) power cord with plug. Surface mounted, blanket-type foil elements distribute heat under the entire stainless steel or hardcoat aluminum surface.

All GRS models are shipped from the factory completely assembled (except legs) and ready for use.



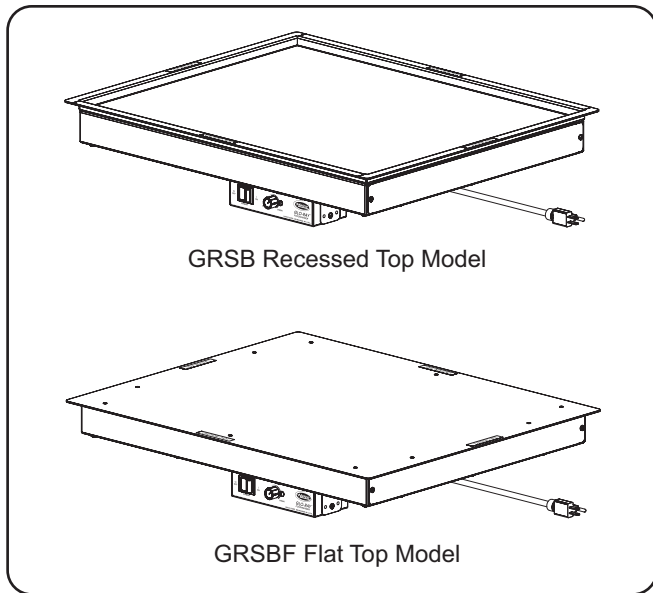
GRS Model

GRSB and GRSBF Models

The GRSB and GRSBF Built-In Heated Shelves have a hardcoat aluminum surface and a blanket-type foil element for uniform heat distribution. Ideal for server-to-customer pass-through areas, buffet/cafeteria lines, and other self-service areas. The GRSB model features a recessed top. The GRSBF model features a flat top.

A 36" (914 mm) flexible conduit channels the power lines from the shelf to a control box. The control box comes with an illuminated POWER ON/OFF (I/O) rocker switch, an adjustable thermostat control, and mounting brackets. The attached control box can be mounted semi-remotely up to 36" (914 mm) from the unit. A 6' (1829 mm) power cord and plug is attached to the control box.

The GRSB and GRSBF models have a 3/4" (19 mm) flanged edge that allows the unit to drop into a countertop opening for recessed mounting. The shelves are easy to clean with a non-abrasive, damp cloth and/or non-abrasive cleaner. All GRSB and GRSBF models are shipped from the factory completely assembled and ready for installation.



GRSB Recessed Top Model

GRSBF Flat Top Model

GRSB and GRSBF Models

MODEL DESIGNATION

GRSBF - xx - F

Glo-Ray®	Heated Depth	
Heated Shelf	GRS Models	GRSB Models
B = Built-In	I = 19-1/2" (495 mm)	F = 15-1/2" (394 mm)
No Character = Free Standing	A = 6" (152 mm)	I = 19-1/2" (495 mm)
F = Flat	B = 7-3/4" (197 mm)	S = 24" (610 mm)
No Character = Recessed Top	C = 9-3/4" (248 mm)	O = 30" (762 mm)
Heated Width	D = 12" (305 mm)	
	E = 13-3/4" (349 mm)	GRSBF Models
	F = 15-1/2" (394 mm)	F = 15-1/2" (394 mm)
	G = 15-3/4" (400 mm)	I = 19-1/2" (495 mm)
	H = 17-1/2" (445 mm)	S = 24" (610 mm)
	J = 21-1/2" (546 mm)	O = 30" (762 mm)
	K = 23-1/2" (597 mm)	
	L = 25-1/2" (648 mm)	

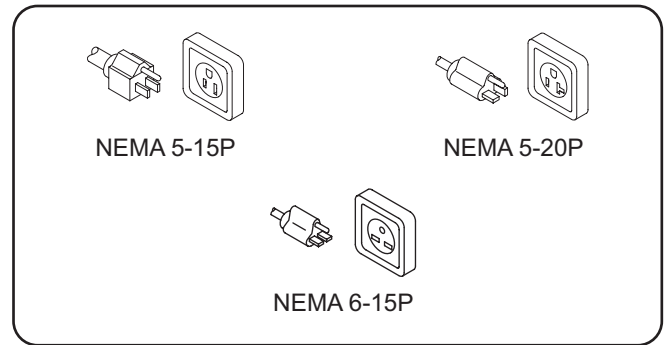
Plug Configurations

Units are supplied from the factory with an electrical cord and plug installed. Plugs are supplied according to the application.



ELECTRIC SHOCK HAZARD: Plug unit into a properly grounded electrical receptacle of the correct voltage, size, and plug configuration. If plug and receptacle do not match, contact a qualified electrician to determine and install the proper voltage and size electrical receptacle.

NOTE: The specification label is located on the bottom of GRS models and the bottom of the remote control box on GRSB and GRSBF models. See label for serial number and verification of unit electrical information.



Plug Configurations

NOTE: Receptacle not supplied by Hatco.

Dimensions — GRS Models

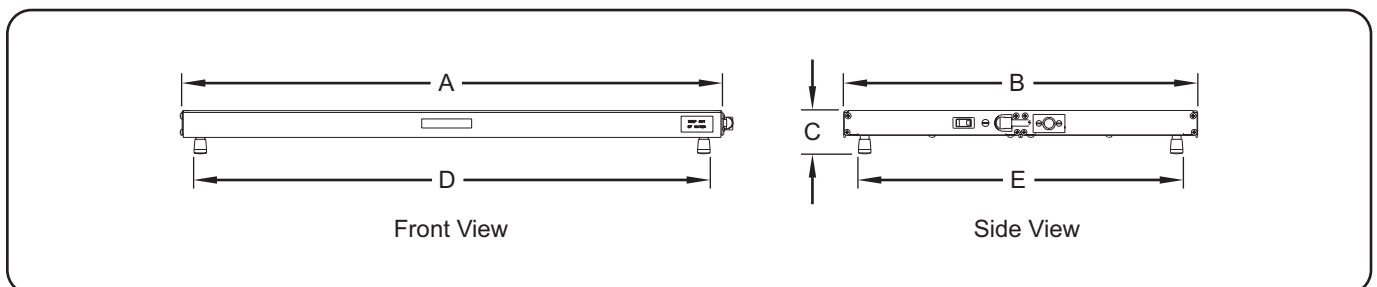
Model	Width (A)	Depth (B)	Height (C)	Footprint Width (D)	Footprint Depth (E)
GRS-18-I	18" (457 mm)	19-1/2" (495 mm)	2-1/4" (57 mm) †	16-3/4" (425 mm)	18" (457 mm)
GRS-24-I	24" (610 mm)	19-1/2" (495 mm)	2-1/4" (57 mm) †	22-3/4" (578 mm)	18" (457 mm)
GRS-30-I	30" (762 mm)	19-1/2" (495 mm)	2-1/4" (57 mm) †	28-3/4" (730 mm)	18" (457 mm)
GRS-36-I	36" (914 mm)	19-1/2" (495 mm)	5-1/4" (133 mm) *	34-3/4" (883 mm)	18" (457 mm)
GRS-42-I	42" (1067 mm)	19-1/2" (495 mm)	5-1/4" (133 mm) *	40-3/4" (1035 mm)	18" (457 mm)
GRS-48-I	48" (1219 mm)	19-1/2" (495 mm)	5-1/4" (133 mm) *	46-3/4" (1187 mm)	18" (457 mm)
GRS-54-I	54" (1372 mm)	19-1/2" (495 mm)	5-1/4" (133 mm) *	52-3/4" (1340 mm)	18" (457 mm)
GRS-60-I	60" (1524 mm)	19-1/2" (495 mm)	5-1/4" (133 mm) *	58-3/4" (1492 mm)	18" (457 mm)
GRS-66-I	66" (1676 mm)	19-1/2" (495 mm)	5-1/4" (133 mm) *	64-3/4" (1645 mm)	18" (457 mm)
GRS-72-I	72" (1829 mm)	19-1/2" (495 mm)	5-1/4" (133 mm) *	70-3/4" (1797 mm)	18" (457 mm)

† Height includes 1" (25 mm) legs.

* Height includes 4" (102 mm) legs.

NOTE: All models listed above are based on 19-1/2" (495 mm) depth (I). The additional depths available include:

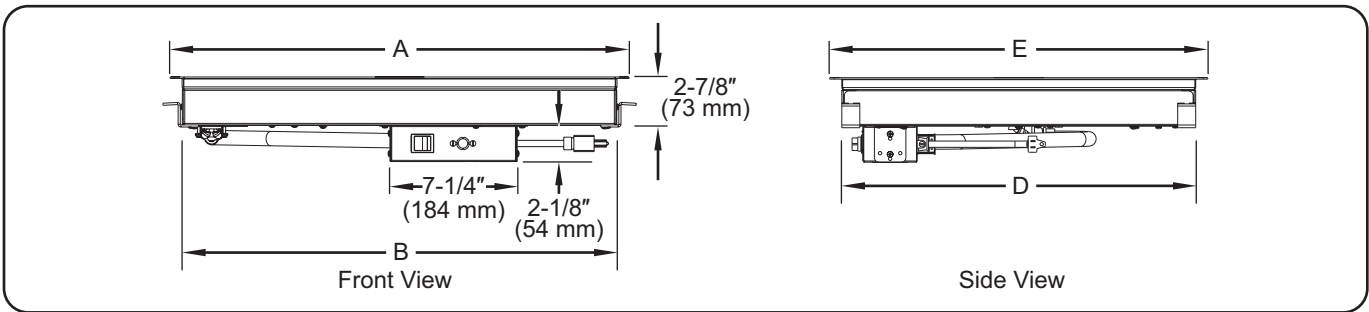
A = 6" (152 mm)	B = 7-3/4" (197 mm)	C = 9-3/4" (248 mm)	D = 12" (305 mm)
E = 13-3/4" (349 mm)	F = 15-1/2" (394 mm)	G = 15-3/4" (400 mm)	H = 17-1/2" (445 mm)
J = 21-1/2" (546 mm)	K = 23-1/2" (597 mm)	L = 25-1/2" (648 mm)	



GRS Model Dimensions

Dimensions — GRSB Models

Model	Overall Width (A)	Heated Width (B)	Heated Depth (C)	Overall Depth (D)
GRSB-24-F	25-1/2" (648 mm)	24" (610 mm)	15-1/2" (394 mm)	17" (432 mm)
GRSB-24-I	25-1/2" (648 mm)	24" (610 mm)	19-1/2" (495 mm)	21" (533 mm)
GRSB-24-O	25-1/2" (648 mm)	24" (610 mm)	30" (762 mm)	31-1/2" (800 mm)
GRSB-30-F	31-1/2" (800 mm)	30" (762 mm)	15-1/2" (394 mm)	17" (432 mm)
GRSB-30-I	31-1/2" (800 mm)	30" (762 mm)	19-1/2" (495 mm)	21" (533 mm)
GRSB-30-O	31-1/2" (800 mm)	30" (762 mm)	30" (762 mm)	31-1/2" (800 mm)
GRSB-36-F	37-1/2" (953 mm)	36" (914 mm)	15-1/2" (394 mm)	17" (432 mm)
GRSB-36-I	37-1/2" (953 mm)	36" (914 mm)	19-1/2" (495 mm)	21" (533 mm)
GRSB-36-O	37-1/2" (953 mm)	36" (914 mm)	30" (762 mm)	31-1/2" (800 mm)
GRSB-42-F	43-1/2" (1105 mm)	42" (1067 mm)	15-1/2" (394 mm)	17" (432 mm)
GRSB-42-I	43-1/2" (1105 mm)	42" (1067 mm)	19-1/2" (495 mm)	21" (533 mm)
GRSB-42-O	43-1/2" (1105 mm)	42" (1067 mm)	30" (762 mm)	31-1/2" (800 mm)
GRSB-48-F	49-1/2" (1257 mm)	48" (1219 mm)	15-1/2" (394 mm)	17" (432 mm)
GRSB-48-I	49-1/2" (1257 mm)	48" (1219 mm)	19-1/2" (495 mm)	21" (533 mm)
GRSB-48-O	49-1/2" (1257 mm)	48" (1219 mm)	30" (762 mm)	31-1/2" (800 mm)
GRSB-54-I	55-1/2" (1410 mm)	54" (1372 mm)	19-1/2" (495 mm)	21" (533 mm)
GRSB-60-F	61-1/2" (1562 mm)	60" (1524 mm)	15-1/2" (394 mm)	17" (432 mm)
GRSB-60-I	61-1/2" (1562 mm)	60" (1524 mm)	19-1/2" (495 mm)	21" (533 mm)
GRSB-60-O	61-1/2" (1562 mm)	60" (1524 mm)	30" (762 mm)	31-1/2" (800 mm)
GRSB-66-F	67-1/2" (1715 mm)	66" (1676 mm)	15-1/2" (394 mm)	17" (432 mm)
GRSB-66-I	67-1/2" (1715 mm)	66" (1676 mm)	19-1/2" (495 mm)	21" (533 mm)
GRSB-72-F	73-1/2" (1867 mm)	72" (1829 mm)	15-1/2" (394 mm)	17" (432 mm)
GRSB-72-I	73-1/2" (1867 mm)	72" (1829 mm)	19-1/2" (495 mm)	21" (533 mm)
GRSB-72-O	73-1/2" (1867 mm)	72" (1829 mm)	30" (762 mm)	31-1/2" (800 mm)



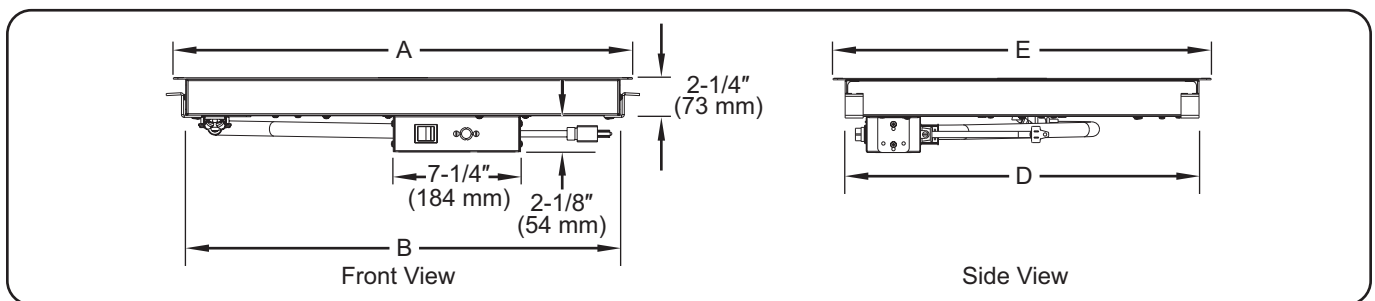
GRSB Model Dimensions

NOTICE

Refer to the **INSTALLATION** section of this manual for actual countertop cutout dimensions.

Dimensions — GRSBF Models

Model	Heated Width (A)	Width (B)	Depth (C)	Heated Depth (D)
GRSBF-18-F	19-1/2" (495 mm)	18-3/32" (460 mm)	15-1/2" (394 mm)	17" (432 mm)
GRSBF-24-F	25-1/2" (648 mm)	24-3/32" (612 mm)	15-1/2" (394 mm)	17" (432 mm)
GRSBF-24-I	25-1/2" (648 mm)	24-3/32" (612 mm)	19-1/2" (495 mm)	21" (533 mm)
GRSBF-24-S	25-1/2" (648 mm)	24-3/32" (612 mm)	24" (610 mm)	25-1/2" (648 mm)
GRSBF-24-O	25-1/2" (648 mm)	24-3/32" (612 mm)	30" (762 mm)	31-1/2" (800 mm)
GRSBF-30-F	31-1/2" (800 mm)	30-3/32" (764 mm)	15-1/2" (394 mm)	17" (432 mm)
GRSBF-30-I	31-1/2" (800 mm)	30-3/32" (764 mm)	19-1/2" (495 mm)	21" (533 mm)
GRSBF-30-S	31-1/2" (800 mm)	30-3/32" (764 mm)	24" (610 mm)	25-1/2" (648 mm)
GRSBF-30-O	31-1/2" (800 mm)	30-3/32" (764 mm)	30" (762 mm)	31-1/2" (800 mm)
GRSBF-36-F	37-1/2" (953 mm)	36-3/32" (917 mm)	15-1/2" (394 mm)	17" (432 mm)
GRSBF-36-I	37-1/2" (953 mm)	36-3/32" (917 mm)	19-1/2" (495 mm)	21" (533 mm)
GRSBF-36-S	37-1/2" (953 mm)	36-3/32" (917 mm)	24" (610 mm)	25-1/2" (648 mm)
GRSBF-36-O	37-1/2" (953 mm)	36-3/32" (917 mm)	30" (762 mm)	31-1/2" (800 mm)
GRSBF-42-F	43-1/2" (1105 mm)	42-3/32" (1069 mm)	15-1/2" (394 mm)	17" (432 mm)
GRSBF-42-I	43-1/2" (1105 mm)	42-3/32" (1069 mm)	19-1/2" (495 mm)	21" (533 mm)
GRSBF-42-S	43-1/2" (1105 mm)	42-3/32" (1069 mm)	24" (610 mm)	25-1/2" (648 mm)
GRSBF-42-O	43-1/2" (1105 mm)	42-3/32" (1069 mm)	30" (762 mm)	31-1/2" (800 mm)
GRSBF-48-F	49-1/2" (1257 mm)	48-3/32" (1222 mm)	15-1/2" (394 mm)	17" (432 mm)
GRSBF-48-I	49-1/2" (1257 mm)	48-3/32" (1222 mm)	19-1/2" (495 mm)	21" (533 mm)
GRSBF-48-S	49-1/2" (1257 mm)	48-3/32" (1222 mm)	24" (610 mm)	25-1/2" (648 mm)
GRSBF-48-O	49-1/2" (1257 mm)	48-3/32" (1222 mm)	30" (762 mm)	31-1/2" (800 mm)
GRSBF-60-F	61-1/2" (1562 mm)	60-3/32" (1526 mm)	15-1/2" (394 mm)	17" (432 mm)
GRSBF-60-I	61-1/2" (1562 mm)	60-3/32" (1526 mm)	19-1/2" (495 mm)	21" (533 mm)
GRSBF-60-S	61-1/2" (1562 mm)	60-3/32" (1526 mm)	24" (610 mm)	25-1/2" (648 mm)
GRSBF-60-O	61-1/2" (1562 mm)	60-3/32" (1526 mm)	30" (762 mm)	31-1/2" (800 mm)
GRSBF-66-I	67-1/2" (1715 mm)	66-3/32" (1676 mm)	19-1/2" (495 mm)	21" (533 mm)
GRSBF-72-F	73-1/2" (1867 mm)	72-3/32" (1831 mm)	15-1/2" (394 mm)	17" (432 mm)
GRSBF-72-I	73-1/2" (1867 mm)	72-3/32" (1831 mm)	19-1/2" (495 mm)	21" (533 mm)
GRSBF-72-S	73-1/2" (1867 mm)	72-3/32" (1831 mm)	24" (610 mm)	25-1/2" (648 mm)
GRSBF-72-O	73-1/2" (1867 mm)	72-3/32" (1831 mm)	30" (762 mm)	31-1/2" (800 mm)



GRSBF Model Dimensions

Electrical Rating Chart — Standard 19-1/2" Depth GRS Models

Model	Voltage	Watts	Amps	Plug Configuration	Shipping Weight
GRS-18-I	120	250	2.1	NEMA 5-15P	16 lbs. (7 kg)
GRS-24-I	120	350	2.9	NEMA 5-15P	20 lbs. (9 kg)
GRS-30-I	120	450	3.8	NEMA 5-15P	25 lbs. (11 kg)
GRS-36-I	120	550	4.6	NEMA 5-15P	28 lbs. (13 kg)
GRS-42-I	120	600	5.0	NEMA 5-15P	32 lbs. (15 kg)
GRS-48-I	120	700	5.8	NEMA 5-15P	36 lbs. (16 kg)
GRS-54-I	120	800	6.7	NEMA 5-15P	42 lbs. (19 kg)
GRS-60-I	120	900	7.5	NEMA 5-15P	44 lbs. (20 kg)
GRS-66-I	120	1000	8.3	NEMA 5-15P	50 lbs. (23 kg)
GRS-72-I	120	1100	9.2	NEMA 5-15P	56 lbs. (25 kg)

Electrical Rating Chart — Additional Depth GRS Models

Model	Voltage	Watts	Amps	Plug Configuration	Shipping Weight
GRS-18-A	120	100	0.8	NEMA 5-15P	16 lbs. (7 kg)
GRS-18-B					
GRS-18-C		125	1.0		
GRS-18-D					
GRS-18-E		200	1.7		
GRS-18-F					
GRS-18-G		225	1.9		
GRS-18-H					
GRS-18-J		300	2.5		
GRS-18-K					
GRS-18-L	325	2.7			
GRS-18-L	350	2.9			
GRS-24-A	120	125	1.0	NEMA 5-15P	20 lbs. (9 kg)
GRS-24-B					
GRS-24-C		175	1.5		
GRS-24-D					
GRS-24-E		250	2.1		
GRS-24-F					
GRS-24-G		300	2.5		
GRS-24-H					
GRS-24-J		375	3.1		
GRS-24-K					
GRS-24-L	425	3.5			
GRS-24-L	475	4.0			
GRS-30-A	120	150	1.3	NEMA 5-15P	25 lbs. (11 kg)
GRS-30-B					
GRS-30-C		225	1.9		
GRS-30-D					
GRS-30-E		300	2.5		
GRS-30-F					
GRS-30-G		375	3.1		
GRS-30-H					
GRS-30-J		450	3.8		
GRS-30-K					
GRS-30-L	525	4.4			
GRS-30-L	600	5.0			

continued...

Electrical Rating Chart — Additional Depth GRS Models

Model	Voltage	Watts	Amps	Plug Configuration	Shipping Weight
GRS-36-A	120	175	1.5	NEMA 5-15P	28 lbs. (13 kg)
GRS-36-B			2.3		
GRS-36-C		350	2.9		
GRS-36-D					
GRS-36-E		450	3.8		
GRS-36-F					
GRS-36-G					
GRS-36-H					
GRS-36-J					
GRS-36-K					
GRS-36-L		725	6.0		
GRS-42-A	120	225	1.9	NEMA 5-15P	32 lbs. (15 kg)
GRS-42-B			2.5		
GRS-42-C		300	2.5		
GRS-42-D					
GRS-42-E		450	3.8		
GRS-42-F					
GRS-42-G		525	4.4		
GRS-42-H					
GRS-42-J					
GRS-42-K					
GRS-42-L					
GRS-42-L					
GRS-48-A		120	250		
GRS-48-B	2.9				
GRS-48-C	350		2.9		
GRS-48-D					
GRS-48-E	500		4.2		
GRS-48-F					
GRS-48-G	600		5.0		
GRS-48-H					
GRS-48-J					
GRS-48-K					
GRS-48-L					
GRS-48-L				950	7.9
GRS-54-A	120		275	2.3	NEMA 5-15P
GRS-54-B		3.3			
GRS-54-C		400	3.3		
GRS-54-D					
GRS-54-E		550	4.6		
GRS-54-F					
GRS-54-G		675	5.6		
GRS-54-H					
GRS-54-J					
GRS-54-K					
GRS-54-L					
GRS-54-L				1075	

NOTE: The last letter in the above models indicate the following depths:

continued...

A = 6" (152 mm) B = 7-3/4" (197 mm) C = 9-3/4" (248 mm) D = 12" (305 mm)
 E = 13-3/4" (349 mm) F = 15-1/2" (394 mm) G = 15-3/4" (400 mm) H = 17-1/2" (445 mm)
 J = 21-1/2" (546 mm) K = 23-1/2" (597 mm) L = 25-1/2" (648 mm)

Electrical Rating Chart — Additional Depth GRS Models

Model	Voltage	Watts	Amps	Plug Configuration	Shipping Weight
GRS-60-A	120	300	2.5	NEMA 5-15P	44 lbs. (20 kg)
GRS-60-B					
GRS-60-C		450	3.8		
GRS-60-D					
GRS-60-E		600	5.0		
GRS-60-F					
GRS-60-G		750	6.3		
GRS-60-H					
GRS-60-J		900	7.5		
GRS-60-K					
GRS-60-L		1050	8.8		
	1200	10.0			
GRS-66-A	120	325	2.7	NEMA 5-15P	50 lbs. (23 kg)
GRS-66-B					
GRS-66-C		500	4.2		
GRS-66-D					
GRS-66-E		650	5.4		
GRS-66-F					
GRS-66-G		825	6.9		
GRS-66-H					
GRS-66-J		975	8.1		
GRS-66-K					
GRS-66-L		1150	9.6		
		1325	11.0		
GRS-72-A		120	350		
GRS-72-B					
GRS-72-C	550		4.6		
GRS-72-D					
GRS-72-E	700		5.8		
GRS-72-F					
GRS-72-G	900		7.5		
GRS-72-H					
GRS-72-J	1050		8.8		
GRS-72-K					
GRS-72-L	1250		10.4		
	1450		12.0		

NOTE: The last letter in the above models indicate the following:

- | | | | |
|----------------------|----------------------|----------------------|----------------------|
| A = 6" (152 mm) | B = 7-3/4" (197 mm) | C = 9-3/4" (248 mm) | D = 12" (305 mm) |
| E = 13-3/4" (349 mm) | F = 15-1/2" (394 mm) | G = 15-3/4" (400 mm) | H = 17-1/2" (445 mm) |
| J = 21-1/2" (546 mm) | K = 23-1/2" (597 mm) | L = 25-1/2" (648 mm) | |

Electrical Rating Chart — Standard GRSB Models

Model	Voltage	Watts	Amps	Plug Configuration	Shipping Weight
GRSB-24-F	120	420	3.5	NEMA 5-15P	20 lbs. (9 kg)
GRSB-24-I		550	4.6		22 lbs. (10 kg)
GRSB-24-O		790	6.6		26 lbs. (12 kg)
GRSB-24-S	208	680	3.3	NEMA 6-15P	27 lbs. (12 kg)
GRSB-30-F	120	505	4.2	NEMA 5-15P	23 lbs. (10 kg)
GRSB-30-I		665	5.6		25 lbs. (11 kg)
GRSB-30-O		950	7.9		28 lbs. (13 kg)
GRSB-36-F	120	590	4.9	NEMA 5-15P	26 lbs. (12 kg)
GRSB-36-I		780	6.5		29 lbs. (13 kg)
GRSB-36-O		1110	9.3		32 lbs. (15 kg)
GRSB-42-F	120	685	5.7	NEMA 5-15P	29 lbs. (13 kg)
GRSB-42-I		885	7.4		32 lbs. (15 kg)
GRSB-42-O	120	1270	10.6	NEMA 5-15P	35 lbs. (16 kg)
	208		6.1	NEMA 6-15P	35 lbs. (16 kg)
GRSB-42-S	208	1090	5.2	NEMA 6-15P	36 lbs. (16 kg)
GRSB-48-F	120	770	6.4	NEMA 5-15P	33 lbs. (15 kg)
GRSB-48-I		1000	8.3		36 lbs. (16 kg)
GRSB-48-O		1430	11.9		39 lbs. (18 kg)
GRSB-54-I	120	1110	9.3	NEMA 5-15P	43 lbs. (20 kg)
GRSB-60-F	120	950	7.9	NEMA 5-15P	45 lbs. (20 kg)
GRSB-60-I		1220	10.2		50 lbs. (23 kg)
GRSB-60-O		1750	14.6	NEMA 5-20P	54 lbs. (24 kg)
GRSB-66-F	120	1040	8.7	NEMA 5-15P	50 lbs. (23 kg)
GRSB-66-I		1330	11.1		54 lbs. (25 kg)
GRSB-72-F	120	1130	9.4	NEMA 5-15P	52 lbs. (24 kg)
GRSB-72-I		1440	12.0		58 lbs. (26 kg)
GRSB-72-O	208	2070	10.0	NEMA 6-15P	64 lbs. (29 kg)
	240		8.6		
GRSB-72-S	208	1750	8.4	NEMA 6-15P	65 lbs. (30 kg)

Electrical Rating Chart — Standard GRSBF Models

Model	Voltage	Watts	Amps	Plug Configuration	Shipping Weight
GRSBF-18-F	120	330	2.8	NEMA 5-15P	15 lbs. (7 kg)
GRSBF-24-F	120	420	3.5	NEMA 5-15P	20 lbs. (9 kg)
GRSBF-24-I		550	4.6		22 lbs. (10 kg)
GRSBF-24-S	120	700	5.8	NEMA 5-15P	24 lbs. (11 kg)
	208	680	3.3	NEMA 6-15P	
GRSBF-24-O	120	790	6.6	NEMA 5-15P	26 lbs. (12 kg)
GRSBF-30-F	120	505	4.2	NEMA 5-15P	23 lbs. (10 kg)
	208	505	2.4	NEMA 6-15P	23 lbs. (10 kg)
GRSBF-30-I	120	665	5.5	NEMA 5-15P	25 lbs. (11 kg)
GRSBF-30-S		825	6.9		26 lbs. (12 kg)
GRSBF-30-O		950	7.9		28 lbs. (13 kg)
GRSBF-36-F	120	590	4.9	NEMA 5-15P	26 lbs. (12 kg)
GRSBF-36-I	120	780	6.5	NEMA 5-15P	28 lbs. (13 kg)
	208	780	3.8	NEMA 6-15P	
GRSBF-36-S	120	950	7.9	NEMA 5-15P	31 lbs. (15 kg)
GRSBF-36-O		1110	9.3		32 lbs. (15 kg)
GRSBF-42-F	120	685	5.7	NEMA 5-15P	29 lbs. (13 kg)
GRSBF-42-I		885	7.4		32 lbs. (15 kg)
GRSBF-42-S		1100	9.2		34 lbs. (15 kg)
GRSBF-42-O		1270	10.6		35 lbs. (16 kg)
GRSBF-48-F	120	770	6.4	NEMA 5-15P	33 lbs. (15 kg)
GRSBF-48-I		1000	8.3		36 lbs. (16 kg)
GRSBF-48-S		1225	10.2		38 lbs. (17 kg)
GRSBF-48-O	120	1430	11.9	NEMA 5-15P	39 lbs. (18 kg)
	240	1430	6.0	NEMA 6-15P	
GRSBF-60-F	120	950	7.9	NEMA 5-15P	45 lbs. (20 kg)
GRSBF-60-I	120	1220	10.2		50 lbs. (23 kg)
	208	1220	5.9	NEMA 6-15P	50 lbs. (23 kg)
GRSBF-60-S	120	1500	12.5	NEMA 5-20P	53 lbs. (24 kg)
GRSBF-60-O	120	1750	14.6	NEMA 5-20P	54 lbs. (25 kg)
	240	1750	7.3	NEMA 6-15P	
GRSBF-66-I	208	1330	6.4	NEMA 6-15P	54 lbs. (25 kg)
	240		5.5		54 lbs. (25 kg)
GRSBF-72-F	120	1130	9.4	NEMA 5-15P	52 lbs. (24 kg)
GRSBF-72-I		1440	12.0		58 lbs. (26 kg)
GRSBF-72-S		1750	14.6	NEMA 5-20P	62 lbs. (28 kg)
GRSBF-72-O	208	2070	10.0	NEMA 6-15P	64 lbs. (29 kg)
	240	2070	8.6		

General

Use the following procedures to install the GRS, GRSB, and GRSBF units.



FIRE HAZARD: Locate unit a minimum of 1" (25 mm) from combustible walls and materials. If safe distances are not maintained, discoloration or combustion could occur.



Locate unit at proper counter height in an area that is convenient for use. The location should be level to prevent unit or its contents from falling accidentally and strong enough to support the weight of unit and contents.

Do not operate built-in models without control box mounted properly as described in the installation instructions.

Do not operate unit without installing supplied legs.

The National Sanitation Foundation (NSF) requires that units over 36" (914 mm) in width or weighing more than 80 lbs. (36 kg) either be sealed to or raised above the installation surface. If unit cannot be sealed at the point of use, 4" (102 mm) legs are included to allow for proper cleaning access below unit.

NOTICE

Do not operate unit prior to installing legs. Damage to unit could occur.

GRS Models

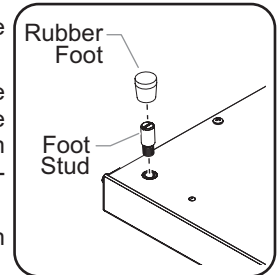
1. Remove the unit from the carton and place it upside down on the cardboard.

NOTE: To prevent delay in obtaining warranty coverage, complete online warranty registration. See the IMPORTANT OWNER INFORMATION section for details.

2. Install the 1" (25 mm) legs to the unit.

- a. Thread a foot stud into the hole at each corner on the bottom of the unit. Tighten securely, but do not over-tighten.

- b. Slip a rubber foot over each foot stud.



NOTE: If 4" (102 mm) legs are required, refer to the OPTIONS AND ACCESSORIES section in this manual for installation instructions.

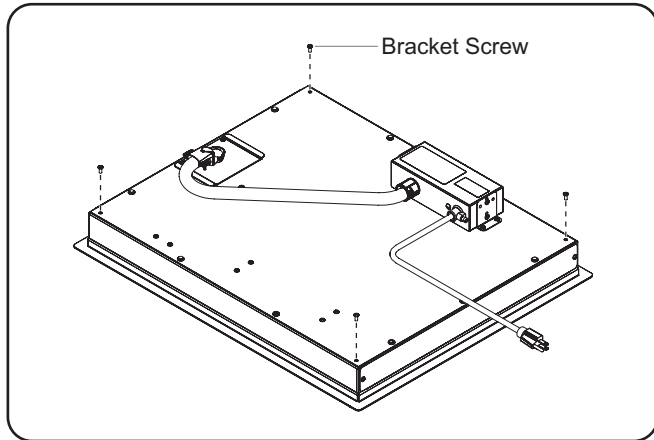
NOTE: If the unit will be installed on a wire shelf, refer to the OPTIONS AND ACCESSORIES section in this manual for installation instructions.

3. Turn unit upright, and place unit in the desired location.
 - Locate the unit in an area where the ambient air temperature is constant and a minimum of 70° F (21° C). Avoid areas that may be subject to active air movements or currents (i.e., near exterior doors, exhaust fans/hoods, air conditioning ducts, etc...).
 - Make sure the unit is at the proper counter height in an area convenient for use.
 - Make sure the countertop is level and strong enough to support the weight of the unit and food product.
 - Make sure all the feet on the bottom of the unit are positioned securely on the countertop.

GRSB and GRSBF Models

1. Remove the unit from the carton and place it upside down on the cardboard.

NOTE: To prevent delay in obtaining warranty coverage, complete online warranty registration. See the IMPORTANT OWNER INFORMATION section for details.



Underside of GRSB Models

2. Remove and save the bracket screws from the underside of the unit.

NOTE: The control box may be moved to the most convenient location on the underside of the unit. For semi-remote installations, leave the control box in place until the unit is placed into the countertop.

NOTICE

Unit is designed and recommended for use in or on metallic countertops. Damage to any countertop material is not covered under the Hatco warranty. For other surfaces, verify with manufacturer that material is suitable for prolonged temperatures up to 200°F (93°C).

3. Prepare countertop opening. Refer to the appropriate "Countertop Cutout" chart on the following pages for recommended countertop cutout dimensions.
4. Apply a bead of NSF-approved sealant between the countertop material and the mounting flange on the unit. The sealant must be rated for use at a minimum temperature of 250°F (121°C).
5. Place the unit into the countertop opening.
6. Assemble the Z-brackets to the underside of the unit using the four bracket screws removed earlier in this procedure (refer to the illustrations on the following pages).

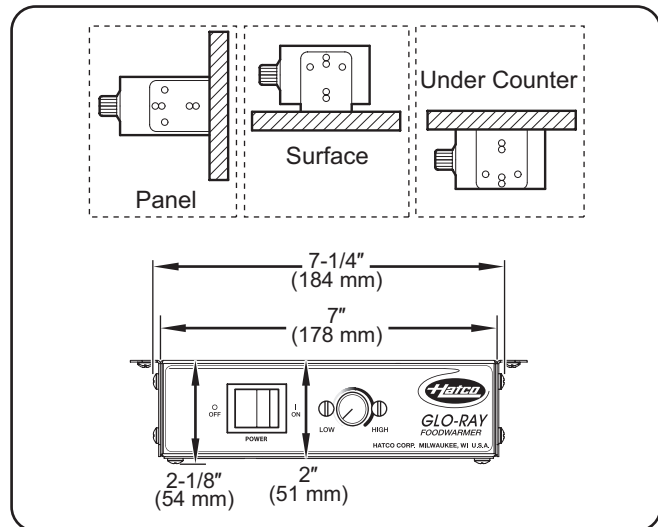
NOTE: Units 60" (1524 mm) or longer require two additional Z-brackets to be installed midway along the front and rear of the unit.

7. Adjust the mounting screws on the Z-brackets until the top flange lies flat on the countertop.

NOTICE

Do not use excessive force when tightening mounting screws on built-in units. This may damage unit and/or countertop.

8. Remove any excess sealant.
9. If desired or necessary, the control box can be mounted in a semi-remote location.
 - a. Remove the control box from the bottom of the unit.
 - b. If necessary, remove the end brackets from the control box, rotate/reposition, and re-secure to the control box.
 - c. The control box can be panel, surface, under counter, or recess mounted.



Control Box Mounting Options

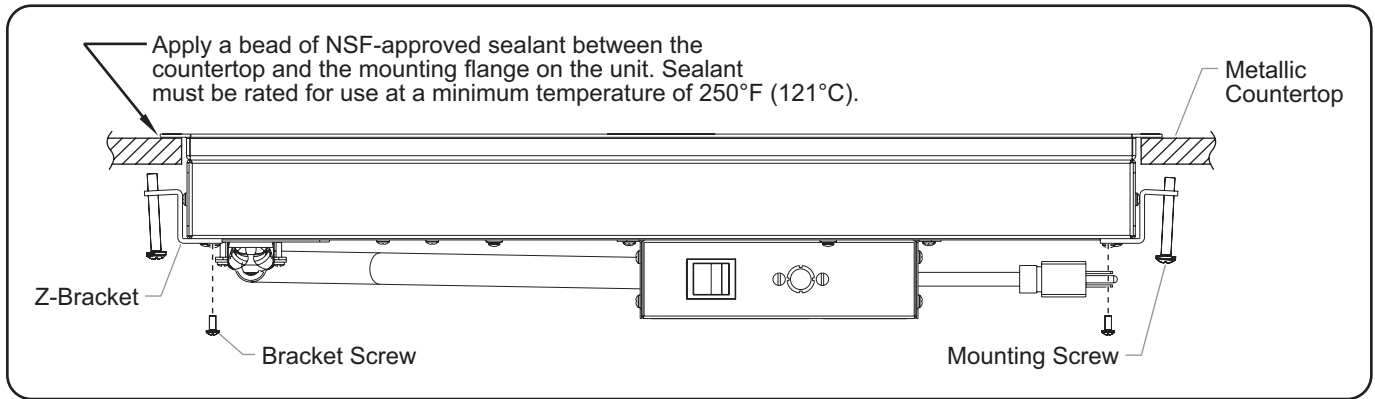
- d. The distance the control box can be mounted from the unit is determined by the 36" (914 mm) conduit. Do not pull the conduit tight to increase the mounting distance. The conduit should have some slack after the control box is mounted.

NOTICE

Do not modify wiring or cut thermostat capillary on control enclosure to increase-remote mounting distance. Cutting thermostat capillary will cause unit to overheat and may damage unit as well as surrounding countertop.

10. Once all components are secured, proceed to the OPERATION section.

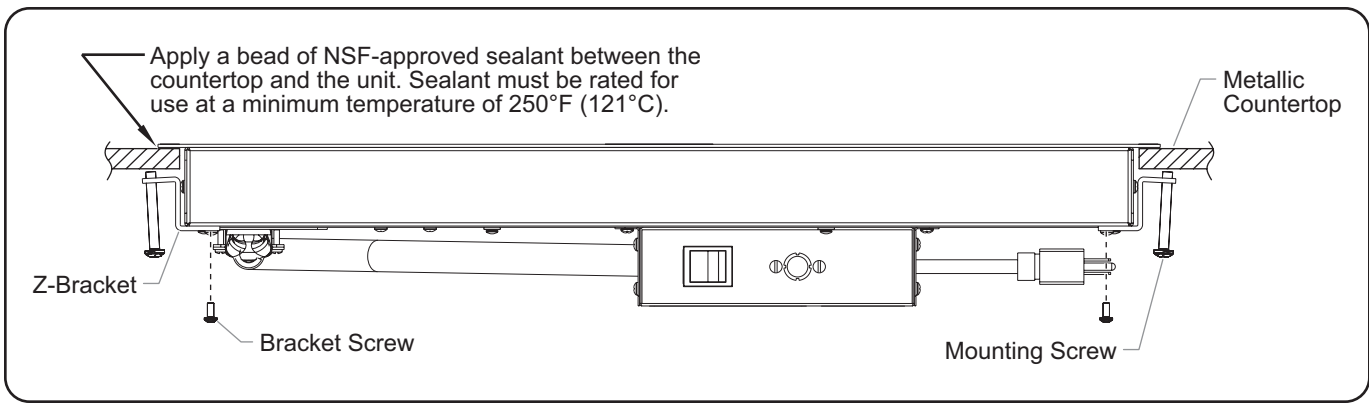
NOTE: A 6' (1829 mm) cord is supplied with this unit; any excess cord should be routed neatly so it does not hang down.



GRSB Model Installation

Countertop Cutout — GRSB Models

Model	Minimum Width	Maximum Width	Minimum Depth	Maximum Depth
GRSB-24-F	24-1/2" (622 mm)	24-3/4" (629 mm)	16" (406 mm)	16-1/4" (413 mm)
GRSB-24-I	24-1/2" (622 mm)	24-3/4" (629 mm)	20" (508 mm)	20-1/4" (514 mm)
GRSB-24-O	24-1/2" (622 mm)	24-3/4" (629 mm)	30-1/2" (775 mm)	30-3/4" (781 mm)
GRSB-30-F	30-1/2" (775 mm)	30-3/4" (781 mm)	16" (406 mm)	16-1/4" (413 mm)
GRSB-30-I	30-1/2" (775 mm)	30-3/4" (781 mm)	20" (508 mm)	20-1/4" (514 mm)
GRSB-30-O	30-1/2" (775 mm)	30-3/4" (781 mm)	30-1/2" (775 mm)	30-3/4" (781 mm)
GRSB-36-F	36-1/2" (927 mm)	36-3/4" (934 mm)	16" (406 mm)	16-1/4" (413 mm)
GRSB-36-I	36-1/2" (927 mm)	36-3/4" (934 mm)	20" (508 mm)	20-1/4" (514 mm)
GRSB-36-O	36-1/2" (927 mm)	36-3/4" (934 mm)	30-1/2" (775 mm)	30-3/4" (781 mm)
GRSB-42-F	42-1/2" (1080 mm)	42-3/4" (1086 mm)	16" (406 mm)	16-1/4" (413 mm)
GRSB-42-I	42-1/2" (1080 mm)	42-3/4" (1086 mm)	20" (508 mm)	20-1/4" (514 mm)
GRSB-42-O	42-1/2" (1080 mm)	42-3/4" (1086 mm)	30-1/2" (775 mm)	30-3/4" (781 mm)
GRSB-48-F	48-1/2" (1232 mm)	48-3/4" (1238 mm)	16" (406 mm)	16-1/4" (413 mm)
GRSB-48-I	48-1/2" (1232 mm)	48-3/4" (1238 mm)	20" (508 mm)	20-1/4" (514 mm)
GRSB-48-O	48-1/2" (1232 mm)	48-3/4" (1238 mm)	30-1/2" (775 mm)	30-3/4" (781 mm)
GRSB-54-I	54-1/2" (1384 mm)	54-3/4" (1391 mm)	20" (508 mm)	20-1/4" (514 mm)
GRSB-60-F	60-1/2" (1537 mm)	60-3/4" (1543 mm)	16" (406 mm)	16-1/4" (413 mm)
GRSB-60-I	60-1/2" (1537 mm)	60-3/4" (1543 mm)	20" (508 mm)	20-1/4" (514 mm)
GRSB-60-O	60-1/2" (1537 mm)	60-3/4" (1543 mm)	30-1/2" (775 mm)	30-3/4" (781 mm)
GRSB-66-F	66-1/2" (1689 mm)	66-3/4" (1696 mm)	16" (406 mm)	16-1/4" (413 mm)
GRSB-66-I	66-1/2" (1689 mm)	66-3/4" (1696 mm)	20" (508 mm)	20-1/4" (514 mm)
GRSB-72-F	72-1/2" (1842 mm)	72-3/4" (1848 mm)	16" (406 mm)	16-1/4" (413 mm)
GRSB-72-I	72-1/2" (1842 mm)	72-3/4" (1848 mm)	20" (508 mm)	20-1/4" (514 mm)
GRSB-72-O	72-1/2" (1842 mm)	72-3/4" (1848 mm)	30-1/2" (775 mm)	30-3/4" (781 mm)



GRSBF Model Installation

Countertop Cutout — GRSBF Models

Model	Minimum Width	Maximum Width	Minimum Depth	Maximum Depth
GRSBF-18-F	18-1/2" (470 mm)	18-3/4" (476 mm)	16" (406 mm)	16-1/4" (413 mm)
GRSBF-24-F	24-1/2" (622 mm)	24-3/4" (629 mm)	16" (406 mm)	16-1/4" (413 mm)
GRSBF-24-I	24-1/2" (622 mm)	24-3/4" (629 mm)	20" (508 mm)	20-1/4" (514 mm)
GRSBF-24-S	24-1/2" (622 mm)	24-3/4" (629 mm)	24-1/2" (622 mm)	24-3/4" (629 mm)
GRSBF-24-O	24-1/2" (622 mm)	24-3/4" (629 mm)	30-1/2" (775 mm)	30-3/4" (781 mm)
GRSBF-30-F	30-1/2" (775 mm)	30-3/4" (781 mm)	16" (406 mm)	16-1/4" (413 mm)
GRSBF-30-I	30-1/2" (775 mm)	30-3/4" (781 mm)	20" (508 mm)	20-1/4" (514 mm)
GRSBF-30-S	30-1/2" (775 mm)	30-3/4" (781 mm)	24-1/2" (622 mm)	24-3/4" (629 mm)
GRSBF-30-O	30-1/2" (775 mm)	30-3/4" (781 mm)	30-1/2" (775 mm)	30-3/4" (781 mm)
GRSBF-36-F	36-1/2" (927 mm)	36-3/4" (934 mm)	16" (406 mm)	16-1/4" (413 mm)
GRSBF-36-I	36-1/2" (927 mm)	36-3/4" (934 mm)	20" (508 mm)	20-1/4" (514 mm)
GRSBF-36-S	36-1/2" (927 mm)	36-3/4" (934 mm)	24-1/2" (622 mm)	24-3/4" (629 mm)
GRSBF-36-O	36-1/2" (927 mm)	36-3/4" (934 mm)	30-1/2" (775 mm)	30-3/4" (781 mm)
GRSBF-42-F	42-1/2" (1080 mm)	42-3/4" (1086 mm)	16" (406 mm)	16-1/4" (413 mm)
GRSBF-42-I	42-1/2" (1080 mm)	42-3/4" (1086 mm)	20" (508 mm)	20-1/4" (514 mm)
GRSBF-42-S	42-1/2" (1080 mm)	42-3/4" (1086 mm)	24-1/2" (622 mm)	24-3/4" (629 mm)
GRSBF-42-O	42-1/2" (1080 mm)	42-3/4" (1086 mm)	30-1/2" (775 mm)	30-3/4" (781 mm)
GRSBF-48-F	48-1/2" (1232 mm)	48-3/4" (1238 mm)	16" (406 mm)	16-1/4" (413 mm)
GRSBF-48-I	48-1/2" (1232 mm)	48-3/4" (1238 mm)	20" (508 mm)	20-1/4" (514 mm)
GRSBF-48-S	48-1/2" (1232 mm)	48-3/4" (1238 mm)	24-1/2" (622 mm)	24-3/4" (629 mm)
GRSBF-48-O	48-1/2" (1232 mm)	48-3/4" (1238 mm)	30-1/2" (775 mm)	30-3/4" (781 mm)
GRSBF-60-F	60-1/2" (1537 mm)	60-3/4" (1543 mm)	16" (406 mm)	16-1/4" (413 mm)
GRSBF-60-I	60-1/2" (1537 mm)	60-3/4" (1543 mm)	20" (508 mm)	20-1/4" (514 mm)
GRSBF-60-S	60-1/2" (1537 mm)	60-3/4" (1543 mm)	24-1/2" (622 mm)	24-3/4" (629 mm)
GRSBF-60-O	60-1/2" (1537 mm)	60-3/4" (1543 mm)	30-1/2" (775 mm)	30-3/4" (781 mm)
GRSBF-66-I	66-1/2" (1689 mm)	66-3/4" (1696 mm)	20" (508 mm)	20-1/4" (514 mm)
GRSBF-72-F	72-1/2" (1842 mm)	72-3/4" (1848 mm)	16" (406 mm)	16-1/4" (413 mm)
GRSBF-72-I	72-1/2" (1842 mm)	72-3/4" (1848 mm)	20" (508 mm)	20-1/4" (514 mm)
GRSBF-72-S	72-1/2" (1842 mm)	72-3/4" (1848 mm)	24-1/2" (622 mm)	24-3/4" (629 mm)
GRSBF-72-O	72-1/2" (1842 mm)	72-3/4" (1848 mm)	30-1/2" (775 mm)	30-3/4" (781 mm)

General

Use the following procedure to turn on and operate the GRS, GRSB, and GRSBF units.

⚠ WARNING

Read all safety messages in the **IMPORTANT SAFETY INFORMATION** section before operating this equipment.

1. Plug unit into a properly grounded electrical receptacle of the correct voltage, size, and plug configuration. Refer to the SPECIFICATIONS section in this manual for details.
2. Move the Power On/Off (I/O) switch to the On (I) position.

⚠ CAUTION

BURN HAZARD: Some exterior surfaces on unit will get hot. Use caution when touching these areas.

3. Turn the thermostat control to the desired temperature setting.

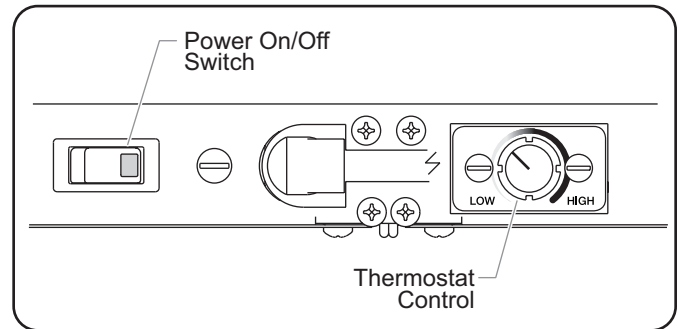
NOTE: Turning the thermostat control knob clockwise will increase the temperature setting. Turning the thermostat control knob counterclockwise will decrease the temperature setting.

4. Allow the unit 30 minutes to reach operating temperature

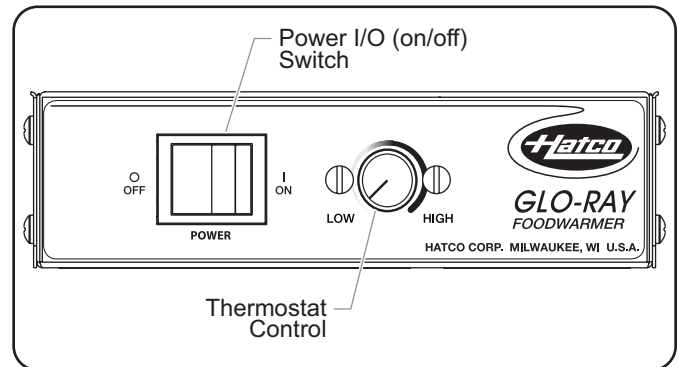
NOTICE

Do not slide pans across hardcoat surface, use rough-bottomed pans, or drop anything on hardcoat surface. Scratching may occur. Damage to hardcoat surface caused by misuse is not covered under warranty.

NOTE: Refer to the OPTIONS AND ACCESSORIES section for installation and operation information for GRSB and GRSBF units equipped with a flush-style remote mounted control enclosure.



Control Panel — GRS Model



Control Panel — GRSB and GRSBF Models

General

Hatco Glo-Ray® Heated Shelf units are designed for maximum durability and performance with minimum maintenance.



WARNING

ELECTRIC SHOCK HAZARD:

- Turn OFF power switch, unplug power cord, and allow unit to cool before performing any cleaning, adjustments, or maintenance.
- DO NOT submerge or saturate with water. Unit is not waterproof. Do not operate if unit has been submerged or saturated with water.
- This unit is not “jet-proof” construction. Do not use jet-clean spray to clean this unit.
- Do not steam clean or use excessive water on unit.
- Use only Genuine Hatco Replacement Parts when service is required. Failure to use Genuine Hatco Replacement Parts will void all warranties and may subject operators of the equipment to hazardous electrical voltage, resulting in electrical shock or burn. Genuine Hatco Replacement Parts are specified to operate safely in the environments in which they are used. Some aftermarket or generic replacement parts do not have the characteristics that will allow them to operate safely in Hatco equipment.

This unit has no “user-serviceable” parts. If service is required on this unit, contact an Authorized Hatco Service Agent or contact the Hatco Service Department at 800-558-0607 or 414-671-6350.

Daily Cleaning

To preserve the finish of the Glo-Ray Heated Shelf, it is recommended that all surfaces be cleaned daily



NOTICE

Use non-abrasive cleaners and cloths only. Abrasive cleaners and cloths could scratch the finish of the unit, marring its appearance and making it susceptible to soil accumulation.

1. Turn off the unit, unplug the power cord, and allow the unit to cool.
2. Remove and wash all food pans, if necessary.
3. Wipe down all metal surfaces with a non-abrasive, damp cloth. Stubborn stains may be removed with a good stainless steel or non-abrasive cleaner. Clean hard to reach areas using a small brush and mild soap.
4. Wipe dry all surfaces using a non-abrasive, dry cloth.

TROUBLESHOOTING GUIDE



WARNING

This unit must be serviced by qualified personnel only. Service by unqualified personnel may lead to electric shock or burn.



WARNING

ELECTRIC SHOCK HAZARD: Turn OFF power switch, unplug power cord, and allow unit to cool before performing any cleaning, adjustments, or maintenance.

Symptom	Probable Cause	Corrective Action
Unit too hot.	Thermostat control set too high.	Adjust thermostat control to a lower setting.
	Thermostat control stuck in the “on” position.	Contact Authorized Service Agent or Hatco for assistance.
	Unit plugged into an incorrect power supply.	Verify with qualified personnel that power supply matches unit specification.
Unit not hot enough.	Thermostat control set too low.	Adjust thermostat control to a higher setting.
	Location of unit is susceptible to air currents (air conditioning ducts or exhaust fans).	Block air currents or relocate unit.
Unit not working at all.	Unit not plugged in.	Plug unit into proper power supply.
	Unit not turned on.	Move Power On/Off (I/O) switch to the On (I) position.
	Power On/Off (I/O) switch is not functioning.	Contact Authorized Service Agent or Hatco for assistance.
	Heating element is burned out.	
	Thermostat control is defective.	

Troubleshooting Questions?

If you continue to have problems resolving an issue, please contact the nearest Authorized Hatco Service Agency or Hatco for assistance. To locate the nearest Service Agency, log onto the Hatco website at www.hatcocorp.com, select the *Support* pull-down menu, and click on "Find A Service Agent"; or contact the **Hatco Parts and Service Team** at:

Telephone: 800-558-0607 or 414-671-6350

e-mail: support@hatcocorp.com

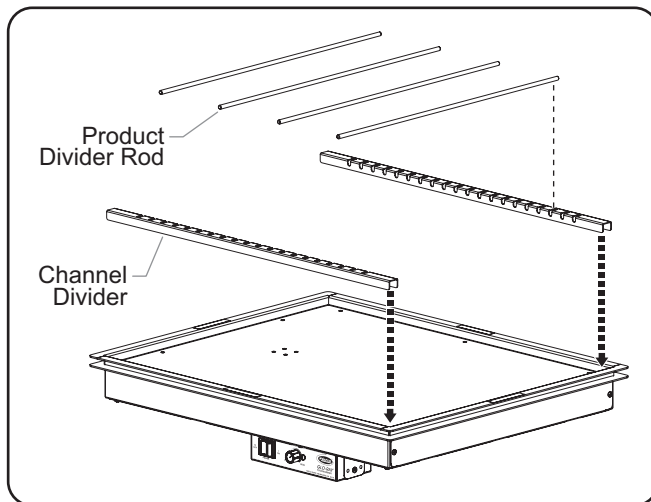
OPTIONS AND ACCESSORIES

Divider Rods (GRSB Models Only)

Divider rods are available as an accessory for GRSB models.

To install the channel dividers and product divider rods:

1. Position the channel dividers on the front edge and back edge of the unit.
2. Place the product divider rods into the channel dividers. The rods can be adjusted easily to separate holding areas as needed.



Divider Rod Installation

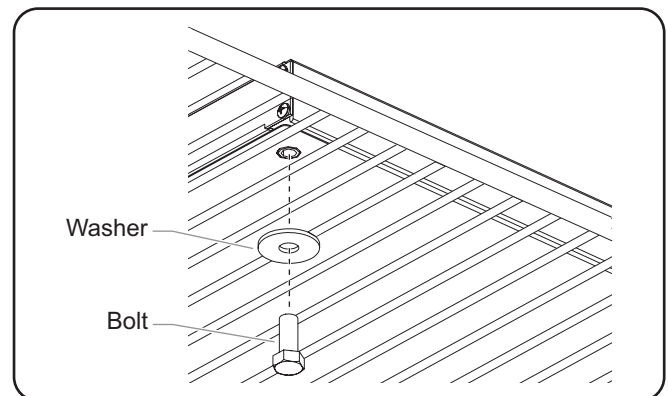
Wire Rack Mounting Kit

GRS units can be installed on a wire shelf. Use the following procedure to install a unit to a wire shelf using the wire rack mounting kit accessory.

CAUTION

Locate unit at proper counter height in an area that is convenient for use. The location should be level to prevent unit or its contents from falling accidentally and strong enough to support the weight of unit and contents.

1. Remove the feet from the bottom of the unit.
2. Place unit on a wire shelf.
3. Secure the unit to the wire shelf using the supplied bolts and washers.



Wire Rack Mounting Kit Installation

Remote Mounted Control Enclosures (GRSB and GRSBF models)

Two flush-style remote mounted control enclosures are available for the GRSB and GRSBF units — the mechanical Thermostat Control enclosure and the digital Indicating Temperature Control (ITC) enclosure. Both control enclosures are installed using the following procedure.



ELECTRIC SHOCK HAZARD: Remote control enclosure must be mounted on vertical wall and installed in vertical position. Mounting remote control enclosure in horizontal position may result in collection of liquids and lead to electric shock.



Do not install remote mounted control enclosure within direct exposure to heat. Exposing the control enclosure to direct heat will cause the control(s) to overheat, malfunction, and fail.

Do not modify wiring or cut thermostat capillary on control enclosure to increase semi-remote mounting distance. Cutting thermostat capillary will cause unit to overheat and may damage unit as well as surrounding countertop.

NOTE: A qualified electrician is recommended for connecting the units to a power source.

1. Prepare cutout and pre-drill screw holes (see illustration below for dimensions).
2. Remove trim cover from control enclosure.
3. Position control enclosure into opening through the backside.
4. Secure control enclosure to surface using screws (not supplied).
5. Connect proper power source to the mounted remote control enclosure.
6. Reinstall the trim cover. Seal the trim cover to the mounting surface with silicone adhesive.

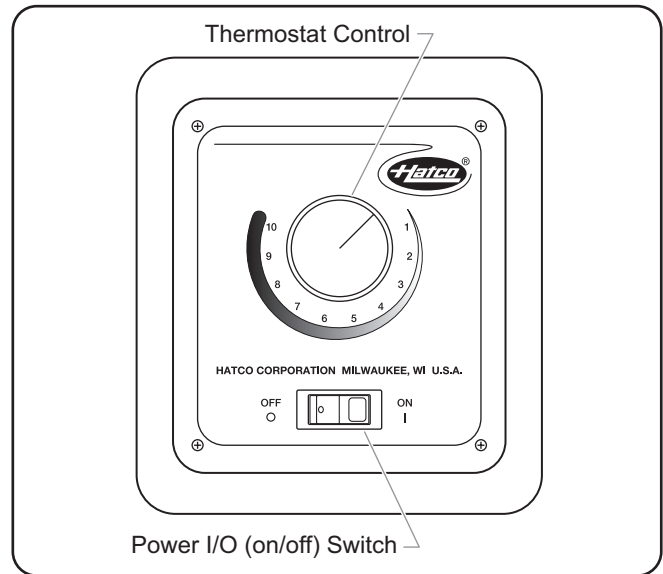
NOTE: Units are equipped with a 36" (914 mm) flexible conduit connecting the control enclosure to the unit. Optional conduit lengths of 6' (1829 mm) and 10' (3048 mm) are also available for digital temperature controller only.

Power I/O (on/off) Switch

Both flush-style remote mounted control enclosures are equipped with a Power I/O (on/off) switch. Move the Power I/O (on/off) switch to the I (on) position to turn on the unit. The indicator light in the switch glows when the unit is on.

Changing the Setpoint Temperature — Mechanical Temperature Control

Turn the temperature control clockwise to increase the setpoint temperature. Turn the temperature control counterclockwise to decrease the setpoint temperature.



Mechanical Temperature Control

Front View of Cutout

IMPORTANT NOTE:
Make sure the installation location provides enough room for electrical connections to the control enclosure.

Side View of Installed Enclosure

Remote Mounted Control Enclosure Installation Dimensions

Changing the Setpoint Temperature — Digital Temperature Controller

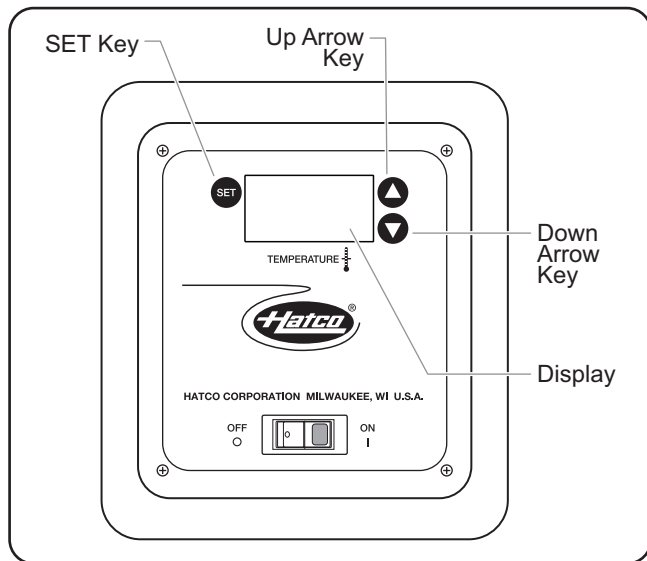
Units equipped with a digital temperature controller will heat up to the setpoint temperature automatically when they are turned on. Use the following procedure to change the setpoint temperature.

NOTE: The temperature shown on the display may be inaccurate when unit temperature is below 130°F (54°C).

If the programming sequence is interrupted before completing the last step, the changed values will not be accepted into memory.

1. Press the **SET** key three times. The current setpoint temperature will be shown on the TEMPERATURE display ("SP" will be displayed after the second press).
2. Press the **▲** key or **▼** key within 10 seconds to change the setpoint temperature.
3. Press the **SET** key to lock in the new setpoint temperature. The TEMPERATURE display will go blank for two seconds to show that the new setting has been accepted.

NOTE: After 10 seconds of inactivity during the programming process, the controller will exit programming mode automatically without saving any changes.



Digital Temperature Controller

Changing Fahrenheit and Celsius Setting — Digital Temperature Controller

Use the following procedure to change between Fahrenheit and Celsius on the display.

1. Press the **SET** key once. Either an "F" for Fahrenheit or "C" for Celsius will be displayed.
2. Press the **▲** key or **▼** key within 10 seconds to change between "F" (Fahrenheit) and "C" (Celsius).
3. Press the **SET** key three times to lock in the new setting. The TEMPERATURE display will go blank for two seconds to show that the new setting has been accepted.

NOTE: After 10 seconds of inactivity during the programming process, the controller will exit programming mode automatically without saving any changes.

4" (102 mm) Adjustable Legs (GRS Models)

Use the following procedure to install 4" adjustable legs on a GRS model.

NOTE: 4" (102 mm) legs are standard on models 36" (914 mm) and wider.

CAUTION

The National Sanitation Foundation (NSF) requires that units over 36" (914 mm) in width or weighing more than 80 lbs. (36 kg) either be sealed to or raised above installation surface. If unit cannot be sealed at the point of use, 4" (102 mm) legs are included to allow for proper cleaning access below unit.

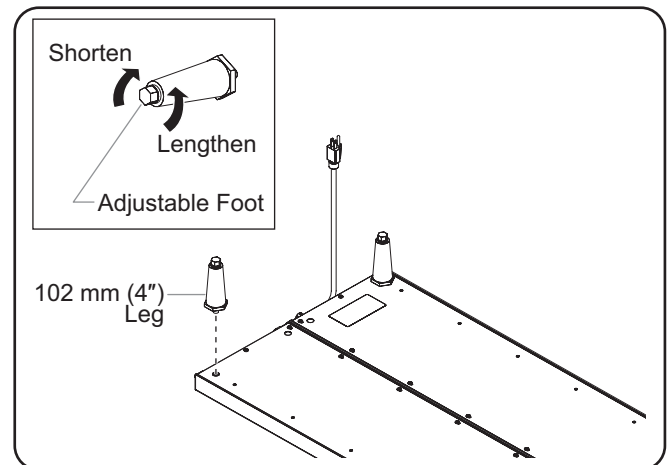
1. Turn off the unit, unplug the power cord, and allow the unit to cool.

NOTICE

Do not lay unit on the side with the control panel. Damage to unit could occur.

2. Carefully turn the unit upside down and lay the unit on a flat surface. Make sure to cover the surface with something to prevent scratching the unit.
3. At each corner, thread a 4" leg into the bottom of the unit. Hand-tighten until snug. Do not over-tighten.
4. Return the unit to the upright position.

NOTE: The feet on the 4" legs are adjustable for leveling the unit. Use a 9/16" (14 mm) open-end wrench to make leveling adjustments once the unit is placed in its final position.



Leg Installation

Rubber Feet (GRS Models)

Rubber feet are available as accessories and are 3/8" (10 mm) in height. Rubber feet allow the shelf to be closer to the countertop.

Recessed Thermostat

A recessed thermostat is available as a factory installed option. A recessed thermostat uses a plug to restrict adjustment of the thermostat.

1. PRODUCT WARRANTY

Hatco warrants the products that it manufactures (the "Products") to be free from defects in materials and workmanship, under normal use and service, for a period of one (1) year from the date of purchase when installed and maintained in accordance with Hatco's written instructions or 18 months from the date of shipment from Hatco. Buyer must establish the Product's purchase date by registering the Product with Hatco or by other means satisfactory to Hatco in its sole discretion.

Hatco warrants the following Product components to be free from defects in materials and workmanship from the date of purchase (subject to the foregoing conditions) for the period(s) of time and on the conditions listed below:

a) One (1) Year Parts and Labor PLUS One (1) Additional Year Parts-Only Warranty:

- Conveyor Toaster Elements (metal sheathed)
- Drawer Warmer Elements (metal sheathed)
- Drawer Warmer Drawer Rollers and Slides
- Strip Heater Elements (metal sheathed)
- Display Warmer Elements (metal sheathed air heating)
- Holding Cabinet Elements (metal sheathed air heating)
- Heated Well Elements — HW and HWB Series (metal sheathed)

b) Two (2) Year Parts and Labor Warranty:

- Induction Ranges
- Induction Warmers

c) One (1) Year Parts and Labor PLUS Four (4) Years Parts-Only Warranty:

- 3CS and FR Tanks

d) One (1) Year Parts and Labor PLUS Nine (9) Years Parts-Only Warranty on:

- Electric Booster Heater Tanks
- Gas Booster Heater Tanks

e) Ninety (90) Day Parts-Only Warranty:

- Replacement Parts

THE FOREGOING WARRANTIES ARE EXCLUSIVE AND IN LIEU OF ANY OTHER WARRANTY, EXPRESSED OR IMPLIED, INCLUDING BUT NOT LIMITED TO ANY IMPLIED WARRANTY OF MERCHANTABILITY OR FITNESS FOR A PARTICULAR PURPOSE OR PATENT OR OTHER INTELLECTUAL PROPERTY RIGHT INFRINGEMENT. Without limiting the generality of the foregoing, SUCH WARRANTIES DO NOT COVER: Coated incandescent light bulbs, fluorescent lights, heat lamp bulbs, coated halogen light bulbs, halogen heat lamp bulbs, xenon light bulbs, LED light tubes, glass components, and fuses; Product failure in booster tank, fin tube heat exchanger, or other water heating equipment caused by liming, sediment buildup, chemical attack, or freezing; or Product misuse, tampering or misapplication, improper installation, or application of improper voltage.

2. LIMITATION OF REMEDIES AND DAMAGES

Hatco's liability and Buyer's exclusive remedy hereunder will be limited solely, at Hatco's option, to repair or replacement using new or refurbished parts or Product by Hatco or a Hatco-authorized service agency (other than where Buyer is located outside of the United States, Canada, United Kingdom, or Australia, in which case Hatco's liability and Buyer's exclusive remedy hereunder will be limited solely to replacement of part under warranty) with respect to any claim made within the applicable warranty period referred to above. Hatco reserves the right to accept or reject any such claim in whole or in part. In the context of this Limited Warranty, "refurbished" means a part or Product that has been returned to its original specifications by Hatco or a Hatco-authorized service agency. Hatco will not accept the return of any Product without prior written approval from Hatco, and all such approved returns shall be made at Buyer's sole expense. HATCO WILL NOT BE LIABLE, UNDER ANY CIRCUMSTANCES, FOR CONSEQUENTIAL OR INCIDENTAL DAMAGES, INCLUDING BUT NOT LIMITED TO LABOR COSTS OR LOST PROFITS RESULTING FROM THE USE OF OR INABILITY TO USE THE PRODUCTS OR FROM THE PRODUCTS BEING INCORPORATED IN OR BECOMING A COMPONENT OF ANY OTHER PRODUCT OR GOODS.

Informations Importantes pour le Propriétaire	23	Installation.....	35
Introduction.....	23	Généralités	35
Consignes de Sécurité Importantes.....	24	Modèles GRS	35
Désignation du Modèle	25	Modèles GRSB et GRSBF	36
Description du Modèle.....	26	Mode d'emploi	39
Caractéristiques Techniques	27	Généralités	39
Configuration des Fiches.....	27	Maintenance.....	39
Dimensions — Modèles GRS.....	27	Nettoyage quotidien.....	39
Dimensions — Modèles GRSB	28	Guide de Dépannage.....	40
Dimensions — Modèles GRSBF.....	29	Options et accessoires	40
Tableau des valeurs nominales électriques — GRS.....	30	Garantie Limitée	43
Tableau des valeurs nominales électriques — GRSB	33	Distributeurs de pièces autorisés.....	Couverture Arrière
Tableau des valeurs nominales électriques — GRSBF	34		

INFORMATIONS IMPORTANTES POUR LE PROPRIÉTAIRE

Notez le numéro de modèle, le numéro de série, la tension et la date d'achat de l'appareil dans les espaces ci-dessous (étiquette des caractéristiques située en bas des modèles GRS ou en bas du boîtier de contrôle des modèles GRSB et GRSBF). Veuillez avoir cette information à portée de la main si vous appelez Hatco pour assistance.

Modèle No. _____

Numéro de série _____

Voltage _____

Date d'achat _____

Enregistrez votre appareil!

- Remplissez la garantie en ligne pour éviter les retards pour faire jouer la garantie. Accédez au site Web Hatco www.hatcocorp.com, sélectionnez le menu déroulant *Support (Assistance)*, puis cliquez sur « Warranty » (Garantie).

Horaires

ouvrables : 7h00 à 17h00 du lundi au vendredi
Heure du Centre (CT)
(Horaires d'été : juin à septembre—
7h00 à 17h00 du lundi au jeudi
7h00 à 16h00 le vendredi)

Téléphone: 800-558-0607; 414-671-6350

Courriel: support@hatcocorp.com



Service d'assistance et de pièces de rechange disponible 7j/7, 24h/24 aux États-Unis et au Canada en composant le 800-558-0607.

Des renseignements supplémentaires sont disponibles sur notre site Web à www.hatcocorp.com.

INTRODUCTION

Les rayonnages chauffants Glo-Ray® Hatco sont conçus pour garder les aliments préparés chauds dans une cuisine, une station de serveur ou un point de service de clients. Le rayonnement chauffant Glo-Ray garde l'ensemble des aliments à une température de service optimale sans en affecter la qualité. Ce dispositif de réchauffage possède une base chauffante contrôlée par un thermostat en vue d'augmenter les périodes d'attente pour la plupart des aliments.

Les rayonnages chauffants Glo-Ray sont le produit de recherches et de tests sur le terrain intensifs. Les matériaux utilisés ont été sélectionnés pour une durabilité maximale, une apparence attractive et des performances optimales. Chaque appareil est soigneusement inspecté et testé avant expédition.

Ce manuel fournit des instructions pour l'entretien, l'utilisation et le fonctionnement des réchauffeurs de bande de Glo-Ray. Hatco vous recommande de lire l'ensemble des instructions d'installation, de sécurité et de fonctionnement contenues dans ce manuel avant d'installer et d'utiliser l'appareil.

Les consignes de sécurité qui apparaissent dans ce manuel sont identifiées par les mots indicateurs suivants :

AVERTISSEMENT

AVERTISSEMENT indique une situation dangereuse qui, si elle n'est pas évitée, peut provoquer la mort ou des blessures graves.

ATTENTION

ATTENTION indique une situation dangereuse qui, si elle n'est pas évitée, peut provoquer des blessures légères ou moyennes.

AVIS

AVIS est utilisé pour des questions sans rapport avec des blessures corporelles.



Lisez l'information de sécurité importante suivante avant d'utiliser cet équipement pour éviter des dommages ou la mort sérieux et pour éviter d'endommager l'équipement ou la propriété.

⚠ AVERTISSEMENT

DANGER DE DÉCHARGE ÉLECTRIQUE :

- Branchez l'unité à une prise correctement reliée à la terre et possédant le voltage, la dimension et la configuration adéquats. Si la fiche et la prise ne correspondent pas, contactez un électricien qualifié afin de déterminer et d'installer une prise électrique possédant la taille et la tension adéquate.
- Mettez l'unité hors tension depuis l'interrupteur, débranchez le cordon d'alimentation et laissez l'unité refroidir avant d'effectuer tout nettoyage, tout réglage ou tout entretien.
- NE PAS immerger l'appareil ni le saturer d'eau. L'appareil n'est pas étanche à l'eau. Ne pas le faire fonctionner s'il a été immergé ou saturé d'eau.
- L'appareil n'est pas à l'épreuve des intempéries. Placer l'appareil à l'intérieur à une température ambiante de 21°C minimum.
- Ne tirez pas l'unité par le cordon d'alimentation.
- Interrompez l'utilisation de l'unité si le cordon d'alimentation est effiloché ou usé.
- N'essayez jamais de réparer ou de remplacer un cordon d'alimentation. Celui-ci devra être remplacé par Hatco, un agent de service agréé par Hatco ou une personne possédant des qualifications similaires.
- Ne pas nettoyer à la vapeur ni utiliser trop d'eau sur l'appareil.
- Cet appareil n'est pas étanche aux jets. Ne pas utiliser de jet sous pression pour nettoyer l'appareil.
- Ne pas nettoyer l'appareil lorsqu'il est sous tension.
- Cet appareil doit uniquement être réparé par un personnel qualifié. Toute réparation par un personnel non qualifié peut entraîner une électrocution et des brûlures.
- Le boîtier de contrôle à distance doit être installé en position verticale sur un mur vertical. Si le boîtier de contrôle à distance est installé en position horizontale, du liquide risque de s'accumuler à l'intérieur et provoquer une décharge électrique.
- Pour les réparations, utiliser exclusivement des pièces de rechange Hatco d'origine. Utilisez des pièces détachées Hatco authentiques sous peine d'annuler toutes les garanties et d'exposer l'utilisateur à des tensions électriques dangereuses pouvant entraîner une électrocution ou des brûlures. Les pièces de rechange Hatco d'origine sont conçues pour fonctionner sans danger dans les environnements dans lesquels elles sont utilisées. Certaines pièces de rechange génériques ou de second marché ne présentent pas les caractéristiques leur permettant de fonctionner sans danger dans la matériel Hatco.

DANGEREUX D'INCENDIE: Placez l'unité à au moins 25 mm (1") des murs combustibles et des produits. Si les distances de sécurité ne sont pas respectées, une décoloration ou combustion peut avoir lieu.

Cet appareil ne doit pas être utilisé par des enfants ou des personnes avec des capacités physiques, sensorielles ou mentales diminuées. Assurez-vous que les enfants sont bien surveillés et tenez-les à l'écart de l'appareil.

⚠ AVERTISSEMENT

S'assurer que le produit alimentaire a été chauffé à une température adaptée au maintien de sa salubrité avant de le mettre dans l'appareil sous peine de risques graves pour la santé. Cet appareil est destiné au maintien au chaud de produits alimentaires préchauffés uniquement.

Assurez-vous que tous les opérateurs ont été formés à l'utilisation sûre et correcte de l'appareil.

Cet appareil ne contient aucune pièce réparable par l'utilisateur. Si cet appareil doit être réparé, contacter un réparateur Hatco agréé ou le Service après-vente Hatco au +1 800-558-0607 ou +1 414-671-6350.

⚠ ATTENTION

DANGER DE BRÛLURE: Certaines surfaces extérieures de l'appareil deviennent chaudes. Toucher ces zones de l'appareil avec précaution.

Placez l'unité à une hauteur adaptée au comptoir, à un emplacement pratique à utiliser. L'emplacement doit être plan pour éviter que l'unité ou son contenu ne tombe accidentellement, et suffisamment solide pour supporter le poids de l'unité et de son contenu.

Ne faites pas fonctionner les modèles intégrés si le boîtier de contrôle n'est pas installé conformément aux instructions d'installation.

Ne faites pas fonctionner l'appareil sans avoir installé les pieds fournis.

La National Sanitation Foundation (NSF) exige que les appareils mesurant plus de 914 mm (36") de largeur et pesant plus de 36 kg (80 lbs.) soient hermétiquement fixés ou rehaussés sur la surface d'installation. Si l'unité ne peut pas être fixée à l'endroit d'utilisation, des pieds de 102 mm (4") sont fournis pour permettre le nettoyage du dessous de l'unité.

AVIS

L'appareil est conçu et recommandé pour une utilisation sur ou dans des comptoirs métalliques. Les dommages subis par le matériau de comptoir ne sont pas couverts par la garantie Hatco. Pour d'autres surfaces, assurez-vous que le matériau est adapté à des températures pouvant atteindre 93°C (200°F).

Ne modifiez pas le câblage et ne coupez pas le câble capillaire du thermostat du boîtier de contrôle pour augmenter la distance d'installation de la commande à distance. Si vous coupez le câble capillaire du thermostat, cela risque de provoquer une surchauffe et des dommages à l'appareil ainsi qu'au comptoir.

N'exercez pas une force excessive lors du serrage des vis de montage des appareils intégrés. Cela risquerait d'endommager l'appareil et/ou le comptoir.

Ne couchez pas l'unité sur le côté comportant le panneau de commande. L'unité pourrait être endommagée.

AVIS

Utiliser uniquement des produits nettoyants non abrasifs. Les produits nettoyants abrasifs peuvent rayer la finition de l'appareil, ce qui altère son apparence et le rend plus susceptible d'accumuler la saleté.

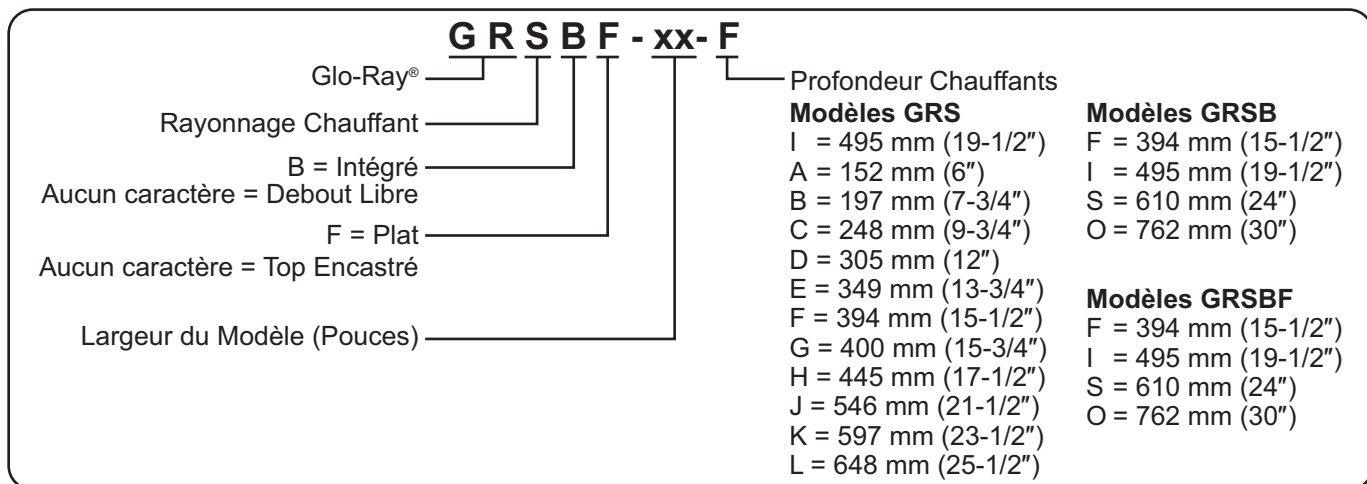
Installez le boîtier de contrôle distant hors de la zone chauffée. Si vous placez le boîtier de contrôle dans la zone chauffée, cela pourrait provoquer des surchauffes, des dysfonctionnements ou des défaillances des commandes.

AVIS

Ne faites pas glisser de casseroles sur les surfaces à revêtement dur, n'utilisez pas de casseroles avec revêtement à fond dur et ne laissez rien tomber sur les surfaces à couche dure. Cela pourrait rayer votre équipement. Les dommages causés sur les surfaces à revêtement dur dus à une mauvaise utilisation ne sont pas couverts par la garantie.

Ne placez pas l'appareil dans un endroit où la circulation de l'air est trop forte. évitez les zones pouvant être soumises à des mouvements d'air ou à des courants d'air actifs (comme à proximité de ventilateurs d'échappement/de hottes d'aspiration, de conduites de climatisation et de portes extérieures).

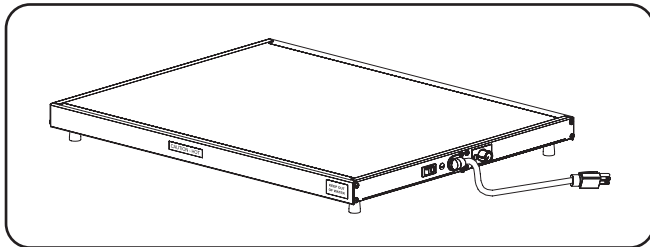
DÉSIGNATION DU MODÈLE



Modèles GRS

Le rayonnage chauffant GRS est idéal pour les régions de transit, les lignes de buffets ou comme étagère de travail chauffante. Il possède un interrupteur marche-arrêt avec témoin, un thermostat ajustable, et un cordon d'alimentation de 1829 mm (6'). Des éléments chauffants distribuent la chaleur sous l'intégralité de la surface en acier inoxydable ou de la surface en aluminium.

L'ensemble des modèles GRS sont expédiés totalement assemblés et prêts à l'emploi.



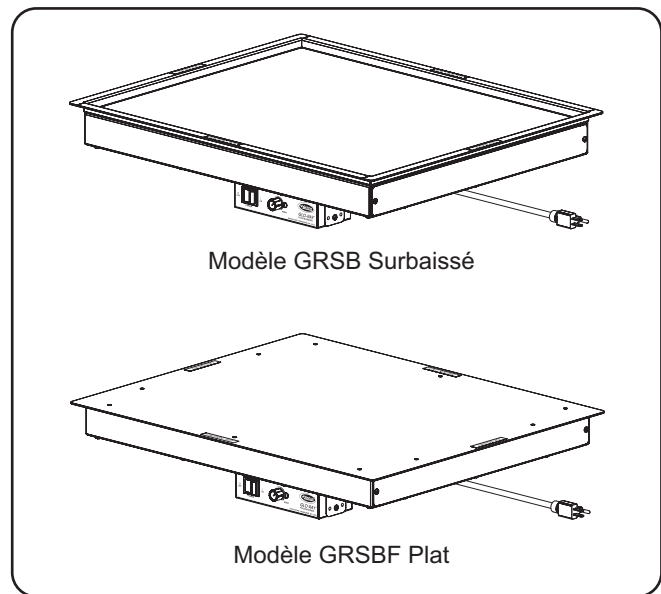
Modèles GRS

Modèles GRSB et GRSBF

Les rayonnages chauffants GRSB et GRSBF possèdent une surface en aluminium et un élément chauffant intégral pour une distribution uniforme de la chaleur. Idéal pour un passe plat, buffet ou lignes de cafétéria et autres régions self-service. Le modèle GRSB possède une surface surbaissée. Le modèle GRSBF possède une surface plate.

Un conduit flexible de 914 mm (3') contient les fils entre l'appareil et le boîtier de contrôle. Le boîtier de contrôle possède un thermostat ayant une étendue de 27° à 93°C (80° à 200°F), un interrupteur marche-arrêt avec témoin et des attaches de montage. Le boîtier de contrôle peut être installé jusqu'à 914 mm (3') de l'appareil. Un cordon de 1 829 mm (6') avec fiche est attaché au boîtier de commande.

Le rebord de 19 mm (3/4") présent permet d'encaster l'appareil sur un comptoir. Le rayonnage est facile à nettoyer avec un chiffon doux humide ou un nettoyant non-abrasif. L'ensemble des modèles GRSB et GRSBF sont expédiés totalement assemblés et prêts à l'emploi.



Modèle GRSB Surbaissé

Modèle GRSBF Plat

Modèles GRSB et GRSBF

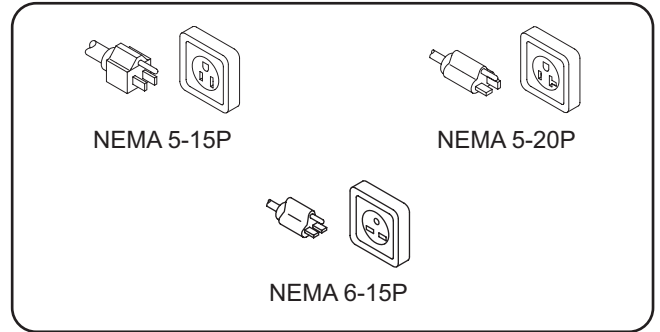
Configuration des fiches

Un cordon de 1 826 mm (6') et une fiche d'alimentation peuvent être installés en usine, en option, pour certaines unités.

AVERTISSEMENT

DANGER DE DÉCHARGE ÉLECTRIQUE: Brancher l'appareil sur une prise de courant avec terre de tension, de format et de configuration des broches corrects. Si la fiche et la prise ne se correspondent pas, s'adresser à un électricien qualifié pour déterminer et installer une prise de courant de format et de tension corrects.

NOTA: L'étiquette des caractéristiques se situe en bas sur les modèles GRS et en bas du boîtier de contrôle sur les modèles GRSE et GRSEF. Consultez l'étiquette pour connaître le numéro de série et les éléments de vérification de l'appareil électrique.



Configuration des fiches

NOTA: Prise non fournie par Hatco.

Dimensions — Modèles GRS

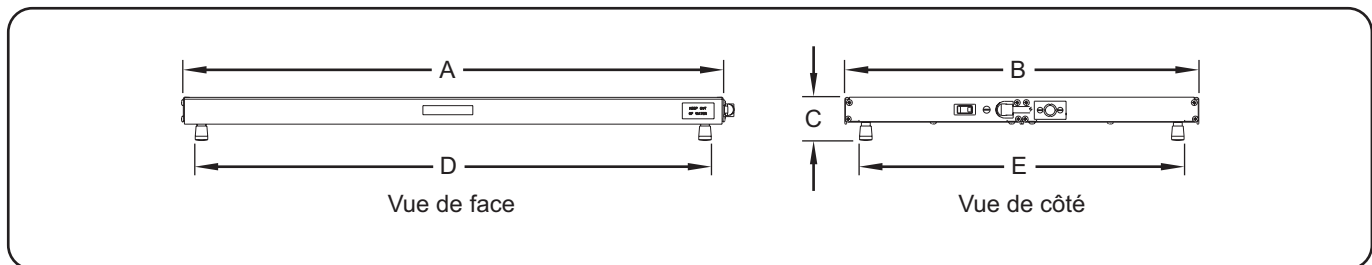
Modèle	Largeur (A)	Profondeur (B)	Hauteur (C)	Empattement Largeur (D)	Empattement Profondeur (E)
GRS-18-I	457 mm (18")	495 mm (19-1/2")	57 mm (2-1/4") †	425 mm (16-3/4")	457 mm (18")
GRS-24-I	610 mm (24")	495 mm (19-1/2")	57 mm (2-1/4") †	578 mm (16-3/4")	457 mm (18")
GRS-30-I	762 mm (30")	495 mm (19-1/2")	57 mm (2-1/4") †	730 mm (16-3/4")	457 mm (18")
GRS-36-I	914 mm (36")	495 mm (19-1/2")	57 mm (2-1/4") †	883 mm (16-3/4")	457 mm (18")
GRS-42-I	1067 mm (42")	495 mm (19-1/2")	133 mm (5-1/4") *	1035 mm (16-3/4")	457 mm (18")
GRS-48-I	1219 mm (48")	495 mm (19-1/2")	133 mm (5-1/4") *	1187 mm (16-3/4")	457 mm (18")
GRS-54-I	1372 mm (54")	495 mm (19-1/2")	133 mm (5-1/4") *	1340 mm (16-3/4")	457 mm (18")
GRS-60-I	1524 mm (60")	495 mm (19-1/2")	133 mm (5-1/4") *	1492 mm (16-3/4")	457 mm (18")
GRS-66-I	1676 mm (66")	495 mm (19-1/2")	133 mm (5-1/4") *	1645 mm (16-3/4")	457 mm (18")
GRS-72-I	1829 mm (72")	495 mm (19-1/2")	133 mm (5-1/4") *	1797 mm (16-3/4")	457 mm (18")

† La hauteur comprend les pieds de 25 mm (1")

* La hauteur comprend les pieds de 102 mm (4")

NOTA: Tous les modèles mentionnés ci-dessus ont une profondeur standard de 495 mm (19-1/2"). Les autres profondeurs disponibles sont :

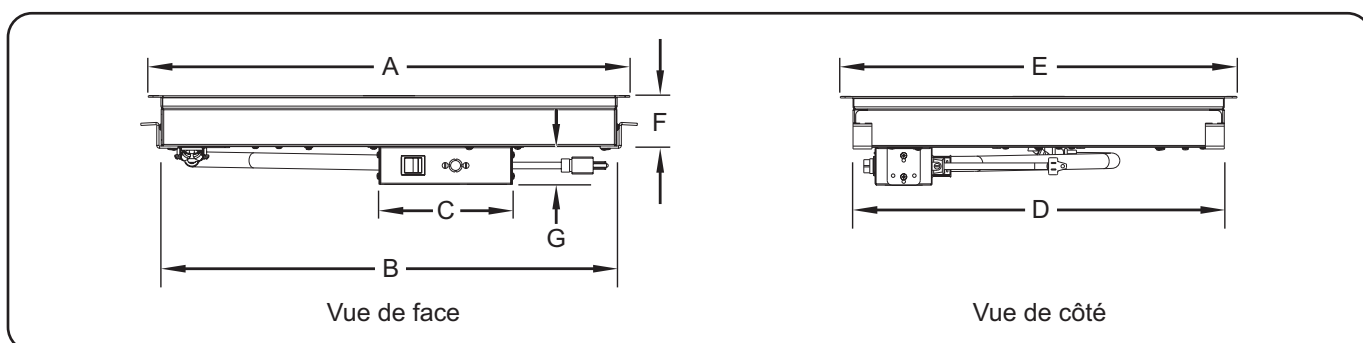
- A = 152 mm (6") B = 197 mm (7-3/4") C = 248 mm (9-3/4") D = 305 mm (12")
- E = 349 mm (13-3/4") F = 394 mm (15-1/2") G = 400 mm (15-3/4") H = 445 mm (17-1/2")
- J = 546 mm (21-1/2") K = 597 mm (23-1/2") L = 648 mm (25-1/2")



Dimensions — Modèles GRS

Dimensions — Modèles GRSB

Modèle	Largeur Totale (A)	Largeur Chauffée (B)	Largeur du Boîtier de Contrôle (C)	Profondeur Chauffée (D)	Profondeur Totale (E)	Hauteur (F)	Hauteur du Boîtier de Contrôle (G)
GRSB-24-F	648 mm (25-1/2")	610 mm (24")	184 mm (7-1/4")	394 mm (15-1/2")	432 mm (17")	73 mm (2-7/8")	54 mm (2-1/8")
GRSB-24-I	648 mm (25-1/2")	610 mm (24")	184 mm (7-1/4")	495 mm (19-1/2")	533 mm (21")	73 mm (2-7/8")	54 mm (2-1/8")
GRSB-24-O	648 mm (25-1/2")	610 mm (24")	184 mm (7-1/4")	762 mm (30")	800 mm (31-1/2")	73 mm (2-7/8")	54 mm (2-1/8")
GRSB-30-F	800 mm (31-1/2")	762 mm (30")	184 mm (7-1/4")	394 mm (15-1/2")	432 mm (17")	73 mm (2-7/8")	54 mm (2-1/8")
GRSB-30-I	800 mm (31-1/2")	762 mm (30")	184 mm (7-1/4")	495 mm (19-1/2")	533 mm (21")	73 mm (2-7/8")	54 mm (2-1/8")
GRSB-30-O	800 mm (31-1/2")	762 mm (30")	184 mm (7-1/4")	762 mm (30")	800 mm (31-1/2")	73 mm (2-7/8")	54 mm (2-1/8")
GRSB-36-F	953 mm (37-1/2")	914 mm (36")	184 mm (7-1/4")	394 mm (15-1/2")	432 mm (17")	73 mm (2-7/8")	54 mm (2-1/8")
GRSB-36-I	953 mm (37-1/2")	914 mm (36")	184 mm (7-1/4")	495 mm (19-1/2")	533 mm (21")	73 mm (2-7/8")	54 mm (2-1/8")
GRSB-36-O	953 mm (37-1/2")	914 mm (36")	184 mm (7-1/4")	762 mm (30")	800 mm (31-1/2")	73 mm (2-7/8")	54 mm (2-1/8")
GRSB-42-F	1105 mm (43-1/2")	1067 mm (42")	184 mm (7-1/4")	394 mm (15-1/2")	432 mm (17")	73 mm (2-7/8")	54 mm (2-1/8")
GRSB-42-I	1105 mm (43-1/2")	1067 mm (42")	184 mm (7-1/4")	495 mm (19-1/2")	533 mm (21")	73 mm (2-7/8")	54 mm (2-1/8")
GRSB-42-O	1105 mm (43-1/2")	1067 mm (42")	184 mm (7-1/4")	762 mm (30")	800 mm (31-1/2")	73 mm (2-7/8")	54 mm (2-1/8")
GRSB-48-F	1257 mm (49-1/2")	1219 mm (48")	184 mm (7-1/4")	394 mm (15-1/2")	432 mm (17")	73 mm (2-7/8")	54 mm (2-1/8")
GRSB-48-I	1257 mm (49-1/2")	1219 mm (48")	184 mm (7-1/4")	495 mm (19-1/2")	533 mm (21")	73 mm (2-7/8")	54 mm (2-1/8")
GRSB-48-O	1257 mm (49-1/2")	1219 mm (48")	184 mm (7-1/4")	762 mm (30")	800 mm (31-1/2")	73 mm (2-7/8")	54 mm (2-1/8")
GRSB-54-I	1410 mm (55-1/2")	1372 mm (54")	184 mm (7-1/4")	495 mm (19-1/2")	533 mm (21")	73 mm (2-7/8")	54 mm (2-1/8")
GRSB-60-F	1562 mm (61-1/2")	1524 mm (60")	184 mm (7-1/4")	394 mm (15-1/2")	432 mm (17")	73 mm (2-7/8")	54 mm (2-1/8")
GRSB-60-I	1562 mm (61-1/2")	1524 mm (60")	184 mm (7-1/4")	495 mm (19-1/2")	533 mm (21")	73 mm (2-7/8")	54 mm (2-1/8")
GRSB-60-O	1562 mm (61-1/2")	1524 mm (60")	184 mm (7-1/4")	762 mm (30")	800 mm (31-1/2")	73 mm (2-7/8")	54 mm (2-1/8")
GRSB-66-F	1715 mm (67-1/2")	1676 mm (66")	184 mm (7-1/4")	394 mm (15-1/2")	432 mm (17")	73 mm (2-7/8")	54 mm (2-1/8")
GRSB-66-I	1715 mm (67-1/2")	1676 mm (66")	184 mm (7-1/4")	495 mm (19-1/2")	533 mm (21")	73 mm (2-7/8")	54 mm (2-1/8")
GRSB-72-F	1867 mm (73-1/2")	1829 mm (72")	184 mm (7-1/4")	394 mm (15-1/2")	432 mm (17")	73 mm (2-7/8")	54 mm (2-1/8")
GRSB-72-I	1867 mm (73-1/2")	1829 mm (72")	184 mm (7-1/4")	495 mm (19-1/2")	533 mm (21")	73 mm (2-7/8")	54 mm (2-1/8")
GRSB-72-O	1867 mm (73-1/2")	1829 mm (72")	184 mm (7-1/4")	762 mm (30")	800 mm (31-1/2")	73 mm (2-7/8")	54 mm (2-1/8")



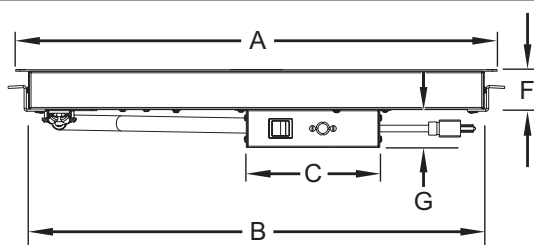
Dimensions — Modèles GRSB

AVIS

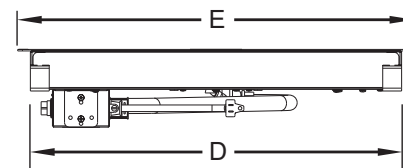
Se référer à la section d'installation de ce manuel pour les véritables dimensions de découpage de plan de travail.

Dimensions — Modèles GRSBF

Modèle	Largeur Totale (A)	Largeur Chauffée (B)	Largeur du Boîtier de Contrôle (C)	Profondeur Chauffée (D)	Profondeur Totale (E)	Hauteur (F)	Hauteur du Boîtier de Contrôle (G)
GRSBF-18-F	495 mm (19-1/2")	460 mm (18")	184 mm (7-1/4")	394 mm (15-1/2")	432 mm (17")	57 mm (2-1/4")	54 mm (2-1/8")
GRSBF-24-F	648 mm (25-1/2")	610 mm (24")	184 mm (7-1/4")	394 mm (15-1/2")	432 mm (17")	57 mm (2-1/4")	54 mm (2-1/8")
GRSBF-24-I	648 mm (25-1/2")	610 mm (24")	184 mm (7-1/4")	495 mm (19-1/2")	533 mm (21")	57 mm (2-1/4")	54 mm (2-1/8")
GRSBF-24-S	648 mm (25-1/2")	610 mm (24")	184 mm (7-1/4")	460 mm (24")	648 mm (25-1/2")	57 mm (2-1/4")	54 mm (2-1/8")
GRSBF-24-O	648 mm (25-1/2")	610 mm (24")	184 mm (7-1/4")	762 mm (30")	800 mm (31-1/2")	57 mm (2-1/4")	54 mm (2-1/8")
GRSBF-30-F	800 mm (31-1/2")	762 mm (30")	184 mm (7-1/4")	394 mm (15-1/2")	432 mm (17")	57 mm (2-1/4")	54 mm (2-1/8")
GRSBF-30-I	800 mm (31-1/2")	762 mm (30")	184 mm (7-1/4")	495 mm (19-1/2")	533 mm (21")	57 mm (2-1/4")	54 mm (2-1/8")
GRSBF-30-S	800 mm (31-1/2")	762 mm (30")	184 mm (7-1/4")	460 mm (24")	648 mm (25-1/2")	57 mm (2-1/4")	54 mm (2-1/8")
GRSBF-30-O	800 mm (31-1/2")	762 mm (30")	184 mm (7-1/4")	762 mm (30")	800 mm (31-1/2")	57 mm (2-1/4")	54 mm (2-1/8")
GRSBF-36-F	953 mm (37-1/2")	914 mm (36")	184 mm (7-1/4")	394 mm (15-1/2")	432 mm (17")	57 mm (2-1/4")	54 mm (2-1/8")
GRSBF-36-I	953 mm (37-1/2")	914 mm (36")	184 mm (7-1/4")	495 mm (19-1/2")	533 mm (21")	57 mm (2-1/4")	54 mm (2-1/8")
GRSBF-36-S	953 mm (37-1/2")	914 mm (36")	184 mm (7-1/4")	460 mm (24")	648 mm (25-1/2")	57 mm (2-1/4")	54 mm (2-1/8")
GRSBF-36-O	953 mm (37-1/2")	914 mm (36")	184 mm (7-1/4")	762 mm (30")	800 mm (31-1/2")	57 mm (2-1/4")	54 mm (2-1/8")
GRSBF-42-F	1105 mm (43-1/2")	1067 mm (42")	184 mm (7-1/4")	394 mm (15-1/2")	432 mm (17")	57 mm (2-1/4")	54 mm (2-1/8")
GRSBF-42-I	1105 mm (43-1/2")	1067 mm (42")	184 mm (7-1/4")	495 mm (19-1/2")	533 mm (21")	57 mm (2-1/4")	54 mm (2-1/8")
GRSBF-42-S	1105 mm (43-1/2")	1067 mm (42")	184 mm (7-1/4")	460 mm (24")	648 mm (25-1/2")	57 mm (2-1/4")	54 mm (2-1/8")
GRSBF-42-O	1105 mm (43-1/2")	1067 mm (42")	184 mm (7-1/4")	762 mm (30")	800 mm (31-1/2")	57 mm (2-1/4")	54 mm (2-1/8")
GRSBF-48-F	1257 mm (49-1/2")	1219 mm (48")	184 mm (7-1/4")	394 mm (15-1/2")	432 mm (17")	57 mm (2-1/4")	54 mm (2-1/8")
GRSBF-48-I	1257 mm (49-1/2")	1219 mm (48")	184 mm (7-1/4")	495 mm (19-1/2")	533 mm (21")	57 mm (2-1/4")	54 mm (2-1/8")
GRSBF-48-S	1257 mm (49-1/2")	1219 mm (48")	184 mm (7-1/4")	460 mm (24")	648 mm (25-1/2")	57 mm (2-1/4")	54 mm (2-1/8")
GRSBF-48-O	1257 mm (49-1/2")	1219 mm (48")	184 mm (7-1/4")	762 mm (30")	800 mm (31-1/2")	57 mm (2-1/4")	54 mm (2-1/8")
GRSBF-60-F	1562 mm (61-1/2")	1524 mm (60")	184 mm (7-1/4")	394 mm (15-1/2")	432 mm (17")	57 mm (2-1/4")	54 mm (2-1/8")
GRSBF-60-I	1562 mm (61-1/2")	1524 mm (60")	184 mm (7-1/4")	495 mm (19-1/2")	533 mm (21")	57 mm (2-1/4")	54 mm (2-1/8")
GRSBF-60-S	1562 mm (61-1/2")	1524 mm (60")	184 mm (7-1/4")	460 mm (24")	648 mm (25-1/2")	57 mm (2-1/4")	54 mm (2-1/8")
GRSBF-60-O	1562 mm (61-1/2")	1524 mm (60")	184 mm (7-1/4")	762 mm (30")	800 mm (31-1/2")	57 mm (2-1/4")	54 mm (2-1/8")
GRSBF-66-I	1715 mm (67-1/2")	1676 mm (66")	184 mm (7-1/4")	495 mm (19-1/2")	533 mm (21")	57 mm (2-1/4")	54 mm (2-1/8")
GRSBF-72-F	1867 mm (73-1/2")	1829 mm (72")	184 mm (7-1/4")	394 mm (15-1/2")	432 mm (17")	57 mm (2-1/4")	54 mm (2-1/8")
GRSBF-72-I	1867 mm (73-1/2")	1829 mm (72")	184 mm (7-1/4")	495 mm (19-1/2")	533 mm (21")	57 mm (2-1/4")	54 mm (2-1/8")
GRSBF-72-S	1867 mm (73-1/2")	1829 mm (72")	184 mm (7-1/4")	460 mm (24")	648 mm (25-1/2")	57 mm (2-1/4")	54 mm (2-1/8")
GRSBF-72-O	1867 mm (73-1/2")	1829 mm (72")	184 mm (7-1/4")	762 mm (30")	800 mm (31-1/2")	57 mm (2-1/4")	54 mm (2-1/8")



Vue de face



Vue de côté

Dimensions — Modèles GRSBF

**Tableau des valeurs nominales électriques —
Standard 495 mm (19-1/2") Modèles Profondeur de GRS**

Modèle	Tension	Intensité	Amps	Configuration de Fiches	Poids d'embarquement
GRS-18-I	120	250	2.1	NEMA 5-15P	7 kg (16 lbs.)
GRS-24-I	120	350	2.9	NEMA 5-15P	9 kg (20 lbs.)
GRS-30-I	120	450	3.8	NEMA 5-15P	11 kg (25 lbs.)
GRS-36-I	120	550	4.6	NEMA 5-15P	13 kg (28 lbs.)
GRS-42-I	120	600	5.0	NEMA 5-15P	15 kg (32 lbs.)
GRS-48-I	120	700	5.8	NEMA 5-15P	16 kg (36 lbs.)
GRS-54-I	120	800	6.7	NEMA 5-15P	19 kg (42 lbs.)
GRS-60-I	120	900	7.5	NEMA 5-15P	20 kg (44 lbs.)
GRS-66-I	120	1000	8.3	NEMA 5-15P	23 kg (50 lbs.)
GRS-72-I	120	1100	9.2	NEMA 5-15P	25 kg (56 lbs.)

Tableau des valeurs nominales électriques — Profondeur supplémentaire GRS modèles

Modèle	Tension	Intensité	Amps	Configuration de Fiches	Poids d'embarquement
GRS-18-A	120	100	0.8	NEMA 5-15P	7 kg (16 lbs.)
GRS-18-B					
GRS-18-C		125	1.0		
GRS-18-D					
GRS-18-E		200	1.7		
GRS-18-F					
GRS-18-G		225	1.9		
GRS-18-H					
GRS-18-J		300	2.5		
GRS-18-K					
GRS-18-L		350	2.9		
GRS-24-A	120	125	1.0	NEMA 5-15P	9 kg (20 lbs.)
GRS-24-B					
GRS-24-C		175	1.5		
GRS-24-D					
GRS-24-E		250	2.1		
GRS-24-F					
GRS-24-G		300	2.5		
GRS-24-H					
GRS-24-J		375	3.1		
GRS-24-K					
GRS-24-L		425	3.5		
	475	4.0			
GRS-30-A	120	150	1.3	NEMA 5-15P	11 kg (25 lbs.)
GRS-30-B					
GRS-30-C		225	1.9		
GRS-30-D					
GRS-30-E		300	2.5		
GRS-30-F					
GRS-30-G		375	3.1		
GRS-30-H					
GRS-30-J		450	3.8		
GRS-30-K					
GRS-30-L		525	4.4		
	600	5.0			

suite...

Tableau des valeurs nominales électriques — Profondeur supplémentaire GRS modèles

Modèle	Tension	Intensité	Amps	Configuration de Fiches	Poids d'embarquement
GRS-36-A	120	175	1.5	NEMA 5-15P	13 kg (28 lbs.)
GRS-36-B					
GRS-36-C		275	2.3		
GRS-36-D					
GRS-36-E		350	2.9		
GRS-36-F					
GRS-36-G		450	3.8		
GRS-36-H					
GRS-36-J		525	4.4		
GRS-36-K					
GRS-36-L		625	5.2		
	725	6.0			
GRS-42-A	120	225	1.9	NEMA 5-15P	15 kg (32 lbs.)
GRS-42-B					
GRS-42-C		300	2.5		
GRS-42-D					
GRS-42-E		450	3.8		
GRS-42-F					
GRS-42-G		525	4.4		
GRS-42-H					
GRS-42-J		675	5.6		
GRS-42-K					
GRS-42-L		750	6.3		
		825	6.9		
GRS-48-A	120	250	2.1	NEMA 5-15P	16 kg (36 lbs.)
GRS-48-B					
GRS-48-C		350	2.9		
GRS-48-D					
GRS-48-E		500	4.2		
GRS-48-F					
GRS-48-G		600	5.0		
GRS-48-H					
GRS-48-J		750	6.3		
GRS-48-K					
GRS-48-L		850	7.1		
		950	7.9		
GRS-54-A	120	275	2.3	NEMA 5-15P	19 kg (42 lbs.)
GRS-54-B					
GRS-54-C		400	3.3		
GRS-54-D					
GRS-54-E		550	4.6		
GRS-54-F					
GRS-54-G		675	5.6		
GRS-54-H					
GRS-54-J		825	6.9		
GRS-54-K					
GRS-54-L		950	7.9		
		1075	9.0		

suite...

NOTA: La dernière lettre dans les modèles ci-dessus indiquent ce qui suit:

A = 152 mm (6") B = 197 mm (7-3/4") C = 248 mm (9-3/4") D = 305 mm (12")
 E = 349 mm (13-3/4") F = 394 mm (15-1/2") G = 400 mm (15-3/4") H = 445 mm (17-1/2")
 J = 546 mm (21-1/2") K = 597 mm (23-1/2") L = 648 mm (25-1/2")

Tableau des valeurs nominales électriques — Profondeur supplémentaire GRS modèles

Modèle	Tension	Intensité	Amps	Configuration de Fiches	Poids d'embarquement
GRS-60-A	120	300	2.5	NEMA 5-15P	20 kg (44 lbs.)
GRS-60-B					
GRS-60-C		450	3.8		
GRS-60-D					
GRS-60-E		600	5.0		
GRS-60-F					
GRS-60-G		750	6.3		
GRS-60-H					
GRS-60-J		900	7.5		
GRS-60-K					
GRS-60-L	1050	8.8			
	1200	10.0			
GRS-66-A	120	325	2.7	NEMA 5-15P	23 kg (50 lbs.)
GRS-66-B					
GRS-66-C		500	4.2		
GRS-66-D					
GRS-66-E		650	5.4		
GRS-66-F					
GRS-66-G		825	6.9		
GRS-66-H					
GRS-66-J		975	8.1		
GRS-66-K					
GRS-66-L	1150	9.6			
	1325	11.0			
GRS-72-A	120	350	2.9	NEMA 5-15P	25 kg (56 lbs.)
GRS-72-B					
GRS-72-C		550	4.6		
GRS-72-D					
GRS-72-E		700	5.8		
GRS-72-F					
GRS-72-G		900	7.5		
GRS-72-H					
GRS-72-J		1050	8.8		
GRS-72-K					
GRS-72-L	1250	10.4			
	1450	12.0			

NOTA: La dernière lettre dans les modèles ci-dessus indiquent ce qui suit:

A = 152 mm (6")	B = 197 mm (7-3/4")	C = 248 mm (9-3/4")	D = 305 mm (12")
E = 349 mm (13-3/4")	F = 394 mm (15-1/2")	G = 400 mm (15-3/4")	H = 445 mm (17-1/2")
J = 546 mm (21-1/2")	K = 597 mm (23-1/2")	L = 648 mm (25-1/2")	

Tableau des valeurs nominales électriques — Modèles GRSB

Modèle	Tension	Intensité	Amps	Configuration de Fiches	Poids d'embarquement
GRSB-24-F	120	420	3.5	NEMA 5-15P	9 kg (20 lbs.)
GRSB-24-I		550	4.6		10 kg (22 lbs.)
GRSB-24-O		790	6.6		12 kg (26 lbs.)
GRSB-24-S	208	680	3.3	NEMA 6-15P	12 kg (27 lbs.)
GRSB-30-F	120	505	4.2	NEMA 5-15P	10 kg (23 lbs.)
GRSB-30-I		665	5.6		11 kg (25 lbs.)
GRSB-30-O		950	7.9		13 kg (28 lbs.)
GRSB-36-F	120	590	4.9	NEMA 5-15P	12 kg (26 lbs.)
GRSB-36-I		780	6.5		13 kg (29 lbs.)
GRSB-36-O		1110	9.3		15 kg (32 lbs.)
GRSB-42-F	120	685	5.7	NEMA 5-15P	13 kg (29 lbs.)
GRSB-42-I		885	7.4		15 kg (32 lbs.)
GRSB-42-O	120	1270	10.6	NEMA 5-15P	16 kg (35 lbs.)
	208		6.1	NEMA 6-15P	16 kg (35 lbs.)
GRSB-42-S	208	1090	5.2	NEMA 6-15P	16 kg (36 lbs.)
GRSB-48-F	120	770	6.4	NEMA 5-15P	15 kg (33 lbs.)
GRSB-48-I		1000	8.3		16 kg (36 lbs.)
GRSB-48-O		1430	11.9		18 kg (39 lbs.)
GRSB-54-I	120	1110	9.3	NEMA 5-15P	20 kg (43 lbs.)
GRSB-60-F	120	950	7.9	NEMA 5-15P	20 kg (45 lbs.)
GRSB-60-I		1220	10.2		23 kg (50 lbs.)
GRSB-60-O		1750	14.6		NEMA 5-20P
GRSB-66-F	120	1040	8.7	NEMA 5-15P	23 kg (50 lbs.)
GRSB-66-I		1330	11.1		25 kg (54 lbs.)
GRSB-72-F	120	1130	9.4	NEMA 5-15P	24 kg (52 lbs.)
GRSB-72-I		1440	12.0		26 kg (58 lbs.)
GRSB-72-O	208	2070	10.0	NEMA 6-15P	29 kg (64 lbs.)
	240		8.6		
GRSB-72-S	208	1750	8.4	NEMA 6-15P	30 kg (65 lbs.)

Tableau des valeurs nominales électriques — Modèles GRSBF

Modèle	Tension	Intensité	Amps	Configuration de Fiches	Poids d'embarquement
GRSBF-18-F	120	330	2.8	NEMA 5-15P	7 kg (15 lbs.)
GRSBF-24-F	120	420	3.5	NEMA 5-15P	9 kg (20 lbs.)
GRSBF-24-I		550	4.6		10 kg (22 lbs.)
GRSBF-24-S	120	700	5.8	NEMA 5-15P	11 kg (24 lbs.)
	208	680	3.3	NEMA 6-15P	
GRSBF-24-O	120	790	6.6	NEMA 5-15P	12 kg (26 lbs.)
GRSBF-30-F	120	505	4.2	NEMA 5-15P	10 kg (23 lbs.)
	208	505	2.4	NEMA 6-15P	10 kg (23 lbs.)
GRSBF-30-I	120	665	5.5	NEMA 5-15P	11 kg (25 lbs.)
GRSBF-30-S		825	6.9		12 kg (26 lbs.)
GRSBF-30-O		950	7.9		13 kg (28 lbs.)
GRSBF-36-F	120	590	4.9	NEMA 5-15P	12 kg (26 lbs.)
GRSBF-36-I	120	780	6.5	NEMA 5-15P	13 kg (28 lbs.)
	208	780	3.8	NEMA 6-15P	
GRSBF-36-S	120	950	7.9	NEMA 5-15P	15 kg (31 lbs.)
GRSBF-36-O		1110	9.3		15 kg (32 lbs.)
GRSBF-42-F	120	685	5.7	NEMA 5-15P	13 kg (29 lbs.)
GRSBF-42-I		885	7.4		15 kg (32 lbs.)
GRSBF-42-S		1100	9.2		15 kg (34 lbs.)
GRSBF-42-O		1270	10.6		16 kg (35 lbs.)
GRSBF-48-F	120	770	6.4	NEMA 5-15P	15 kg (33 lbs.)
GRSBF-48-I		1000	8.3		16 kg (36 lbs.)
GRSBF-48-S		1225	10.2		17 kg (38 lbs.)
GRSBF-48-O	120	1430	11.9	NEMA 5-15P	18 kg (39 lbs.)
	240	1430	6.0	NEMA 6-15P	
GRSBF-60-F	120	950	7.9	NEMA 5-15P	20 kg (45 lbs.)
GRSBF-60-I	120	1220	10.2		23 kg (50 lbs.)
	208	1220	5.9	NEMA 6-15P	23 kg (50 lbs.)
GRSBF-60-S	120	1500	12.5	NEMA 5-20P	24 kg (53 lbs.)
GRSBF-60-O	120	1750	14.6	NEMA 5-20P	25 kg (54 lbs.)
	240	1750	7.3	NEMA 6-15P	
GRSBF-66-I	208	1330	6.4	NEMA 6-15P	25 kg (54 lbs.)
	240		5.5		25 kg (54 lbs.)
GRSBF-72-F	120	1130	9.4	NEMA 5-15P	24 kg (52 lbs.)
GRSBF-72-I		1440	12.0		26 kg (58 lbs.)
GRSBF-72-S		1750	14.6	NEMA 5-20P	28 kg (62 lbs.)
GRSBF-72-O	208	2070	10.0	NEMA 6-15P	29 kg (64 lbs.)
	240	2070	8.6		

Généralités

Utilisez les procédures suivantes pour installer les appareils GRS, GRSB et GRSBF.

⚠ AVERTISSEMENT

DANGER D'INCENDIE: Placez l'unité à au moins 25 mm (1") des murs combustibles et des produits. Si les distances de sécurité ne sont pas respectées, une décoloration ou combustion peut avoir lieu.

⚠ ATTENTION

Placez l'unité à une hauteur adaptée au comptoir, à un emplacement pratique à utiliser. L'emplacement doit être plan pour éviter que l'unité ou son contenu ne tombe accidentellement, et suffisamment solide pour supporter le poids de l'unité et de son contenu.

Ne faites pas fonctionner les modèles intégrés si le boîtier de contrôle n'est pas installé conformément aux instructions d'installation.

Ne faites pas fonctionner l'appareil sans avoir installé les pieds fournis.

La National Sanitation Foundation (NSF) exige que les appareils mesurant plus de 914 mm (36") de largeur et pesant plus de 36 kg (80 lbs.) soient hermétiquement fixés ou rehaussés sur la surface d'installation. Si l'unité ne peut pas être fixée à l'endroit d'utilisation, des pieds de 102 mm (4") sont fournis pour permettre le nettoyage du dessous de l'unité.

Modèles GRS

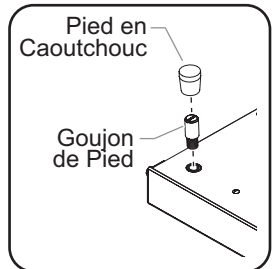
1. Enlever l'appareil du carton et le poser à l'envers sur celui-ci.

NOTA : Pour éviter des retards dans l'obtention de la couverture de la garantie, complétez l'enregistrement en ligne de votre garantie. Lisez la section **INFORMATIONS IMPORTANTES POUR LE PROPRIÉTAIRE** pour plus de détails.

2. Installez les pieds de 25 mm (1") de l'appareil.

- a. Vissez un goujon de pied dans les orifices de chaque coin en bas de l'appareil. Serrez fermement mais pas de manière excessive.

- b. Faites glisser un pied en caoutchouc sur chaque goujon de pied.



NOTA: Si des pieds de 102 mm (4") sont nécessaires, consultez la section **OPTIONS ET ACCESSOIRES** de ce manuel pour connaître les instructions d'installation.

NOTA: Si l'appareil doit être installé sur une grille d'étagère métallique, reportez-vous à la section **OPTIONS ET ACCESSOIRES** de ce manuel pour obtenir les instructions d'installation.

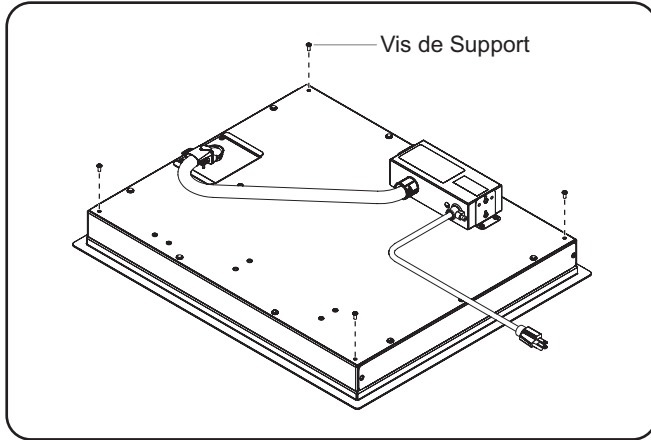
3. Redresser l'appareil et le placer à l'endroit désiré.

- Placez l'appareil dans une zone où la température ambiante est toujours de 21°C (70°F) minimum. Évitez les zones situées dans les courants d'air (par exemple à proximité d'une porte extérieure, des ventilateurs d'échappement/hottes, des conduites de climatisation, etc.).
- Assurez-vous que l'appareil est à une hauteur appropriée par rapport au comptoir dans une zone adaptée à son utilisation.
- Assurez-vous que le comptoir est de niveau et qu'il est suffisamment solide pour supporter le poids de l'appareil et des aliments.
- Assurez-vous que tous les pieds de l'appareil sont correctement positionnés sur le comptoir.

Modèles GRSB et GRSBF

1. Enlever l'appareil du carton et le poser à l'envers sur celui-ci.

NOTA: Pour éviter un retard de service sous garantie, enregistrez la garantie en ligne. Pour des détails, voir la section INFORMATIONS IMPORTANTES POUR LE PROPRIÉTAIRE.



Dessous des modèles GRSB

2. Retirez les vis de support du dessous de l'appareil et mettez-les de côté.

NOTA: Le boîtier de contrôle peut être placé à un endroit plus adapté sous l'appareil. Pour une installation partiellement distante, laissez le boîtier de contrôle en place jusqu'à ce que l'appareil soit placé dans le comptoir.

AVIS

L'appareil est conçu et recommandé pour une utilisation sur ou dans des comptoirs métalliques. Les dommages subis par le matériau de comptoir ne sont pas couverts par la garantie Hatco. Pour d'autres surfaces, assurez-vous que le matériau est adapté à des températures pouvant atteindre 93°C (200°F).

3. Préparez la découpe du comptoir. Consultez le tableau « Découpe du plateau » des pages suivantes pour connaître les dimensions de découpe du comptoir recommandées.
4. Appliquez un cordon d'agent d'étanchéité approuvé par la NSF (National Sanitation Foundation) entre le matériau du comptoir et le rebord de fixation. L'agent d'étanchéité doit être homologué pour une utilisation à une température minimum de 121°C (250°F).
5. Placez l'appareil dans la découpe.
6. Fixez les attaches Z sous l'appareil à l'aide des quatre vis de support précédemment démontées dans cette procédure (consultez aux illustrations sur les pages suivantes).

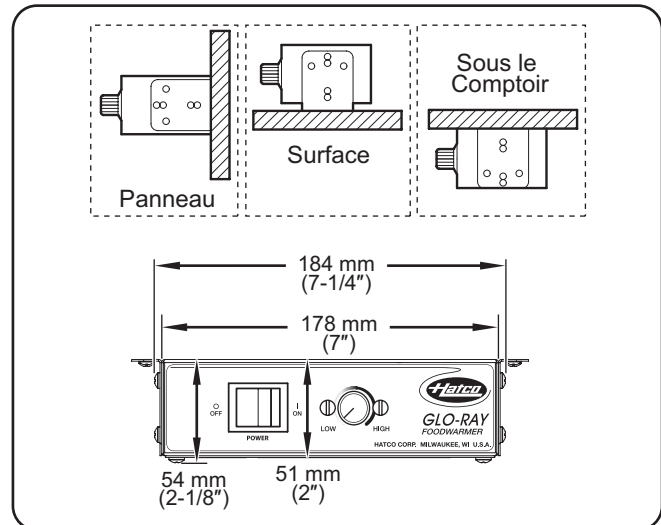
NOTA: Les appareils de 1524 mm (60") ou plus longs nécessitent l'emploi d'attaches Z supplémentaires à mi-chemin des extrémités avant et arrière de l'appareil.

7. Réglez les vis de montage sur les attaches Z pour que le rebord supérieur se pose à plat sur le comptoir.

AVIS

N'exercez pas une force excessive lors du serrage des vis de montage des appareils intégrés. Cela risquerait d'endommager l'appareil et/ou le comptoir.

8. Retirez l'excédent d'agent d'étanchéité.
9. En fonction des besoins, le boîtier de contrôle peut être installé en position semi-distante.
 - a. Retirez le boîtier de contrôle du dessous de l'appareil.
 - b. Si cela est nécessaire, retirez les supports d'extrémité du boîtier de contrôle, faites tourner/repositionnez et refixez le boîtier de contrôle.
 - c. Le boîtier de contrôle peut être installé sur le panneau, sous le comptoir ou encastré.



Options de montage du boîtier de contrôle

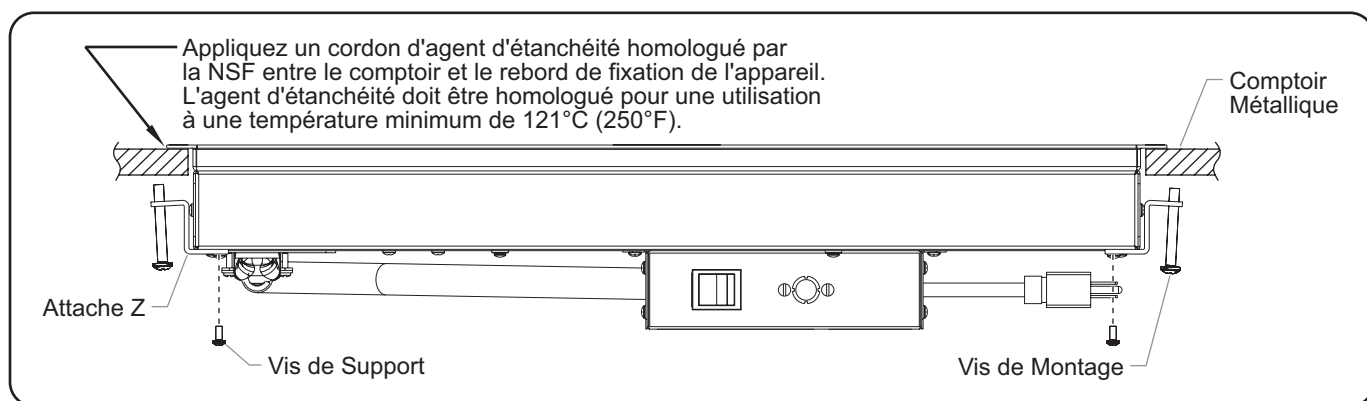
- d. La distance d'installation du boîtier de contrôle est limitée par la gaine de câbles qui mesure 914 mm (36"). Ne tirez pas sur la gaine de câbles pour essayer d'augmenter la distance d'installation. La gaine de câbles doit présenter un peu de jeu après l'installation du boîtier de contrôle.

AVIS

Ne modifiez pas le câblage et ne coupez pas le câble capillaire du thermostat du boîtier de contrôle pour augmenter la distance d'installation de la commande à distance. Si vous coupez le câble capillaire du thermostat, cela risque de provoquer une surchauffe et des dommages à l'appareil ainsi qu'au comptoir.

10. Une fois tous les éléments fixés, consultez la section Fonctionnement.

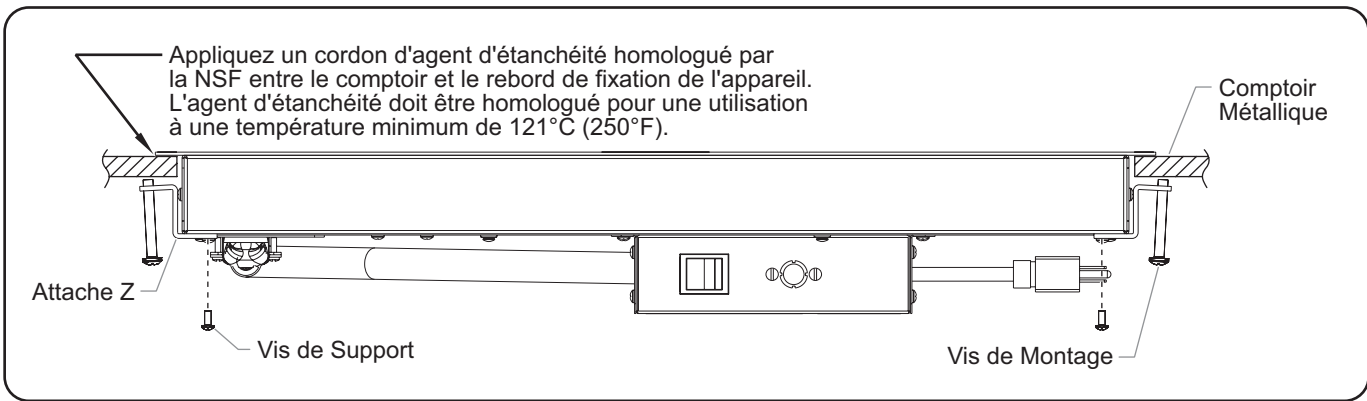
NOTA: Un cordon de 1829 mm (6') est fourni avec l'appareil; tout excès de câble doit être acheminé proprement de sorte à ce qu'il ne pende pas.



Modèle GRSB — Installation

Découpe Du Plateau Voir — Modèles GRSB

Modèle	Largeur	Profondeur
GRSB-24-F	622 mm (24-1/2") – 629 mm (24-3/4")	406 mm (16") – 413 mm (16-1/4")
GRSB-24-I	622 mm (24-1/2") – 629 mm (24-3/4")	508 mm (20") – 413 mm (20-1/4")
GRSB-24-O	622 mm (24-1/2") – 629 mm (24-3/4")	775 mm (30-1/2") – 781 mm (30-3/4")
GRSB-30-F	775 mm (30-1/2") – 781 mm (30-3/4")	406 mm (16") – 413 mm (16-1/4")
GRSB-30-I	775 mm (30-1/2") – 781 mm (30-3/4")	508 mm (20") – 413 mm (20-1/4")
GRSB-30-O	775 mm (30-1/2") – 781 mm (30-3/4")	775 mm (30-1/2") – 781 mm (30-3/4")
GRSB-36-F	927 mm (36-1/2") – 934 mm (36-3/4")	406 mm (16") – 413 mm (16-1/4")
GRSB-36-I	927 mm (36-1/2") – 934 mm (36-3/4")	508 mm (20") – 413 mm (20-1/4")
GRSB-36-O	927 mm (36-1/2") – 934 mm (36-3/4")	775 mm (30-1/2") – 781 mm (30-3/4")
GRSB-42-F	1080 mm (42-1/2") – 1086 mm (42-3/4")	406 mm (16") – 413 mm (16-1/4")
GRSB-42-I	1080 mm (42-1/2") – 1086 mm (42-3/4")	508 mm (20") – 413 mm (20-1/4")
GRSB-42-O	1080 mm (42-1/2") – 1086 mm (42-3/4")	775 mm (30-1/2") – 781 mm (30-3/4")
GRSB-48-F	1232 mm (48-1/2") – 1238 mm (48-3/4")	406 mm (16") – 413 mm (16-1/4")
GRSB-48-I	1232 mm (48-1/2") – 1238 mm (48-3/4")	508 mm (20") – 413 mm (20-1/4")
GRSB-48-O	1232 mm (48-1/2") – 1238 mm (48-3/4")	775 mm (30-1/2") – 781 mm (30-3/4")
GRSB-54-I	1384 mm (54-1/2") – 1391 mm (54-3/4")	508 mm (20") – 413 mm (20-1/4")
GRSB-60-F	1537 mm (60-1/2") – 1543 mm (60-3/4")	406 mm (16") – 413 mm (16-1/4")
GRSB-60-I	1537 mm (60-1/2") – 1543 mm (60-3/4")	508 mm (20") – 413 mm (20-1/4")
GRSB-60-O	1537 mm (60-1/2") – 1543 mm (60-3/4")	775 mm (30-1/2") – 781 mm (30-3/4")
GRSB-66-F	1689 mm (66-1/2") – 1696 mm (66-3/4")	406 mm (16") – 413 mm (16-1/4")
GRSB-66-I	1689 mm (66-1/2") – 1696 mm (66-3/4")	508 mm (20") – 413 mm (20-1/4")
GRSB-72-F	1842 mm (72-1/2") – 1848 mm (72-3/4")	406 mm (16") – 413 mm (16-1/4")
GRSB-72-I	1842 mm (72-1/2") – 1848 mm (72-3/4")	508 mm (20") – 413 mm (20-1/4")
GRSB-72-O	1842 mm (72-1/2") – 1848 mm (72-3/4")	775 mm (30-1/2") – 781 mm (30-3/4")



Modèle GRSBF — Installation

Découpe Du Plateau Voir — Modèles GRSBF

Modèle	Largeur	Profondeur
GRSBF-18-F	470 mm (18-1/2") – 476 mm (18-3/4")	406 mm (16") – 413 mm (16-1/4")
GRSBF-24-F	622 mm (24-1/2") – 629 mm (24-3/4")	406 mm (16") – 413 mm (16-1/4")
GRSBF-24-I	622 mm (24-1/2") – 629 mm (24-3/4")	508 mm (20") – 514 mm (20-1/4")
GRSBF-24-S	622 mm (24-1/2") – 629 mm (24-3/4")	622 mm (24-1/2") – 629 mm (24-3/4")
GRSBF-24-O	622 mm (24-1/2") – 629 mm (24-3/4")	775 mm (30-1/2") – 781 mm (30-3/4")
GRSBF-30-F	775 mm (30-1/2") – 781 mm (30-3/4")	406 mm (16") – 413 mm (16-1/4")
GRSBF-30-I	775 mm (30-1/2") – 781 mm (30-3/4")	508 mm (20") – 514 mm (20-1/4")
GRSBF-30-S	775 mm (30-1/2") – 781 mm (30-3/4")	622 mm (24-1/2") – 629 mm (24-3/4")
GRSBF-30-O	775 mm (30-1/2") – 781 mm (30-3/4")	775 mm (30-1/2") – 781 mm (30-3/4")
GRSBF-36-F	927 mm (36-1/2") – 934 mm (36-3/4")	406 mm (16") – 413 mm (16-1/4")
GRSBF-36-I	927 mm (36-1/2") – 934 mm (36-3/4")	508 mm (20") – 514 mm (20-1/4")
GRSBF-36-S	927 mm (36-1/2") – 934 mm (36-3/4")	622 mm (24-1/2") – 629 mm (24-3/4")
GRSBF-36-O	927 mm (36-1/2") – 934 mm (36-3/4")	775 mm (30-1/2") – 781 mm (30-3/4")
GRSBF-42-F	1080 mm (42-1/2") – 1086 mm (42-3/4")	406 mm (16") – 413 mm (16-1/4")
GRSBF-42-I	1080 mm (42-1/2") – 1086 mm (42-3/4")	508 mm (20") – 514 mm (20-1/4")
GRSBF-42-S	1080 mm (42-1/2") – 1086 mm (42-3/4")	622 mm (24-1/2") – 629 mm (24-3/4")
GRSBF-42-O	1080 mm (42-1/2") – 1086 mm (42-3/4")	775 mm (30-1/2") – 781 mm (30-3/4")
GRSBF-48-F	1232 mm (48-1/2") – 1238 mm (48-3/4")	406 mm (16") – 413 mm (16-1/4")
GRSBF-48-I	1232 mm (48-1/2") – 1238 mm (48-3/4")	508 mm (20") – 514 mm (20-1/4")
GRSBF-48-S	1232 mm (48-1/2") – 1238 mm (48-3/4")	622 mm (24-1/2") – 629 mm (24-3/4")
GRSBF-48-O	1232 mm (48-1/2") – 1238 mm (48-3/4")	775 mm (30-1/2") – 781 mm (30-3/4")
GRSBF-60-F	1537 mm (60-1/2") – 1543 mm (60-3/4")	406 mm (16") – 413 mm (16-1/4")
GRSBF-60-I	1537 mm (60-1/2") – 1543 mm (60-3/4")	508 mm (20") – 514 mm (20-1/4")
GRSBF-60-S	1537 mm (60-1/2") – 1543 mm (60-3/4")	622 mm (24-1/2") – 629 mm (24-3/4")
GRSBF-60-O	1537 mm (60-1/2") – 1543 mm (60-3/4")	775 mm (30-1/2") – 781 mm (30-3/4")
GRSBF-66-I	1689 mm (66-1/2") – 1696 mm (66-3/4")	508 mm (20") – 514 mm (20-1/4")
GRSBF-72-F	1842 mm (72-1/2") – 1848 mm (72-3/4")	406 mm (16") – 413 mm (16-1/4")
GRSBF-72-I	1842 mm (72-1/2") – 1848 mm (72-3/4")	508 mm (20") – 514 mm (20-1/4")
GRSBF-72-S	1842 mm (72-1/2") – 1848 mm (72-3/4")	622 mm (24-1/2") – 629 mm (24-3/4")
GRSBF-72-O	1842 mm (72-1/2") – 1848 mm (72-3/4")	775 mm (30-1/2") – 781 mm (30-3/4")

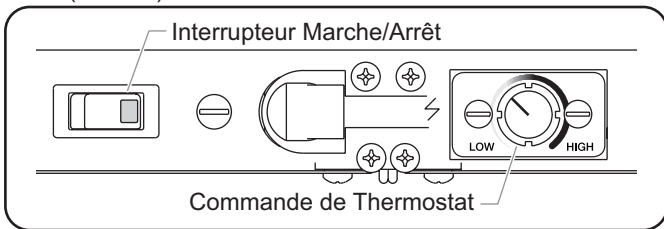
Généralités

Utilisez la procédure suivante pour allumer et faire fonctionner les appareils GRS, GRSB et GRSBF.

⚠ AVERTISSEMENT

Lire tous les messages de sécurité de la section Consignes de sécurité importantes avant d'utiliser ce matériel.

1. Branchez l'appareil dans une prise électrique avec mise à la terre, configuration et tension correctes. Consultez la section SPÉCIFICATIONS de ce manuel pour avoir plus d'informations.
2. Mettez l'interrupteur I/O (marche/arrêt) en position I (marche).

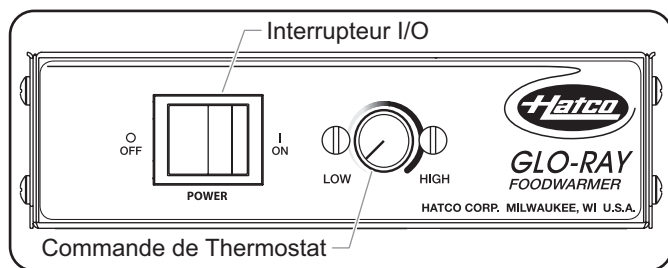


Panneau de Contrôle — Modèle GRS

⚠ ATTENTION

DANGER DE BRÛLURE : Certaines surfaces extérieures de l'appareil deviennent chaudes. Toucher ces zones de l'appareil avec précaution.

3. Tourner le thermostat sur le réglage de température désiré.



Panneau de Contrôle — Modèle GRSB et GRSBF

NOTA: Le fait de tourner le bouton de contrôle du thermostat dans le sens horaire va augmenter la température. Le fait de tourner le bouton de commande du thermostat dans le sens anti-horaire va diminuer la température.

4. Laisser s'écouler 30 minutes pour que l'appareil atteigne la température de fonctionnement.

AVIS

Ne faites pas glisser de casseroles sur les surfaces à revêtement dur, n'utilisez pas de casseroles avec revêtement à fond dur et ne laissez rien tomber sur les surfaces à couche dure. Cela pourrait rayer votre équipement. Les dommages causés sur les surfaces à revêtement dur dus à une mauvaise utilisation ne sont pas couverts par la garantie.

NOTA: Consultez la section OPTIONS ET ACCESSOIRES pour avoir plus d'informations concernant l'installation et le fonctionnement des appareils GRSB et GRSBF équipés d'un boîtier de contrôle distant de type encastré.

MAINTENANCE

Généralités

Les rayonnages chauffants Glo-Ray® de Hatco sont conçus pour fournir une durabilité et des performances maximales avec une maintenance minimale.

⚠ AVERTISSEMENT

DANGER DE DÉCHARGE ÉLECTRIQUE :

- Mettez l'unité hors tension depuis l'interrupteur, débranchez le cordon d'alimentation et laissez l'unité refroidir avant d'effectuer tout nettoyage, tout réglage ou tout entretien.
- **NE PAS immerger l'appareil ni le saturer d'eau.** L'appareil n'est pas étanche à l'eau. Ne pas le faire fonctionner s'il a été immergé ou saturé d'eau.
- Ne pas nettoyer à la vapeur ni utiliser trop d'eau sur l'appareil.
- Ne pas nettoyer l'appareil lorsqu'il est sous tension.
- Pour les réparations, utiliser exclusivement des pièces de rechange Hatco d'origine. Utilisez des pièces détachées Hatco authentiques sous peine d'annuler toutes les garanties et d'exposer l'utilisateur à des tensions électriques dangereuses pouvant entraîner une électrocution ou des brûlures. Les pièces de rechange Hatco d'origine sont conçues pour fonctionner sans danger dans les environnements dans lesquels elles sont utilisées. Certaines pièces de rechange génériques ou de second marché ne présentent pas les caractéristiques leur permettant de fonctionner sans danger dans le matériel Hatco.

⚠ AVERTISSEMENT

Cet appareil ne contient aucune pièce réparable par l'utilisateur. Si cet appareil doit être réparé, contacter un réparateur Hatco agréé ou le Service après-vente Hatco au +1 800-558-0607 ou +1 414-671-6350.

Nettoyage quotidien

Pour préserver la finition de l'appareil et maintenir la performance, il est recommandé de nettoyer tous les jours l'appareil.

AVIS

Utiliser uniquement des produits nettoyants non abrasifs. Les produits nettoyants abrasifs peuvent rayer la finition de l'appareil, ce qui altère son apparence et le rend plus susceptible d'accumuler la saleté.

1. Mettre l'appareil hors tension, débrancher le cordon d'alimentation et laisser refroidir l'appareil.
2. Retirez et lavez tous les bacs à aliments si cela est nécessaire.
3. Essuyez toutes les surfaces métalliques à l'aide d'un chiffon humide non abrasif. Les dépôts minéraux peuvent être retirés à l'aide d'un bon nettoyant pour acier inox ou un produit non abrasif. Les recoins difficiles d'accès doivent être nettoyés avec une petite brosse et du savon doux.
4. Essuyez toutes les surfaces à l'aide d'un chiffon sec non abrasif.

⚠ AVERTISSEMENT

La réparation de cet appareil doit être confiée exclusivement à du personnel qualifié. Les réparations par des personnes non qualifiées peuvent provoquer des décharges électriques et des brûlures.

⚠ AVERTISSEMENT

DANGER DE DÉCHARGE ÉLECTRIQUE: Mettez l'unité hors tension depuis l'interrupteur, débranchez le cordon d'alimentation et laissez l'unité refroidir avant d'effectuer tout nettoyage, tout réglage ou tout entretien.

Symptômes	Causes Probables	Action Correctrice
Appareil trop chaud.	Valeur du thermostat trop importante.	Diminuez la valeur du thermostat.
	Thermostat bloqué en position « Marche ».	Contactez votre agent de maintenance agréé ou Hatco.
	Appareil branché à une alimentation électrique inadaptée.	Demandez à un personnel qualifié de vérifier si l'alimentation électrique correspond aux spécifications de l'appareil.
Appareil pas assez chaud.	Valeur du thermostat trop basse.	Augmentez la valeur du thermostat.
	L'appareil se trouve dans les courants d'air (conduites de climatisation ou ventilateurs d'échappement).	Supprimez les courants d'air ou déplacez l'appareil.
Appareil ne fonctionnant pas du tout.	Appareil pas branché.	Branchez l'appareil sur une alimentation électrique adaptée.
	Appareil pas allumé.	Mettez l'interrupteur I/O (marche/arrêt) en position I (marche)..
	L'interrupteur Marche/Arrêt (I/O) ne fonctionne pas.	Contactez votre agent de maintenance agréé ou Hatco.
	L'élément chauffant a grillé.	
	Le thermostat est défectueux.	

Vous avez des questions en ce qui concerne les pannes ?

Si le problème persiste, veuillez contacter l'agence d'entretien agréée Hatco la plus proche ou Hatco pour obtenir une assistance. Pour trouver l'agence d'entretien la plus proche, rendez-vous sur le site Internet de Hatco (www.hatcocorp.com) et sélectionnez le menu déroulant *Support (Assistance)*, puis cliquez sur « Find A Service Agent » (trouver un agent d'entretien); ou contactez l'équipe d'entretien et de pièces détachées de Hatco :

Numéro de téléphone: 800-558-0607 ou 414-671-6350

Courriel: support@hatcocorp.com

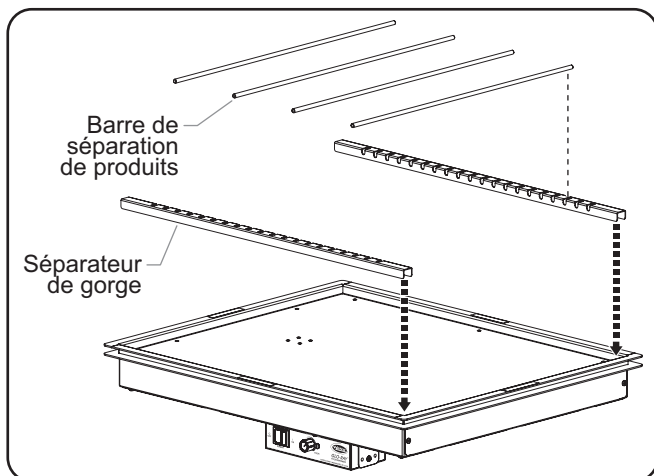
OPTIONS ET ACCESSOIRES

Barres de séparation (Modèles GRSB uniquement)

Des barres de séparation sont disponibles en tant qu'accessoires pour les modèles GRSB.

Installation des séparateurs de gorge et des barres de séparation de produits:

- Placez les séparateurs de gorge sur les arrêtes avant et arrière de l'appareil.
- Placez les barres de séparation de produits dans les séparateurs de gorge. Les barres peuvent être ajustées facilement afin de séparer les zones de conservation selon les besoins.



Installation des barres de séparation

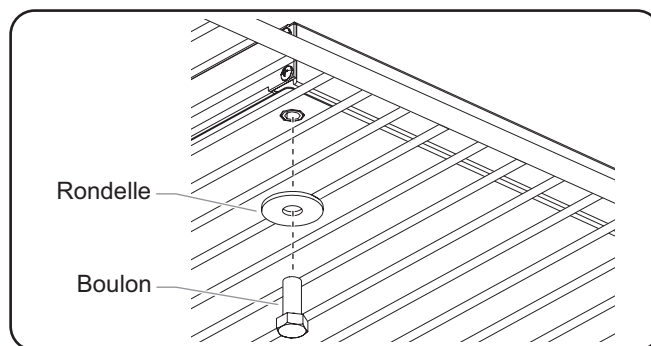
Kit d'installation sur grille métallique

Les appareils GRS peuvent être installés sur une étagère métallique. Suivez la procédure suivante pour installer un appareil sur une étagère métallique à l'aide du kit d'installation sur grille métallique.

⚠ ATTENTION

Placez l'unité à une hauteur adaptée au comptoir, à un emplacement pratique à utiliser. L'emplacement doit être plan pour éviter que l'unité ou son contenu ne tombe accidentellement, et suffisamment solide pour supporter le poids de l'unité et de son contenu.

- Retirez les pieds du bas de l'appareil.
- Placez l'appareil sur une étagère métallique.
- Fixez l'appareil à la grille de l'étagère à l'aide des boulons et des rondelles fournis.



Mise en place du kit d'installation sur grille

Boîtiers de Contrôle Distant (Modèles GRSB et GRSBF)

Deux boîtiers de contrôle distants de type encastré sont disponibles pour les appareils GRSB et GRSBF — le boîtier de contrôle de thermostat mécanique et le boîtier de contrôle de température numérique (ITC). Les deux boîtiers de contrôle s'installent selon la procédure suivante.

⚠ AVERTISSEMENT

Le boîtier de contrôle à distance doit être installé en position verticale sur un mur vertical. Si le boîtier de contrôle à distance est installé en position horizontale, du liquide risque de s'accumuler à l'intérieur et provoquer une décharge électrique.

AVIS

Installez le boîtier de contrôle distant hors de la zone chauffée. Si vous placez le boîtier de contrôle dans la zone chauffée, cela pourrait provoquer des surchauffes, des dysfonctionnements ou des défaillances des commandes.

Ne modifiez pas le câblage et ne coupez pas le câble capillaire du thermostat du boîtier de contrôle pour augmenter la distance d'installation de la commande à distance. Si vous coupez le câble capillaire du thermostat, cela risque de provoquer une surchauffe et des dommages à l'appareil ainsi qu'au comptoir.

NOTA: Les branchements des appareils à l'alimentation électrique doivent être faits par un électricien qualifié.

1. Préparez la découpe et pré-percez les orifices des vis (consultez l'illustration ci-dessous pour connaître les dimensions).
2. Retirez le capot du boîtier de contrôle.
3. Placez le boîtier de contrôle dans l'ouverture par l'arrière.
4. Fixez le boîtier de contrôle à la surface à l'aide des vis (non fournies).
5. Branchez une alimentation électrique adaptée au boîtier de contrôle distant.
6. Réinstallez le capot. Assurez l'étanchéité entre le capot et la surface de montage à l'aide d'un adhésif à la silicone.

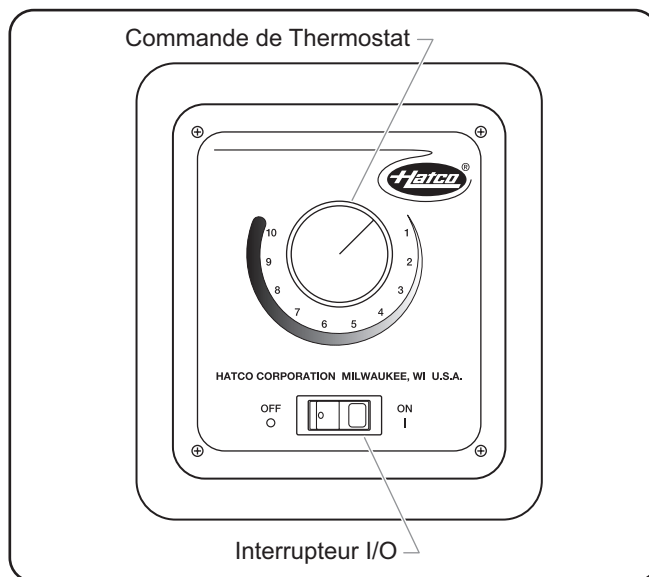
NOTA: Les appareils sont équipés d'une gaine de câbles de 914 mm (3') pour brancher le boîtier de contrôle sur l'appareil. Longueurs de conduit en option de 1829 mm (6') et 3048 mm (10') sont également disponibles.

Interrupteur Marche/Arrêt

Les deux boîtiers de contrôle distants sont équipés d'un Interrupteur I/O (marche/arrêt). Mettez l'interrupteur I/O (marche/arrêt) en position I (marche) pour allumer l'appareil. Le témoin de l'interrupteur s'allume lorsque l'appareil est allumé.

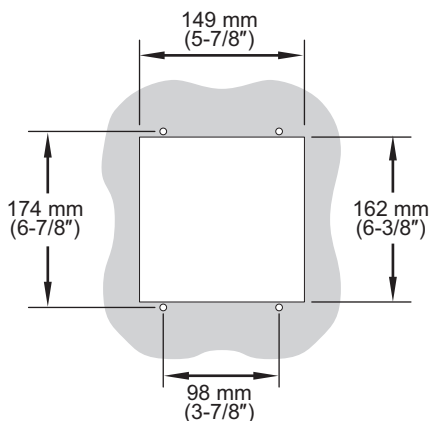
Réglage du Thermostat

Tournez le bouton de contrôle du thermostat dans le sens horaire pour augmenter la température. Tournez le bouton de contrôle du thermostat dans le sens anti-horaire pour diminuer la température.



Boîtier de contrôle du thermostat

suite...

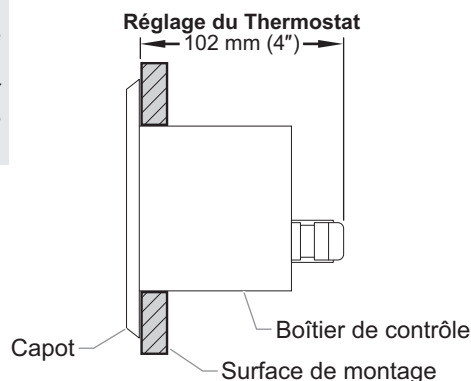


Vue de Face de la Découpe

REMARQUE IMPORTANTE:

Assurez-vous que l'emplacement choisi présente assez de place pour les branchements électriques au boîtier électrique.

Régulateur numérique de la température 121 mm (4-3/4")



Vue de côté du boîtier installé

Dimensions pour l'installation du boîtier de contrôle distant

Changer la température nominale — Régulateur numérique de la température

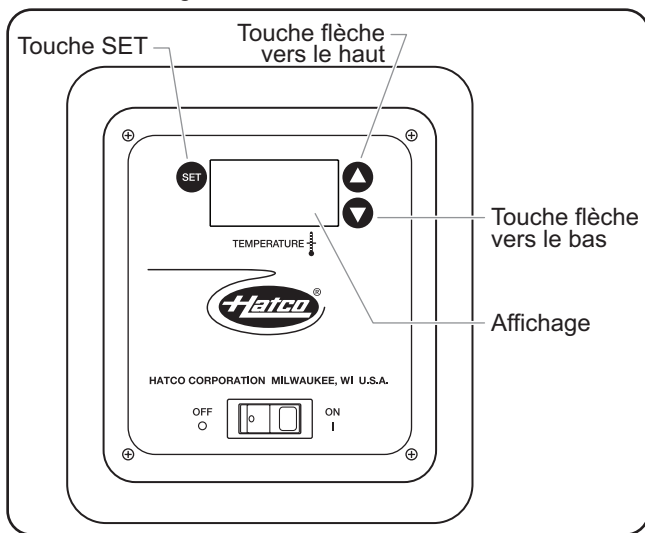
Une fois allumés, les appareils munis du régulateur numérique de la température chaufferont automatiquement jusqu'à la température nominale. Suivez la procédure ci-après pour programmer la température nominale.

NOTA: La température affichée à l'écran peut s'avérer inexacte lorsque la température de l'appareil est inférieure à 54°C (130°F).

Si la séquence de programmation est interrompue avant d'avoir exécuté la dernière étape, les valeurs modifiées ne seront pas enregistrées dans la mémoire.

1. Appuyez trois fois sur la touche **SET**. La température nominale actuelle s'affichera sur l'écran « TEMPÉRATURE » (le signe « SP » s'affichera après la deuxième pression).
2. Appuyez sur la touche ▲ ou la touche ▼ dans un délai de dix secondes pour modifier la température nominale.
3. Appuyez sur la touche **SET** pour enregistrer la nouvelle température nominale. L'affichage « TEMPÉRATURE » restera vierge pendant deux secondes puis indiquera que les nouveaux paramètres ont été acceptés.

NOTA: Après dix secondes d'inactivité au cours de la programmation, le régulateur quittera automatiquement le mode Programmation sans mémoriser la nouvelle valeur.



Régulateur de température numérique

Alternance entre l'affichage Fahrenheit et Celsius — Régulateur numérique de la température

Utilisez la procédure ci-après pour alterner entre l'affichage Fahrenheit et Celsius.

1. Appuyez une fois sur la touche **SET**. Saisissez « F » pour un affichage en Fahrenheit ou « C » pour un affichage en Celsius.
2. Appuyez sur la touche ▲ ou la touche ▼ dans un délai de dix secondes secondes pour alterner entre l'affichage « F » (Fahrenheit) et « C » (Celsius).
3. Appuyez trois fois sur la touche **SET** pour verrouiller le nouveau paramètre. L'affichage « TEMPÉRATURE » restera vierge pendant deux secondes puis indiquera que les nouveaux paramètres ont été acceptés.

NOTA: Après dix secondes d'inactivité au cours de la programmation, le régulateur quittera automatiquement le mode Programmation sans mémoriser la nouvelle valeur.

Pieds de 102 mm Réglables (Modèles GRS)

Suivez la procédure suivante pour installer les pieds de 102 mm (4") réglables sur un modèle GRS.

NOTA: Les pieds de 102 mm (4") sont standard sur les modèles de 914 mm (36") et plus.

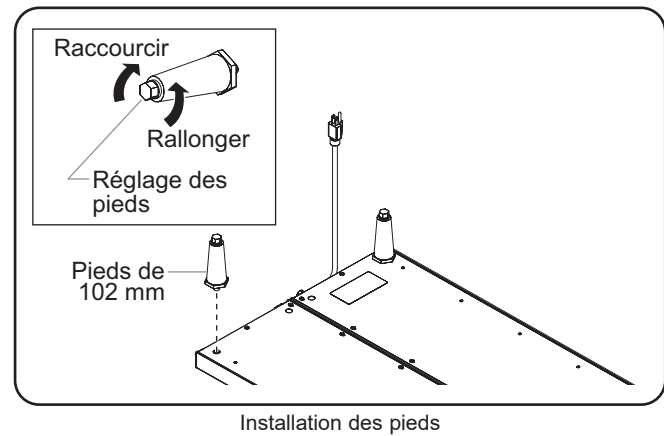
1. Éteignez l'appareil, débranchez le cordon d'alimentation et laissez l'appareil refroidir.

AVIS

Ne couchez pas l'unité sur le côté comportant le panneau de commande. L'unité pourrait être endommagée.

2. Retournez délicatement l'appareil et posez-le sur une surface plane. Veillez à bien couvrir la surface pour éviter de rayer l'appareil.
3. Vissez un pied de 102 mm (4") dans chaque angle sous l'appareil. Serrez à la main jusqu'à blocage. Ne serrez pas trop.
4. Remettez l'appareil à l'endroit.

NOTA: Les pieds de 102 mm (4") sont réglables afin de mettre l'appareil de niveau. Utilisez une clé plate de 14 mm (9/16") pour faire les réglages de niveau une fois l'appareil remis à sa place définitive.



Pieds en caoutchouc (Modèles GRS)

Des pieds en caoutchouc sont mis à disposition à titre d'accessoires et présentent une hauteur de 10 mm (3/8"). Les pieds en caoutchouc permettent de rapprocher l'étagère du comptoir.

Thermostat encastré

Un thermostat encastré est disponible en option et peut être installé en usine. Un thermostat encastré utilise une prise pour restreindre l'ajustement du thermostat.

1. GARANTIE DU PRODUIT

Hatco garantit que les produits qu'il fabrique (les « Produits ») sont exempts de défauts de matériel et de fabrication, dans des conditions normales d'utilisation et de maintenance, pour une période d'un (1) an à partir de la date d'achat à condition que l'appareil soit installé et entretenu conformément aux instructions écrites de Hatco ou 18 mois après la date de l'expédition par Hatco. L'acheteur doit prouver la date d'achat du Produit par l'enregistrement de ce dernier auprès de Hatco ou par d'autres moyens satisfaisants pour Hatco, à sa seule discrétion.

Hatco garantit que les composants du Produit suivants sont exempts de défauts de matériel et de fabrication à partir de la date d'achat (sous réserve des conditions précédentes) pour la ou les périodes de temps et en fonction des conditions listées ci-dessous :

- a) **Garantie d'un (1) an pour les pièces et la main-d'œuvre PLUS un (1) an supplémentaire pour les pièces uniquement :**
 Éléments du grille-pain à convoyeur (enveloppe métallique)
 Éléments des tiroirs chauffants (enveloppe métallique)
 Tiroirs, roues et glissières des tiroirs chauffants
 Éléments des rampes chauffantes (enveloppe métallique)
 Éléments des vitrines chauffantes
 (enveloppe métallique, air chauffant)
 Éléments des armoires de stockage
 (enveloppe métallique, air chauffant)
 Éléments des compartiments chauffants —
 série HW et HWB (enveloppe métallique)
- b) **Garantie de deux (2) ans pour les pièces et la main-d'œuvre :**
 Gammes à induction
 Réchauds à induction
- c) **Garantie d'un (1) an pour les pièces et la main-d'œuvre PLUS quatre (4) ans pour les pièces uniquement :**
 Cuves 3CS et FR
- d) **Garantie d'un (1) an pour les pièces et la main-d'œuvre PLUS neuf (9) ans pour les pièces uniquement :**
 Cuves des appareils de chauffage d'appoint électriques
 Cuves des appareils de chauffage d'appoint à gaz
- e) **Garantie de quatre-vingt-dix (90) jours pour les pièces uniquement :**
 Pièces de rechange

LES GARANTIES PRÉCÉDENTES SONT EXCLUSIVES ET REMPLACENT TOUTES AUTRES GARANTIES, EXPRESSES OU IMPLICITES, COMPRENANT, MAIS NE SE LIMITANT PAS, À TOUTES GARANTIES IMPLICITES DE QUALITÉ MARCHANDE OU DE FINALITÉ PARTICULIÈRE OU TOUS BREVETS OU TOUTES AUTRES ATTEINTES AUX DROITS DE LA PROPRIÉTÉ INTELLECTUELLE. Sans restreindre la portée générale des énoncés précédents, CES GARANTIES NE COUVRENT PAS LES ÉLÉMENTS SUIVANTS : ampoules d'éclairage à incandescence enduites, lumières fluorescentes, ampoules de lampes chauffantes, ampoules d'éclairage à halogène enduites, ampoules de lampes chauffantes au xénon, tubes d'éclairage DEL, composants en verre et fusibles ; défaut de produit dans la cuve d'un appareil de chauffage d'appoint, dans un échangeur de chaleur à tubes à ailettes ou tout autre équipement de chauffage d'eau causé par la calcification, l'accumulation de sédiments, la réaction d'un produit chimique ou le gel ; ou une mauvaise utilisation, une manipulation ou une mauvaise application, une installation inappropriée du Produit ou l'utilisation d'une tension inappropriée.

2. LIMITES DES RECOURS ET DES DOMMAGES

La responsabilité de Hatco et la seule voie de recours de l'Acheteur prévues par les présentes seront limitées exclusivement, au gré de Hatco, à la réparation ou au remplacement à l'aide de pièces ou de Produits nouveaux ou remis à neuf par Hatco ou un centre de réparation agréé par Hatco (sauf si l'Acheteur se situe hors des États-Unis, du Canada, du Royaume-Uni ou de l'Australie, auquel cas la responsabilité de Hatco et la seule voie de recours de l'Acheteur seront limitées exclusivement au remplacement des pièces concernées par la garantie) à l'égard de toute revendication effectuée dans les délais de garantie applicables mentionnés ci-dessus. Hatco se réserve le droit d'accepter ou de rejeter toute réclamation en partie ou dans son intégralité. Dans le cadre de cette Garantie limitée, « remis à neuf » signifie une pièce ou un Produit dont les caractéristiques techniques d'origine ont été restaurées par Hatco ou un centre de réparation agréé par Hatco. Hatco n'acceptera aucun retour de Produits sans qu'il n'ait auparavant donné son accord écrit, et tous ces retours approuvés doivent être effectués aux seuls frais de l'Acheteur. HATCO NE SERA PAS TENU RESPONSABLE, DANS AUCUNE CIRCONSTANCE, DES DOMMAGES CONSÉCUTIFS OU INDIRECTS, COMPRENANT, MAIS NE SE LIMITANT PAS, AUX COÛTS DE MAIN-D'ŒUVRE OU PERTES DE PROFITS DUS À UNE UTILISATION OU À UNE IMPOSSIBILITÉ D'UTILISER LES PRODUITS OU DUS AU FAIT QUE LES PRODUITS ONT ÉTÉ INTÉGRÉS DANS OU QU'ILS SONT DEVENUS UN COMPOSANT DE TOUT AUTRE PRODUIT OU BIEN.

AUTHORIZED PARTS DISTRIBUTORS • DISTRIBUTEURS DE PIÈCES AUTORISÉS

ALABAMA

Jones McLeod Appl. Svc.
Birmingham 205-251-0159

ARIZONA

Tech 24
Phoenix 602-234-2443

Byassee Equipment Co.
Phoenix 602-252-0402

CALIFORNIA

Industrial Electric
Commercial Parts & Service, Inc.
Huntington Beach 714-379-7100

Chapman Appl. Service
San Diego 619-298-7106

P & D Appliance
Commercial Parts & Service, Inc.
S. San Francisco 650-635-1900

COLORADO

Hawkins Commercial Appliance
Englewood 303-781-5548

FLORIDA

Whaley Foodservice Repair
Jacksonville 904-725-7800

Whaley Foodservice Repair
Orlando 407-757-0851

B.G.S.I./Heritage
Pompano Beach 954-971-0456

Comm. Appliance Service
Tampa 813-663-0313

GEORGIA

Heritage Service Group
Norcross 866-388-9837

HAWAII

Burney's Comm. Service, Inc.
Honolulu 808-848-1466

Food Equip Parts & Service
Honolulu 808-847-4871

ILLINOIS

Parts Town
Addison 708-865-7278

Eichenauer Elec. Service
Decatur 217-429-4229

Midwest Elec. Appl. Service
Elmhurst 630-279-8000

Cone's Repair Service
Moline 309-797-5323

IOWA

Goodwin Tucker Group
Des Moines 515-262-9308

KENTUCKY

Tech 24
Lexington 859-254-8854

Tech 24
Louisville 502-451-5411

LOUISIANA

Chandlers Parts & Service
Baton Rouge 225-272-6620

MARYLAND

Electric Motor Service
Baltimore 410-467-8080

MASSACHUSETTS

Ace Service Co., Inc.
Needham 781-449-4220

MICHIGAN

Bildons Appliance Service
Detroit 248-478-3320

Commercial Kitchen Service
Bay City 989-893-4561

Midwest Food Equip. Service
Grandville 616-261-2000

MISSOURI

General Parts
Kansas City 816-421-5400

Commercial Kitchen Services
St. Louis 314-890-0700

Kaemmerlen Parts & Service
St. Louis 314-535-2222

NEBRASKA

Anderson Electric
Omaha 402-341-1414

NEVADA

Burney's Commercial
Las Vegas 702-736-0006

Hi. Tech Commercial Service
N. Las Vegas 702-649-4616

NEW JERSEY

Jay Hill Repair
Fairfield 973-575-9145

Service Plus
Flanders 973-691-6300

NEW YORK

Alpro Service Co.
Maspeth 718-386-2515

Duffy's - AIS
Buffalo 716-884-7425

3Wire
Plattsburgh 800-634-5005

Duffy's - AIS
Sauquoit 800-836-1014

J.B. Brady, Inc.
Syracuse 315-422-9271

NORTH CAROLINA

Authorized Appliance
Charlotte 704-377-4501

OHIO

Akron/Canton Comm. Svc. Inc.
Akron 330-753-6634

Tech 24
Cincinnati 513-772-6600

Commercial Parts and Service
Columbus 614-221-0057

Electrical Appl. Repair Service
Brooklyn Heights 216-459-8700

E. A. Wichman Co.
Toledo 419-385-9121

OKLAHOMA

Hagar Rest. Service, Inc.
Oklahoma City 405-235-2184

OREGON

General Parts Group
Portland 503-624-0890

PENNSYLVANIA

Elmer Schultz Services
Philadelphia 215-627-5401

FAST Comm. Appl. Service
Philadelphia 215-288-4800

AIS Commercial Parts and Service
Pittsburgh 412-809-0244

K & D Service Co.
Harrisburg 717-236-9039

Electric Repair Co.
Reading 610-376-5444

RHODE ISLAND

Marshall Electric Co.
Providence 401-331-1163

SOUTH CAROLINA

Whaley Foodservice Repair
Lexington 803-996-9900

TENNESSEE

Camp Electric
Memphis 901-527-7543

TEXAS

Armstrong Repair Service
Houston 713-666-7100

Cooking Equipment Specialist
Mesquite 972-686-6666

Commercial Kitchen Repair Co.
San Antonio 210-735-2811

UTAH

La Monica's Rest. Equip. Service
Murray 801-263-3221

VIRGINIA

Daubers
Norfolk 757-855-4097

Daubers
Springfield 703-866-3600

WASHINGTON

3Wire
Seattle 800-207-3146

WISCONSIN

A.S.C., Inc.
Madison 608-246-3160

A.S.C., Inc.
Milwaukee 414-543-6460

CANADA

ALBERTA

Key Food Equipment Service
Edmonton 780-438-1690

BRITISH COLUMBIA

Key Food Equipment Service
Vancouver 604-433-4484

Key Food Equipment Service
Victoria 250-920-4888

MANITOBA

Air Rite, Inc.
Winnipeg 204-895-2300

NEW BRUNSWICK

EMR Services, Ltd.
Moncton 506-855-4228

ONTARIO

R.G. Henderson Ltd.
Toronto 416-422-5580

Choquette - CKS, Inc.
Ottawa 613-739-8458

QUÉBEC

Choquette - CKS, Inc.
Montreal 514-722-2000

Choquette - CKS, Inc.
Québec City 418-681-3944

UNITED KINGDOM

Marren Group
Northants +44(0)1933 665313

HATCO CORPORATION

P.O. Box 340500

Milwaukee, WI 53234-0500 U.S.A.

800-558-0607 414-671-6350

support@hatcocorp.com

www.hatcocorp.com

Register your unit online!

See IMPORTANT OWNER INFORMATION
section for details.

S'inscrire en ligne!

Lisez la section INFORMATIONS IMPORTANTES
POUR LE PROPRIÉTAIRE pour plus de informations.