

hatcocorp.com

Register Online!  
(see page 2)

S'inscrire en ligne!  
(voir page 19)

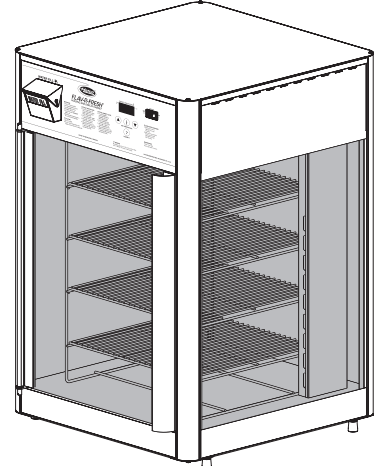
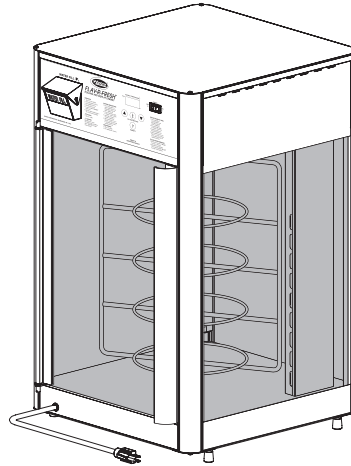
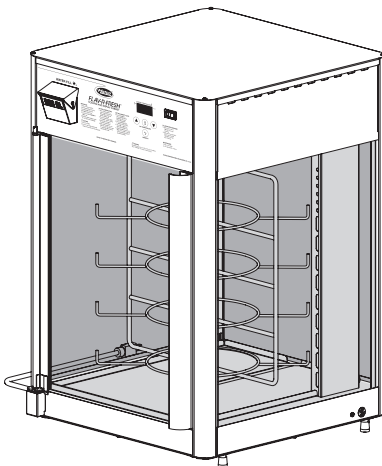


# Flav-R-Fresh<sup>®</sup>

Humidified Impulse Display Cabinets  
Armoires d'exposition avec système  
d'humidification

FDWD Series • Série FDWD

## Installation and Operating Manual Manuel d'installation et d'utilisation



### ⚠ WARNING

Do not operate this equipment unless you have read and understood the contents of this manual! Failure to follow the instructions contained in this manual may result in serious injury or death. This manual contains important safety information concerning the maintenance, use, and operation of this product. If you're unable to understand the contents of this manual, please bring it to the attention of your supervisor. Keep this manual in a safe location for future reference.

English = p 2

### ⚠ ADVERTENCIA

No opere este equipo al menos que haya leído y comprendido el contenido de este manual! Cualquier falla en el seguimiento de las instrucciones contenidas en este manual puede resultar en un serio lesión o muerte. Este manual contiene importante información sobre seguridad concerniente al mantenimiento, uso y operación de este producto. Si usted no puede entender el contenido de este manual por favor pregunte a su supervisor. Almacenar este manual en una localización segura para la referencia futura.

### ⚠ AVERTISSEMENT

Ne pas utiliser cet équipement sans avoir lu et compris le contenu de ce manuel ! Le non-respect des instructions contenues dans ce manuel peut entraîner de graves blessures ou la mort. Ce manuel contient des informations importantes concernant l'entretien, l'utilisation et le fonctionnement de ce produit. Si vous ne comprenez pas le contenu de ce manuel, veuillez le signaler à votre supérieur. Conservez ce manuel dans un endroit sûr pour pouvoir vous y référer plus tard.

Français = p 19

<b>Important Owner Information</b> .....	<b>2</b>	<b>Maintenance</b> .....	<b>12</b>
<b>Introduction</b> .....	<b>2</b>	General.....	12
<b>Important Safety Information</b> .....	<b>3</b>	Daily Cleaning.....	12
<b>Model Description</b> .....	<b>4</b>	Removing the Glass Panels.....	12
<b>Model Designation</b> .....	<b>5</b>	Removing the Rotating Rack.....	12
<b>Specifications</b> .....	<b>5</b>	Draining the Water Reservoir.....	12
Plug Configurations.....	5	Removing Lime and Mineral Deposits.....	13
Electrical Rating Chart.....	5	Replacing an LED Light Strip.....	13
Dimensions.....	6	Setting the De-Liming Detection Mode.....	13
<b>Installation</b> .....	<b>7</b>	<b>Troubleshooting Guide</b> .....	<b>14</b>
General.....	7	Error Codes.....	15
Reversing the Access Door.....	8	<b>Options and Accessories</b> .....	<b>15</b>
Relocating the Proximity Switch.....	9	<b>Limited Warranty</b> .....	<b>18</b>
<b>Operation</b> .....	<b>10</b>	<b>Authorized Parts Distributors</b> .....	<b>Back Cover</b>
General.....	10		
Setting the Air Temperature.....	11		
Setting the Humidity Level.....	11		
Food Holding Guide.....	11		

## IMPORTANT OWNER INFORMATION

Record the model number, serial number, voltage, and purchase date of the unit in the spaces below (specification label located on the ceiling sheet inside of the unit). Please have this information available when calling Hatco for service assistance.

Model No. \_\_\_\_\_

Serial No. \_\_\_\_\_

Voltage \_\_\_\_\_

Date of Purchase \_\_\_\_\_

### Register your unit!

Completing online warranty registration will prevent delay in obtaining warranty coverage. Access the Hatco website at [www.hatcocorp.com](http://www.hatcocorp.com), select the *Support* pull-down menu, and click on "Warranty".

Business Hours: 7:00 AM to 5:00 PM Monday–Friday, Central Time (CT)  
(Summer Hours — June to September: 7:00 AM to 5:00 PM Monday–Thursday, 7:00 AM to 4:00 PM Friday)

Telephone: 800-558-0607; 414-671-6350

E-mail: [support@hatcocorp.com](mailto:support@hatcocorp.com)



24 Hour 7 Day Parts and Service Assistance available in the United States and Canada by calling 800-558-0607.

Additional information can be found by visiting our web site at [www.hatcocorp.com](http://www.hatcocorp.com).

## INTRODUCTION

Hatco Flav-R-Fresh® Humidified Impulse Display Cabinets are designed to hold prepared foods for prolonged periods of time while maintaining that "just-made" quality. Hatco Humidified Impulse Display Cabinets provide the best environment for food products by regulating the air temperature while at the same time balancing the humidity level. The use of controlled, moisturized heat maintains serving temperature and food texture longer than conventional dry holding equipment.

The Flav-R-Fresh air flow pattern is designed to maintain consistent cabinet temperature without drying out foods. The precise combination of heat and humidity creates a "blanket" effect around the food. The air flow rate enables the cabinet to recover temperature rapidly after opening and closing the door.

Hatco Flav-R-Fresh Humidified Impulse Display Cabinets are products of extensive research and field testing. The materials used were selected for maximum durability, attractive appearance and optimum performance. Every unit is inspected and tested thoroughly prior to shipment.

This manual provides installation, safety, and operating instructions for Flav-R-Fresh Humidified Impulse Display Cabinets. Hatco recommends all installation, operating, and safety instructions appearing in this manual be read prior to installation or operation of the unit.

Safety information that appears in this manual is identified by the following signal word panels:



**WARNING** indicates a hazardous situation which, if not avoided, could result in death or serious injury.



**CAUTION** indicates a hazardous situation which, if not avoided, could result in minor or moderate injury.



**NOTICE** is used to address practices not related to personal injury.



Read the following important safety information before using this equipment to avoid serious injury or death and to avoid damage to equipment or property.

**WARNING**

**ELECTRIC SHOCK HAZARD:**

- Plug unit into a properly grounded electrical receptacle of the correct voltage, size, and plug configuration. If plug and receptacle do not match, contact a qualified electrician to determine and install proper voltage and size electrical receptacle.
- Turn OFF power switch, unplug power cord, and allow unit to cool before performing any cleaning, adjustments, or maintenance.
- Unit is not weatherproof. Locate unit indoors where ambient air temperature is a minimum of 70°F (21°C).
- DO NOT submerge or saturate with water. Unit is not waterproof. Do not operate if unit has been submerged or saturated with water.
- Do not steam clean or use excessive water on unit.
- Do not overfill water reservoir. Overfilling can cause electrical shock. Water reservoir is full when “LO H2O” stops flashing on cabinet temperature display. Stop filling when “LO H2O” stops flashing on display.
- Turn OFF power switch and allow unit to cool before draining water reservoir.
- Do not pull unit by power cord.
- Discontinue use if power cord is frayed or worn.
- Do not attempt to repair or replace a damaged power cord. Cord must be replaced by Hatco, an Authorized Hatco Service Agent, or a person with similar qualifications.
- This unit must be serviced by qualified personnel only. Service by unqualified personnel may lead to electric shock or burn.
- Use only Genuine Hatco Replacement Parts when service is required. Failure to use Genuine Hatco Replacement Parts will void all warranties and may subject operators of the equipment to hazardous electrical voltage, resulting in electrical shock or burn. Genuine Hatco Replacement Parts are specified to operate safely in the environments in which they are used. Some aftermarket or generic replacement parts do not have the characteristics that will allow them to operate safely in Hatco equipment.

**FIRE HAZARD Hazard:** Locate unit a minimum of 1” (25 mm) from combustible walls and materials. If safe distances are not maintained, discoloration or combustion could occur.

Make sure food product has been heated to the proper food-safe temperature before placing in unit. Failure to heat food product properly may result in serious health risks. This unit is for holding pre-heated food product only.

**WARNING**

Make sure all operators have been instructed on the safe and proper use of the unit.

This unit is not intended for use by children or persons with reduced physical, sensory, or mental capabilities. Ensure proper supervision of children and keep them away from the unit.

Hatco Corporation is not responsible for the actual food product serving temperature. It is the responsibility of the user to ensure that the food product is held and served at a safe temperature.

This unit has no “user-serviceable” parts. If service is required on this unit, contact an Authorized Hatco Service Agent or contact the Hatco Service Department at 800-558-0607 or 414-671-6350.

**CAUTION**

**BURN HAZARD:** Some exterior surfaces on unit will get hot. Use caution when touching these areas.

Locate unit at the proper counter height in an area that is convenient for use. The location should be level to prevent the unit or its contents from falling accidentally and strong enough to support the weight of the unit and contents.

Transport unit in upright position only. Before moving or tipping unit, secure all glass surfaces with tape and drain water from water reservoir. Failure to do so may result in damage to unit or personal injury.

**NOTICE**

Use of distilled water in the water reservoir of humidified units is recommended to preserve the life of electrical and mechanical components. If non-distilled water is used, the reservoir will require periodic cleaning and deliming (refer to the MAINTENANCE section for cleaning procedure). Unit failure due to lime or mineral deposits is not covered under warranty.

Do not use deionized or reverse osmosis water. It will shorten the life of the water pan and heating element.

Do not lay unit on the side with the control panel. Damage to unit could occur.

Use non-abrasive cleaners and cloths only. Abrasive cleaners and cloths could scratch the finish of the unit, marring its appearance and making it susceptible to soil accumulation.

Clean unit daily to avoid malfunctions and maintain sanitary operation.

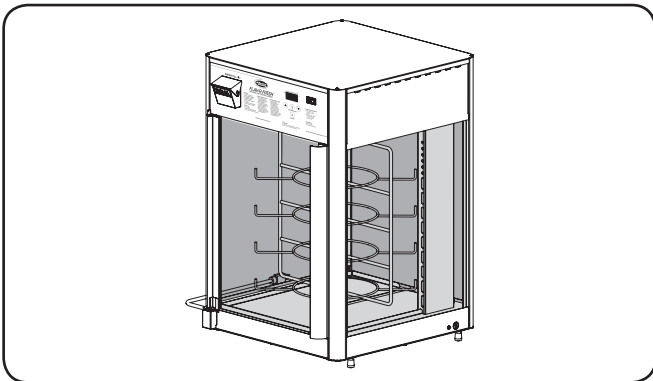
Locate in an area that avoids air current around unit. Avoid areas that may be subject to active air movements or currents (i.e, near exhaust fans/hoods, exterior doors, and air conditioning ducts).

## All Models

All Flav-R-Fresh® Humidified Impulse Display Cabinets have an air heating system, humidity system with low water control protection, LED lights, tempered glass sides, and a door. Units can be configured with or without a humidity system with low water control protection. The standard access door can be hinged left or right. All available display racks are nickel-plated except the pretzel tree display rack, which is stainless steel. All units are available in several *Designer* colors.

### Model FDWD-1

Model FDWD-1 is a single door model with a motorized rotating display. It comes standard with a pizza rack that holds up to four (4) round pizza pans with a maximum diameter of 15" (381 mm). The rotating rack stops automatically when the door is opened. An optional rotating pretzel tree or a 4-shelf multi-purpose stationary rack is available also.



FDWD-1

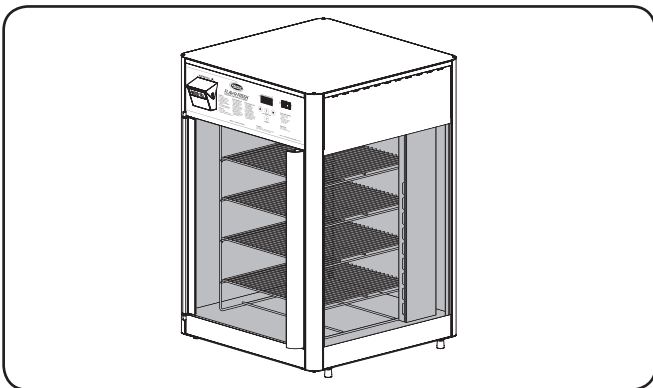
*NOTE: Model FDWD-1 cannot be converted to a model FDWD-2 or FDWD-2X.*

### Model FDWD-2

Model FDWD-2 has the same features as the FDWD-1, but includes an additional door on the opposite side of the controls for pass-through convenience.

### Model FDWD-1X

Model FDWD-1X is similar to the FDWD-1, but features a 4-shelf, multi-purpose stationary rack instead of the motorized rotating display. The rack can hold pans with a maximum width of 13" (330 mm) and a depth of 18" (457 mm).



FDWD-1X

*NOTE: Model FDWD-1X cannot be converted to a model FDWD-1, FDWD-2, or FDWD-2X.*

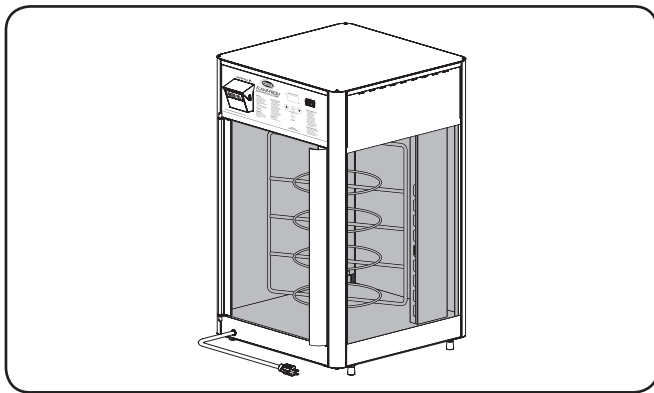
### Model FDWD-2X

Model FDWD-2X has the same features as the FDWD-1X, but includes an additional door on the opposite side of the controls for pass-through convenience.

*NOTE: Model FDWD-2X cannot be converted to a model FDWD-2, FDWD-1, or FDWD-1X.*

### Model FDWD-12-1

Model FDWD-12 has the same features as the FDWD-1, but has a smaller frame with a reduced footprint. This unit holds pizza pans with a maximum diameter of 12" (305 mm). Optional rotating pretzel tree is not available.



FDWD-12-1

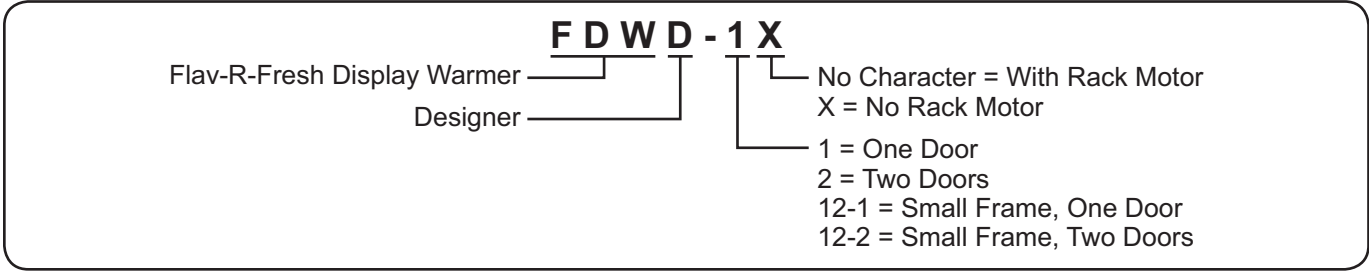
### Model FDWD-12-1X

Model FDWD-12-1X is similar to the FDWD-12-1, but features a 4-shelf, multi-purpose stationary rack instead of the motorized rotating display. The rack can hold pans with a maximum width of 13" (330 mm) and a depth of 16" (406 mm).

### Model FDWD-12-2X

The FDWD-12-2X has the same features as the FDWD-12-1X, but includes an additional door on the opposite side of the controls for pass-through convenience.

*NOTE: Refer to the OPTIONS AND ACCESSORIES section in this manual for additional options available for the above models.*



**SPECIFICATIONS**

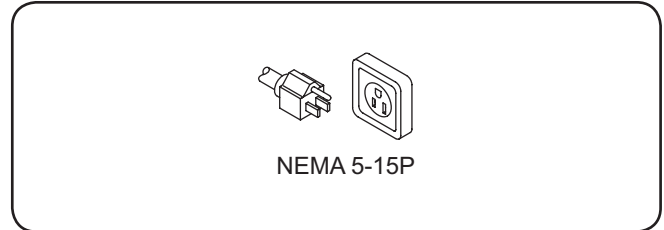
**Plug Configurations**

Units are supplied from the factory with an electrical cord and plug installed. Plugs are supplied according to the applications.



**ELECTRIC SHOCK HAZARD:** Plug unit into a properly grounded electrical receptacle of the correct voltage, size, and plug configuration. If plug and receptacle do not match, contact a qualified electrician to determine and install the proper voltage and size electrical receptacle.

*NOTE: Specification label is located on the ceiling sheet inside of the unit. See label for serial number and verification of unit electrical information.*



Plug Configurations

*NOTE: Receptacle not supplied by Hatco.*

**Electrical Rating Chart**

Model	Voltage	Watts	Amps	Plug Configuration	Shipping Weight
FDWD-1, -1X, -2, -2X (with humidity)	120	1360	11.3	NEMA 5-15P	90 lbs. (41 kg)
FDWD-1, -1X, -2, -2X (no humidity)		1035	8.6		
FDWD-12-1X, -2X (with humidity)	120	1360	11.3	NEMA 5-15P	98 lbs. (44 kg)
FDWD-12-1X, -2X (no humidity)		1035	8.6		

## Dimensions

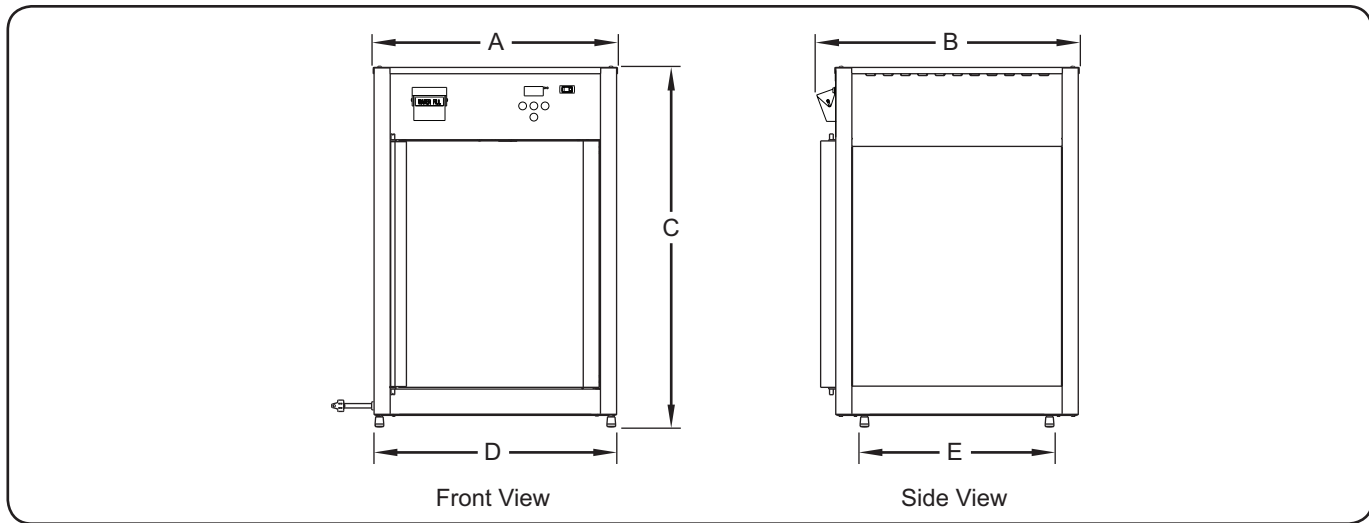
Model	Width (A)	Depth (B)	Height (C)*	Footprint Width (D)	Footprint Depth (E)
FDWD-1	19-3/8" (492 mm)	20-7/8" (530 mm)	28-5/8" (727 mm)	19-1/16" (485 mm)	15-3/8" (390 mm)
FDWD-1X	19-3/8" (492 mm)	20-7/8" (530 mm)	28-5/8" (727 mm)	19-1/16" (485 mm)	15-3/8" (390 mm)
FDWD-2	19-3/8" (492 mm)	22" (559 mm)	28-5/8" (727 mm)	19-1/16" (485 mm)	15-3/8" (390 mm)
FDWD-2X	19-3/8" (492 mm)	22" (559 mm)	28-5/8" (727 mm)	19-1/16" (485 mm)	15-3/8" (390 mm)
FDWD-12-1 FDWD-12-1X	17-1/2" (445 mm)	19-1/8" (486 mm)	28-5/8" (727 mm)	17-3/8" (441 mm)	13-11/16" (348 mm)
FDWD-12-2X	17-1/2" (445 mm)	19-7/8" (506 mm)	28-5/8" (727 mm)	17-3/8" (441 mm)	13-11/16" (348 mm)

**Cabinet Openings:**

FDWD-1, -1X, -2, -2X = 15-3/4" W x 19-3/4" H (400 x 502 mm)

FDWD-12-1, -12-1X, -12-2X = 14" W x 19-3/4" H (356 x 502 mm)

\* Add 3" (76 mm) to Height (C) of the unit if the 4" (102 mm) leg option is installed.



## General

Flav-R-Fresh® Humidified Impulse Display Cabinets are shipped with most components installed and ready for operation. The following installation instructions must be performed before plugging in and operating this unit.

### ⚠ WARNING

**ELECTRIC SHOCK HAZARD: Unit is not weatherproof. Locate unit indoors where the ambient air temperature is a minimum of 70°F (21°C).**

**FIRE HAZARD: Locate unit a minimum of 1" (25 mm) from combustible walls and materials. If safe distances are not maintained, discoloration or combustion could occur.**

### ⚠ CAUTION

Locate unit at the proper counter height in an area that is convenient for use. The location should be level to prevent the unit or its contents from falling accidentally and strong enough to support the weight of the unit and contents.

Transport unit in upright position only. Before moving or tipping unit, secure all glass surfaces with tape and drain water from water reservoir. Failure to do so may result in damage to unit or personal injury.

1. Remove the unit from the carton. Two people are required for this step.

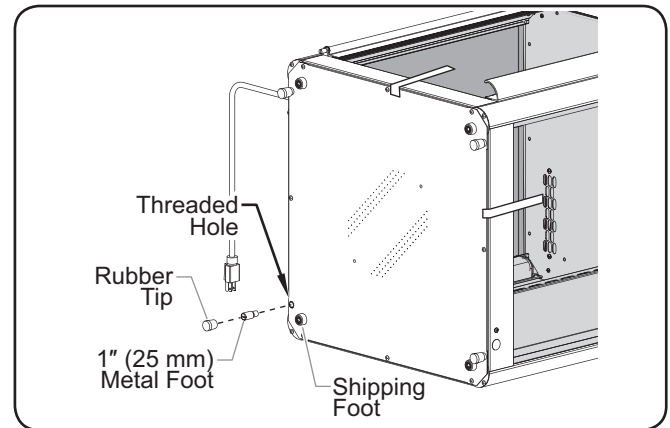
*NOTE: To prevent delay in obtaining warranty coverage, complete online warranty registration. See the IMPORTANT OWNER INFORMATION section for details.*

2. Remove the rack from the unit.
3. Install the four 1" (25 mm) metal, screw-type feet and rubber tips (both included with unit). To install:

### NOTICE

**Do not lay unit on the side with the control panel. Damage to unit could occur.**

- a. Make sure all glass sides and doors are secure with tape. Lay the unit on its side.
- b. Screw the 1" (25 mm) feet into the threaded holes near each corner of the unit. Tighten securely.
- c. Place a rubber tip over each foot.
- d. Return the unit to its upright position.



Installing the 1" (25 mm) Feet

*NOTE: If installing 4" (102 mm) legs, do not remove glass protection until leg installation is complete. See the OPTIONS AND ACCESSORIES section for installation instructions.*

4. Remove tape and protective packaging from all surfaces of the unit, shelves, and any accessories.
  - Floor Sheet — The stainless steel floor in all cabinets is protected during shipping with a sheet of corrugated cardboard. This protection must be removed prior to cabinet operation.
  - Display Racks — The display racks have packing material and cardboard attached for protection during shipping. This protection must be removed prior to cabinet operation.
  - Glass Panels — The cabinets have tempered glass panels that are protected during shipping with foamed tape to hold the panels securely. All tape must be removed prior to cabinet operation.
5. Place the unit in the desired location. Two people are required for this step.
  - Locate the unit in an area where the ambient air temperature is constant and a minimum of 70°F (21°C). Avoid areas that may be subject to active air movements or currents (i.e., near exhaust fans/hoods, air conditioning ducts, drive-through windows, exterior doors).
  - Make sure the unit is at the proper counter height in an area convenient for use.
  - Make sure the countertop is level and strong enough to support the weight of the unit and food product.

## Reversing the Access Door

The Flav-R-Fresh access door(s) may be hinged on either the left or right side for convenience. Use the following procedure to reverse the access door.

**NOTE:** The last four digits in a ten digit numerical serial number are the manufacturing date code.

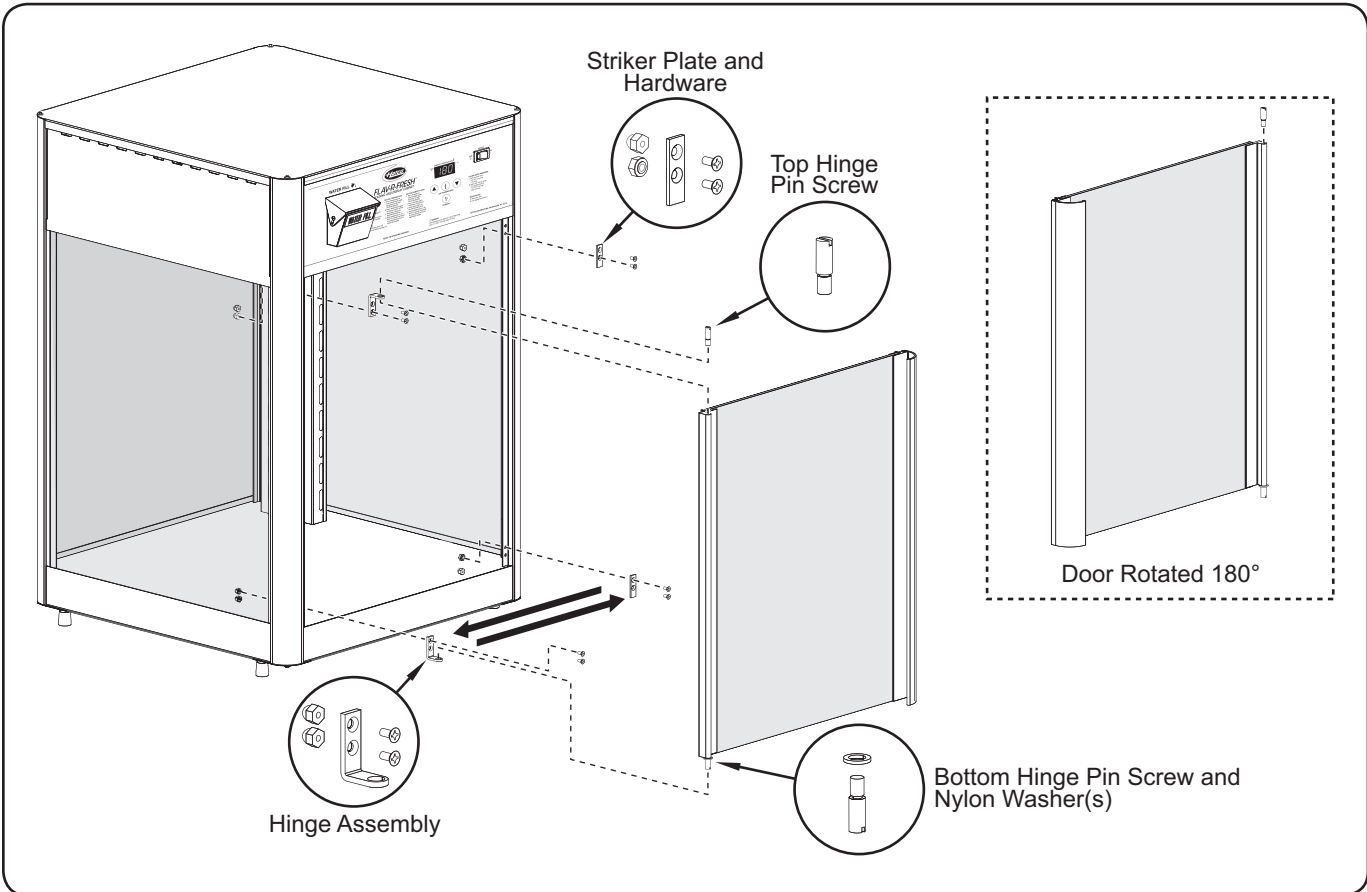
Example: Serial number 9625061331 has a date code of "1331" which indicates:



**NOTE:** For models with a date code of 1829 or older and equipped with a motorized rotating rack (FDWD-1, FDWD-2, and FDWD-12-1), the "Relocating the Proximity Switch" procedure in this section must be performed after reversing the access door(s).

1. Remove the top hinge pin screw that holds the door to the hinge bracket.
2. Tip the door assembly forward (away from cabinet) and lift gently to clear the bottom hinge bracket. Remove the nylon washer(s).
3. Reinstall the top hinge pin screw.

4. Remove the screws holding the hinge brackets to the cabinet.
5. Remove the screws from the striker plates on the non-hinge side of the cabinet.
6. Install the striker plates on the opposite side of the cabinet where the hinge brackets were previously mounted.
7. Install the hinges on the opposite side of the cabinet where the striker plates were previously mounted using the original hinge bracket mounting screws.
8. Carefully rotate the door 180°.
9. Remove the hinge pin screw from the end that is now the top.
10. Carefully place the door assembly with the nylon washer(s) into the bottom hinge bracket.
11. Tip/tilt the door assembly towards the cabinet and align the door top with the hinge bracket. Reinstall the top door hinge pin screw through the hinge bracket and into the door top.



Reversing the Access Door



## Relocating the Proximity Switch (Rotating Rack Models Only) Date Code 1829 or older

**NOTE:** The last four digits in a ten digit numerical serial number are the manufacturing date code.

**Example:** Serial number 962506**1331** has a date code of "1331" which indicates: 1331

└─ Week Thirty-One  
└─ Year 2013

Units equipped with a rotating rack will require relocating the proximity switch(es) after reversing the door(s).

The proximity switch signals the rack motor to stop when a door is opened and to start when the door is closed. Follow the steps listed below to move the proximity switch(es) to the proper position after reversing the door(s). Unit requires one switch per door.

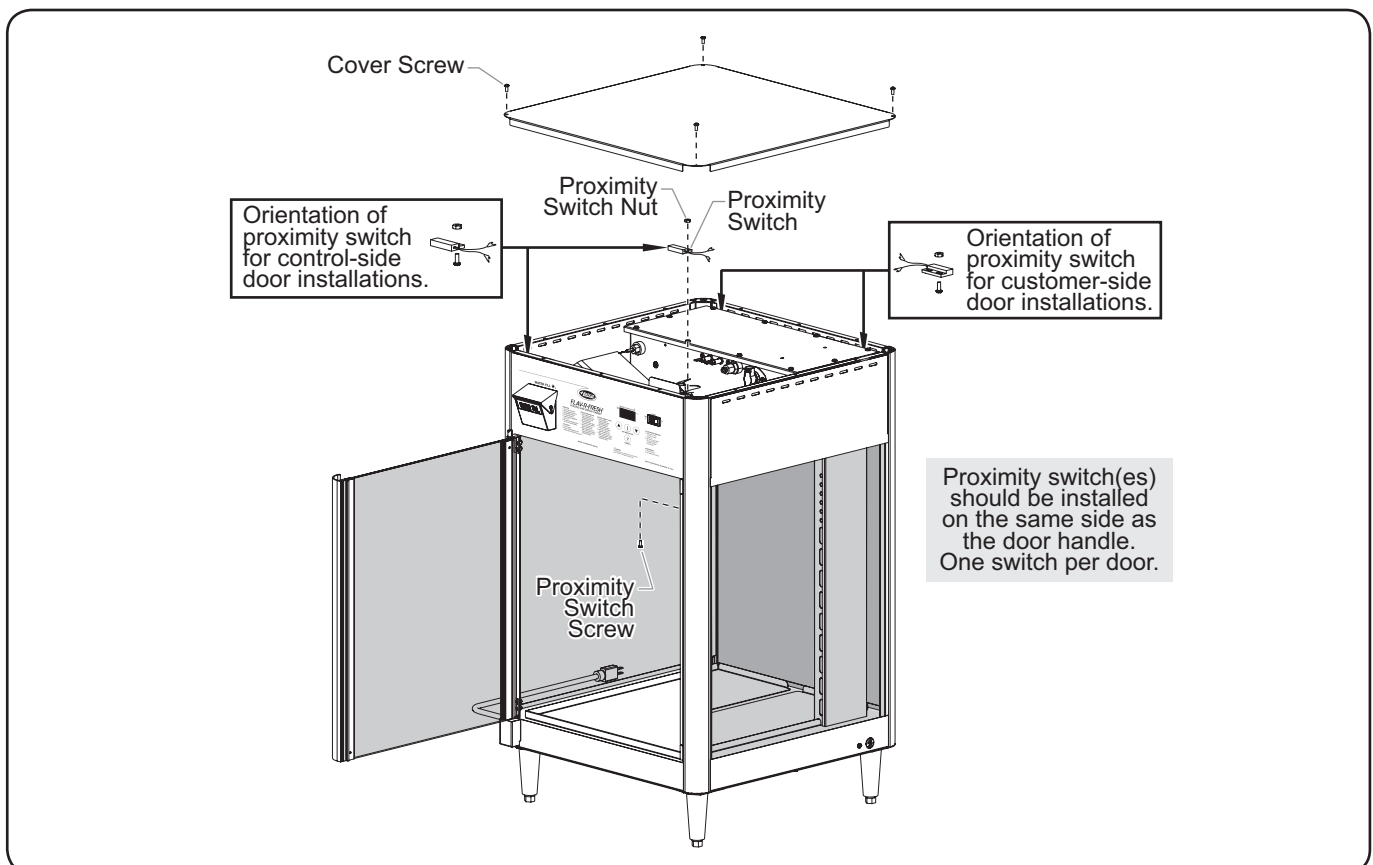
1. Turn off the unit and unplug the unit from the power source.
2. Remove the four screws and top cover.
3. Remove the screw and nut securing the proximity switch to the cabinet ceiling sheet. The screw is accessed from inside the cabinet. Reinstall screw and nut into hole after removing switch.
4. Cut the cable tie securing the proximity switch wires to the wiring harness. Mark the two wires for reassembly and unplug the wires from the proximity switch wire leads. Route the wires to the opposite corner and reattach the wires to the switch wire leads.

**NOTE:** Make sure to install the proximity switch in the orientation shown below for the specific installation location. Incorrect orientation will result in malfunction of the proximity switch.

5. Remove the screw and nut from the new mounting hole. Secure the proximity switch to the mounting hole with the screw and nut. Make sure to maintain proper switch orientation when tightening the hardware.
6. Make sure wires do not interfere with the other components inside the cabinet, then secure switch wires to wiring harness with a cable tie (not supplied).

**NOTE:** On models equipped with two doors, it may be necessary to move the air chamber to access the proximity switch on the customer-side door. Drain all water from the unit, remove the drain valve from inside the cabinet, and remove the four screws securing the air chamber assembly to the cabinet. Carefully move the air chamber out of the way to access the proximity switch. Reassemble after relocating switch.

7. Install the top cover and four screws.
8. Plug the unit into the proper power source.
9. Turn on the unit and test the operation of the proximity switch(es) by making sure the rack rotates when the doors are closed and stops rotating when a door is opened.



Relocating the Proximity Switch (one door, left-hinged installation shown)

## General

Use the following procedures to operate Flav-R-Fresh® Humidified Impulse Display Cabinets.



### WARNING

Read all safety messages in the **IMPORTANT SAFETY INFORMATION** section before operating this equipment.

## Startup

1. Plug unit into a properly grounded electrical receptacle of the correct voltage, size, and plug configuration. See the SPECIFICATIONS section for details.
2. Move the Power I/O (on/off) switch to the I (on) position.
  - The display lights will turn on and the heating system will start up.
  - On humidified units, the cabinet temperature display will flash “LO H2O” four times and then flash the cabinet temperature. It will continue to alternate this way until the water reservoir is filled. Once the reservoir is full, “LO H2O” will stop flashing and the display will show the cabinet temperature.



### NOTICE

Use of distilled water in the water reservoir of humidified units is recommended to preserve the life of electrical and mechanical components. If non-distilled water is used, the reservoir will require periodic cleaning and deliming (refer to the MAINTENANCE section for cleaning procedure). Unit failure due to lime or mineral deposits is not covered under warranty.

Do not use deionized or reverse osmosis water. It will shorten the life of the water pan and heating element.

*NOTE: Unit failure caused by deionized or reverse osmosis water is not covered by warranty.*

3. On humidified units, fill the water reservoir with clean water. To fill the reservoir:
  - a. Lift up the fill cup cover and pull forward.
  - b. Slowly pour the water into the cup until “LO H2O” stops flashing on the cabinet temperature display.

## IMPORTANT NOTE

When using distilled water, add one teaspoon of salt to the water reservoir during the initial water fill only. This will ensure proper operation of the water level sensors.



### WARNING

**ELECTRIC SHOCK HAZARD: Do not overfill water reservoir. Overfilling can cause electrical shock. Water reservoir is full when “LO H2O” stops flashing on cabinet temperature display. Stop filling when “LO H2O” stops flashing on display.**

*NOTE: On the initial fill, the water reservoir capacity is 80 ounces or 2-1/2 quarts (2.3 liters).*

4. On humidified units, set the humidity to the desired level (refer to the “Setting the Humidity Level” procedure in this section). See the “Food Holding Guide” for recommendations.
5. Set the air temperature to the desired temperature (refer to the “Setting the Air Temperature” procedure in this section). See the “Food Holding Guide” for recommendations.
6. Allow the unit 20 minutes to reach operating temperature before loading the cabinet with pre-heated food product.

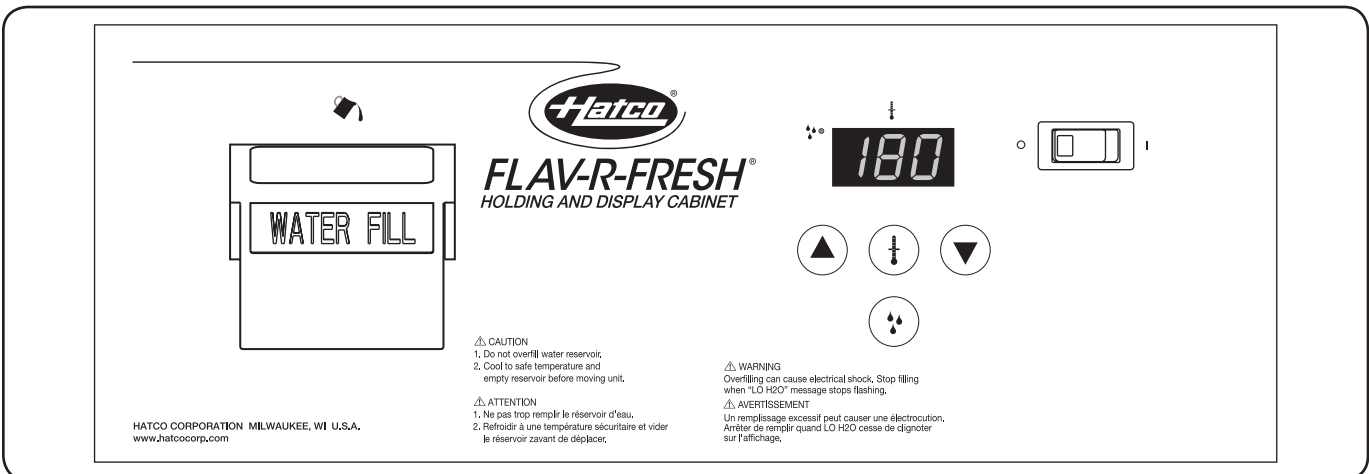


### WARNING

Make sure food product has been heated to the proper food-safe temperature before placing in unit. Failure to heat food product properly may result in serious health risks. This unit is for holding pre-heated food product only.






Hatco Corporation is not responsible for the actual food product serving temperature. It is the responsibility of the user to ensure that the food product is held and served at a safe temperature.

**BURN HAZARD: Some exterior surfaces on the unit will get hot. Use caution when touching these areas.**








Flav-R-Fresh Control Panel

### Setting the Air Temperature

1. Press the  key (air temperature) to enter temperature mode (“tSP” will appear on the cabinet temperature display).
2. Press the  key again to show the current temperature setting.
3. Press the  key or  key to reach the desired temperature. The temperature range is 80°–195°F (27°–91°C) in single degree increments. See the “Food Holding Guide” in this section for recommendations.
4. Press the  key to save the setting.
5. After the desired temperature is set, wait 15 seconds without pushing any keys for the cabinet temperature display to return automatically to operational mode.

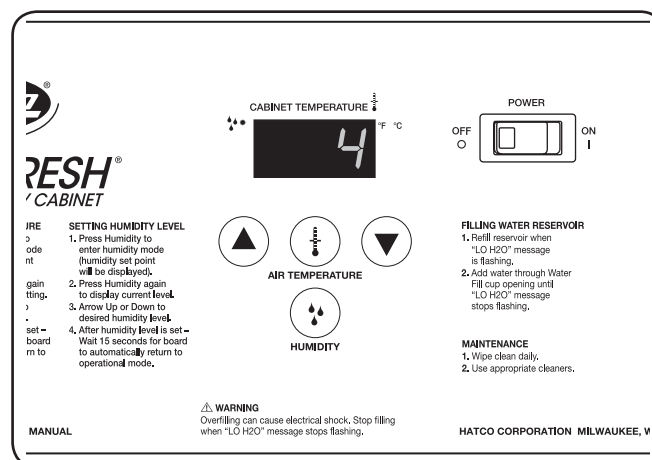
### Setting the Humidity Level

Use the following procedure to set the humidity level on humidified units.

1. Press the  key (humidity) to enter humidity mode (“hSP” will appear on the cabinet temperature display).
2. Press the  key again to show the current humidity level.
3. Press the  key or  key to reach the desired humidity level. Humidity range is 0 through 5 (0 is no humidity, 1 is the lowest amount of humidity, and 5 is the highest). See the “Food Holding Guide” in this section for recommendations.
4. Press the  key to save the setting.
5. After the desired humidity level is set, wait 15 seconds without pushing any keys for the cabinet temperature display to return automatically to operational mode.

**NOTE:** Temperature and humidity settings may vary depending upon product make-up and consistency. The cabinet temperature display shows the lowest temperature point inside the cabinet, not the product temperature.

The capacity of the water reservoir permits uninterrupted operation for approximately 3–6 hours, depending on the settings and how frequently the door is opened. When “LO H2O” is flashing on the cabinet temperature display, add water to the reservoir. The water reservoir refill capacity is approximately 64 ounces, or two (2) quarts (1.9 liters). **WARNING! ELECTRIC SHOCK HAZARD—Do not overfill water reservoir.**



Control Panel

### Food Holding Guide

Type of Food	Maximum Holding Time	Humidity Setting	Temperature	
			°F	°C
Biscuits	4 Hours	4	130	55
Chicken Pieces (Fried)	4 Hours	5	175	80
Croissants	4 Hours	1	140	60
Fruit Pies	3-1/2 Hours	4	140	60
Onion Rings	1/2 to 1 Hour	1	175	80
Pizza — Thick Crust	1 Hour	4	185	85
Thin Crust	1 Hour	5	180	82
Pretzels	3 Hours	4	140	60
Wrapped Sandwiches	2 Hours	4	180	82

**NOTE:** All times and settings are recommendations only and may vary depending on product preparation, cooking time, and internal food temperature.

## General

Hatco Flav-R-Fresh® Humidified Impulse Display Cabinets are designed for maximum durability and performance, with minimum maintenance.



### ELECTRIC SHOCK HAZARD:

- Turn OFF power switch, unplug power cord, and allow unit to cool before performing any cleaning, setup, or maintenance.
- DO NOT submerge or saturate with water. Unit is not waterproof. Do not operate if unit has been submerged or saturated with water.
- Do not steam clean or use excessive water on unit.
- Use only Genuine Hatco Replacement Parts when service is required. Failure to use Genuine Hatco Replacement Parts will void all warranties and may subject operators of the equipment to hazardous electrical voltage, resulting in electrical shock or burn. Genuine Hatco Replacement Parts are specified to operate safely in the environments in which they are used. Some aftermarket or generic replacement parts do not have the characteristics that will allow them to operate safely in Hatco equipment.

This unit has no “user-serviceable” parts. If service is required on this unit, contact an Authorized Hatco Service Agent or contact the Hatco Service Department at 800-558-0607 or 414-671-6350.

## Daily Cleaning

To preserve the finish of the Display Cabinet, perform the following cleaning procedure daily.

### NOTICE

Use non-abrasive cleaners only. Abrasive cleaners could scratch the finish of the unit, marring its appearance and making it susceptible to soil accumulation.

1. Turn off the unit, unplug the power cord, and allow the unit to cool.
2. Remove and wash all food pans.
3. Wipe down all interior and exterior metal surfaces with a damp, non-abrasive cloth. Stubborn stains may be removed with a good non-abrasive cleaner. Clean hard to reach areas using a small brush and mild soap.

*NOTE: Both the rotating display rack and the stationary rack are removable for cleaning, if necessary. Refer to the “Removing the Rotating Rack” procedure in this section for removal.*

4. Wipe dry the entire unit using a clean and dry, non-abrasive cloth.
5. Clean the glass side panels and door panel(s) using ordinary glass cleaner and a damp, soft cloth or paper towel. The side panels are removable for detailed cleaning, if necessary. Refer to the “Removing the Glass Panels” procedure in this section for removal.

## Removing the Glass Panels

1. Lift the glass panel out of the bottom channel of the cabinet.
2. Pull the lower edge away from the cabinet.
3. Carefully lower the glass until the top clears the cabinet.

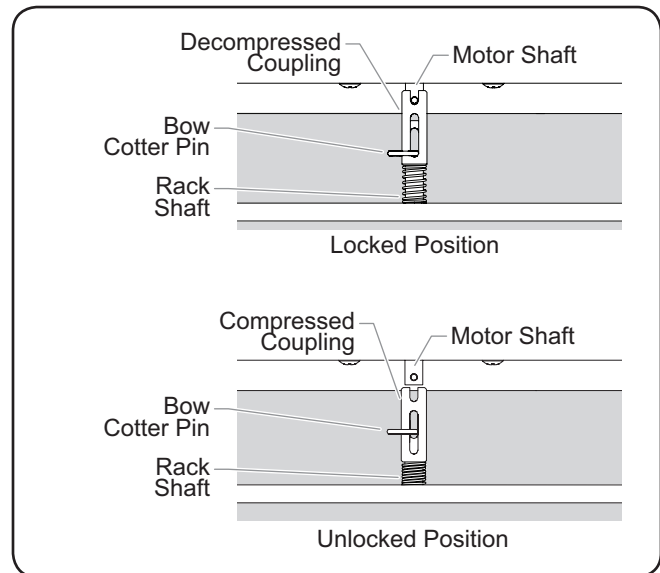
## Replacing the Glass Panel

1. Position the glass panel with the top edge under the top cabinet lip, and raise the glass until it clears the bottom channel of the cabinet.
2. Move the bottom of the glass towards the cabinet until the glass rests against the cabinet frame.
3. Carefully lower the glass until it rests in the bottom channel of the cabinet.

## Removing the Rotating Rack (FDWD-1, FDWD-2, and FDWD-12-1 Models)

1. Open the front access door.
2. Pull down the spring-mounted coupling to compress.
3. Tip the rack until the rack shaft clears the motor shaft.

*NOTE: Do not remove the bow cotter pin from the rack shaft.*



Removing Motorized Display Racks

## Replacing the Rotating Rack

1. Insert the rack into the cabinet and place the rack bottom point in the dimple located at the center of the cabinet floor.
2. Pull down the spring-mounted coupling to compress.
3. Tip the rack to line up the rack shaft with the motor shaft pin.
4. Decompress the spring-mounted coupling until the coupling is locked in place with the motor shaft pin.

## Draining the Water Reservoir

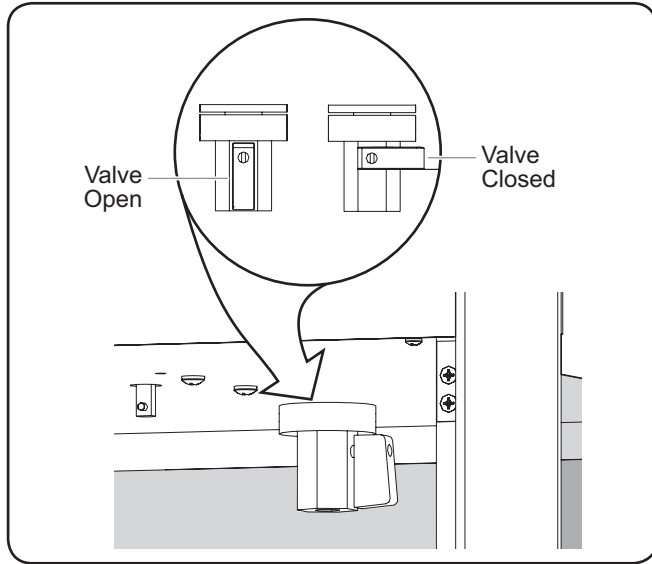
On humidified units, the water reservoir must be drained prior to moving the cabinet as well as during the “Removing Lime and Mineral Deposits” procedure.



**ELECTRIC SHOCK HAZARD: Turn the power switch OFF, unplug the power cord, and allow the unit to cool before performing any maintenance or cleaning.**

1. Move the Power I/O (on/off) switch to the **O** (off) position and unplug the power cord. Allow the unit to cool.

2. Locate the valve inside the cabinet on the underside of the ceiling sheet. **CAUTION! BURN HAZARD—Ceiling sheet and water in reservoir are hot during operation. Allow to cool before draining.**
3. Remove the rack from the unit.
4. Position a one gallon (four liter) container under the valve.
5. Turn the valve handle from the horizontal position (closed) to the vertical position (open) to drain the reservoir.
6. Once the reservoir is empty, return the valve handle to the closed position.
7. Replace the rack.



Draining Reservoir Valve

**NOTE:** If the water used has an excessive amount of lime or mineral content, follow the “Removing Lime and Mineral Deposits” procedure for periodic cleaning and deliming of the water reservoir.

**NOTE:** Unit failure caused by liming or sediment buildup is not covered under warranty.

### Removing Lime and Mineral Deposits

Use the following procedure for periodic cleaning and de-liming of the water reservoir on humidified models.

**NOTE:** The lime and mineral content of the water used for daily operation will determine how often the deliming procedure must be performed.

**NOTE:** Perform this procedure when the unit will not be used for a period of time, such as the end of the day.

1. Move the Power I/O (on/off) switch to the **O** (off) position and unplug the power cord. Allow the unit to cool.
2. After the unit has cooled down, perform the “Draining the Water Reservoir” procedure in this section.
3. Fill the water reservoir with a mixture of 75% water and 25% white vinegar. Do not use flavored vinegar.
4. Plug in and turn on the unit.
5. Set both the air temperature and humidity to their highest settings and allow the unit to run for 30 minutes.

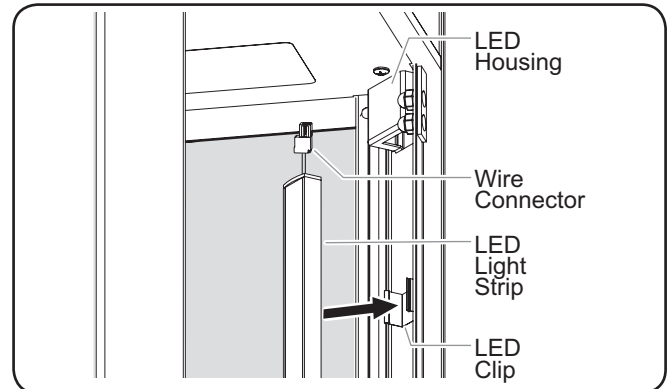
6. Move the Power I/O (on/off) switch to the **O** (off) position and unplug the power cord. Allow the unit to cool.
7. Perform the “Draining the Water Reservoir” procedure to empty the deliming solution from the water reservoir.
8. Continue to fill and drain the water reservoir with clean water until the deliming solution is rinsed through and the reservoir is clean.
9. Replace the rack.
10. Plug the unit into its power source and fill the reservoir as usual for daily operation using the procedure in the OPERATION section of this manual.

### Replacing an LED Light Strip

Units are equipped with two LED light strips that illuminate the warming area. When replacing an LED light strip, use Hatco P/N 04.29.406.00.

Use the following procedure to replace an LED light strip.


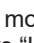
1. Turn off the unit, unplug the power cord, and allow the unit to cool.
2. Pull the LED light strip from the clips securing it to the corner.
3. Pull the top of the LED strip down and out of the LED housing to expose the wire connectors.
4. Disconnect the wire connectors from the LED light strip being replaced.
5. Connect the wire connectors from the new LED light strip.
6. Push the wiring and the top of the LED light strip up into the LED housing.
7. Insert the LED light strip into the clips to secure it.



Replacing an LED Light Strip (Door Removed for Clarity)

### Setting the De-Liming Detection Mode

When de-liming detection mode is enabled, the controller will indicate the presence of excessive lime build-up in humidified models by showing “DE-L” on the CABINET TEMPERATURE display. Use the following procedure to set de-liming detection mode “on” or “off.”

1. Press and hold either the  key or  key for four seconds.
  - When de-liming detection mode is enabled, the cabinet temperature display shows “L-ON” for three seconds.
  - When de-liming detection mode is disabled, the cabinet temperature display shows “L-OFF” for three seconds.



**WARNING**

This unit must be serviced by trained and qualified personnel only. Service by unqualified personnel may lead to electric shock or burn.



**WARNING**

**ELECTRIC SHOCK HAZARD:** Turn OFF power switch, unplug power cord, and allow unit to cool before performing any cleaning, adjustments, or maintenance.

Symptom	Probable Cause	Corrective Action
LED lights not working.	Loose wire connection.	Verify wire connection is secure.
	LED driver defective.	Contact Authorized Service Agent or Hatco for assistance.
	LED light strip defective.	Replace the LED light strip. Refer to the "Replacing an LED Light Strip" in the MAINTENANCE section.
Unit operates, but is not circulating air inside cabinet.	Blower motor is defective.	Contact Authorized Service Agent or Hatco for assistance.
	The correct voltage may not be supplied to blower.	
Unit is plugged in, but nothing works.	No power to unit.	Check electrical receptacle and verify that power supply matches specifications on unit. If receptacle is not working, check circuit breaker and reset, or plug unit into a different known working receptacle.
	Power cord connections are loose or disconnected.	Contact Authorized Service Agent or Hatco for assistance.
	Power cord is damaged.	
	Defective ON/OFF (I/O) switch.	
Unit is operational, but rotating rack (if equipped) does not turn.	Proximity switch was not relocated after door reversal.	See "Relocating the Proximity Switch" in the INSTALLATION section of this manual.
	Proximity magnet or proximity switch not working properly.	Contact Authorized Service Agent or Hatco for assistance.
	Incorrect voltage is supplied to rack motor.	
	Rack motor defective.	
Unit is not producing any "hot air" inside cabinet.	Safety high-limit is tripped or open.	Contact Authorized Service Agent or Hatco for assistance.
	Incorrect voltage supplied to heating element.	
	Blower motor is not working.	
	Air heating element is defective.	
	Control board defective.	
	Temperature probe defective.	
Unit is heating, but is producing too much humidity inside the cabinet causing steam inside unit.	Humidity control is set too high.	Adjust the humidity control to a lower setting.
	Air temperature is set too low.	Adjust the temperature to a higher setting.
	Humidity control is defective.	Contact Authorized Service Agent or Hatco for assistance.
Unit is heating, but is not producing humidity inside cabinet. 'LO H2O' is not flashing, and unit is full of water.	Incorrect voltage supplied to water heating element or heating element is defective.	Contact Authorized Service Agent or Hatco for assistance.
	Humidity element defective.	
Unit is heating, but is not producing humidity inside cabinet. 'LO H2O' is flashing, and unit is full of water.	When using distilled water, no minerals are being sensed by low water probe.	Add one teaspoon of salt to the water reservoir.
	Low water protection system is malfunctioning.	Contact Authorized Service Agent or Hatco for assistance.
	Probes have lime buildup.	Refer to "Removing Lime and Mineral Deposits" procedure in the MAINTENANCE section to remove lime.

## Error Codes

The following error codes may appear on the digital display to indicate an error in the operating condition of the unit.

**LO H20** = Low water probe does not detect water. Refill water reservoir — refer to instructions in OPERATION section of this manual.

**E1** = Air temperature sensor malfunctioning. Contact Authorized Service Agent or Hatco for assistance.

**E2** = Humidity sensor malfunctioning. Contact Authorized Service Agent or Hatco for assistance.

**dE-L** = Water reservoir needs de-liming. Refer to the “Removing Lime and Mineral Deposits” procedure in the MAINTENANCE section of this manual to clean and de-lime the water reservoir. Refer to the “Setting the De-liming Detection Mode” procedure in the MAINTENANCE section of this manual to set the de-liming detection mode “on” or “off.” Contact Authorized Service Agent or Hatco for assistance.

## Troubleshooting Questions?

If you continue to have problems resolving an issue, please contact the nearest Authorized Hatco Service Agency or Hatco for assistance. To locate the nearest Service Agency, log onto the Hatco website at [www.hatcocorp.com](http://www.hatcocorp.com), select the *Support* pull-down menu, and click on “Find A Service Agent”; or contact the **Hatco Parts and Service Team** at:

**Telephone: 800-558-0607 or 414-671-6350**

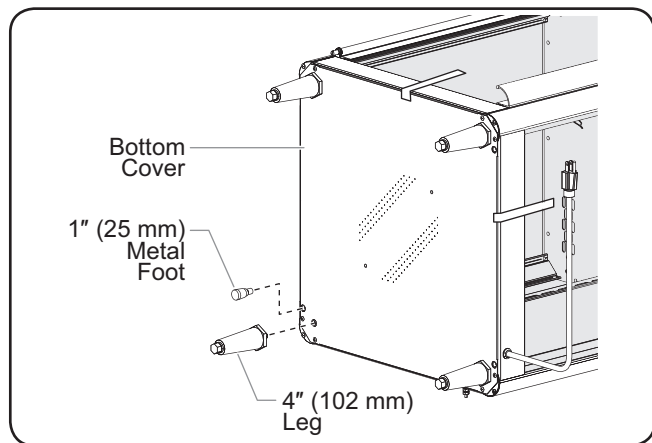
**e-mail: [support@hatcocorp.com](mailto:support@hatcocorp.com)**

## OPTIONS AND ACCESSORIES

### 4" (102 mm) Adjustable Legs

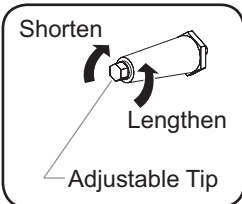
The 4" (102 mm) adjustable legs are used to add additional height to the unit.

1. Remove the rack from the unit.
2. Secure all glass sides and doors with tape. Lay the unit down on a side without controls or doors.
3. Remove the four 1" (25 mm) metal screw-type feet.



Installation of 4" (102 mm) Legs

4. Screw the 4" (102 mm) legs into the holes in the middle of each corner on the bottom cover. After all the legs are tightened, return the unit to its upright position. If the unit is not level or rocks, turn the adjustable tip of the appropriate leg to level the unit.

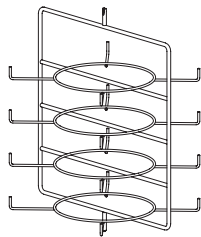


### LED Lights

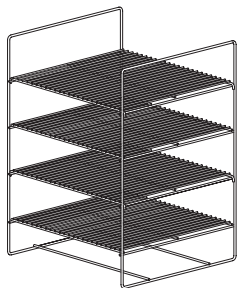
LED lights are available as accessories and come in two color output options: Warm White (standard) and Neutral White.

## Display Racks

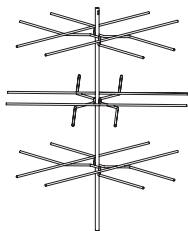
Several display racks are available to “customize” Flav-R-Fresh® to specific foodservice operations. All are nickel-plated except the pretzel tree, which is stainless steel.



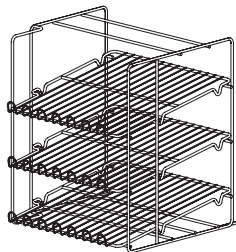
**4-Shelf Circle Rack with Retainers\***  
Model FDWD4TCRR  
3-1/4" (83 mm) opening between racks.  
Max. 15" (381 mm) diameter pans.



**4-Shelf Multi-Purpose Rack**  
Model FDW4SMP  
3-3/4" (95 mm) opening between shelves.  
1st and 3rd shelves are removable.



**3-Tier Pretzel Tree\***  
Model FDW3TPT  
5-7/8" (149 mm) opening between racks.



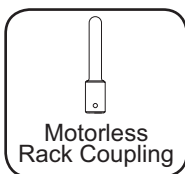
**3-Shelf Angle Rack**  
Model FDW3SAR  
3-3/4" (95 mm) opening between racks.

\*Racks designed for use with motorized display.

Display Racks

## Motorless Rack Coupling

The motorless rack coupling allows the stationary installation of a 4-tier circle rack or 3-tier pretzel tree in cabinets that do not have a rack motor (FDWD-1X and -2X).



## Sign Holders

### (FDWD-1, FDWD-1X, FDWD-2, and FDWD-2X)

Use the following procedures to install a Display Sign Holder.



**ELECTRIC SHOCK HAZARD: Turn the power switch OFF, unplug the power cord, and allow the unit to cool before performing any maintenance or cleaning.**

### One-Sided and Control-Side Sign Holder Installation

One-sided and control-side sign holders are available as options.

One-Sided Sign Holders can be installed on any side of the unit except the control side. Up to three One-Sided Sign Holders can be installed on a unit. There are two height sizes available for one-sided sign holders, 3" (76 mm) and 6-3/8" (162 mm).

Control-side sign holders are installed only on the control side. The sign must be slid out of the sign holder to access the controls and water fill cup. Control-side sign holders are 6-3/8" (162 mm) in height.

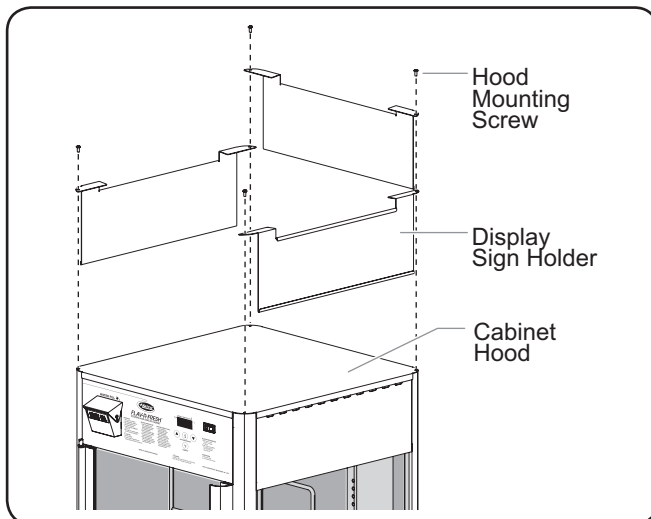
Sign Holders are available in all *Designer* colors to match the unit.

*NOTE: Signage not supplied by Hatco. Sign dimensions are:*  
3" (76 mm) Holder = 19-1/16" W x 3-1/4" H (484 x 83 mm)  
6-3/8" (162 mm) Holder = 19-5/16" W x 6-1/4" H (491 x 159 mm)

1. Remove the appropriate hood mounting screws from the cabinet hood. The screws that need to be removed are determined by the location and number of sign holders being installed.
2. Align the mounting holes on the sign holder(s) with the mounting holes in the cabinet hood.
3. Insert the hood mounting screws through the holes in the sign holder(s) and into the cabinet hood. Tighten securely.

*NOTE: If more than one display sign holder is being installed, some of the hood mounting screws may need to thread through and secure two display sign holders.*

4. Place the polycarbonate window(s) into sign holder.



Display Sign Holder Installation



## Self-Closing Door

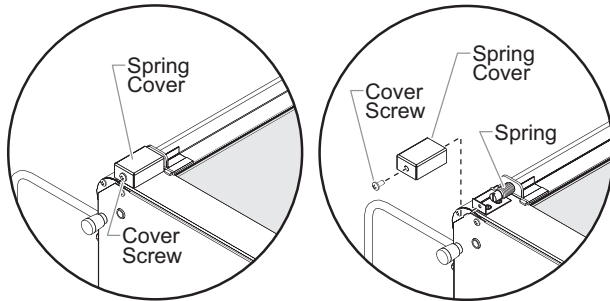
An optional factory installed self-closing door is available for FDWD-1, -1X, -2, and -2X models.

*NOTE: A self-closing door cannot be reversed.*

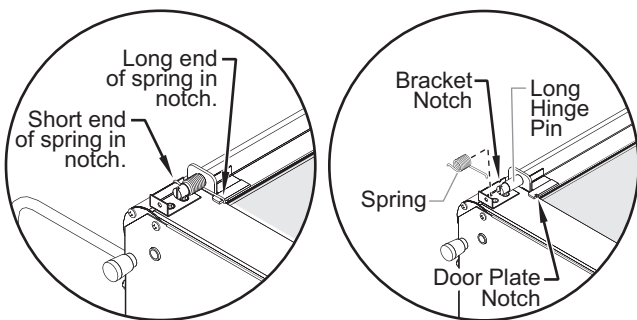
### Cleaning a Self-Closing Door

The spring cover and spring needs to be removed for cleaning. Use the following procedure to clean a self-closing door.

1. Turn off and unplug the unit. Allow the unit to cool completely.
2. Remove all pans and racks from the inside of the cabinet.
3. Drain the water reservoir completely. Refer to the MAINTENANCE section for details.
4. Carefully lay down the unit so that the door being worked on is facing up. If the unit must be laid on the control panel side, take precautions to avoid damaging the fill cup and the controls.
5. Remove the spring cover by unscrewing the cover screw.



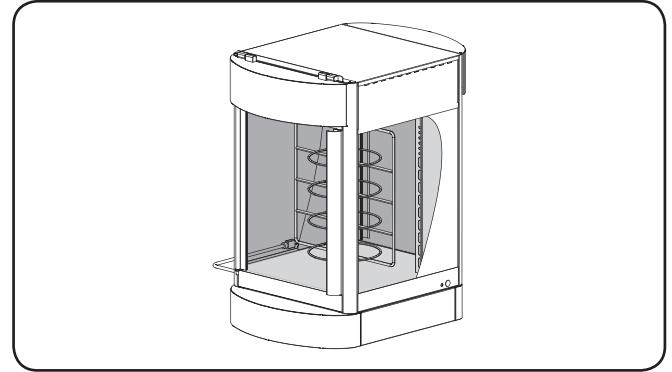
6. Remove the spring from the long hinge pin.
  - a. Remove both ends of the spring from the bracket notch and the door plate notch (use a needle nose pliers for a better grip).
  - b. Slide the spring off of the pin.



7. Clean the spring and cover bracket.
8. Re-install the spring and spring cover.

## Decorative Kits

Several decorative kits are available for FDWD-1, -1X, -2, and -2X models. Installation instructions included with kits.



FDWD-2 with Decorative Kits Installed

### Top Cover Kits

Will hold a magnetic sign up to 23" (584 mm) x 5-7/8" (149 mm).

**FDWD-CTLH** = Curved Hinge Header, Control Side

**FDWD-CUSH** = Curved Header, Non-Control Side

### Side Inset Kits

**FDWD-INSET1** = Two Crescent Inset Panels

**FDWD-INSET2** = Two Wave Inset Panels

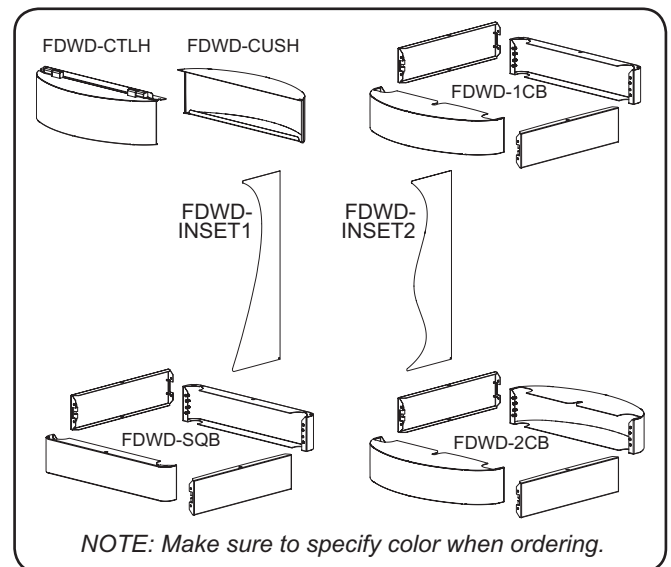
### Base Skirt Kits (requires 4" [102 mm] legs, not included)

Will hold a magnetic sign up to 20" (508 mm) x 3-1/2" (89 mm).

**FDWD-SQB** = Flat Front, Back, and Side Panels

**FDWD-1CB** = Curved Front Panel, Flat Back Panel, and Flat Side Panels

**FDWD-2CB** = Curved Front and Back Panels, Flat Side Panels



Decorative Kits

## 1. PRODUCT WARRANTY

Hatco warrants the products that it manufactures (the "Products") to be free from defects in materials and workmanship, under normal use and service, for a period of one (1) year from the date of purchase when installed and maintained in accordance with Hatco's written instructions or 18 months from the date of shipment from Hatco. Buyer must establish the Product's purchase date by registering the Product with Hatco or by other means satisfactory to Hatco in its sole discretion.

Hatco warrants the following Product components to be free from defects in materials and workmanship from the date of purchase (subject to the foregoing conditions) for the period(s) of time and on the conditions listed below:

**a) One (1) Year Parts and Labor PLUS One (1) Additional Year Parts-Only Warranty:**

- Conveyor Toaster Elements (metal sheathed)
- Drawer Warmer Elements (metal sheathed)
- Drawer Warmer Drawer Rollers and Slides
- Strip Heater Elements (metal sheathed)
- Display Warmer Elements (metal sheathed air heating)
- Holding Cabinet Elements (metal sheathed air heating)
- Heated Well Elements — HW and HWB Series (metal sheathed)

**b) Two (2) Year Parts and Labor Warranty:**

- Induction Ranges
- Induction Warmers

**c) One (1) Year Parts and Labor PLUS Four (4) Years Parts-Only Warranty:**

- 3CS and FR Tanks

**d) One (1) Year Parts and Labor PLUS Nine (9) Years Parts-Only Warranty on:**

- Electric Booster Heater Tanks
- Gas Booster Heater Tanks

**e) Ninety (90) Day Parts-Only Warranty:**

- Replacement Parts

THE FOREGOING WARRANTIES ARE EXCLUSIVE AND IN LIEU OF ANY OTHER WARRANTY, EXPRESSED OR IMPLIED, INCLUDING BUT NOT LIMITED TO ANY IMPLIED WARRANTY OF MERCHANTABILITY OR FITNESS FOR A PARTICULAR PURPOSE OR PATENT OR OTHER INTELLECTUAL PROPERTY RIGHT INFRINGEMENT. Without limiting the generality of the foregoing, SUCH WARRANTIES DO NOT COVER: Coated incandescent light bulbs, fluorescent lights, heat lamp bulbs, coated halogen light bulbs, halogen heat lamp bulbs, xenon light bulbs, LED light tubes, glass components, and fuses; Product failure in booster tank, fin tube heat exchanger, or other water heating equipment caused by liming, sediment buildup, chemical attack, or freezing; or Product misuse, tampering or misapplication, improper installation, or application of improper voltage.

## 2. LIMITATION OF REMEDIES AND DAMAGES

Hatco's liability and Buyer's exclusive remedy hereunder will be limited solely, at Hatco's option, to repair or replacement using new or refurbished parts or Product by Hatco or a Hatco-authorized service agency (other than where Buyer is located outside of the United States, Canada, United Kingdom, or Australia, in which case Hatco's liability and Buyer's exclusive remedy hereunder will be limited solely to replacement of part under warranty) with respect to any claim made within the applicable warranty period referred to above. Hatco reserves the right to accept or reject any such claim in whole or in part. In the context of this Limited Warranty, "refurbished" means a part or Product that has been returned to its original specifications by Hatco or a Hatco-authorized service agency. Hatco will not accept the return of any Product without prior written approval from Hatco, and all such approved returns shall be made at Buyer's sole expense. HATCO WILL NOT BE LIABLE, UNDER ANY CIRCUMSTANCES, FOR CONSEQUENTIAL OR INCIDENTAL DAMAGES, INCLUDING BUT NOT LIMITED TO LABOR COSTS OR LOST PROFITS RESULTING FROM THE USE OF OR INABILITY TO USE THE PRODUCTS OR FROM THE PRODUCTS BEING INCORPORATED IN OR BECOMING A COMPONENT OF ANY OTHER PRODUCT OR GOODS.

<b>Informations Importantes pour le Propriétaire.....</b>	<b>19</b>	Guide de maintien au chaud des aliments.....	29
<b>Introduction.....</b>	<b>19</b>	<b>Maintenance.....</b>	<b>30</b>
<b>Consignes de Sécurité Importantes.....</b>	<b>20</b>	Généralités.....	30
<b>Désignation du Modèle.....</b>	<b>21</b>	Nettoyage quotidien.....	30
<b>Description du Modèle.....</b>	<b>22</b>	Retrait des panneaux en verre.....	30
<b>Caractéristiques Techniques.....</b>	<b>23</b>	Retrait du présentoir rotatif.....	30
Configuration des Fiches.....	23	Vidange du réservoir d'eau.....	31
Tableau des valeurs nominales électriques.....	23	Élimination des dépôts de tartre et de calcaire.....	31
Dimensions.....	24	Remplacer une bande lumineuse DEL.....	31
<b>Installation.....</b>	<b>25</b>	Réglage du mode de détection de détartage.....	32
Généralités.....	25	<b>Guide de Dépannage.....</b>	<b>32</b>
Inversion de la porte d'accès.....	26	Codes d'erreur.....	33
Déplacement du commutateur de proximité.....	27	<b>Options et accessoires.....</b>	<b>33</b>
<b>Mode d'emploi.....</b>	<b>28</b>	<b>Garantie Limitée.....</b>	<b>36</b>
Généralités.....	28	<b>Autorisés Distributeurs de Pièces.....</b>	<b>Couverture Arrière</b>
Réglage de la température de l'air.....	29		
Réglage du taux d'humidité.....	29		

## INFORMATIONS IMPORTANTES POUR LE PROPRIÉTAIRE

Notez le numéro de modèle, le numéro de série, la tension et la date d'achat de l'appareil dans les espaces ci-dessous (l'étiquette des caractéristiques se situe dans la partie supérieure à l'intérieur de l'appareil). Veuillez avoir cette information à portée de la main si vous appelez Hatco pour assistance.

Modèle No. \_\_\_\_\_

Numéro de série \_\_\_\_\_

Voltage \_\_\_\_\_

Date d'achat \_\_\_\_\_

### Enregistrez votre appareil!

Remplissez la garantie en ligne pour éviter les retards pour faire jouer la garantie. Accédez au site Web Hatco [www.hatcocorp.com](http://www.hatcocorp.com), sélectionnez le menu déroulant *Support (Assistance)*, puis cliquez sur « Warranty » (Garantie).

### Horaires

ouvrables : 7h00 à 17h00 du lundi au vendredi  
Heure du Centre (CT)  
(Horaires d'été—juin à septembre:  
7h00 à 17h00 du lundi au jeudi  
7h00 à 16h00 le vendredi)

Téléphone: 800-558-0607; 414-671-6350

Courriel: [support@hatcocorp.com](mailto:support@hatcocorp.com)



Service d'assistance et de pièces de rechange disponible 7j/7, 24h/24 aux États-Unis et au Canada en composant le 800-558-0607.

Des renseignements supplémentaires sont disponibles sur notre site Web à [www.hatcocorp.com](http://www.hatcocorp.com).

## INTRODUCTION

Les armoires d'exposition avec système d'humidification Flav-R-Fresh® de Hatco sont conçues pour conserver des plats préparés pendant des périodes relativement longues, tout en maintenant leur fraîcheur intacte. Les armoires d'exposition avec système d'humidification de Hatco offrent le meilleur environnement pour conserver les produits alimentaires en réglant la température de l'air tout en maintenant un niveau d'humidité équilibré. L'utilisation d'une chaleur humide et contrôlée permet de maintenir la température de service et de préserver la texture des aliments plus longtemps qu'avec un équipement traditionnel de conservation des aliments au sec.

Le schéma de flux d'air des appareils Flav-R-Fresh est conçu pour maintenir une température constante dans l'armoire sans dessécher les aliments. L'association précise de la chaleur et l'humidité crée un effet de « couverture » autour des aliments. L'intensité du flux d'air permet à la température interne de l'armoire de se rétablir rapidement après l'ouverture et la fermeture de la porte.

Les armoires d'exposition avec système d'humidification Flav-R-Fresh de Hatco sont des produits résultant de recherches et d'essais de terrain extensifs. Les matériaux utilisés ont été sélectionnés pour une durabilité maximum, une apparence séduisante et des performances optimum. Chaque unité est inspectée et testée minutieusement avant d'être expédiée.

Ce manuel contient les instructions d'installation, de sécurité et de fonctionnement des armoires d'exposition avec système d'humidification Flav-R-Fresh. Hatco vous recommande de lire l'ensemble des instructions d'installation, de sécurité et de fonctionnement contenues dans ce manuel avant d'installer et d'utiliser l'appareil.

Les consignes de sécurité qui apparaissent dans ce manuel sont identifiées par les mots indicateurs suivants :

### ⚠ AVERTISSEMENT

**AVERTISSEMENT** indique une situation dangereuse qui, si elle n'est pas évitée, peut provoquer la mort ou des blessures graves.

### ⚠ ATTENTION

**ATTENTION** indique une situation dangereuse qui, si elle n'est pas évitée, peut provoquer des blessures légères ou moyennes.

### AVIS

**AVIS** est utilisé pour des questions sans rapport avec des blessures corporelles.

 Lisez l'information de sécurité importante suivante avant d'utiliser cet équipement pour éviter des dommages ou la mort sérieux et pour éviter d'endommager l'équipement ou la propriété.

## AVERTISSEMENT

### DANGER DE DÉCHARGE ÉLECTRIQUE :

- Brancher l'appareil sur une prise de courant avec terre de tension, de format et de configuration des broches corrects. Si la fiche et la prise ne se correspondent pas, s'adresser à un électricien qualifié pour déterminer et installer une prise de courant de format et de tension corrects.
- Éteignez l'appareil et débranchez le cordon d'alimentation de la prise secteur et laissez refroidir avant une maintenance ou un nettoyage.
- L'appareil n'est pas à l'épreuve des intempéries. Placer l'appareil à l'intérieur à une température ambiante de 21°C minimum.
- **NE PAS immerger l'appareil ni le saturer d'eau.** L'appareil n'est pas étanche à l'eau. Ne pas le faire fonctionner s'il a été immergé ou saturé d'eau.
- Cet appareil n'est pas étanche aux jets. Ne pas utiliser de jet sous pression pour nettoyer l'appareil.
- Ne pas trop remplir le réservoir d'eau. Un remplissage excessif peut causer une électrocution. La réserve d'eau est pleine quand « LO H2O » cesse de clignoter sur l'affichage température de l'armoire. Arrêter de remplir quand « LO H2O » cesse de clignoter sur l'affichage.
- Couper l'alimentation et laisser l'appareil refroidir avant de vider l'eau du réservoir.
- Ne pas tirer l'appareil par son cordon électrique.
- Ne pas utiliser l'appareil si le cordon est endommagé ou usé.
- Ne pas tenter de réparer ni de changer un cordon électrique endommagé. Ce cordon doit être changé par Hatco, par un réparateur Hatco agréé ou par une personne de qualifications comparables.
- Cet appareil doit uniquement être réparé par un personnel qualifié. Toute réparation par un personnel non qualifié peut entraîner une électrocution et des brûlures.
- Utilisez uniquement des pièces de rechange d'origine Hatco lorsque l'entretien est nécessaire. Utilisez des pièces détachées Hatco authentiques sous peine d'annuler toutes les garanties et d'exposer l'utilisateur à des tensions électriques dangereuses pouvant entraîner une électrocution ou des brûlures. Les pièces de rechange authentiques Hatco sont spécifiées pour fonctionner en toute sécurité dans les environnements dans lesquels elles sont utilisées. Certaines pièces de rechange génériques ou d'après-vente n'ont pas les caractéristiques qui leur permettent d'opérer en toute sécurité dans les équipements Hatco.

## AVERTISSEMENT

**DANGER D'INCENDIE :** Placer l'appareil à un minimum de 25 mm des parois et matières combustibles. Si une distance sûre n'est pas maintenue, la chaleur peut provoquer une combustion ou une altération de couleur.

S'assurer que le produit alimentaire a été chauffé à une température adaptée au maintien de sa salubrité avant de le mettre dans l'appareil sous peine de risques graves pour la santé. Cet appareil est destiné au maintien au chaud de produits alimentaires préchauffés uniquement.

Assurez-vous que tous les opérateurs ont été formés à l'utilisation sûre et correcte de l'appareil.

Cet appareil ne doit pas être utilisé par des enfants ou des personnes avec des capacités physiques, sensorielles ou mentales diminuées. Assurez-vous que les enfants sont bien surveillés et tenez-les à l'écart de l'appareil.

Hatco n'est pas responsable de la température de service du produit alimentaire elle-même. Il incombe à l'utilisateur de s'assurer que le produit alimentaire est maintenu et servi à une température sûre.

Cet appareil ne contient aucune pièce réparable par l'utilisateur. Si cet appareil doit être réparé, contacter un réparateur Hatco agréé ou le Service après-vente Hatco au 800-558-0607 ou 414-671-6350.

## ATTENTION

**DANGER DE BRÛLURE :** Certaines surfaces extérieures de l'appareil deviennent chaudes. Toucher ces zones de l'appareil avec précaution.

Placer l'appareil sur un plan de travail de hauteur correcte à un endroit qui convient pour son utilisation. Le support doit être de niveau pour éviter toute chute accidentelle du grille-pain ou de son contenu et suffisamment solide pour résister au poids de l'appareil et de son contenu.

Transporter l'appareil à la verticale seulement. Avant de déplacer ou basculer l'appareil, fixer toutes les surfaces en verre avec du ruban adhésif et vider l'eau du réservoir sous peine d'endommagement de l'appareil ou de blessures personnelles.

## AVIS

L'emploi d'eau distillée dans le réservoir d'eau des modèles humides est recommandé pour préserver la durée de vie des composants électriques et mécaniques. Si de l'eau non distillée est utilisée, le réservoir exigera un nettoyage et un détartrage périodiques (pour la procédure de nettoyage, voir la section Maintenance). Les pannes d'appareil faute d'avoir enlevé le tartre ou les dépôts calcaires ne sont pas couvertes par la garantie.

N'utilisez pas d'eau déionisée ou purifiée par osmose inverse. Cela raccourcirait la durée de vie du réservoir d'eau et de l'élément chauffant.

Ne couchez pas l'unité sur le côté comportant le panneau de commande. L'appareil pourrait être endommagé.

Utiliser uniquement des produits nettoyants non abrasifs. Les produits nettoyants abrasifs peuvent rayer la finition de l'appareil, ce qui altère son apparence et le rend plus susceptible d'accumuler la saleté.

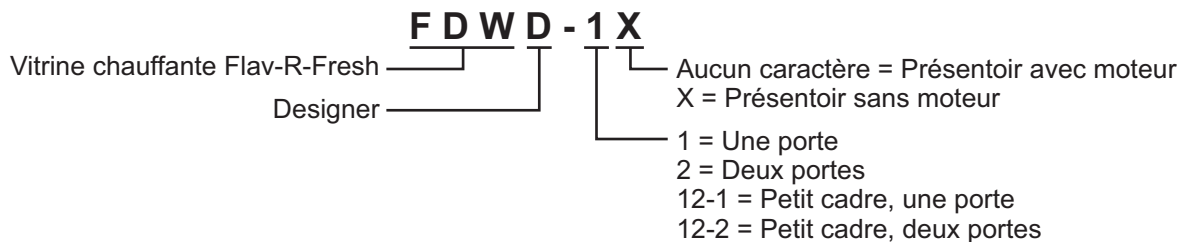
## AVIS

Nettoyer chaque jour l'appareil pour éviter les dysfonctionnements et maintenir l'hygiène.

Ne pas placer l'appareil dans un endroit où la circulation de l'air est trop forte.

Installer l'appareil dans une zone à l'écart des courants d'air. Éviter les zones pouvant être soumises à des mouvements d'air ou à des courants d'air actifs (c.-à-d. à proximité des ventilateurs/hottes d'aspiration, des portes et des conduites de climatisation).

## DÉSIGNATION DU MODÈLE

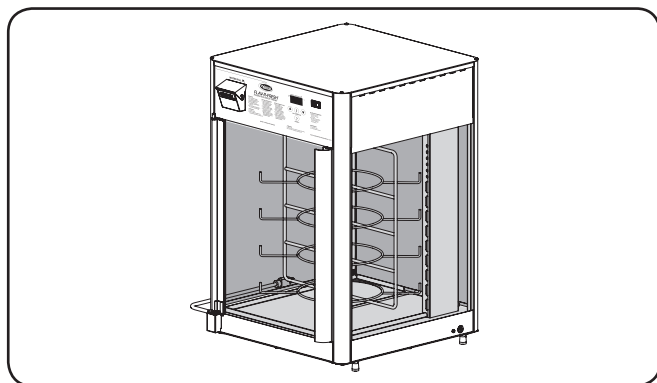


## Tous les Modèles

Toutes les armoires d'exposition avec système d'humidification Flav-R-Fresh® sont équipées d'un système de chauffage à air, d'un système d'humidification avec protection du contrôle du bas niveau d'eau, Lumières DEL, de parties latérales en verre trempé et d'une porte. Les appareils peuvent être configurés avec ou sans système d'humidification avec protection du contrôle du bas niveau d'eau. La porte d'accès standard peut être montée pour s'ouvrir vers la gauche ou vers la droite. Tous les présentoirs disponibles sont chromés, à l'exception des présentoirs pour bretzels qui sont en acier inoxydable. Tous les appareils sont disponibles dans plusieurs couleurs *Designer*.

### Modèle FDWD-1

Le modèle FDWD-1 est doté d'une porte simple et d'un présentoir rotatif motorisé. Il est vendu avec un présentoir à pizza pouvant accueillir jusqu'à quatre (4) plateaux à pizza ronds d'un diamètre maximal de 381 mm (15"). Le présentoir rotatif s'arrête automatiquement à l'ouverture de la porte. Un ensemble rotatif à bretzels et un ensemble à 4 étagères fixes multi-usages sont également proposés en option.



FDWD-1

*NOTA: Le modèle FDWD-1 ne peut pas être converti en modèle FDWD-2 ou FDWD-2X.*

### Modèle FDWD-2

Le modèle FDWD-2 est équivalent au modèle FDWD-1, mais est doté d'une porte supplémentaire sur le côté opposé au panneau de commande, permettant une fluidité pratique du mouvement à travers l'armoire.

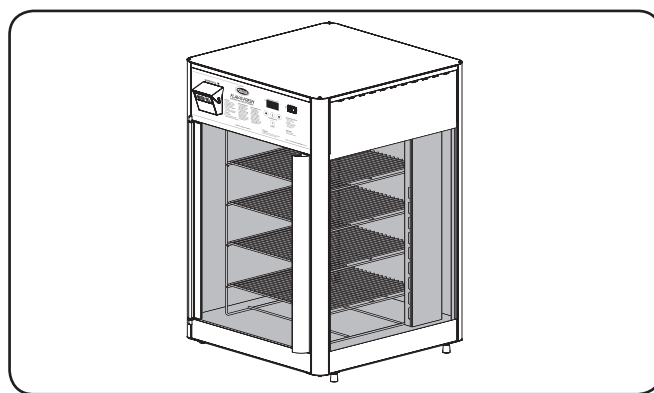
### Modèle FDWD-1X

Le modèle FDWD-1X est équivalent au modèle FDWD-1, mais est doté d'un ensemble de 4 étagères fixes multi-usages au lieu de l'ensemble d'étagères rotatives. Le présentoir peut accueillir des plateaux d'une largeur maximale de 330 mm (13") et d'une profondeur de 457 mm (18").

### Modèle FDWD-2X

Le modèle FDWD-2X est équivalent au modèle FDWD-1X, mais est doté d'une porte supplémentaire sur le côté opposé au panneau de commande, permettant une fluidité pratique du mouvement à travers l'armoire.

*NOTA: Le modèle FDWD-2X ne peut pas être converti en modèle FDWD-2, FDWD-1 ou FDWD-1X.*

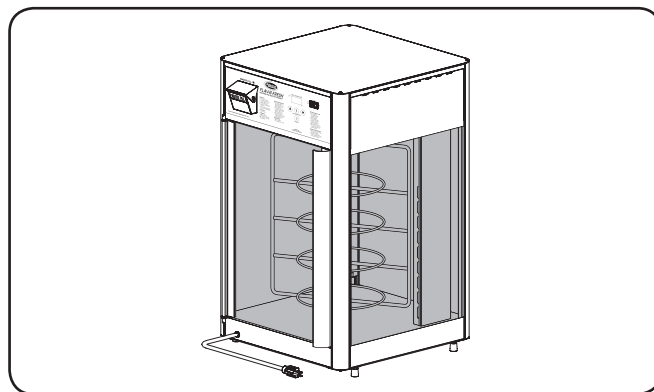


FDWD-1X

*NOTA: Le modèle FDWD-1X ne peut pas être converti en modèle FDWD-1, FDWD-2 ou FDWD-2X.*

### Modèle FDWD-12-1

Le modèle FDWD-12 est équivalent au modèle FDWD-1 mais son cadre est plus petit et son encombrement réduit. L'appareil peut accueillir des plateaux à pizzas d'un diamètre maximum de 30,5 cm. L'ensemble rotatif à bretzels en option n'est pas disponible.



FDWD-12-1

### Modèle FDWD-12-1X

Le modèle FDWD-12-1X est équivalent au modèle FDWD-12-1, mais est équipé d'un ensemble de 4 étagères fixes polyvalentes au lieu de l'ensemble d'étagères rotatives. Le présentoir peut accueillir des plateaux d'une largeur maximale de 330 mm (13") et d'une profondeur de 406 mm (16").

### Modèle FDWD-12-2X

Le modèle FDWD-12-2X est équivalent au modèle FDWD-12-1X, mais est équipé d'une porte supplémentaire sur le côté opposé au panneau de commande pour faciliter le passage.

*NOTA: Pour connaître les options disponibles des modèles ci-dessus, se reporter à la section OPTIONS ET ACCESSOIRES de ce manuel.*

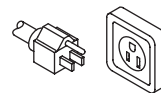
### Configuration des fiches

Les appareils sortent de l'usine avec un cordon électrique et une fiche installée. Les fiches sont fournies en fonction de l'application.

#### **AVERTISSEMENT**

**DANGER DE DÉCHARGE ÉLECTRIQUE:** Brancher l'appareil sur une prise de courant avec terre de tension, de format et de configuration des broches corrects. Si la fiche et la prise ne se correspondent pas, s'adresser à un électricien qualifié pour déterminer et installer une prise de courant de format et de tension corrects.

*NOTA: L'étiquette des caractéristiques se situe dans la partie supérieure à l'intérieur de l'appareil. Consultez l'étiquette pour connaître le numéro de série et vérifier les caractéristiques électriques de l'appareil.*



NEMA 5-15P

Configuration des fiches

*NOTA: Prise non fournie par Hatco.*

### Tableau des valeurs nominales électriques

Modèle	Tension	Intensité	Amps	Configuration de Fiches	Poids d'embarquement
FDWD-1, -1X, -2, -2X (avec humidité)	120	1360	11.3	NEMA 5-15P	41 kg (90 lbs.)
FDWD-1, -1X, -2, -2X (sans humidité)		1035	8.6		
FDWD-12-1X, -2X (avec humidité)	120	1360	11.3	NEMA 5-15P	44 kg (98 lbs.)
FDWD-12-1X, -2X (sans humidité)		1035	8.6		

*NOTA: Le poids d'embarquement comprend l'emballage.*

## Dimensions

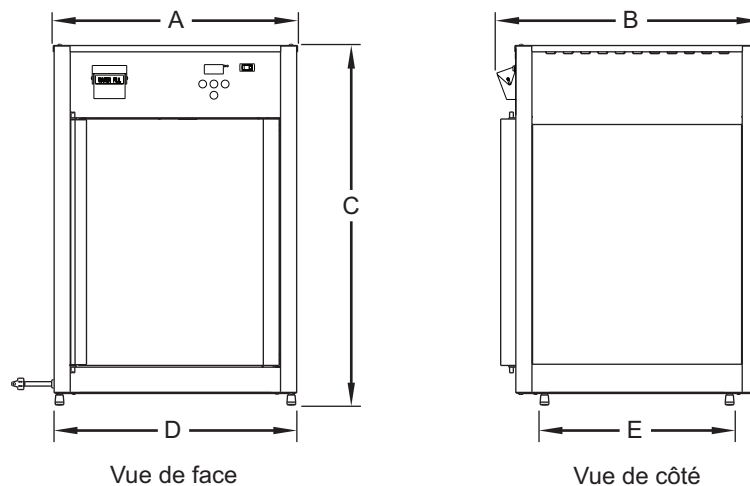
Modèle	Largeur (A)	Profondeur (B)	Hauteur (C)*	Largeur d'encombrement (D)	Profondeur d'encombrement (E)
FDWD-1	492 mm (19-3/8")	530 mm (20-7/8")	727 mm (28-5/8")	485 mm (19-1/16")	390 mm (15-3/8")
FDWD-1X	492 mm (19-3/8")	530 mm (20-7/8")	727 mm (28-5/8")	485 mm (19-1/16")	390 mm (15-3/8")
FDWD-2	492 mm (19-3/8")	559 mm (22")	727 mm (28-5/8")	485 mm (19-1/16")	390 mm (15-3/8")
FDWD-2X	492 mm (19-3/8")	559 mm (22")	727 mm (28-5/8")	485 mm (19-1/16")	390 mm (15-3/8")
FDWD-12-1 FDWD-12-1X	445 mm (17-1/2")	486 mm (19-1/8")	727 mm (28-5/8")	441 mm (17-3/8")	348 mm (13-11/16")
FDWD-12-2X	445 mm (17-1/2")	506 mm (19-7/8")	727 mm (28-5/8")	441 mm (17-3/8")	348 mm (13-11/16")

Ouvertures de l'armoire :

FDWD-1, -1X, -2, -2X = 400 L x 502 H mm (15-3/4" x 19-3/4")

FDWD-12-1, -12-1X, -12-2X = 356 L x 502 H mm (14" x 19-3/4")

\* Ajouter 76 mm (3") à la hauteur (C) de l'appareil si l'option de pied de 102 mm (4") est installée.





## Généralités

Les armoires d'exposition avec système d'humidification Flav-R-Fresh® de Hatco sont expédiées avec la plupart des composants déjà installés et prêts à l'emploi. Les instructions d'installation suivantes doivent être respectées avant de brancher et de faire fonctionner l'armoire.

### ⚠ AVERTISSEMENT

**DANGER DE DÉCHARGE ÉLECTRIQUE:** L'appareil n'est pas à l'épreuve des intempéries. Placer l'appareil à l'intérieur à une température ambiante de 21°C minimum.

**DANGER D'INCENDIE :** Placer l'appareil à un minimum de 25 mm des parois et matières combustibles. Si une distance sûre n'est pas maintenue, la chaleur peut provoquer une combustion ou une altération de couleur.

### ⚠ ATTENTION

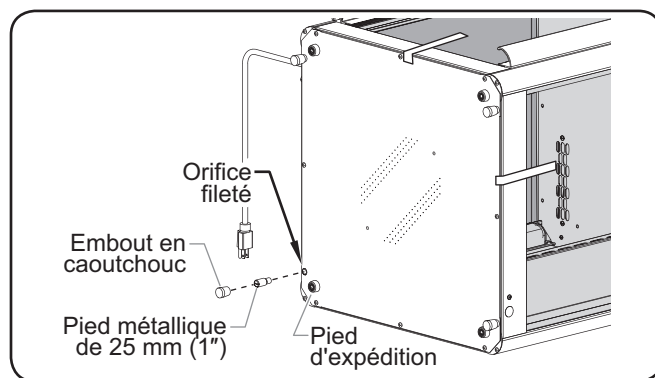
Placer l'appareil sur un plan de travail de hauteur correcte à un endroit qui convient pour son utilisation. Le support doit être de niveau pour éviter toute chute accidentelle du grille-pain ou de son contenu et suffisamment solide pour résister au poids de l'appareil et de son contenu.

Transporter l'appareil à la verticale seulement. Avant de déplacer ou basculer l'appareil, fixer toutes les surfaces en verre avec du ruban adhésif et vider l'eau du réservoir sous peine d'endommagement de l'appareil ou de blessures personnelles.

1. Retirer l'appareil de sa boîte. Cette étape nécessite deux personnes.

**NOTA :** Pour éviter des retards dans l'obtention de la couverture de la garantie, complétez l'enregistrement en ligne de votre garantie. Lisez la section INFORMATIONS IMPORTANTES POUR LE PROPRIÉTAIRE pour plus de détails.

2. Retirez l'ensemble d'étagères de l'appareil.
3. Installer les quatre pieds métalliques de 25 mm (1") en forme de vis et les embouts en caoutchouc (inclus avec l'appareil). Pour procéder à l'installation :
  - a. S'assurer que tous les panneaux de verre et toutes les portes sont protégés par une bande adhésive. Coucher l'appareil sur le côté.
  - b. Visser les pieds de 25 mm (1") dans les orifices filetés à proximité de chaque coin de l'appareil. Serrez-les fermement.
  - c. Placer un embout en caoutchouc sur chaque pied.
  - d. Remettre l'appareil à la verticale.



Installation des pieds de 25 mm (1")

**NOTA :** Si les pieds de 102 mm (4") sont installés, ne pas enlever la protection en verre avant la fin de l'installation. Pour connaître les instructions d'installation, se reporter à la section OPTIONS ET ACCESSOIRES.

4. Retirer le ruban et le film de protection de toutes les surfaces de l'appareil.
  - Plancher — Le plancher inox dans toutes les armoires est protégé durant l'expédition par du carton ondulé. Cette protection devra être enlevée avant la mise en marche de l'appareil.
  - Présentoir — Du matériel d'emballage et du carton sont attachés en guise de protection durant l'expédition. Cette protection devra être enlevée avant la mise en marche de l'appareil.
  - Panneaux latéraux en verre — Les armoires ont des panneaux latéraux en verre trempé qui sont protégés en cours d'expédition par des feuilles de polystyrène placées le long des bords en verre et fixés en toute sécurité par un ruban adhésif. Les feuilles de polystyrène et le ruban adhésif devront être enlevés avant la mise en marche de l'appareil.
5. Placez l'appareil à l'endroit désiré (nécessite deux personnes).
  - Placez l'appareil à un endroit où la température ambiante est constante et de 21°C (70°F) minimum. Évitez les endroits susceptibles d'activer les mouvements ou les courants d'air (comme à proximité de ventilateurs d'échappement ou de hottes d'aspiration, de conduites de climatisation, de fenêtres pour vente à emporter, de portes extérieures).
  - Assurez-vous que l'appareil est à la bonne hauteur du plan de travail dans un espace pratique pour son utilisation.
  - Assurez-vous que le plan de travail est de niveau et suffisamment solide pour supporter le poids de l'appareil et des produits alimentaires.

## Inversion de la porte d'accès

La/les porte(s) d'accès des appareils Flav-R-Fresh peut/peuvent être montée(s) pour s'ouvrir vers la gauche ou vers la droite, selon votre préférence. Procéder comme suit pour inverser la porte d'accès.

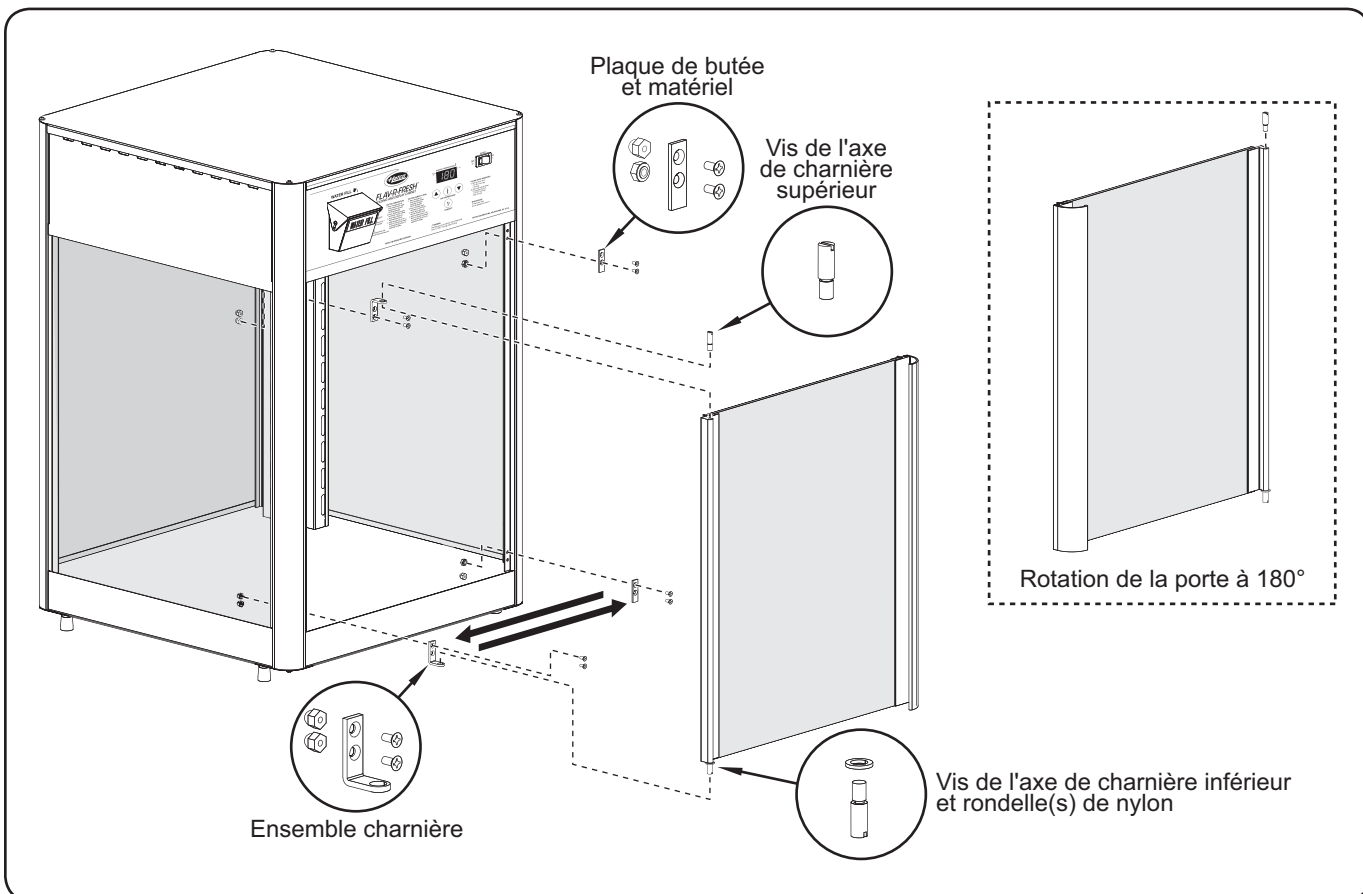
**NOTA:** Les quatre derniers chiffres du numéro de série à 10 chiffres correspondent au code de la date de fabrication.

Par exemple : Le numéro de série 9625061331 a un code de la date égal à « 1331 » qui signifie : 1331

Année 2013  
Semaine trente et un

**NOTA:** Pour les modèles possédant un code de date égal à 1829 ou antérieur et équipés d'un présentoir rotatif motorisé (FDWD-1, FDWD-2, et FDWD-12-1), la procédure de « Déplacement du commutateur de proximité » doit être réalisée après avoir inversé la/les porte(s) d'accès.

1. Retirer la vis de l'axe de charnière supérieur qui retient la charnière à la porte.
2. Basculer la porte vers vous (en l'éloignant de l'armoire) et la soulever délicatement afin de désolidariser l'ensemble contenant le support de charnière du bas. Retirez la/les rondelle(s) de nylon.
3. Réinstaller l'axe de charnière supérieur.
4. Retirer les vis retenant les supports de charnières à l'armoire.
5. Enlever les vis des gâches du côté opposé des charnières.
6. Insérer les plaques de butée de l'autre côté de l'armoire à l'endroit où se trouvaient les supports de charnières.
7. Monter les charnières sur le côté opposé de l'armoire à l'endroit où se trouvaient les plaques de butée, en utilisant les vis d'origine destinées au montage des charnières.
8. Tourner la porte avec précaution de 180°.
9. Enlever la vis de l'axe de charnière de l'extrémité qui est désormais le haut.
10. Placer délicatement la porte avec la/les rondelle(s) de nylon sur le support de charnière du bas.
11. Basculer la porte vers l'armoire et aligner le haut de la porte sur le support de charnière. Réinstaller la vis de l'axe de charnière du haut de la porte dans le support de charnière et sur le haut de la porte.



Inversion de la porte d'accès

## Déplacement du Commutateur de Proximité

### Code de la date égal à 1829 ou antérieur

NOTA: Les quatre derniers chiffres du numéro de série à 10 chiffres correspondent au code de la date de fabrication.

Par exemple : Le numéro de série 9625061331 a un code de la date égal à « 1331 » qui signifie : 1331

Année 2013  
Semaine trente et un

Sur les modèles équipés d'un présentoir rotatif, vous devez déplacer le(s) commutateur(s) de proximité lorsque vous inversez la ou les portes.

Le commutateur de proximité arrête la rotation du présentoir lorsque la porte est ouverte. Procédez comme suit de sorte que le commutateur de proximité se trouve dans la bonne position après inversion de la ou des portes. L'appareil exige un commutateur par porte.

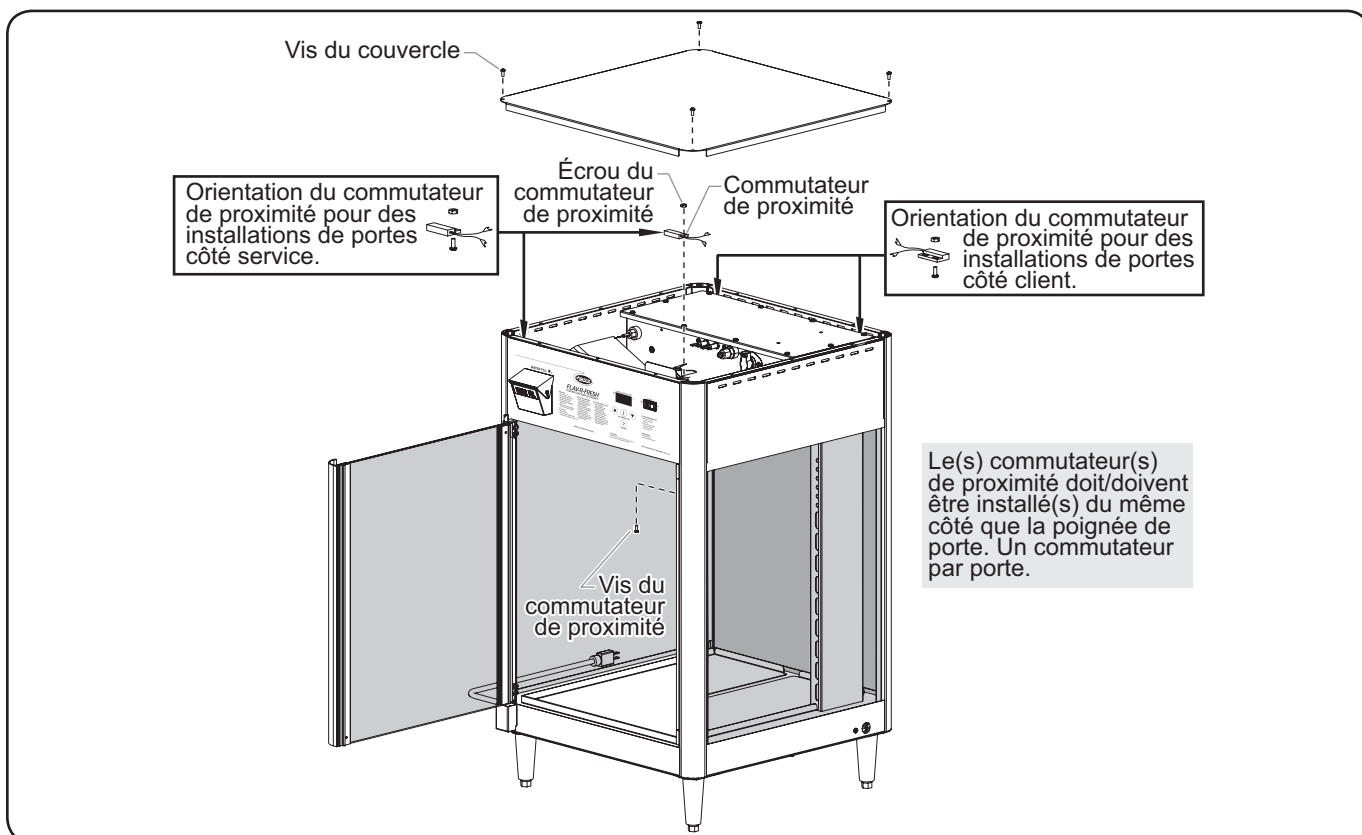
1. Éteindre l'appareil, débrancher le cordon d'alimentation et laisser refroidir l'appareil.
2. Retirez les quatre vis et le capot supérieur.
3. Retirez la vis et l'écrou qui fixent le commutateur de proximité sur l'armoire. La vis est accessible par l'intérieur de l'appareil. Réinstallez la vis et l'écrou dans le trou après avoir retiré le commutateur.
4. Coupez l'attache de câble qui fixe les conducteurs du commutateur de proximité au faisceau de câblage. Marquez les deux conducteurs pour faciliter le remontage et débranchez les conducteurs du commutateur de proximité. Acheminez les conducteurs à l'angle opposé et rattachés les conducteurs au commutateur.

NOTA : Veiller à installer le commutateur de proximité dans l'orientation ci-dessous pour le lieu d'installation spécifique. Une mauvaise orientation se soldera par un dysfonctionnement du commutateur de proximité.

5. Retirez la vis et l'écrou du nouveau trou de fixation. Fixer le commutateur de proximité dans le trou avec la vis et l'écrou. Assurez-vous de maintenir l'orientation du commutateur en serrant la visserie.
6. Assurez-vous que les conducteurs n'interfèrent pas avec d'autres composants à l'intérieur de l'armoire, puis fixez les conducteurs au commutateur au faisceau de câblage avec une attache de câble (non fournie).

NOTA : Sur les modèles équipés de deux portes, il est possible que vous deviez déplacer le compartiment d'air pour accéder au commutateur de proximité sur la porte côté client. Vider l'eau de l'appareil, retirer le robinet de vidange situé à l'intérieur de l'armoire et retirer les quatre vis qui retiennent la chambre à air sur l'armoire. Sortez le compartiment d'air pour dégager l'accès au commutateur de proximité. Remontez après avoir déplacé le commutateur.

7. Installez le capot et les quatre vis.
8. Brancher l'appareil sur une alimentation adéquate.
9. Mettre l'appareil en marche et vérifier le fonctionnement du commutateur de proximité en s'assurant que le présentoir tourne quand la porte est fermée et s'arrête de tourner quand elle est ouverte.



Déplacement du Commutateur de Proximité

## Généralités

Suivre les procédures ci-dessous pour utiliser les armoires d'exposition avec système d'humidification Flav-R-Fresh®.

### **AVERTISSEMENT**

**Lire tous les messages de sécurité de la section Consignes de sécurité importantes avant d'utiliser ce matériel.**

### Démarrage

1. Brancher l'appareil sur une prise électrique correctement mise à la terre du type, de la taille et de la tension corrects. Pour plus de détails, voir CARACTÉRISTIQUES TECHNIQUES.
2. Mettre l'interrupteur d'alimentation I/O (marche/arrêt) en position « I » (marche).
  - L'éclairage de l'armoire s'allume et le système de chauffage démarre.
  - Dans les appareils avec système d'humidification, l'affichage de la température de l'armoire clignote quatre fois avec la mention « LO H2O », puis la température de l'armoire clignote. L'alternance se poursuit ainsi jusqu'au remplissage du réservoir. Une fois le réservoir plein, « LO H2O » arrête de clignoter et l'affichage indique la température de l'armoire.

### **AVIS**

**L'emploi d'eau distillée dans le réservoir d'eau des modèles humides est recommandé pour préserver la durée de vie des composants électriques et mécaniques. Si de l'eau non distillée est utilisée, le réservoir exigera un nettoyage et un détartrage périodiques (pour la procédure de nettoyage, voir la section Maintenance). Les pannes d'appareil faute d'avoir enlevé le tartre ou les dépôts calcaires ne sont pas couvertes par la garantie.**

**N'utilisez pas d'eau déionisée ou purifiée par osmose inverse. Cela raccourcirait la durée de vie du réservoir d'eau et de l'élément chauffant.**

*NOTA : Les pannes d'appareil causées par de l'eau désionisée ne sont pas couvertes par la garantie.*

3. Dans les appareils avec système d'humidification, remplir le réservoir avec de l'eau propre. Pour remplir le réservoir :

- a. Soulever le couvercle du godet de remplissage d'eau et le tirer vers l'avant.
- b. Verser lentement l'eau dans le godet jusqu'à ce que « LO H2O » cesse de clignoter sur l'affichage de température de l'armoire.

### REMARQUE IMPORTANTE

Si de l'eau distillée est utilisée, ajouter une cuillère à café de sel au réservoir d'eau durant le remplissage initial seulement. Ceci permettra de garantir le fonctionnement correct des capteurs de niveau d'eau.

### **AVERTISSEMENT**

**Ne pas trop remplir le réservoir d'eau. Un remplissage excessif peut causer une électrocution. La réserve d'eau est pleine quand « LO H2O » cesse de clignoter sur l'affichage température de l'armoire. Arrêter de remplir quand « LO H2O » cesse de clignoter sur l'affichage.**

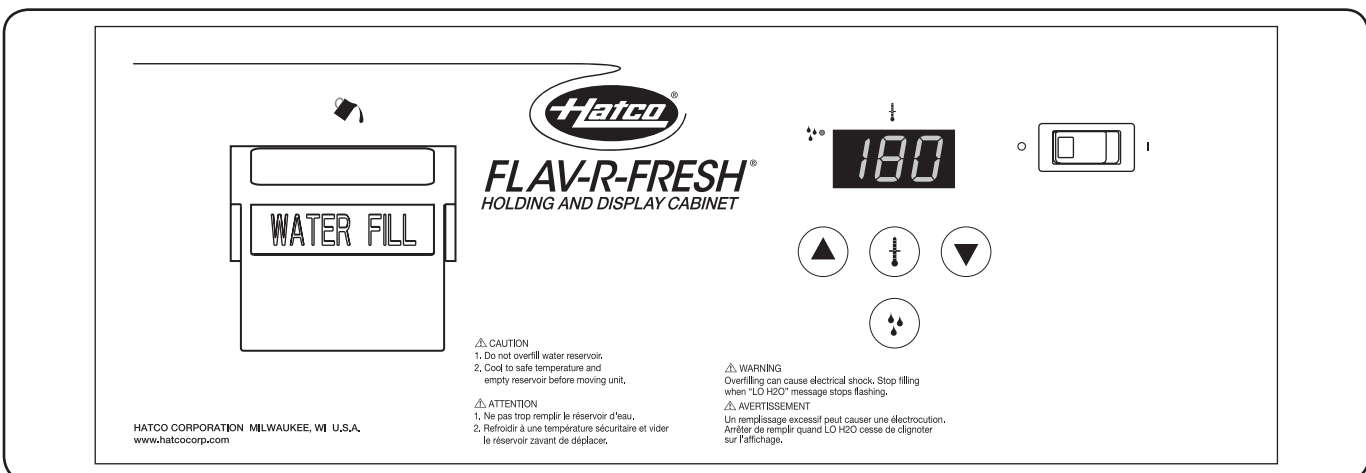
*NOTA: Lors du premier remplissage, la capacité du réservoir d'eau est de 2,3 litres.*

4. Dans les appareils avec système d'humidification, fixer le taux d'humidité au niveau souhaité (voir la procédure « Réglage du taux d'humidité » dans cette section). Pour des recommandations, voir « Guide de maintien au chaud des aliments ».
5. Régler la température de l'air à la valeur souhaitée (voir la procédure « Réglage de la température de l'air » dans cette section). Pour des recommandations, voir « Guide de maintien au chaud des aliments ».
6. Attendre 20 minutes que l'appareil atteigne sa température de fonctionnement avant de le charger de produit alimentaire préchauffé.

### **AVERTISSEMENT**






**S'assurer que le produit alimentaire a été chauffé à une température adaptée au maintien de sa salubrité avant de le mettre dans l'appareil sous peine de risques graves pour la santé. Cet appareil est destiné au maintien au chaud de produits alimentaires préchauffés uniquement.**

**DANGER DE BRÛLURE : Certaines surfaces extérieures de l'appareil deviennent chaudes. Toucher ces zones de l'appareil avec précaution.**



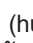




Panneau de commande

### Réglage de la température de l'air

1. Appuyez sur la touche  (air temperature) pour passer au mode Température (« TSP » apparaît sur l'affichage de température de l'armoire).
2. Rappuyez sur la touche  pour afficher le point de consigne de température actuel.
3. Appuyez sur la flèche  ou  pour atteindre la température souhaitée. La plage de températures est comprise entre 27 et 88°C (80 et 190°F) par incréments de 1 degré.
4. Appuyer sur la touche  pour enregistrer le réglage.
5. Une fois la température réglée, attendre 15 secondes sans appuyer sur une touche pour que l'affichage de température de l'armoire repasse automatiquement au mode opérationnel.

### Réglage du taux d'humidité

Suivre la procédure suivante pour régler le niveau d'humidité sur les appareils humidifiés.

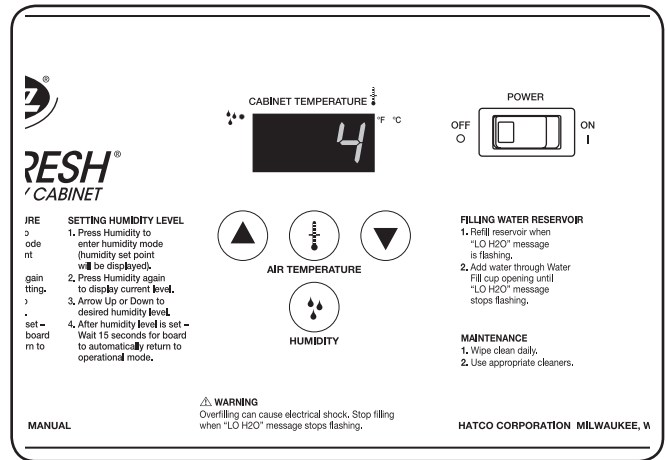
1. Appuyer sur la touche  (humidité) pour passer au mode Humidité (« hSP » apparaît sur l'affichage de température de l'armoire).
2. Rappuyer sur la touche  pour afficher le taux d'humidité actuel.
3. Appuyer sur la flèche  ou  pour atteindre le taux d'humidité souhaité. Le taux d'humidité se règle de 1 à 5 (1 correspond au plus bas taux d'humidité et 5 au plus haut). Voir les recommandations sous « Guide de maintien au chaud des aliments » dans cette section.
4. Appuyer sur la touche  pour enregistrer le réglage.
5. Une fois le taux d'humidité réglé, attendre 15 secondes sans appuyer sur une touche pour que l'affichage de température de l'armoire repasse automatiquement au mode opérationnel.

**NOTA:** Les réglages de température et d'humidité peuvent varier en fonction du mode de préparation et de la consistance des produits. L'indicateur de température affiche la température la plus basse à l'intérieur de l'armoire et non la température du produit.

La capacité du réservoir permet un fonctionnement ininterrompu pendant environ 3 à 6 heures, selon les réglages choisis et la fréquence d'ouverture de la porte. Lorsque le voyant rouge de niveau d'eau bas s'allume, ajoutez de l'eau dans le réservoir. La capacité du réservoir d'eau est de 1,9 litres environ.

### ⚠ AVERTISSEMENT

**DANGER DE DÉCHARGE ÉLECTRIQUE :** Un remplissage excessif peut causer une électrocution. La réserve d'eau est pleine quand « LO H2O » cesse de clignoter sur l'affichage température de l'armoire. Arrêter de remplir quand « LO H2O » cesse de clignoter sur l'affichage.



Panneau de contrôle

### Guide de maintien au chaud des aliments

Type d'aliment	Durée Maximum de Maintien au Chaud	Réglage d'humidité	Température	
			°C	°F
Bollos	4 Heures	4	55	130
Morceaux de poulet (frit)	4 Heures	5	80	175
Croissants	4 Heures	1	60	140
Tartes aux fruits	3-1/2 Heures	4	60	140
Rondelles d'oignon	1/2 to 1 Heure	1	80	175
Pizza — Croûte épaisse	1 Heure	4	85	185
Croûte fine	1 Heure	5	82	180
Bretzels	3 Heures	4	60	140
Sandwichs emballés	2 Heures	4	82	180

**NOTA:** Tous les réglages et durées ne sont que des recommandations et peuvent varier en fonction de la préparation du produit, du temps de cuisson et de la température interne de l'aliment.

## Généralités

Les armoires d'exposition avec système d'humidification Flav-R-Fresh® de Hatco sont conçues pour une durabilité et une performance maximales, avec une maintenance réduite.

### **AVERTISSEMENT**

#### DANGER DE DÉCHARGE ÉLECTRIQUE :

- Éteignez l'appareil et débranchez le cordon d'alimentation de la prise secteur et laissez refroidir avant une maintenance ou un nettoyage.
- **NE PAS immerger l'appareil ni le saturer d'eau. L'appareil n'est pas étanche à l'eau. Ne pas le faire fonctionner s'il a été immergé ou saturé d'eau.**
- **Ne pas nettoyer à la vapeur ni utiliser trop d'eau sur l'appareil.**

Cet appareil ne contient aucune pièce réparable par l'utilisateur. Si cet appareil doit être réparé, contacter un réparateur Hatco agréé ou le Service après-vente Hatco au 800-558-0607 ou 414-671-6350.

Pour les réparations, utiliser exclusivement des pièces de rechange Hatco d'origine. Utilisez des pièces détachées Hatco authentiques sous peine d'annuler toutes les garanties et d'exposer l'utilisateur à des tensions électriques dangereuses pouvant entraîner une électrocution ou des brûlures. Les pièces de rechange Hatco d'origine sont conçues pour fonctionner sans danger dans les environnements dans lesquels elles sont utilisées. Certaines pièces de rechange génériques ou de second marché ne présentent pas les caractéristiques leur permettant de fonctionner sans danger dans la matériel Hatco.

## Nettoyage quotidien

Pour préserver les finitions de l'armoire d'exposition, suivre quotidiennement les procédures de nettoyage suivantes.

### **AVIS**

Utiliser uniquement des produits nettoyants non abrasifs. Les produits nettoyants abrasifs peuvent rayer la finition de l'appareil, ce qui altère son apparence et le rend plus susceptible d'accumuler la saleté.

1. Éteindre l'appareil, débrancher le cordon d'alimentation et laisser refroidir l'appareil.
2. Remove and wash all food pans.
3. Passer un chiffon humide sur toutes les surfaces métalliques intérieures et extérieures. Les taches tenaces s'enlèvent avec un bon nettoyant non abrasif. Nettoyer les zones difficiles d'accès avec une petite brosse et du savon doux.

*NOTA: Le présentoir rotatif et le présentoir fixe sont amovibles pour nettoyage, au besoin. Pour les retirer, voir la procédure « Retrait du présentoir rotatif » dans cette section.*

4. Nettoyer l'intégralité de l'armoire avec un chiffon propre et sec non abrasif.
5. Nettoyer les panneaux latéraux en verre et la porte avec un nettoyant pour vitres ordinaires et un chiffon humide doux ou du papier absorbant. Les panneaux latéraux sont amovibles pour un nettoyage minutieux, au besoin. Pour les retirer, voir la procédure « Retrait des panneaux en verre » dans cette section.

## Retrait des panneaux en verre

1. Soulever le panneau en verre de la coulisse inférieure de l'armoire.
2. Écarter le bord inférieur de l'armoire.
3. Abaisser avec précaution le panneau en verre jusqu'à ce que le haut sorte de l'armoire.

## Remise en place du panneau en verre

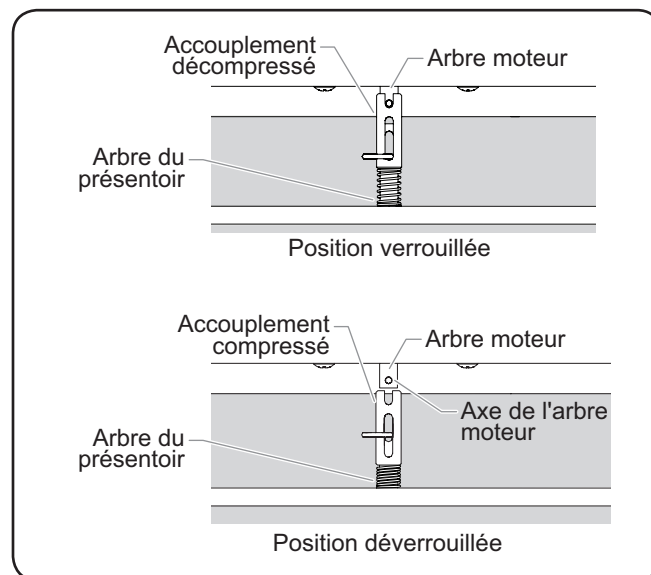
1. Positionner le panneau en verre avec le bord supérieur sous le rebord supérieur de l'armoire, puis soulever le panneau jusqu'à ce qu'il passe la coulisse inférieure de l'armoire.
2. Déplacer le panneau en verre vers l'armoire jusqu'à ce qu'il repose contre le cadre de l'armoire.
3. Abaisser avec précaution jusqu'à ce qu'il repose dans la coulisse inférieure de l'armoire.

## Retrait du Présentoir Rotatif

(Modèles FDWD-1, FDWD-2, and FDWD-12-1)

1. Ouvrir la porte d'accès avant.
2. Tirer sur l'accouplement monté sur ressort qui doit être compressé.
3. Abaisser le présentoir jusqu'à ce que l'arbre du présentoir se désolidarise de l'arbre moteur.

*NOTA: Ne pas retirer la goupille fendue de l'arbre du présentoir.*



Retrait des présentoirs motorisés

## Remise en place du présentoir rotatif

1. Insérer le présentoir dans l'armoire et placer son point le plus bas dans l'encoche située au centre du fond de l'armoire.
2. Tirer sur l'accouplement monté sur ressort qui doit être compressé.
3. Abaisser le présentoir jusqu'à ce que l'arbre du présentoir s'aligne sur l'axe de l'arbre moteur.
4. Décompresser l'accouplement monté sur ressort jusqu'à ce que l'accouplement soit correctement verrouillé sur l'axe de l'arbre moteur.

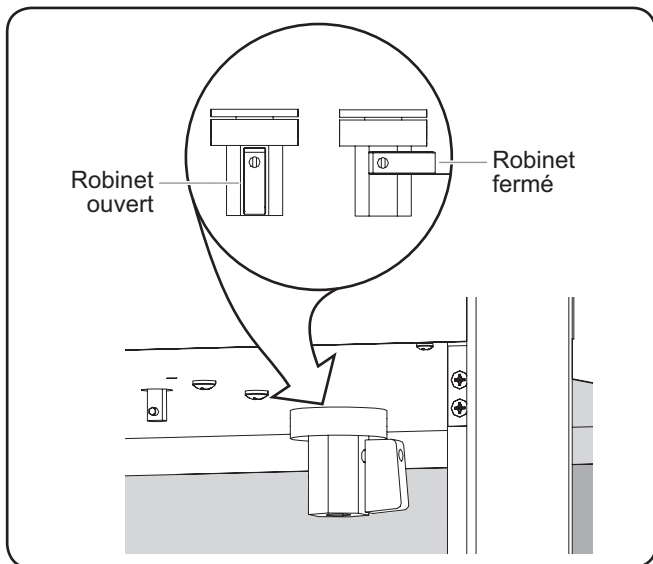
## Vidange du réservoir d'eau

Le réservoir d'eau des modèles humidifiés doit être vidé avant le déplacement de l'armoire, ainsi que durant la procédure « Élimination des dépôts de tartre et de calcaire ».

### ⚠ AVERTISSEMENT

**DANGER DE DÉCHARGE ÉLECTRIQUE: Éteignez l'appareil et débranchez le cordon d'alimentation de la prise secteur et laissez refroidir avant une maintenance ou un nettoyage.**

1. Éteindre l'appareil, débrancher le cordon d'alimentation et laisser refroidir l'appareil.
2. Situer le robinet dans l'armoire sous le plafond. **ATTENTION! DANGER DE BRÛLURE—Le plafond et l'eau du réservoir sont chauds en cours de fonctionnement. Laisser refroidir avant de vider.**
3. Retirez l'ensemble d'étagères de l'élément.
4. Positionner un récipient de 4 litres (un gallon) sous le robinet.
5. Tourner la poignée du robinet de l'horizontale (position fermée) à la verticale (position ouverte) pour vider le réservoir.
6. Une fois le réservoir vide, remettre la poignée du robinet en position fermée.
7. Remplacez l'ensemble d'étagères dans l'élément.



Robinet de vidange du réservoir

**NOTA:** Si l'eau utilisée contient une quantité excessive de tartre ou de calcaire, suivre la procédure "Élimination des dépôts de tartre et de calcaire" pour le nettoyage et le détartrage périodiques du réservoir d'eau.

**NOTA:** Les pannes d'appareil causées par de l'accumulation de tartre et de sédiments ne sont pas couvertes par la garantie.

## Élimination des dépôts de tartre et de calcaire

Procéder comme suit pour le nettoyage et la détartrage périodiques du réservoir d'eau dans les modèles humidifiés.

**NOTA:** La teneur en tartre et en calcaire de l'eau utilisée pour une utilisation quotidienne déterminera la fréquence de détartrage.

**NOTA:** Effectuer cette procédure si l'appareil ne doit pas être utilisé pendant un certain temps, en fin de journée par exemple.

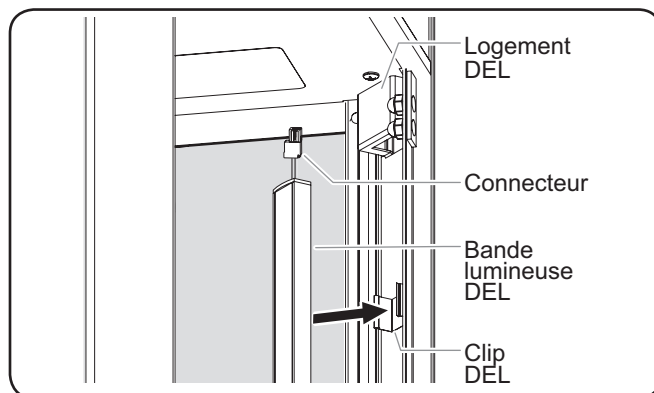
1. Éteindre l'appareil, débrancher le cordon d'alimentation et laisser refroidir l'appareil.
2. Après refroidissement de l'appareil, effectuer la procédure « Vidange du réservoir d'eau » dans cette section.
3. Remplir le réservoir d'eau d'un mélange de 75 % d'eau et 25 % de vinaigre blanc. Ne pas utiliser de vinaigre parfumé.
4. Brancher et mettre l'appareil en marche.
5. Régler la température de l'air et l'humidité au maximum et laisser fonctionner l'appareil pendant 30 minutes.
6. Éteindre l'appareil, débrancher le cordon d'alimentation et laisser refroidir.
7. Effectuer la procédure « Vidange du réservoir d'eau » pour évacuer la solution de détartrage du réservoir d'eau.
8. Continuer à remplir et vider le réservoir à l'eau claire jusqu'à ce que la solution détartrante soit complètement rincée et que l'eau évacuée soit propre.
9. Remplacez l'ensemble d'étagères dans l'élément.
10. Brancher l'appareil sur l'alimentation et remplir le réservoir comme d'habitude pour une utilisation quotidienne en suivant la procédure de la section MODE D'EMPLOI dans ce manuel.

## Remplacer une bande lumineuse DEL

Les appareils sont équipés de deux bandes lumineuses DEL afin d'éclairer la zone de chauffage. Pour tout remplacement de bande lumineuse DEL, utiliser la référence Hatco P/N 04.29.406.00.

Appliquer la procédure suivante pour remplacer une bande lumineuse DEL.

1. Éteindre l'appareil, débrancher le cordon d'alimentation et laisser l'appareil refroidir.
2. Retirer la bande lumineuse DEL des clips la maintenant dans le coin.
3. Tirer le haut de la bande DEL vers le bas pour la retirer de son logement et exposer les connecteurs.
4. Déconnecter les connecteurs de la bande lumineuse DEL à remplacer.
5. Connecter les connecteurs sur la nouvelle bande lumineuse DEL.
6. Rentrer le câblage et le haut de la bande lumineuse DEL dans le logement DEL.
7. Insérer la bande lumineuse DEL dans les clips pour la maintenir.



Remplacer une bande lumineuse DEL  
(porte retirée pour plus de clarté)

## Réglage du mode de détection de détartage

Lorsque le mode de détection de détartage est activé, le panneau de commande indiquera la présence d'une accumulation excessive de calcaire dans les modèles humidifiés en affichant « DE-L » sur l'écran de la Température de l'armoire. Suivre la procédure suivante pour « activer » ou « désactiver » le mode de détection de détartage.

- Appuyer de manière prolongée sur la touche ▲ ou la touche ▼ pendant quatre secondes.
  - Lorsque le mode de détection de détartage est activé, l'écran de Température de l'armoire affiche « L-ON » pendant 3 secondes.
  - Lorsque le mode de détection de détartage est désactivé, l'écran de Température de l'armoire affiche « L-OFF » pendant 3 secondes.

## GUIDE DE DÉPANNAGE

### ⚠ AVERTISSEMENT

La réparation de cet appareil doit être confiée exclusivement à du personnel qualifié. Les réparations par des personnes non qualifiées peuvent provoquer des décharges électriques et des brûlures.

### ⚠ AVERTISSEMENT

**DANGER DE DÉCHARGE ÉLECTRIQUE:** Éteignez l'appareil et débranchez le cordon d'alimentation de la prise secteur et laissez refroidir avant une maintenance ou un nettoyage.

Symptôme	Cause Probable	Solution	
Les lumières DEL ne fonctionnent pas.	Branchements desserrés.	Vérifier que les branchements sont bien fixés.	
	Le circuit DEL est défectueux.	Contactez un réparateur agréé ou Hatco pour obtenir de l'aide.	
	La bande lumineuse DEL est défectueuse.	Remplacer la bande lumineuse DEL. Veuillez vous reporter à la procédure « Remplacement d'une bande lumineuse DEL » décrite dans la section ENTRETIEN.	
L'appareil fonctionne, mais l'air ne circule pas dans l'armoire.	Moteur de soufflerie défectueux.	Contactez votre agent de maintenance agréé ou Hatco pour assistance.	
	La tension fournie à la soufflerie n'est peut-être pas correcte.		
L'appareil est branché, mais rien ne marche.	Appareil non alimenté.	Vérifier la prise électrique et s'assurer que l'alimentation correspond aux caractéristiques techniques de l'appareil. Si la prise ne fonctionne pas, vérifier le disjoncteur et le réarmer, ou brancher l'appareil sur une autre prise fonctionnelle.	
	Cordon d'alimentation mal enfiché ou débranché.	Contactez votre agent de maintenance agréé ou Hatco pour assistance.	
	Cordon d'alimentation endommagé.		
L'appareil est opérationnel, mais le présentoir rotatif (le cas échéant) ne tourne pas.	Interrupteur POWER ON/OFF (I/O) défectueux.	Contactez votre agent de maintenance agréé ou Hatco pour assistance.	
	Le commutateur de proximité n'a pas été déplacé après inversion de la porte.		Voir « Déplacement du commutateur de proximité » à la section INSTALLATION de ce manuel.
	L'aimant ou le commutateur de proximité ne fonctionne pas bien.		Contactez votre agent de maintenance agréé ou Hatco pour assistance.
	Vérifier si la tension correcte est fournie au moteur du présentoir.		
Le présentoir avec moteur est défectueux.			



Symptôme	Cause Probable	Solution
L'appareil ne produit pas d'air chaud dans l'armoire.	La limite de sécurité est enclenchée ou ouverte.	Contactez votre agent de maintenance agréé ou Hatco pour assistance.
	Vérifier si la tension correcte est fournie à l'élément chauffant.	
	Moteur de soufflerie défectueux.	
	Élément chauffant de l'air défectueux.	
	Le panneau de commande est défectueux.	
	La sonde de température est défectueuse.	
L'appareil chauffe mais génère trop d'humidité à l'intérieur de l'armoire, provoquant ainsi de la condensation.	Le contrôle de l'humidité est réglé à un niveau trop élevé.	Régler le contrôle de l'humidité à un niveau plus bas.
	La température de l'air est réglée à un niveau trop bas.	Régler la température à un niveau plus élevé.
	Le contrôle de l'humidité est défectueux.	Contactez votre agent de maintenance agréé ou Hatco pour assistance.
L'appareil chauffe, mais ne produit pas d'humidité dans l'armoire. « LO H20 » ne clignote pas et l'appareil est rempli d'eau.	Tension incorrecte fournie à l'élément chauffant de l'eau ou élément chauffant défectueux.	Contactez votre agent de maintenance agréé ou Hatco pour assistance.
	L'élément d'humidité est défectueux.	
L'appareil chauffe, mais ne produit pas d'humidité dans l'armoire. « LO H20 » clignote et l'appareil est rempli d'eau.	Avec de l'eau distillée utilisée, aucun minéral n'est détecté par la sonde de bas niveau d'eau.	Lors du remplissage initial, ajouter une cuillère à café de sel dans le réservoir d'eau.
	Le système de protection contre un bas niveau d'eau fonctionne mal.	Contactez votre agent de maintenance agréé ou Hatco pour assistance.
	Les sondes sont entartrées.	Reportez-vous à la procédure « Retrait des dépôts de calcaire et de minéraux » décrite dans la section Maintenance de ce manuel.

## Codes d'erreur

Les codes d'erreur suivants pourront apparaître sur l'affichage numérique pour indiquer une erreur de fonctionnement de l'appareil.

**LO H20** = La sonde de bas niveau d'eau ne détecte pas d'eau. Remplir le réservoir d'eau — voir les instructions à la section MODE D'EMPLOI de ce manuel.

**E1** = Le capteur de température d'air fonctionne mal. Contacter un agent de maintenance agréé par Hatco ou Hatco pour assistance.

**E2** = Le capteur d'humidité fonctionne mal. Contacter un agent de maintenance agréé par Hatco ou Hatco pour assistance.

**dE-L** = Le réservoir d'eau nécessite un détartrage. Veuillez vous reporter à la procédure « Retrait des dépôts de calcaire et de minéraux » décrite dans la section ENTRETIEN de ce manuel pour nettoyer et détartrer le réservoir d'eau. Veuillez vous reporter à la procédure « Réglage du mode de détection de détartrage » décrite dans la section ENTRETIEN de ce manuel pour « activer » ou « désactiver » le mode de détection de détartrage. Contactez un réparateur agréé ou Hatco pour obtenir de l'aide.

## Vous avez des questions en ce qui concerne les pannes?

Si le problème persiste, veuillez contacter l'agence d'entretien agréée Hatco la plus proche ou Hatco pour obtenir une assistance. Pour trouver l'agence d'entretien la plus proche, rendez-vous sur le site Internet de Hatco ([www.hatcocorp.com](http://www.hatcocorp.com)) et sélectionnez le menu déroulant *Support (Assistance)*, puis cliquez sur « Find A Service Agent » (trouver un agent d'entretien); ou contactez l'équipe d'entretien et de pièces détachées de Hatco :

**Numéro de téléphone:** 800-558-0607 or 414-671-6350

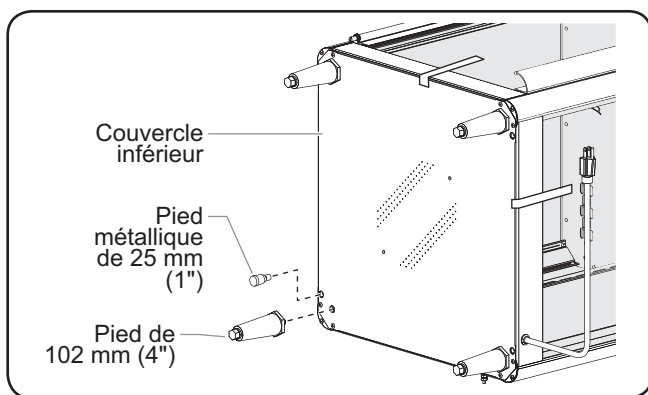
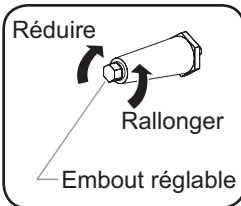
**Courriel:** [support@hatcocorp.com](mailto:support@hatcocorp.com)

## Pieds réglables de 102 mm (4")

Les pieds réglables de 102 mm (4") permettent d'ajouter une hauteur supplémentaire à l'appareil.

1. Retirez l'ensemble d'étagères de l'appareil.
2. Fixer tous les panneaux et les portes en verre avec du ruban adhésif. Coucher l'appareil sur le côté sans le panneau de commande.
3. Retirez les quatre pieds de 25 mm (1") de type vis métallique.

4. Visser les pieds de 102 mm (4") dans les trous au milieu de chaque support en cornière. Une fois tous les pieds vissés, remettre l'appareil à la verticale. Si l'appareil n'est pas calé ou branle, tourner l'extrémité réglable du pied approprié pour caler l'appareil.



Installation des pieds

## Supports d'enseigne (FDWD-1, FDWD-1X, FDWD-2, et FDWD-2X)

Suivez la procédure suivante pour installer un support d'étiquette.

### ⚠ AVERTISSEMENT

**DANGER DE DÉCHARGE ÉLECTRIQUE :** Mettez l'unité hors tension depuis l'interrupteur, débranchez le cordon d'alimentation et laissez l'unité refroidir avant d'effectuer tout nettoyage, tout réglage ou tout entretien.

### Installation d'un support d'enseigne un côté et côté service

Les supports d'enseigne un côté et côté service sont disponibles en option.

Les supports d'enseigne un côté peuvent être installés sur n'importe quel côté de l'appareil, à l'exception du côté service. Jusqu'à trois supports d'enseigne un côté peuvent être installés sur un appareil. Les supports d'enseigne un côté sont disponibles en deux tailles : 7,62 cm (3") et 14,28 cm (6-3/8").

Les supports d'enseigne côté service ne peuvent être installés que du côté service. L'enseigne doit être retirée hors du support d'enseigne pour accéder aux commandes et au réservoir d'eau. La hauteur des supports d'enseigne côté service est de 14,28 cm.

Les supports d'enseigne sont disponibles dans toutes les couleurs Designer pour être en harmonie avec l'appareil.

NOTA: La signalisation n'est pas fournie par Hatco. Les dimensions des enseignes sont les suivantes :

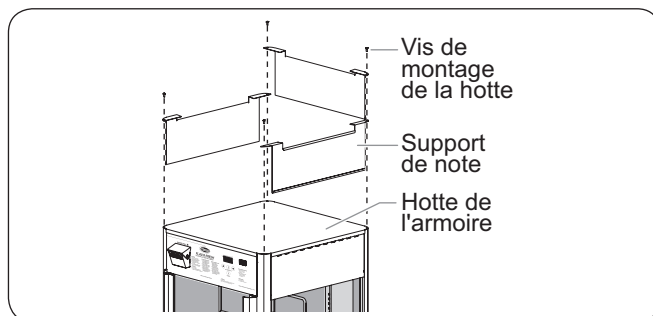
Support 7,62 cm (3") = 48,4 cm x 8,3 cm (19-1/16" x 3-1/4")

Support 14,28 cm (6-3/8") = 49,1 cm x 15,9 cm (19-5/16" x 6-1/4")

1. Retirer les vis de montage appropriées de la hotte de l'armoire. Le nombre de vis à retirer dépend du nombre de supports d'enseigne installés et de leur lieu d'installation.
2. Aligner les trous de montage du/des support(s) d'enseigne sur les orifices de montage de la hotte de l'armoire.
3. Insérer les vis de montage de la hotte dans les orifices du/des support(s) d'enseigne et de la hotte de l'armoire. Serrez-les fermement.

NOTA: Si plusieurs supports d'enseigne sont installés sur le présentoir, il est peut-être nécessaire d'insérer certaines vis de montage de la hotte dans les deux supports d'enseigne et de les fixer.

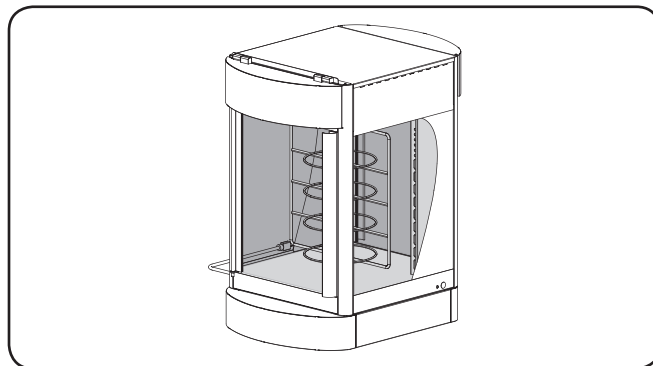
4. Placer la/les vitre(s) en polycarbonate dans le support d'enseigne.



Installation du support d'enseigne de présentoir

## Kits décoratifs

Plusieurs kits décoratifs sont disponibles pour les modèles FDWD-1, -1X, -2 et -2X. Les instructions d'installation sont incluses dans les kits.



Modèle FDWD-2 équipé de kits décoratifs

### Kits pour le couvercle supérieur

Maintiendront une enseigne magnétique d'une dimension maximale de 584 x 149 mm (23" x 5-7/8").

**FDWD-CTLH** = Couvercle courbe à charnière, côté du panneau de commande

**FDWD-CUSH** = Couvercle courbe à charnière, côté opposé au panneau de commande

### Kits de façades latérales

**FDWD-INSET1** = Deux panneaux de façade, décor en forme de croissant

**FDWD-INSET2** = Deux panneaux de façade, décor en forme de vague

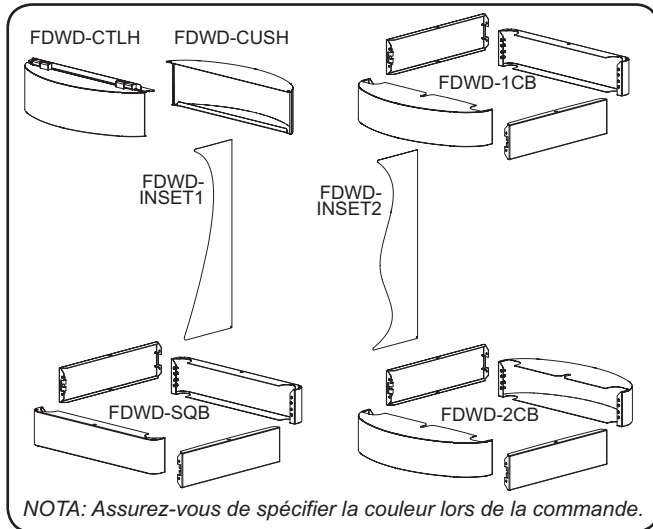
**Kits de plinthe (nécessitent des pieds de 102 mm [4"] non compris)**

Maintiendront une enseigne magnétique d'une dimension maximale de 508 x 89 mm (20" x 3-1/2").

**FDWD-SQB** = Panneaux latéraux, arrière et avant plats

**FDWD-1CB** = Panneaux latéraux et arrière plats et panneau avant courbe

**FDWD-2CB** = Panneaux latéraux plats et panneau arrière et avant courbes



NOTA: Assurez-vous de spécifier la couleur lors de la commande.

Kits décoratifs

**Porte à fermeture automatique**

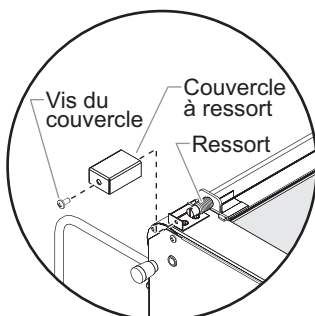
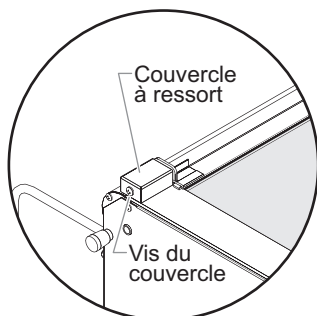
Une porte à fermeture automatique en option est disponible pour les modèles FDWD-1, -1X, -2 et -2X.

NOTA: Une porte à fermeture automatique ne peut pas être inversée.

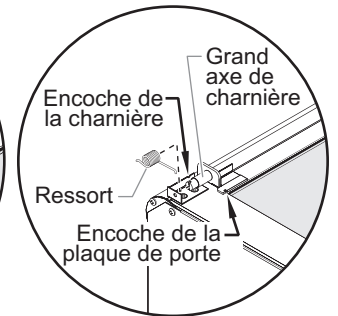
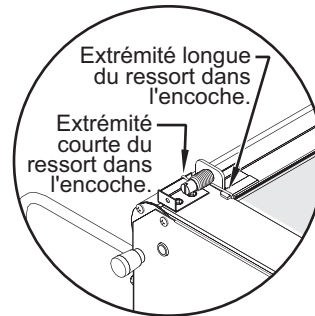
**Nettoyage d'une porte à fermeture automatique**

Il est nécessaire de retirer le couvercle à ressort et le ressort pour le nettoyage. Pour nettoyer la porte à fermeture automatique, suivre la procédure ci-dessous.

1. Arrêter l'appareil et le débrancher. Laisser refroidir complètement l'appareil.
2. Retirer tous les panneaux et tous les présentoirs de l'armoire.
3. Vider toute l'eau du réservoir. Pour plus d'informations, se reporter à la section MAINTENANCE.
4. Coucher avec précaution l'appareil pour que la porte qui doit être retirée soit face à vous. Si l'appareil doit être couché du côté du panneau de commande, veiller à ne pas endommager le réservoir et les commandes.
5. Retirer le couvercle à ressort en dévissant la vis du couvercle.



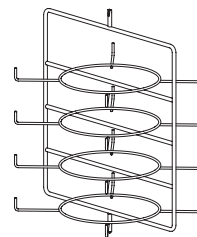
6. Ôter le ressort du grand axe de charnière.
  - a. Retirer les deux extrémités du ressort de l'encoche de la charnière et de l'encoche de la plaque de porte (utiliser une pince à bec fin pour une meilleure prise).
  - b. Faire glisser le ressort de l'axe.



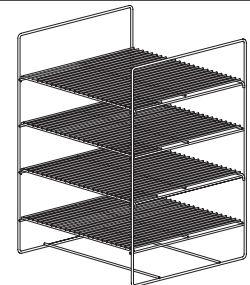
7. Nettoyer le ressort et la charnière du couvercle.
8. Réinstaller le ressort et le couvercle du ressort.

**Présentoirs**

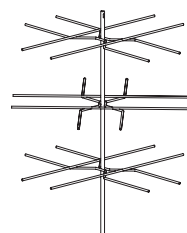
Pour des services alimentaires spécifiques, il est possible de personnaliser plusieurs présentoirs Flav-R-Fresh®. Tous les présentoirs disponibles sont chromés, à l'exception des présentoirs pour bretzels qui sont en acier inoxydable.



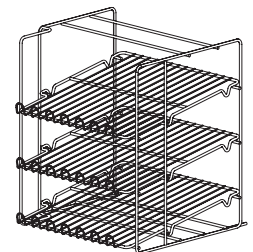
**Présentoir circulaire à 4 étagères avec dispositifs de retenue\***  
 Modèle FDWD4TCR  
 Ouverture de 83 mm (3-1/4") entre les présentoirs.  
 Plateaux de 381 mm (15") de diamètre maximum.



**Présentoir à 4 étagères multi-usages**  
 Modèle FDW4SMP  
 Ouverture de 95 mm (3-3/4") entre les étagères.  
 La 1ère et la 3ème étagères peuvent être retirées.



**Ensemble de 3 étagères à bretzels\***  
 Modèle FDW3TPT  
 Ouverture de 149 mm (5-7/8") entre les présentoirs.



**Présentoir incliné à 3 étagères**  
 Modèle FDW3SAR  
 Ouverture de 95 mm (3-3/4") entre les présentoirs

\* Les présentoirs sont conçus pour être utilisés avec une vitrine motorisée.

Présentoirs

## Accouplement de présentoir sans moteur

L'accouplement de présentoir sans moteur permet l'installation fixe d'un ensemble à 4 étagères circulaires ou d'un ensemble à 3 étagères à bretzels dans les armoires qui ne sont pas motorisées (FDWD-1X et -2X).



Accouplement de présentoir sans moteur

## Lumières DEL

Les lumières DEL sont disponibles comme accessoires et sont proposées en deux options de sortie couleur : Blanc chaud (standard) et blanc neutre.

## GARANTIE LIMITÉE

### 1. GARANTIE DU PRODUIT

Hatco garantit que les produits qu'il fabrique (les « Produits ») sont exempts de défauts de matériel et de fabrication, dans des conditions normales d'utilisation et de maintenance, pour une période d'un (1) an à partir de la date d'achat à condition que l'appareil soit installé et entretenu conformément aux instructions écrites de Hatco ou 18 mois après la date de l'expédition par Hatco. L'acheteur doit prouver la date d'achat du Produit par l'enregistrement de ce dernier auprès de Hatco ou par d'autres moyens satisfaisants pour Hatco, à sa seule discrétion.

Hatco garantit que les composants du Produit suivants sont exempts de défauts de matériel et de fabrication à partir de la date d'achat (sous réserve des conditions précédentes) pour la ou les périodes de temps et en fonction des conditions listées ci-dessous :

- a) **Garantie d'un (1) an pour les pièces et la main-d'œuvre PLUS un (1) an supplémentaire pour les pièces uniquement :**  
 Éléments du grille-pain à convoyeur (enveloppe métallique)  
 Éléments des tiroirs chauffants (enveloppe métallique)  
 Tiroirs, roues et glissières des tiroirs chauffants  
 Éléments des rampes chauffantes (enveloppe métallique)  
 Éléments des vitrines chauffantes  
 (enveloppe métallique, air chauffant)  
 Éléments des armoires de stockage  
 (enveloppe métallique, air chauffant)  
 Éléments des compartiments chauffants —  
 série HW et HWB (enveloppe métallique)
- b) **Garantie de deux (2) ans pour les pièces et la main-d'œuvre :**  
 Gammes à induction  
 Réchauds à induction
- c) **Garantie d'un (1) an pour les pièces et la main-d'œuvre PLUS quatre (4) ans pour les pièces uniquement :**  
 Cuves 3CS et FR
- d) **Garantie d'un (1) an pour les pièces et la main-d'œuvre PLUS neuf (9) ans pour les pièces uniquement :**  
 Cuves des appareils de chauffage d'appoint électriques  
 Cuves des appareils de chauffage d'appoint à gaz
- e) **Garantie de quatre-vingt-dix (90) jours pour les pièces uniquement :**  
 Pièces de rechange

LES GARANTIES PRÉCÉDENTES SONT EXCLUSIVES ET REMPLACENT TOUTES AUTRES GARANTIES, EXPRESSES OU IMPLICITES, COMPRENANT, MAIS NE SE LIMITANT PAS, À TOUTES GARANTIES IMPLICITES DE QUALITÉ MARCHANDE OU DE FINALITÉ PARTICULIÈRE OU TOUTS BREVETS OU TOUTES AUTRES ATTEINTES AUX DROITS DE LA PROPRIÉTÉ INTELLECTUELLE. Sans restreindre la portée générale des énoncés précédents, CES GARANTIES NE COUVRENT PAS LES ÉLÉMENTS SUIVANTS : ampoules d'éclairage à incandescence enduites, lumières fluorescentes, ampoules de lampes chauffantes, ampoules d'éclairage à halogène enduites, ampoules de lampes chauffantes au xénon, tubes d'éclairage DEL, composants en verre et fusibles ; défaut de produit dans la cuve d'un appareil de chauffage d'appoint, dans un échangeur de chaleur à tubes à ailettes ou tout autre équipement de chauffage d'eau causé par la calcification, l'accumulation de sédiments, la réaction d'un produit chimique ou le gel ; ou une mauvaise utilisation, une manipulation ou une mauvaise application, une installation inappropriée du Produit ou l'utilisation d'une tension inappropriée.

### 2. LIMITES DES RECOURS ET DES DOMMAGES

La responsabilité de Hatco et la seule voie de recours de l'acheteur prévues par les présentes seront limitées exclusivement, au gré de Hatco, à la réparation ou au remplacement à l'aide de pièces ou de Produits nouveaux ou remis à neuf par Hatco ou un centre de réparation agréé par Hatco (sauf si l'acheteur se situe hors des États-Unis, du Canada, du Royaume-Uni ou de l'Australie, auquel cas la responsabilité de Hatco et la seule voie de recours de l'acheteur seront limitées exclusivement au remplacement des pièces concernées par la garantie) à l'égard de toute revendication effectuée dans les délais de garantie applicables mentionnés ci-dessus. Hatco se réserve le droit d'accepter ou de rejeter toute réclamation en partie ou dans son intégralité. Dans le cadre de cette Garantie limitée, « remis à neuf » signifie une pièce ou un Produit dont les caractéristiques techniques d'origine ont été restaurées par Hatco ou un centre de réparation agréé par Hatco. Hatco n'acceptera aucun retour de Produits sans qu'il n'ait auparavant donné son accord écrit, et tous ces retours approuvés doivent être effectués aux seuls frais de l'acheteur. HATCO NE SERA PAS TENU RESPONSABLE, DANS AUCUNE CIRCONSTANCE, DES DOMMAGES CONSÉCUTIFS OU INDIRECTS, COMPRENANT, MAIS NE SE LIMITANT PAS, AUX COÛTS DE MAIN-D'ŒUVRE OU PERTES DE PROFITS DUS À UNE UTILISATION OU À UNE IMPOSSIBILITÉ D'UTILISER LES PRODUITS OU DUS AU FAIT QUE LES PRODUITS ONT ÉTÉ INTÉGRÉS DANS OU QU'ILS SONT DEVENUS UN COMPOSANT DE TOUT AUTRE PRODUIT OU BIEN.



---

---

---

---

---

---

---

---

---

---

---

---

---

---

---

---

---

---

---

---

---

---

---



# AUTHORIZED PARTS DISTRIBUTORS • DISTRIBUTEURS DE PIÈCES AUTORISÉS

## ALABAMA

Jones McLeod Appl. Svc.  
Birmingham 205-251-0159

## ARIZONA

Tech 24  
Phoenix 602-234-2443

Byassee Equipment Co.  
Phoenix 602-252-0402

## CALIFORNIA

Industrial Electric  
Commercial Parts & Service, Inc.  
Huntington Beach 714-379-7100

Chapman Appl. Service  
San Diego 619-298-7106

P & D Appliance  
Commercial Parts & Service, Inc.  
S. San Francisco 650-635-1900

## COLORADO

Hawkins Commercial Appliance  
Englewood 303-781-5548

## FLORIDA

Whaley Foodservice Repair  
Jacksonville 904-725-7800

Whaley Foodservice Repair  
Orlando 407-757-0851

B.G.S.I./Heritage  
Pompano Beach 954-971-0456

Comm. Appliance Service  
Tampa 813-663-0313

## GEORGIA

Heritage Service Group  
Norcross 866-388-9837

## HAWAII

Burney's Comm. Service, Inc.  
Honolulu 808-848-1466

Food Equip Parts & Service  
Honolulu 808-847-4871

## ILLINOIS

Parts Town  
Addison 708-865-7278

Eichenauer Elec. Service  
Decatur 217-429-4229

Midwest Elec. Appl. Service  
Elmhurst 630-279-8000

Cone's Repair Service  
Moline 309-797-5323

## IOWA

Goodwin Tucker Group  
Des Moines 515-262-9308

## KENTUCKY

Tech 24  
Lexington 859-254-8854

Tech 24  
Louisville 502-451-5411

## LOUISIANA

Chandlers Parts & Service  
Baton Rouge 225-272-6620

## MARYLAND

Electric Motor Service  
Baltimore 410-467-8080

## MASSACHUSETTS

Ace Service Co., Inc.  
Needham 781-449-4220

## MICHIGAN

Bildons Appliance Service  
Detroit 248-478-3320

Commercial Kitchen Service  
Bay City 989-893-4561

Midwest Food Equip. Service  
Grandville 616-261-2000

## MISSOURI

General Parts  
Kansas City 816-421-5400

Commercial Kitchen Services  
St. Louis 314-890-0700

Kaemmerlen Parts & Service  
St. Louis 314-535-2222

## NEBRASKA

Anderson Electric  
Omaha 402-341-1414

## NEVADA

Burney's Commercial  
Las Vegas 702-736-0006

Hi. Tech Commercial Service  
N. Las Vegas 702-649-4616

## NEW JERSEY

Jay Hill Repair  
Fairfield 973-575-9145

Service Plus  
Flanders 973-691-6300

## NEW YORK

Alpro Service Co.  
Maspeth 718-386-2515

Duffy's - AIS  
Buffalo 716-884-7425

3Wire  
Plattsburgh 800-634-5005

Duffy's - AIS  
Sauquoit 800-836-1014

J.B. Brady, Inc.  
Syracuse 315-422-9271

## NORTH CAROLINA

Authorized Appliance  
Charlotte 704-377-4501

## OHIO

Akron/Canton Comm. Svc. Inc.  
Akron 330-753-6634

Tech 24  
Cincinnati 513-772-6600

Commercial Parts and Service  
Columbus 614-221-0057

Electrical Appl. Repair Service  
Brooklyn Heights 216-459-8700

E. A. Wichman Co.  
Toledo 419-385-9121

## OKLAHOMA

Hagar Rest. Service, Inc.  
Oklahoma City 405-235-2184

## OREGON

General Parts Group  
Portland 503-624-0890

## PENNSYLVANIA

Elmer Schultz Services  
Philadelphia 215-627-5401

FAST Comm. Appl. Service  
Philadelphia 215-288-4800

AIS Commercial Parts and Service  
Pittsburgh 412-809-0244

K & D Service Co.  
Harrisburg 717-236-9039

Electric Repair Co.  
Reading 610-376-5444

## RHODE ISLAND

Marshall Electric Co.  
Providence 401-331-1163

## SOUTH CAROLINA

Whaley Foodservice Repair  
Lexington 803-996-9900

## TENNESSEE

Camp Electric  
Memphis 901-527-7543

## TEXAS

Armstrong Repair Service  
Houston 713-666-7100

Cooking Equipment Specialist  
Mesquite 972-686-6666

Commercial Kitchen Repair Co.  
San Antonio 210-735-2811

## UTAH

La Monica's Rest. Equip. Service  
Murray 801-263-3221

## VIRGINIA

Daubers  
Norfolk 757-855-4097

Daubers  
Springfield 703-866-3600

## WASHINGTON

3Wire  
Seattle 800-207-3146

## WISCONSIN

A.S.C., Inc.  
Madison 608-246-3160

A.S.C., Inc.  
Milwaukee 414-543-6460

## CANADA

### ALBERTA

Key Food Equipment Service  
Edmonton 780-438-1690

### BRITISH COLUMBIA

Key Food Equipment Service  
Vancouver 604-433-4484

Key Food Equipment Service  
Victoria 250-920-4888

### MANITOBA

Air Rite, Inc.  
Winnipeg 204-895-2300

### NEW BRUNSWICK

EMR Services, Ltd.  
Moncton 506-855-4228

### ONTARIO

R.G. Henderson Ltd.  
Toronto 416-422-5580

Choquette - CKS, Inc.  
Ottawa 613-739-8458

### QUÉBEC

Choquette - CKS, Inc.  
Montreal 514-722-2000

Choquette - CKS, Inc.  
Québec City 418-681-3944

## UNITED KINGDOM

Marren Group  
Northants +44(0)1933 665313

**HATCO CORPORATION**

**P.O. Box 340500**

**Milwaukee, WI 53234-0500 U.S.A.**

**800-558-0607 414-671-6350**

**support@hatcocorp.com**

**www.hatcocorp.com**

**Register your unit online!**

See IMPORTANT OWNER INFORMATION  
section for details.

**S'inscrire en ligne!**

Lisez la section INFORMATIONS IMPORTANTES  
POUR LE PROPRIÉTAIRE pour plus de informations.