



POWERMITE[®]

Gas Booster Heater

PMG Series

PMG-60

PMG-100

PMGH-60

PMG-200

REPLACEMENT PARTS LIST

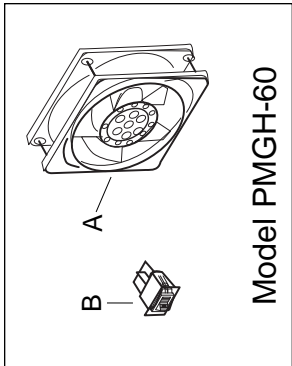
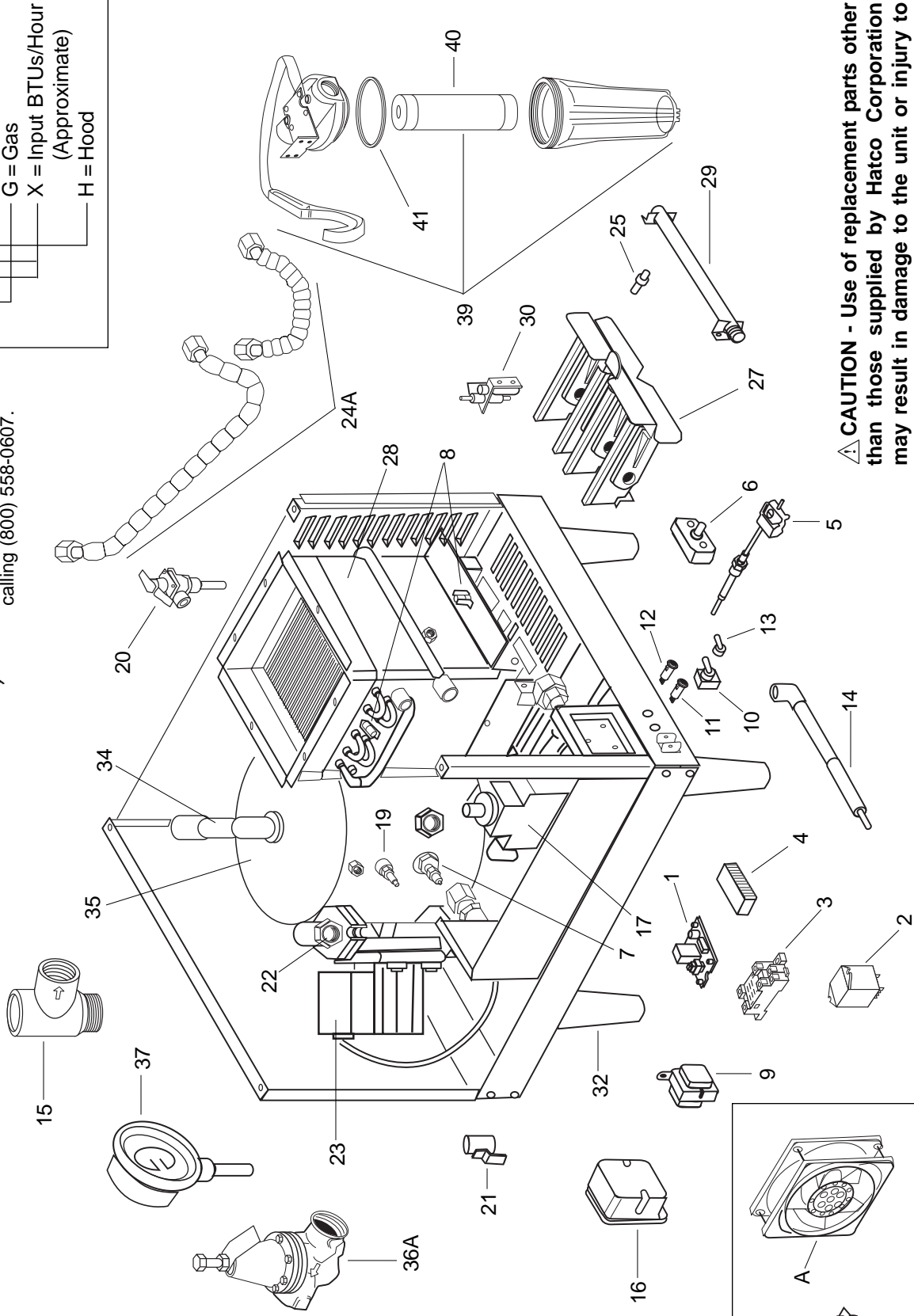
HATCO POWERMITE® PMG-60 GAS BOOSTER HEATER

24 Hour 7 Day Parts
& Service Assistance
available in the United
States and Canada by
calling (800) 558-0607.



Model Designation

PMG-XXH	P = Power
	M = Mite
	G = Gas
	X = Input BTUs/Hour (Approximate)
	H = Hood



Model PMGH-60

CAUTION - Use of replacement parts other than those supplied by Hatco Corporation may result in damage to the unit or injury to personnel.

PARTS COMMON TO ALL PMG-60 MODELS

ITEM	DESCRIPTION	PART NO.	QTY.	ITEM	DESCRIPTION	PART NO.	QTY.
1	Low Water Cut Off Board 120V	R02.01.210.00	1	24B	Water Line Gasket*	05.06.066.00	4
2	Relay 24VAC Relay DPDT	02.01.116.00	1	25	NAT Gas Orifice #55	03.12.002.00	8
3	Socket for Mini Relay	02.01.125.00	1	26	LP Gas Orifice #68*	03.12.003.00	8
4	Sectional T-Block Complete	02.15.027.00	1	27	Burner Blade Assembly	R03.12.007.00	1
5	Tank High Limit, Manual Reset	02.16.116.00	1	28	Heat Exchanger	R03.12.008.00	1
6	Control Thermostat with Probe	R02.16.068.00	1	29	Gas Manifold	03.12.009.00	1
7	Temperature Control Probe	R02.16.069.00	1	30	NAT Gas Pilot Assembly with Orifice	03.12.010.00	1
8	Flame Rollout High Limit/ Heat Exchanger High Limit	02.16.106.00	2	31	LP Gas Pilot Conversion - Orifice Only*	03.12.011.00	1
9	Transformer 120/24V (40VA)	02.17.034.00	1	32	6" (152 mm) Plastic Legs★	05.30.069.00	4
10	Toggle Switch, On/Off	R02.19.008A.00	1	33	6" (152 mm) Stainless Legs★	05.30.070.00	4
11	Indicator Light, Green 120 Volt	02.19.070G.00	1	34	Water Manifold		
12	Indicator Light, Red 120 Volt	02.19.070R.00	1		3/4" Assembly	R03.04.004.00	1
13	Boot Cover, Toggle Switch	02.20.040.00	1	35	Tempering Tank	01.05.003.00	1
14	Pilot Spark Cable, High Voltage	02.21.019.00	1	36A	Pressure Reducing Valve, Iron	03.02.004.00	1
15	Back Pressure Relief Valve (Optional)	03.02.039.00	1	36B	Pressure Reducing Valve, Brass* (Optional)	03.02.015.00	1
16	Ignition Module	R02.21.022.00	1	37	Temperature Pressure Gauge	03.01.003.00	2
17	Natural Gas Combination Valve	02.21.023.00	1	38	LP Gas Conversion Kit, (Includes LP Gas Valve, Orifices and Pilot)*	R00.02.0004.00	1
18	LP Gas Combination Valve - Conversion Kit*	02.21.024.00	1		Water Treatment Canister and Cartridge	03.05.061.00	1
19	Low Water Cut Off Probe	02.40.001.00	1	39	Cartridge Only	03.05.061A.00	1
20	T/P Relief Valve	03.02.020.00	1	40	O-Ring Gasket	03.05.061B.00	1
21	Manual Shut Off Valve	03.02.025.00	1	41			
22	Pump Flange Kit with Bolts	03.05.026.00	1				
23	Recirculating Pump	R03.05.027.00	1				
24A	Flexible Water Lines†	R03.05.049.00	2				

* Not Shown

★ Units manufactured in October 1999 or before use part number 04.01.013.00 for the replacement leg.

† Gasket should be replaced at each joint being serviced using Item #24B.

NOTE: Order Kit, Item 38, when converting units to LP gas.

NOTE: Consult factory if replacing Orifices or Burner Assembly to ensure proper sizing.

NOTE: When calling for parts/service, please supply altitude of installation location and fuel type.

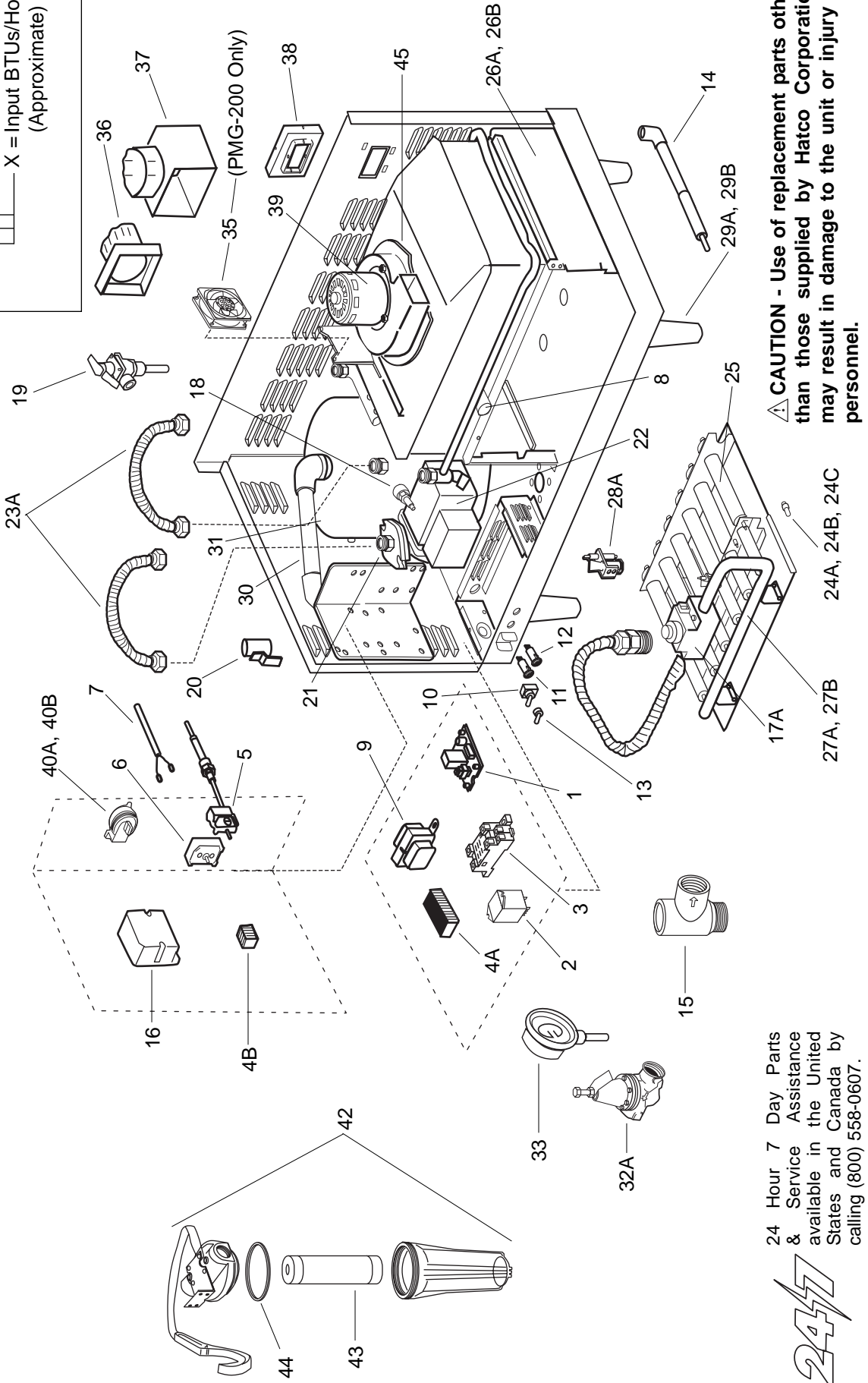
PARTS COMMON TO ALL PMGH-60 MODELS

ITEM	DESCRIPTION	PART NO.	QTY.	ITEM	DESCRIPTION	PART NO.	QTY.
A	Blower Motor - 120 Volt	02.12.001.00	1	B	On/Off Rocker Switch	02.19.080.00	1

HATCO POWERMITE® PMG-100 and PMG-200 GAS BOOSTER HEATER

Model Designation

PMG-XXX	P = Power
	M = Mite
	G = Gas
X	= Input BTUs/Hour (Approximate)



24 Hour 7 Day Parts
& Service Assistance
available in the United
States and Canada by
calling (800) 558-0607.



PARTS COMMON TO ALL PMG-100 & PMG-200 MODELS

ITEM	DESCRIPTION	PART NO.	QTY.	ITEM	DESCRIPTION	PART NO.	QTY.
1	Low Water Cut Off Board 120V	R02.01.210.00	1	26A	Heat Exchanger (PMG-100)	R03.12.013B.00	1
2	Relay 24VAC Relay DPDT	02.01.116.00	1	26B	Heat Exchanger (PMG-200)	R03.12.017B.00	1
3	Socket for Mini Relay	02.01.125.00	1	27A	Gas Manifold (PMG-100)	03.12.015.00	1
4A	Sectional T-Block 30P Control	02.15.032.00	1	27B	Gas Manifold (PMG-200)	03.12.019.00	1
4B	Sectional T-Block 8P Distribution	02.15.033.00	1	28A	NAT Gas Pilot Assembly with Orifice	03.12.010.00	1
5	Tank High Limit, Manual Reset	02.16.116.00	1	28B	LP Pilot Conversion Orifice*	03.12.011.00	1
6	Control Thermostat with Probe	R02.16.068.00	1	29A	6" (152 mm) Plastic Legs★	05.30.069.00	4
7	Temperature Control Probe	R02.16.069.00	1	29B	6" (152 mm) Stainless Legs★	05.30.070.00	4
8	Heat Exchanger High Limit	02.16.106.00	1	30	Heat Trap Assembly	AS.141.00	1
9	Transformer 120/24V (40VA)	02.17.034.00	1	31	Tempering Tank	01.05.005.00	1
10	Toggle Switch DPST	R02.19.008A.00	1	32A	Pressure Reducing Valve, Iron	03.02.004.00	1
11	Indicator Light, Green 120 Volt	02.19.070G.00	1	32B	Pressure Reducing Valve, Brass* (Optional)	03.02.015.00	1
12	Indicator Light, Red 120 Volt	02.19.070R.00	1	33	Temperature Pressure Gauge	03.01.003.00	2
13	Boot Cover, Toggle Switch	02.20.040.00	1	34A	Flexible Gas Line (PMG-100)	03.12.014.00	1
14	Pilot Spark Cable, High Voltage	02.21.026.00	1	34B	Flexible Gas Line (PMG-200)	03.12.018.00	1
15	Back Pressure Relief Valve (Optional)	03.02.039.00	1	35	Cooling Fan (PMG-200 Only)	02.12.008A.00	1
16	Ignition Module	R02.21.022.00	1	36	Straight Exhaust Adapter	R04.28.052.00	1
17A	Natural Gas Combination Valve	02.21.025.00	1	37	Right Angle Exhaust Adapter	R04.28.053.00	1
17B	LP Gas Conversion Kit*	02.21.024.00	1	38	Exhaust Outlet Box	R04.28.077.00	1
18	Low Water Cut Off Probe	02.40.001.00	1	39	Exhaust Blower	R02.12.052.00	1
19	T/P Relief Valve	03.02.022.00	1	40A	Pressure Switch (PMG-100)	02.21.027.00	1
20	Manual Shut Off Valve	03.02.027.00	1	40B	Pressure Switch (PMG-200)	02.21.028.00	1
21	Pump Flange Kit with Bolts	03.05.026.00	1	41	LP Gas Conversion Kit (Includes LP Gas Valve, Orifices and Pilot)*	R00.02.0005.00	1
22	Recirculating Pump	R03.05.052.00	1	42	Water Treatment Canister and Cartridge	03.05.061.00	1
23A	Flexible Water Linest	R03.05.049.00	2	43	Cartridge Only	03.05.061A.00	1
23B	Water Line Gasket*	05.06.066.00	4	44	O-Ring Gasket	03.05.061B.00	1
24A	NAT Gas Orifice #34 (PMG-100)	03.12.016.00	3	45	Insulation, Exhaust Blower*	05.05.085.00	1
24B	NAT Gas Orifice #35 (PMG-200)	03.12.020.00	6				
24C	LP Gas Orifice #50 (PMG 100/200)	03.12.021.00	3/6				
24D	High Altitude Blank Orifice Kit*	R03.12.023.00	1				
25	Burner Tube (PMG-100/200)	03.12.012.00	3/6				

* Not Shown

★ Units manufactured in the month of July 1999 or before use part number 04.01.013.00 for the replacement leg.

† Gasket should be replaced at each joint being serviced using Item #22B.

NOTE: Order Kit, Item 41, when converting units to LP gas.

NOTE: Consult factory if replacing Orifices or Burner Assembly to ensure proper sizing.

NOTE: When calling for parts/service, please supply altitude of installation location and fuel type.

NOTE: The last four digits in a ten digit numerical serial number is the manufacturing date code. Example: Serial number 1021059907 has a date code of 9907 which indicates the following: 9907

Year 1999 Month seven, July

Please also note, effective January 2001 the serial number date code was changed to reflect the year and week of manufacture.

Example: xxxxxx 0124
Year 2001 Week twenty-four

HATCO AUTHORIZED PARTS DISTRIBUTORS

ALABAMA

Jones McLeod Appl. Svc.
Birmingham 205-251-0159

ARIZONA

Auth. Comm. Food Equip.
Phoenix 602-234-2443
Byassee Equipment Co.
Phoenix 602-252-0402

CALIFORNIA

Industrial Electric
Huntington Beach 714-379-7100
Chapman Appl. Service
San Diego 619-298-7106
P & D Appliance
S. San Francisco 650-635-1900

COLORADO

Hawkins Commercial Appliance
Englewood 303-781-5548

DELAWARE

Food Equipment Service
Wilmington 302-996-9363

FLORIDA

Whaley Foodservice Repair
Jacksonville 904-725-7800
Universal Restaurant Services
Miami 305-593-5488
Nass Service Co., Inc.
Orlando 407-425-2681
B.G.S.I.
Pompano Beach 954-971-0456
Comm. Appliance Service
Tampa 813-663-0313

GEORGIA

TWC Services
Smyrna 770-438-9797
Heritage Service Group
Norcross 866-388-9837
Southeastern Rest. Svc.
Norcross 770-446-6177

HAWAII

Burney's Comm. Service, Inc.
Honolulu 808-848-1466
Food Equip Parts & Service
Honolulu 808-847-4871

ILLINOIS

Parts Town
Lombard 708-865-7278
Eichenauer Elec. Service
Decatur 217-429-4229
Midwest Elec. Appl. Service
Elmhurst 630-279-8000
Cone's Repair Service
Moline 309-797-5323

INDIANA

GCS Service
Indianapolis 317-545-9655

IOWA

Electric Motor Service Co.
Davenport 319-323-1823
Goodwin Tucker Group
Des Moines 515-262-9308

KENTUCKY

GCS Service
Louisville 502-367-1788

LOUISIANA

Chandlers Parts & Service
Baton Rouge 225-272-6620

MARYLAND

Electric Motor Service
Baltimore 410-467-8080

GCS Service
Silver Spring 301-585-7550

MASSACHUSETTS

Ace Service Co., Inc.
Needham 781-449-4220

MICHIGAN

Commercial Kitchen Service
Bay City 517-893-4561
Bildons Appliance Service
Detroit 248-478-3320
Midwest Food Equip. Service
Grandville 616-261-2000

MINNESOTA

GCS Service
Minneapolis 612-546-4221

MISSOURI

General Parts
Kansas City 816-421-5400
Commercial Kitchen Services
St. Louis 314-890-0700
Kaemmerlen Parts & Service
St. Louis 314-535-2222

NEBRASKA

Anderson Electric
Omaha 402-341-1414

NEVADA

Burney's Commercial
Las Vegas 702-736-0006

Hi. Tech Commercial Service
N. Las Vegas 702-649-4616

NEW JERSEY

Jay Hill Repair
Fairfield 973-575-9145
Service Plus
Flanders 973-691-6300

NEW YORK

Acme American Repairs, Inc.
Brooklyn 718-456-6544
Alpro Service Co.
Brooklyn 718-386-2515
Appliance Installation
Buffalo 716-884-7425
Northern Parts Dist.
Plattsburgh 518-563-3200
J.B. Brady, Inc.
Syracuse 315-422-9271

NORTH CAROLINA

Authorized Appliance
Charlotte 704-377-4501

OHIO

Akron/Canton Comm. Svc. Inc.
Akron 330-753-6635
Certified Service Center
Cincinnati 513-772-6600
Commercial Parts and Service
Columbus 614-221-0057
Electrical Appl. Repair Service
Independence 216-459-8700
E. A. Wichman Co.
Toledo 419-385-9121

OKLAHOMA

Hagar Rest. Service, Inc.
Oklahoma City 405-235-2184
Krueger, Inc.
Oklahoma City 405-528-8883

OREGON

Bressie Electric Co.
Portland 503-231-7171
Ron's Service, Inc.
Portland 503-624-0890

PENNSYLVANIA

Elmer Schultz Services
Philadelphia 215-627-5401
FAST Comm. Appl. Service
Philadelphia 215-288-4800

GCS Service
Pittsburgh 412-787-1970

K & D Service Co.
Harrisburg 717-236-9039

Electric Repair Co.
Reading 610-376-5444

RHODE ISLAND

Marshall Electric Co.
Providence 401-331-1163

SOUTH CAROLINA

Whaley Foodservice Repair
W. Columbia 803-791-4420

TENNESSEE

Camp Electric
Memphis 901-527-7543

TEXAS

Stove Parts Supply
Fort Worth 817-831-0381
Armstrong Repair Service
Houston 713-666-7100
Commercial Kitchen Repair Co.
San Antonio 210-735-2811

UTAH

La Monica's Rest. Equip. Service
Murray 801-263-3221

VIRGINIA

Daubers
Norfolk 757-855-4097

Daubers
Springfield 703-866-3600

WASHINGTON

Restaurant Appl. Service
Seattle 206-524-8200

WISCONSIN

A.S.C., Inc.
Madison 608-246-3160
A.S.C., Inc.
Milwaukee 414-543-6460

CANADA

BRITISH COLUMBIA

Key Food Equipment Service
Vancouver 604-433-4484

MANITOBA

Denko Mechanical Ltd.
Winnipeg 204-233-8003

ONTARIO

R.G. Henderson Ltd.
Toronto 416-422-5580
Choquette CKS
Ottawa 613-739-8458

QUÉBEC

Choquette CKS
Montreal 514-722-2000
Choquette CKS
Québec City 418-681-3944

HATCO CORPORATION

P.O. Box 340500, Milwaukee, WI 53234-0500 U.S.A.

(800) 558-0607 (414) 671-6350

Parts & Service Fax (800) 690-2966 Int'l. Fax (414) 671-3976

www.hatcocorp.com