

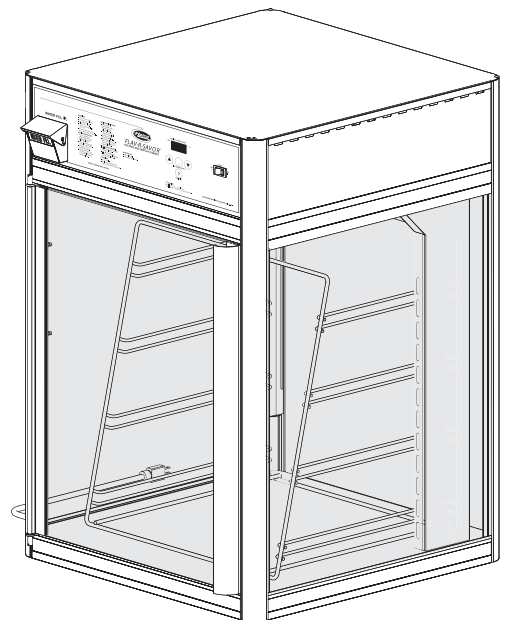
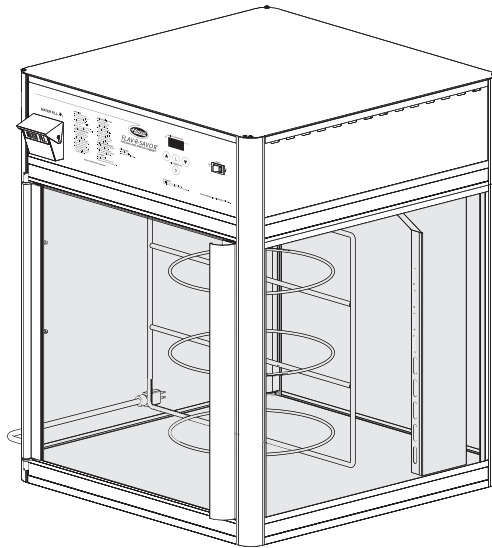


Flav-R-Savor[®]

Humidified Holding and Display Cabinets

FSD and FSDT Series

<u>Model Name</u>	<u>Page</u>	<u>Model Name</u>	<u>Page</u>
Common Parts	3	FSDT-1 and -2	6
FSD-1 and -2	4	FSDT-1X and -2X	7
FSD-1X and -2X	5		



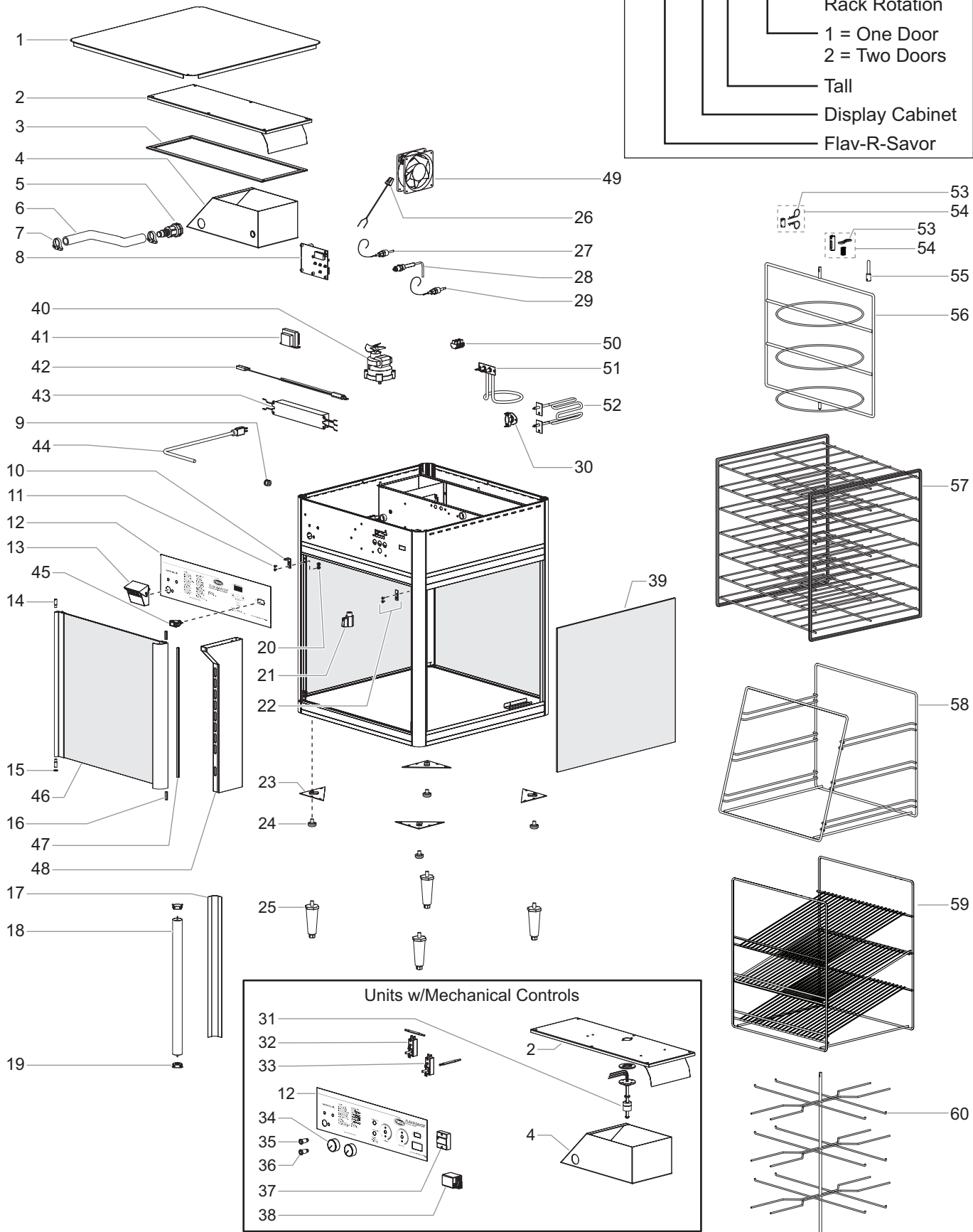
Replacement Parts List

HATCO FLAV-R-SAVOR® HUMIDIFIED HOLDING AND DISPLAY CABINETS

FSD and FSDT Series

Model Designation
F S D T - 1 X

- No Motorized Rack Rotation
- 1 = One Door
- 2 = Two Doors
- Tall
- Display Cabinet
- Flav-R-Savor



PARTS COMMON TO ALL FSD AND FSdT SERIES MODELS

Item	Description	Part No.	Qty.
1	Hood/Top Cover		
	Black	R04.17.899.01	1
	Gray Granite	R04.17.899.02	1
	Warm Red	R04.17.899.03	1
	White Granite	R04.17.899.04	1
	Navy Blue	R04.17.899.05	1
	Silver Gray	R04.17.899.06	1
	Hunter Green	R04.17.899.07	1
	Gloss White	R04.17.899.08	1
	Antique Copper	R04.17.899.21	1
2	Air Chamber Cover, Electronic	04.17.803.00	1
	Air Chamber Cover, Mechanical	04.17.623.00	1
3	Gasket, Air Chamber *	05.06.028.00	5'
4	Water Tank		
	Electronic		
	Manufactured before Aug. 2012	04.17.804.00	1
	Manufactured after Aug. 2012	04.48.598.00	1
	Mechanical		
	Manufactured before Sept. 2011	04.17.625.00	1
	Manufactured after Sept. 2011	04.48.488.00	1
5	Plumbing Kit, Water Tank	R03.40.058.00	1
6	Fill Tube *	03.40.051.00	2'
7	Hose Clamp	05.04.354.00	2
8	Electronic Controller, 24 V		
	Humidified units	02.01.273.00	1
	Non-Humidified units	02.01.273C.00	1
9	Cord Grip	02.20.276.00	1
10	Door Hinge Bracket	04.17.674.00	2-4
11	Mounting Screws, Hinge Bracket	05.04.442.00	4-8

PARTS COMMON TO ALL FSD AND FSdT SERIES MODELS—MECHANICAL CONTROL

The following parts are used in place of the Electronic Controller (Item 8) on all units with mechanical controls.

Item	Description	Part No.	Qty.
31	Float Switch, Water Level	R02.01.029.00	1
32	Thermostat Control, Humidity	R02.16.039.00	1
33	Thermostat Control, Temperature	R02.16.039.00	1
34	Knob, Control	05.30.047.00	2

NOTE: The last four digits in a ten digit numerical serial number are the manufacturing date code.

Example = Serial number 9625060951 has a date code of "0951" which indicates the following: 0951

└─ Week Fifty-One
└─ Year 2009

NOTE: Quantities shown as a range (example = "2-4") are dependent upon the number of doors on a unit.

* Item sold in one foot increments.

■ Item used on FSD/FSdT units manufactured through date code 0011.

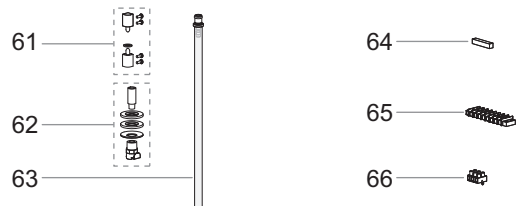


24 Hour 7 Day Parts and Service Assistance available in the United States and Canada by calling 800-558-0607.

Item	Description	Part No.	Qty.
12	Decal, Control Panel		
	Electronic, Humidified	07.03.462.00	1
	Mechanical, Humidified	07.03.288.00	1
	Electronic, Non-Humidified	07.03.662.00	1
	Mechanical, Non-Humidified	07.03.291.00	1
13	Fill Cup Assembly	R05.30.050.00	1
14	Hinge Pin Screw, Door	05.04.146.00	2-4
15	Nylon Washer	05.11.006.00	1-2
16	Magnet Kit, Door	R05.30.076.00	1-2
17	Light Cover, Fluorescent	02.30.076.00	2
18	Display Light, Fluorescent, 15 W	02.30.074.00	2
19	Lamp Socket	02.30.073.00	4
20	Acorn Nut	05.04.443.00	4-8
21	Drain Valve	03.40.105.00	1
22	Striker Plate and Hardware, Door	R04.17.675.00	2-4
23	Bracket, Leg	R04.17.067.00	4
24	Foot, Rubber (standard)	05.30.200.00	4
25	Leg, 4" (optional)	05.30.007.00	4
26	Power Cord, Blower	02.12.001A.00	1
27	Temperature Probe	02.01.203.00	1
28	Low Water Probe	02.40.045.00	1
29	Water Level/Temperature Probe	02.01.204.00	1
30	High-Limit Disk	R02.16.118.00	1

PARTS FOR OLD VERSION FSD AND FSdT SERIES MODELS

The following parts were used in previous versions of FSD and FSdT Series Models.



Item	Description	Part No.	Qty.
61	Door Hinge Assembly ■	R00.01.0115.00	1-2
62	Ceiling Drain Assembly	R03.40.055.00	1
63	Drain Tube Assembly, Plastic	R03.40.054.00	1
64	Magnet, Proximity Switch	Not Available	1-2
65	Terminal Block, 8-Pole	02.15.012.00	1
66	Terminal Block, 3-Pole	02.15.028.00	2
67	Motor Bearing Lube (not shown)	05.01.018.00	1



Use of replacement parts other than those supplied by Hatco Corporation may result in damage to unit or injury to personnel and will void all warranties.

PARTS SPECIFIC TO MODELS FSD-1 AND FSD-2

Item Description	120 V	220 V	240 V	220-230 V (CE)	230-240 V (CE)
35 Indicator Light, Humidity Cycle †	02.19.155.00	02.19.157.00	02.19.157.00	02.19.157.00	02.19.157.00
36 Indicator Light, Low Water †	02.19.154.00	02.19.151.00	02.19.151.00	02.19.151.00	02.19.151.00
37 Temperature Display †	R02.16.057.00	R02.16.058.00	R02.16.058.00	R02.16.058.00	R02.16.058.00
38 Control Relay †	02.01.028.00	02.01.043.00	02.01.043.00	02.01.043.00	02.01.043.00
39 Side Glass Panel (Qty. 2-3)	04.40.112.00	04.40.112.00	04.40.112.00	04.40.112.00	04.40.112.00
40 Rack Motor					
Manufactured before Jan. 2014	02.12.005.00	02.12.047.00	02.12.047.00	02.12.047.00	02.12.047.00
Manufactured after Jan. 2014	02.12.142.00	02.12.144.00	02.12.144.00	02.12.144.00	02.12.144.00
41 Transformer	02.17.022.00	02.17.060.00	02.17.060.00	02.17.060.00	02.17.060.00
42 Proximity Switch Assembly (Qty.1-2)	R02.13.346.00	R02.13.346.00	R02.13.346.00	R02.13.346.00	R02.13.346.00
43 Ballast Assembly	R02.30.132.00	R02.30.132.00	R02.30.132.00	R02.30.132.00	R02.30.132.00
44 Power Cord w/Plug ‡	02.18.035.00	02.18.109.00	02.18.120.00	02.18.109.00	02.18.120.00
45 Rocker Switch, On/Off	02.19.080.00	02.19.081.00	02.19.081.00	02.19.081.00	02.19.081.00
46 Door Assembly (Qty. 1-2, includes items 10, 11, 14-16, 20, 22, and 47)	R04.40.113.00	R04.40.113.00	R04.40.113.00	R04.40.113.00	R04.40.113.00
47 Gasket Kit, Door (Qty. 1-2)	R00.01.0135.00	R00.01.0135.00	R00.01.0135.00	R00.01.0135.00	R00.01.0135.00
48 Air Diffuser Tube	04.17.629.00	04.17.629.00	04.17.629.00	04.17.629.00	04.17.629.00
49 Blower Motor	R02.12.001.00	02.12.006.00	02.12.006.00	02.12.006.00	02.12.006.00
50 Terminal Block, 3-Pole	---	---	---	R02.15.030.00	R02.15.030.00
51 Water Element, 325 W	R02.05.006.00	R02.05.016E.00	R02.05.013E.00	R02.05.016E.00	R02.05.013E.00
52 Air Element, 1050 W	R02.05.011.00	R02.05.015E.00	R02.05.012E.00	R02.05.015E.00	R02.05.012E.00
53 Cotter Pin (Qty. 2)	05.04.352.00	05.04.352.00	05.04.352.00	05.04.352.00	05.04.352.00
Butterfly Cotter Pin	05.04.730.00	05.04.730.00	05.04.730.00	05.04.730.00	05.04.730.00
54 Rack Coupling w/Pins	R04.17.615.00	R04.17.615.00	R04.17.615.00	R04.17.615.00	R04.17.615.00
Rack Coupling w/ Pin and Spring	R04.24.357.00	R04.24.357.00	R04.24.357.00	R04.24.357.00	R04.24.357.00
55 Motorless Rack Coupling w/Pin	---	---	---	---	---
56 Circle Rack, 3 Tier (shown)	04.17.640.00	04.17.640.00	04.17.640.00	04.17.640.00	04.17.640.00
Circle Rack, 4 Tier	---	---	---	---	---
Circle Rack, 5 Tier	---	---	---	---	---
57 Multi-Purpose Rack, 5 Shelf	R04.17.012.01	R04.17.012.01	R04.17.012.01	R04.17.012.01	R04.17.012.01
Multi-Purpose Rack, 7 Shelf (shown)	---	---	---	---	---
58 Pan Rack, 3 Tier (shown)	04.17.010.00	04.17.010.00	04.17.010.00	04.17.010.00	04.17.010.00
Pan Rack, 4 Tier	---	---	---	---	---
59 Angle Rack, 3 Shelf	---	---	---	---	---
60 Pretzel Rack, 3 Tier	---	---	---	---	---
Wiring Diagram					
Mechanical Controls	10-01-196	10-01-494	10-01-494	10-01-209	10-01-209
Electronic Controls	10-01-857	10-01-857	10-01-857	10-01-760	10-01-760

NOTE: Quantities shown as a range (example = "2-4") are dependent upon the number of doors on a unit.

† Item used on units with mechanical controls only.

‡ Canadian 120 V units use power cord w/plug P/N 02.18.082.00.

The shaded areas contain information for **International models only**.

PARTS SPECIFIC TO MODEL FSD-1X AND FSD-2X

Item Description	120 V	220 V	240 V	220–230 V (CE)	230–240 V (CE)
35 Indicator Light, Humidity Cycle †	02.19.155.00	02.19.157.00	02.19.157.00	02.19.157.00	02.19.157.00
36 Indicator Light, Low Water †	02.19.154.00	02.19.151.00	02.19.151.00	02.19.151.00	02.19.151.00
37 Temperature Display †	R02.16.057.00	R02.16.058.00	R02.16.058.00	R02.16.058.00	R02.16.058.00
38 Control Relay †	02.01.028.00	02.01.043.00	02.01.043.00	02.01.043.00	02.01.043.00
39 Side Glass Panel (Qty. 2–3)	04.40.112.00	04.40.112.00	04.40.112.00	04.40.112.00	04.40.112.00
40 Rack Motor	---	---	---	---	---
41 Transformer	02.17.022.00	02.17.060.00	02.17.060.00	02.17.060.00	02.17.060.00
42 Proximity Switch Assembly	---	---	---	---	---
43 Ballast Assembly	R02.30.132.00	R02.30.132.00	R02.30.132.00	R02.30.132.00	R02.30.132.00
44 Power Cord w/Plug ‡	02.18.035.00	02.18.109.00	02.18.120.00	02.18.109.00	02.18.120.00
45 Rocker Switch, On/Off	02.19.080.00	02.19.081.00	02.19.081.00	02.19.081.00	02.19.081.00
46 Door Assembly (Qty. 1–2, includes items 10, 11, 14–16, 20, 22, and 47)	R04.40.113.00	R04.40.113.00	R04.40.113.00	R04.40.113.00	R04.40.113.00
47 Gasket Kit, Door (Qty. 1–2)	R00.01.0135.00	R00.01.0135.00	R00.01.0135.00	R00.01.0135.00	R00.01.0135.00
48 Air Diffuser Tube	04.17.629.00	04.17.629.00	04.17.629.00	04.17.629.00	04.17.629.00
49 Blower Motor	R02.12.001.00	02.12.006.00	02.12.006.00	02.12.006.00	02.12.006.00
50 Terminal Block, 3-Pole	---	---	---	R02.15.030.00	R02.15.030.00
51 Water Element, 325 W	R02.05.006.00	R02.05.016E.00	R02.05.013E.00	R02.05.016E.00	R02.05.013E.00
52 Air Element, 1050 W	R02.05.011.00	R02.05.015E.00	R02.05.012E.00	R02.05.015E.00	R02.05.012E.00
53 Cotter Pin	05.04.352.00	05.04.352.00	05.04.352.00	05.04.352.00	05.04.352.00
54 Rack Coupling w/Pins	---	---	---	---	---
55 Motorless Rack Coupling w/Pin (includes item 53)	R04.24.087.00	R04.24.087.00	R04.24.087.00	R04.24.087.00	R04.24.087.00
56 Circle Rack, 3 Tier (shown)	04.17.640.00	04.17.640.00	04.17.640.00	04.17.640.00	04.17.640.00
Circle Rack, 4 Tier	---	---	---	---	---
Circle Rack, 5 Tier	---	---	---	---	---
57 Multi-Purpose Rack, 5 Shelf	R04.17.012.01	R04.17.012.01	R04.17.012.01	R04.17.012.01	R04.17.012.01
Multi-Purpose Rack, 7 Shelf (shown)	---	---	---	---	---
58 Pan Rack, 3 Tier (shown)	04.17.010.00	04.17.010.00	04.17.010.00	04.17.010.00	04.17.010.00
Pan Rack, 4 Tier	---	---	---	---	---
59 Angle Rack, 3 Shelf	---	---	---	---	---
60 Pretzel Rack, 3 Tier	---	---	---	---	---
Wiring Diagram					
Mechanical Controls	10-01-196	10-01-494	10-01-494	10-01-209	10-01-209
Electronic Controls	10-01-857	10-01-857	10-01-857	10-01-760	10-01-760

NOTE: Quantities shown as a range (example = “2–4”) are dependent upon the number of doors on a unit.

† Item used on units with mechanical controls only.

‡ Canadian 120 V units use power cord w/plug P/N 02.18.082.00.

The shaded areas contain information for **International models only**.

PARTS SPECIFIC TO MODEL FSDT-1 AND FSDT-2

Item Description	120 V	220 V	240 V	220–230 V (CE)	230–240 V (CE)
35 Indicator Light, Humidity Cycle †	02.19.155.00	02.19.157.00	02.19.157.00	02.19.157.00	02.19.157.00
36 Indicator Light, Low Water †	02.19.154.00	02.19.151.00	02.19.151.00	02.19.151.00	02.19.151.00
37 Temperature Display †	R02.16.057.00	R02.16.058.00	R02.16.058.00	R02.16.058.00	R02.16.058.00
38 Control Relay †	02.01.028.00	02.01.043.00	02.01.043.00	02.01.043.00	02.01.043.00
39 Side Glass Panel (Qty. 2–3)	04.40.114.00	04.40.114.00	04.40.114.00	04.40.114.00	04.40.114.00
40 Rack Motor	02.12.005.00	02.12.047.00	02.12.047.00	02.12.047.00	02.12.047.00
Manufactured before Jan. 2014	02.12.005.00	02.12.047.00	02.12.047.00	02.12.047.00	02.12.047.00
Manufactured after Jan. 2014	02.12.142.00	02.12.144.00	02.12.144.00	02.12.144.00	02.12.144.00
41 Transformer	02.17.022.00	02.17.060.00	02.17.060.00	02.17.060.00	02.17.060.00
42 Proximity Switch Assembly (Qty.1–2)	R02.13.346.00	R02.13.346.00	R02.13.346.00	R02.13.346.00	R02.13.346.00
43 Ballast Assembly	R02.30.132.00	R02.30.132.00	R02.30.132.00	R02.30.132.00	R02.30.132.00
44 Power Cord w/Plug ‡	02.18.035.00	02.18.109.00	02.18.120.00	02.18.109.00	02.18.120.00
45 Rocker Switch, On/Off	02.19.080.00	02.19.081.00	02.19.081.00	02.19.081.00	02.19.081.00
46 Door Assembly (Qty. 1–2, includes items 10, 11, 14–16, 20, 22, and 47)	R04.40.115.00	R04.40.115.00	R04.40.115.00	R04.40.115.00	R04.40.115.00
47 Gasket Kit, Door (Qty. 1–2)	R00.01.0135.00	R00.01.0135.00	R00.01.0135.00	R00.01.0135.00	R00.01.0135.00
48 Air Diffuser Tube	04.17.627.00	04.17.627.00	04.17.627.00	04.17.627.00	04.17.627.00
49 Blower Motor	R02.12.001.00	02.12.006.00	02.12.006.00	02.12.006.00	02.12.006.00
50 Terminal Block, 3-Pole	---	---	---	R02.15.030.00	R02.15.030.00
51 Water Element, 325 W	R02.05.006.00	R02.05.016E.00	R02.05.013E.00	R02.05.016E.00	R02.05.013E.00
52 Air Element, 1050 W	R02.05.011.00	R02.05.015E.00	R02.05.012E.00	R02.05.015E.00	R02.05.012E.00
53 Cotter Pin (Qty. 2)	05.04.352.00	05.04.352.00	05.04.352.00	05.04.352.00	05.04.352.00
Butterfly Cotter Pin	05.04.730.00	05.04.730.00	05.04.730.00	05.04.730.00	05.04.730.00
54 Rack Coupling w/Pins	R04.17.615.00	R04.17.615.00	R04.17.615.00	R04.17.615.00	R04.17.615.00
Rack Coupling w/ Pin and Spring	R04.24.357.00	R04.24.357.00	R04.24.357.00	R04.24.357.00	R04.24.357.00
55 Motorless Rack Coupling w/Pin	---	---	---	---	---
56 Circle Rack, 3 Tier (shown)	---	---	---	---	---
Circle Rack, 4 Tier	04.17.641.00	04.17.641.00	04.17.641.00	04.17.641.00	04.17.641.00
Circle Rack, 5 Tier	04.17.642.00	04.17.642.00	04.17.642.00	04.17.642.00	04.17.642.00
57 Multi-Purpose Rack, 5 Shelf	---	---	---	---	---
Multi-Purpose Rack, 7 Shelf (shown)	R04.17.012.00	R04.17.012.00	R04.17.012.00	R04.17.012.00	R04.17.012.00
58 Pan Rack, 3 Tier (shown)	04.17.010.00	04.17.010.00	04.17.010.00	04.17.010.00	04.17.010.00
Pan Rack, 4 Tier	04.17.027.00	04.17.027.00	04.17.027.00	04.17.027.00	04.17.027.00
59 Angle Rack, 3 Shelf	R04.17.013.00	R04.17.013.00	R04.17.013.00	R04.17.013.00	R04.17.013.00
60 Pretzel Rack, 3 Tier ◆	04.17.689.00	04.17.689.00	04.17.689.00	04.17.689.00	04.17.689.00
Wiring Diagram					
Mechanical Controls	10-01-196	10-01-494	10-01-494	10-01-209	10-01-209
Electronic Controls	10-01-857	10-01-857	10-01-857	10-01-760	10-01-760

NOTE: Quantities shown as a range (example = “2–4”) are dependent upon the number of doors on a unit.

† Item used on units with mechanical controls only.

‡ Canadian 120 V units use power cord w/plug P/N 02.18.082.00.

◆ Needs Spacer P/N 05.06.154.00 when used with Spring Loaded Coupling P/N R04.24.357.00.

The shaded areas contain information for **International models only**.



PARTS SPECIFIC TO MODEL FSDT-1X AND FSDT-2X

Item Description	120 V	220 V	240 V	220–230 V (CE)	230–240 V (CE)
35 Indicator Light, Humidity Cycle †	02.19.155.00	02.19.157.00	02.19.157.00	02.19.157.00	02.19.157.00
36 Indicator Light, Low Water †	02.19.154.00	02.19.151.00	02.19.151.00	02.19.151.00	02.19.151.00
37 Temperature Display †	R02.16.057.00	R02.16.058.00	R02.16.058.00	R02.16.058.00	R02.16.058.00
38 Control Relay †	02.01.028.00	02.01.043.00	02.01.043.00	02.01.043.00	02.01.043.00
39 Side Glass Panel (Qty. 2–3)	04.40.114.00	04.40.114.00	04.40.114.00	04.40.114.00	04.40.114.00
40 Rack Motor	---	---	---	---	---
41 Transformer	02.17.022.00	02.17.060.00	02.17.060.00	02.17.060.00	02.17.060.00
42 Proximity Switch Assembly	---	---	---	---	---
43 Ballast Assembly	R02.30.132.00	R02.30.132.00	R02.30.132.00	R02.30.132.00	R02.30.132.00
44 Power Cord w/Plug ‡	02.18.035.00	02.18.109.00	02.18.120.00	02.18.109.00	02.18.120.00
45 Rocker Switch, On/Off	02.19.080.00	02.19.081.00	02.19.081.00	02.19.081.00	02.19.081.00
46 Door Assembly (Qty. 1–2, includes items 10, 11, 14–16, 20, 22, and 47)	R04.40.115.00	R04.40.115.00	R04.40.115.00	R04.40.115.00	R04.40.115.00
47 Gasket Kit, Door (Qty. 1–2)	R00.01.0135.00	R00.01.0135.00	R00.01.0135.00	R00.01.0135.00	R00.01.0135.00
48 Air Diffuser Tube	04.17.627.00	04.17.627.00	04.17.627.00	04.17.627.00	04.17.627.00
49 Blower Motor	R02.12.001.00	02.12.006.00	02.12.006.00	02.12.006.00	02.12.006.00
50 Terminal Block, 3-Pole	---	---	---	R02.15.030.00	R02.15.030.00
51 Water Element, 325 W	R02.05.006.00	R02.05.016E.00	R02.05.013E.00	R02.05.016E.00	R02.05.013E.00
52 Air Element, 1050 W	R02.05.011.00	R02.05.015E.00	R02.05.012E.00	R02.05.015E.00	R02.05.012E.00
53 Cotter Pin	05.04.352.00	05.04.352.00	05.04.352.00	05.04.352.00	05.04.352.00
54 Rack Coupling w/Pins	---	---	---	---	---
55 Motorless Rack Coupling w/Pin	R04.24.087.00	R04.24.087.00	R04.24.087.00	R04.24.087.00	R04.24.087.00
56 Circle Rack, 3 Tier (shown)	---	---	---	---	---
Circle Rack, 4 Tier	04.17.641.00	04.17.641.00	04.17.641.00	04.17.641.00	04.17.641.00
Circle Rack, 5 Tier	04.17.642.00	04.17.642.00	04.17.642.00	04.17.642.00	04.17.642.00
57 Multi-Purpose Rack, 5 Shelf	---	---	---	---	---
Multi-Purpose Rack, 7 Shelf (shown)	R04.17.012.00	R04.17.012.00	R04.17.012.00	R04.17.012.00	R04.17.012.00
58 Pan Rack, 3 Tier (shown)	04.17.010.00	04.17.010.00	04.17.010.00	04.17.010.00	04.17.010.00
Pan Rack, 4 Tier	04.17.027.00	04.17.027.00	04.17.027.00	04.17.027.00	04.17.027.00
59 Angle Rack, 3 Shelf	R04.17.013.00	R04.17.013.00	R04.17.013.00	R04.17.013.00	R04.17.013.00
60 Pretzel Rack, 3 Tier	04.17.689.00	04.17.689.00	04.17.689.00	04.17.689.00	04.17.689.00
Wiring Diagram					
Mechanical Controls	10-01-196	10-01-494	10-01-494	10-01-209	10-01-209
Electronic Controls	10-01-857	10-01-857	10-01-857	10-01-760	10-01-760

NOTE: Quantities shown as a range (example = "2–4") are dependent upon the number of doors on a unit.

† Item used on units with mechanical controls only.

‡ Canadian 120 V units use power cord w/plug P/N 02.18.082.00.

The shaded areas contain information for **International models only**.

AUTHORIZED PARTS DISTRIBUTORS • AUTORISÉS DISTRIBUTEURS DE PIÈCES

ALABAMA

Jones McLeod Appl. Svc.
Birmingham 205-251-0159

ARIZONA

Service Solutions Group
Phoenix 602-234-2443

Byassee Equipment Co.
Phoenix 602-252-0402

CALIFORNIA

Industrial Electric
Commercial Parts & Service, Inc.
Huntington Beach 714-379-7100

Chapman Appl. Service
San Diego 619-298-7106

P & D Appliance
Commercial Parts & Service, Inc.
S. San Francisco 650-635-1900

COLORADO

Hawkins Commercial Appliance
Englewood 303-781-5548

FLORIDA

Whaley Foodservice Repair
Jacksonville 904-725-7800

3Wire Nass Service Co., Inc.
Orlando 407-425-2681

B.G.S.I.
Pompano Beach 954-971-0456

Comm. Appliance Service
Tampa 813-663-0313

GEORGIA

TWC Services
Mableton 770-438-9797

Heritage Service Group
Norcross 866-388-9837

Southeastern Rest. Svc.
Norcross 770-446-6177

HAWAII

Burney's Comm. Service, Inc.
Honolulu 808-848-1466

Food Equip Parts & Service
Honolulu 808-847-4871

ILLINOIS

Parts Town
Lombard 708-865-7278

Eichenauer Elec. Service
Decatur 217-429-4229

Midwest Elec. Appl. Service
Elmhurst 630-279-8000

Cone's Repair Service
Moline 309-797-5323

INDIANA

GCS Service
Indianapolis 800-727-8710

IOWA

Goodwin Tucker Group
Des Moines 515-262-9308

KENTUCKY

Service Solutions Group
Lexington 859-254-8854

Service Solutions Group
Louisville 502-451-5411

LOUISIANA

Chandlers Parts & Service
Baton Rouge 225-272-6620

MARYLAND

Electric Motor Service
Baltimore 410-467-8080

GCS Service
Silver Spring 301-585-7550

MASSACHUSETTS

Ace Service Co., Inc.
Needham 781-449-4220

MICHIGAN

Bildons Appliance Service
Detroit 248-478-3320

Commercial Kitchen Service
Bay City 989-893-4561

Midwest Food Equip. Service
Grandville 616-261-2000

MINNESOTA

GCS Service
Minnetonka 800-822-2303
x20365

MISSOURI

General Parts
Kansas City 816-421-5400

Commercial Kitchen Services
St. Louis 314-890-0700

Kaemmerlen Parts & Service
St. Louis 314-535-2222

NEBRASKA

Anderson Electric
Omaha 402-341-1414

NEVADA

Burney's Commercial
Las Vegas 702-736-0006

Hi. Tech Commercial Service
N. Las Vegas 702-649-4616

NEW JERSEY

Jay Hill Repair
Fairfield 973-575-9145

Service Plus
Flanders 973-691-6300

NEW YORK

Acme American Repairs, Inc.
Brooklyn 718-456-6544

Alpro Service Co.
Brooklyn 718-386-2515

Appliance Installation
Buffalo 716-884-7425

Duffy's Equipment Services, Inc.
Buffalo 800-836-1014

3Wire Northern
Plattsburgh 800-634-5005

Duffy's Equipment Services, Inc.
Sauquoit 800-836-1014

J.B. Brady, Inc.
Syracuse 315-422-9271

NORTH CAROLINA

Authorized Appliance
Charlotte 704-377-4501

OHIO

Akron/Canton Comm. Svc. Inc.
Akron 330-753-6634

Service Solutions Group
Cincinnati 513-772-6600

Commercial Parts and Service
Columbus 614-221-0057

Electrical Appl. Repair Service
Brooklyn Heights 216-459-8700

E. A. Wichman Co.
Toledo 419-385-9121

OKLAHOMA

Hagar Rest. Service, Inc.
Oklahoma City 405-235-2184

Krueger, Inc.
Oklahoma City 405-528-8883

OREGON

Ron's Service, Inc.
Portland 503-624-0890

PENNSYLVANIA

Elmer Schultz Services
Philadelphia 215-627-5401

FAST Comm. Appl. Service
Philadelphia 215-288-4800

Appliance Installation & Service
Pittsburgh 412-809-0244

K & D Service Co.
Harrisburg 717-236-9039

Electric Repair Co.
Reading 610-376-5444

RHODE ISLAND

Marshall Electric Co.
Providence 401-331-1163

SOUTH CAROLINA

Whaley Foodservice Repair
Lexington 803-996-9900

TENNESSEE

Camp Electric
Memphis 901-527-7543

TEXAS

GCS Service
Fort Worth 800-433-1804

Armstrong Repair Service
Houston 713-666-7100

Cooking Equipment Specialist
Mesquite 972-686-6666

Commercial Kitchen Repair Co.
San Antonio 210-735-2811

UTAH

La Monica's Rest. Equip. Service
Murray 801-263-3221

VIRGINIA

Daubers
Norfolk 757-855-4097

Daubers
Springfield 703-866-3600

WASHINGTON

3Wire Restaurant Appliance
Seattle 800-207-3146

WISCONSIN

A.S.C., Inc.
Madison 608-246-3160

A.S.C., Inc.
Milwaukee 414-543-6460

CANADA

ALBERTA

Key Food Equipment Service
Edmonton 780-438-1690

BRITISH COLUMBIA

Key Food Equipment Service
Vancouver 604-433-4484

Key Food Equipment Service
Victoria 250-920-4888

MANITOBA

Air Rite, Inc.
Winnipeg 204-895-2300

NEW BRUNSWICK

EMR Services, Ltd.
Moncton 506-855-4228

ONTARIO

R.G. Henderson Ltd.
Toronto 416-422-5580

Choquette - CKS, Inc.
Ottawa 613-739-8458

QUÉBEC

Choquette - CKS, Inc.
Montreal 514-722-2000

Choquette - CKS, Inc.
Québec City 418-681-3944

UNITED KINGDOM

Marren Group
Northants +44(0)1933 665313

HATCO CORPORATION
P.O. Box 340500
Milwaukee, WI 53234-0500 U.S.A.
800-558-0607 414-671-6350
Parts and Service Fax 800-690-2966
International Fax 414-671-3976
partsandservice@hatcocorp.com
www.hatcocorp.com