



**IMPORTANT NOTE:**

Locate the Specification Label on unit to determine exact Model Name and electrical specifications. This information is needed to identify the correct replacement parts. See exploded view illustration(s) for Specification Label location.

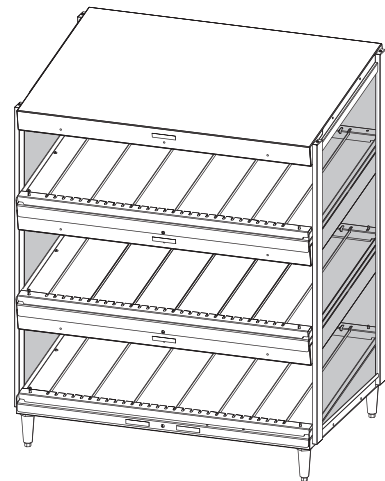
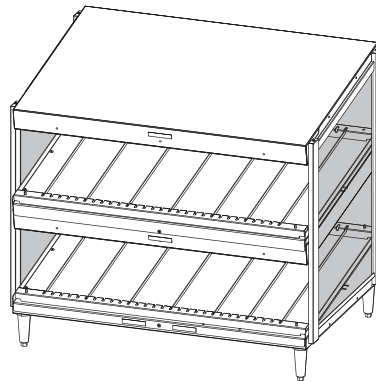
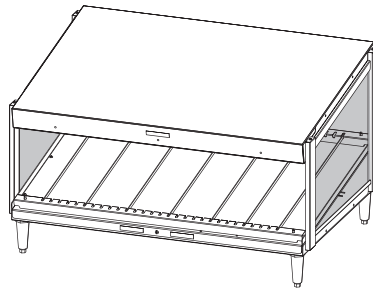


Use of replacement parts other than those supplied by Hatco Corporation may result in damage to unit or injury to personnel and will void all warranties.

# Glo-Ray<sup>®</sup> Merchandising Display Warmers

## GRSDS Series

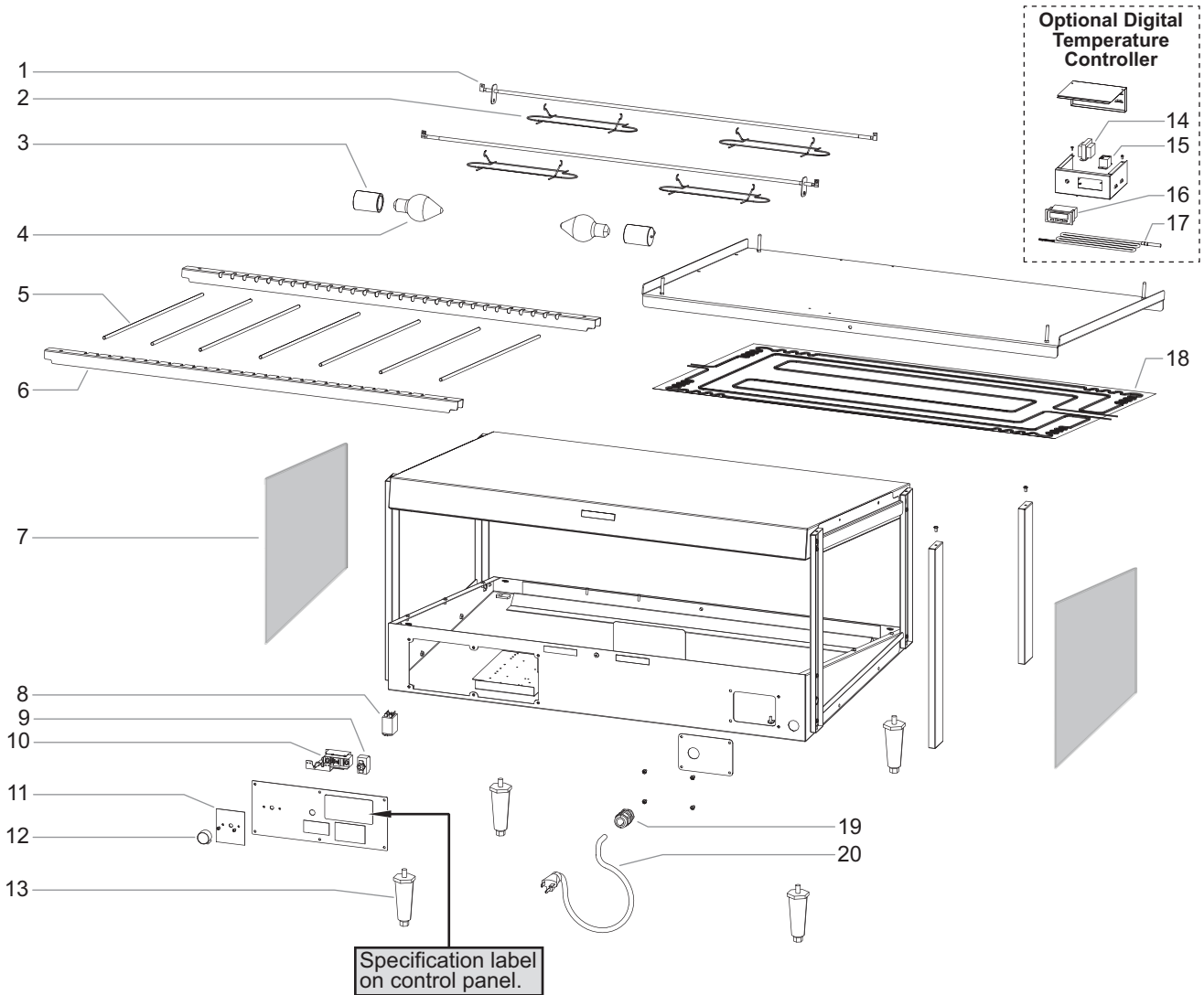
<u>Model Name</u>	<u>Page</u>	<u>Model Name</u>	<u>Page</u>	<u>Model Name</u>	<u>Page</u>
GRSDS-24.....	2	GRSDS-24D.....	4	GRSDS-24T.....	6
GRSDS-30.....	2	GRSDS-30D.....	4	GRSDS-36T.....	6
GRSDS-36.....	2	GRSDS-36D.....	4		
GRSDS-41.....	2	GRSDS-41D.....	4		
GRSDS-52.....	2	GRSDS-52D.....	4		
GRSDS-60.....	2	GRSDS-60D.....	4		



# Replacement Parts List

# Hatco Glo-Ray Merchandising Warmer

## GRSDS — Single Shelf Models



Item	Description	Part No.	Qty.
1	Calrod Element		
	24" Width, 120 V	R02.08.225D.00	2
	30" Width, 120 V	R02.08.222D.00	2
	36" Width, 120 V	R02.08.223D.00	2
	41" Width, 120 V	R02.08.224D.00	2
	52" Width, 120 V	R02.08.212D.00	2
	60" Width, 120 V	R02.08.262D.00	2
	24" Width, 220-230, 230-240 V	R02.08.225D.00	2
	30" Width, 220, 240, 220-230, 230-240 V	R02.08.232E.00	2
	36" Width, 220, 240, 220-230, 230-240 V	R02.08.228E.00	2
	41" Width, 220, 240, 220-230, 230-240 V	R02.08.229E.00	2
	52" Width, 220, 240, 220-230, 230-240 V	R02.08.230E.00	2
	60" Width, 220, 240, 220-230, 230-240 V	R02.08.264E.00	2

Item	Description	Part No.	Qty.
2	Wire Guard	04.37.145.00	2-8
3	Light Socket		
	24" Widths	02.30.045.00	1
	30" through 60" Widths	02.30.045.00	2-5
4	Light Bulb		
	120 V	02.30.043.00	2-5
	240 V	02.30.058.00	2-5
5	Divider Rods	04.15.112.00	5-12
6	Channel Divider		
	24" Width	04.15.054.00	2
	30" Width	04.15.753.00	2
	36" Width	04.15.754.00	2
	41" Width	04.15.755.00	2
	52" Width	04.15.756.00	2
	60" Width	04.15.075.00	2
7	Glass Side Panel	04.40.041.00	2

## GRSDS — Single Shelf Models

Item	Description	Part No.	Qty.
8	Relay	R02.01.088.00	1
9	On/Off Switch	R02.19.008A.00	1
10	Thermostat, Base	02.16.002.00	1
11	Label, Thermostat	07.01.189.00	1
12	Knob, Thermostat	05.30.018.00	1
13	Leg, 4"	05.30.007.00	4
14	Transformer *		
	120 V	02.17.022.00	1
	220, 240 V	02.17.023.00	1
	220–230, 230–240 V	02.17.035.00	1
15	Relay *	R02.01.050.00	2
16	Digital Temperature Control *	R02.01.259.00	1
17	Probe, Digital Temperature Control *	02.01.418.00	1
18	Blanket Heating Element		
	24" Width, 120 V	02.05.319.00	1
	30" Width, 120 V	02.05.213.00	1
	36" Width, 120 V	02.05.211.00	1
	41" Width, 120 V	02.05.209.00	1
	52" Width, 120 V	02.05.205.00	1
	60" Width, 120 V	02.05.287.00	1
	24" Width, 220–230, 230–240 V	02.05.100.00	3
		02.05.131.00	2
	30" Width, 220, 240, 220–230, 230–240 V	02.05.222.00	1
	36" Width, 220, 240, 220–230, 230–240 V	02.05.220.00	1
	41" Width, 220, 240, 220–230, 230–240 V	02.05.218.00	1
	52" Width, 220, 240, 220–230, 230–240 V	02.05.216.00	1
	60" Width, 220, 220–230 V	02.05.289.00	1
	60" Width, 240, 230–240 V	02.05.291.00	1
19	Cord Grip		
	120 V, Right Angle	02.20.330.00	1
	120 V, Straight	R02.20.259.00	1
	220, 240, 220–230, 230–240 V	R02.20.259.00	1
20	Power Cord and Plug		
	120 V, 24"–52" Width, NEMA 5-15P	R02.18.030.00	1
	120 V, 60" Width, NEMA 5-15P	R02.18.154.00	1
	120 V, 60" Width, NEMA 5-20P (Canada)	02.18.089.00	1
	240, 220–230, 230–240 V, 6 A, BS-1363	02.18.066.00	1
	240, 220–230, 230–240 V, 13 A, BS-1363	02.18.068.00	1
	240 V, 10 A, AS 3112	02.18.207.00	1
	220, 220–230 V, CEE 7/7 Schuko	02.18.077.00	1

Item	Description	Part No.	Qty.
21	Flip-Up Doors (optional, not shown)		
	24" Width	SDS24FLIP	1
	30" Width	SDS30FLIP	1
	36" Width	SDS36FLIP	1
	41" Width	SDS41FLIP	1
	52" Width	SDS52FLIP	1
	60" Width	SDS60FLIP	1
	Wiring Diagram		
	Thermostat Control		
	120 V, 24"–60" Width	10-01-966	
	220, 240, 220–230, 230–240 V, 30"–60" Width	10-01-1299	
	220, 240 V, 24" Width	HS1-3689	
	220–230, 230–240 V, 24" Width	HS1-4139	
	Digital Temperature Control		
	120 V, 24"–60" Width	10-01-964	
	220, 240, 220–230, 230–240 V, 30"–60" Width	10-01-1298	
	220, 240 V, 24" Width	HS1-3687	
	220–230, 230–240 V, 24" Width	HS1-4146	

\* For units with optional Digital Temperature Controller only.

*NOTE: Quantities shown as a range (example = "2–4") are dependent upon the width of a unit.*

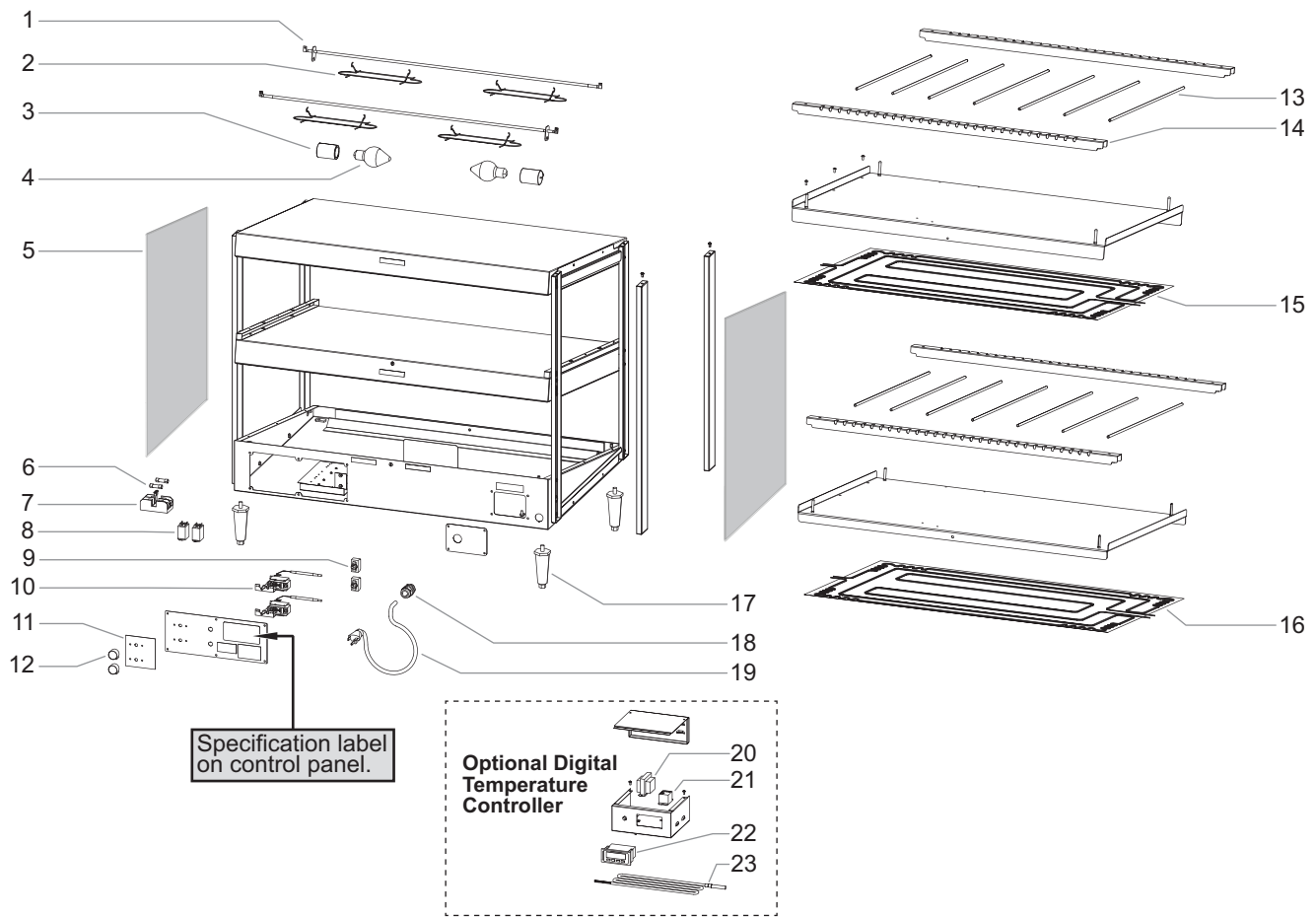
The shaded areas contain information for **International models only.**

*NOTE: The last four digits in a ten digit numerical serial number are the manufacturing date code: 962506**1404***

Year 2014 ————  
Week Four ————

# Hatco Glo-Ray Merchandising warmer

## GRSDS — Dual Shelf Models



Item	Description	Part No.	Qty.
1	Calrod Element		
	24" Width, 120 V	R02.08.225D.00	4
	30" Width, 120 V	R02.08.222D.00	4
	36" Width, 120 V	R02.08.223D.00	4
	41" Width, 120, 120/208–240 V	R02.08.224D.00	4
	52" Width, 120, 120/208–240 V	R02.08.212D.00	4
	60" Width, 120/208–240 V	R02.08.262D.00	4
	24" Width, 220, 240, 220–230, 230–240 V	R02.08.225D.00	4
	30" Width, 220, 240, 220–230, 230–240 V	R02.08.232E.00	4
	36" Width, 220, 240, 220–230, 230–240 V	R02.08.228E.00	4
	41" Width, 220, 240, 220–230, 230–240 V	R02.08.229E.00	4
	52" Width, 220, 240, 220–230, 230–240 V	R02.08.230E.00	4
	60" Width, 220, 240, 220–230, 230–240 V	R02.08.264E.00	4

Item	Description	Part No.	Qty.
2	Wire Guard	04.37.145.00	4–16
3	Light Socket		
	24" Widths	02.30.045.00	2
	30" through 60" Widths	02.30.044.00	4–10
4	Light Bulb		
	120 V	02.30.043.00	4–10
	240 V	02.30.058.00	4–10
5	Glass Side Panel	04.40.038.00	2
6	Fuse (2 pack)	R02.03.052.02	2
7	Fuse Block	02.03.022.00	1
8	Relay	R02.01.088.00	2
9	On/Off Switch	R02.19.016.00	2
10	Thermostat, Base	02.16.002.00	2
11	Label, Thermostat	07.01.190.00	1
12	Knob, Thermostat	05.30.018.00	2

## GRSDS — Dual Shelf Models

Item	Description	Part No.	Qty.
13	Divider Rods	04.15.112.00	10–24
14	Channel Divider		
	24" Width	04.15.054.00	4
	30" Width	04.15.753.00	4
	36" Width	04.15.754.00	4
	41" Width	04.15.755.00	4
	52" Width	04.15.756.00	4
	60" Width	04.15.075.00	4
15	Blanket Heating Element, Center Shelf		
	24" Width, 120 V	02.05.320.00	1
	30" Width, 120 V	02.05.214.00	1
	36" Width, 120 V	02.05.212.00	1
	41" Width, 120, 120/208–240 V	02.05.209.00	1
	52" Width, 120, 120/208–240 V	02.05.205.00	1
	60" Width, 120/208–240 V	02.05.288.00	1
	24" Width, 220–240 V	02.05.100.00	3
		02.05.131.00	2
	30" Width, 220–240 V	02.05.223.00	1
	36" Width, 220–240 V	02.05.221.00	1
	41" Width, 220–240 V	02.05.219.00	1
	52" Width, 220–240 V	02.05.217.00	1
	60" Width, 220–240 V	02.05.292.00	1
16	Blanket Heating Element, Base		
	24" Width, 120 V	02.05.319.00	1
	30" Width, 120 V	02.05.213.00	1
	36" Width, 120 V	02.05.211.00	1
	41" Width, 120, 120/208–240 V	02.05.210.00	1
	52" Width, 120, 120/208–240 V	02.05.206.00	1
	60" Width, 120/208–240 V	02.05.287.00	1
	24" Width, 220–240 V	02.05.100.00	3
		02.05.131.00	2
	30" Width, 220–240 V	02.05.222.00	1
	36" Width, 220–240 V	02.05.220.00	1
	41" Width, 220–240 V	02.05.218.00	1
	52" Width, 220–240 V	02.05.216.00	1
	60" Width, 220–240 V	02.05.291.00	1
17	Leg, 4"	05.30.007.00	4
18	Cord Grip		
	120 V	02.20.330.00	1–2
	120/208–240 V	R02.20.259.00	1
	220, 240, 220–230, 230–240 V	R02.20.259.00	1

The shaded areas contain information for **International models only**.

Item	Description	Part No.	Qty.
19	Power Cord and Plug		
	120 V, NEMA 5-15P	R02.18.030.00	1–2
	120 V, NEMA 5-15P	R02.18.154.00	1–2
	120 V, NEMA 5-20P	02.18.089.00	1
	120/208–240 V, NEMA 14-20P	02.18.085.00	1
	120/208–240 V, NEMA L14-20P	02.18.128.00	1
	120/208–240 V, NEMA L14-30P	02.18.139.00	1
	220, 240, 220–230, 230–240 V, 13 A, BS-1363	02.18.068.00	1
	220, 220–230 V, CEE 7/7 Schuko, 10 A	02.18.077.00	1
	220, 220–230 V, CEE 7/7 Schuko, 16 A	02.18.038.00	1
	240 V, 10 A, AS 3112	02.18.207.00	1
	240 V, 15 A, AS 3112	02.18.105.00	1
	Cord w/o Plug, 16 A	02.18.075.00	1
	Cord w/o Plug, 25 A	02.18.103.00	1
20	Transformer *		
	120 V	02.17.022.00	2
	220, 240 V	02.17.023.00	2
	220–230, 230–240 V	02.17.035.00	2
21	Relay *	R02.01.050.00	4
22	Digital Temperature Control *	R02.01.259.00	2
23	Probe, Digital Temperature Control *	02.01.418.00	2
24	Flip-Up Doors (optional, not shown)		
	24" Width	SDS24FLIP	1–2
	30" Width	SDS30FLIP	1–2
	36" Width	SDS36FLIP	1–2
	41" Width	SDS41FLIP	1–2
	52" Width	SDS52FLIP	1–2
	60" Width	SDS60FLIP	1–2
	Wiring Diagram		
	Thermostat Control		
	120 V, 24"–60" Width	10-01-974	
	220, 240, 220–230, 230–240 V, 30"–60" Width	10-01-1301	
	220, 240 V, 24" Width	HS2-2798	
	220–230, 230–240 V, 24" Width	HS2-3485	
	Digital Temperature Control		
	120 V, 24"–60" Width	10-01-973	
	220, 240, 220–230, 230–240 V, 30"–60" Width	10-01-1300	
	220, 240 V, 24" Width	HS2-2792	
	220–230, 230–240 V, 24" Width	HS2-3492	

\* For units with optional Digital Temperature Controller only.

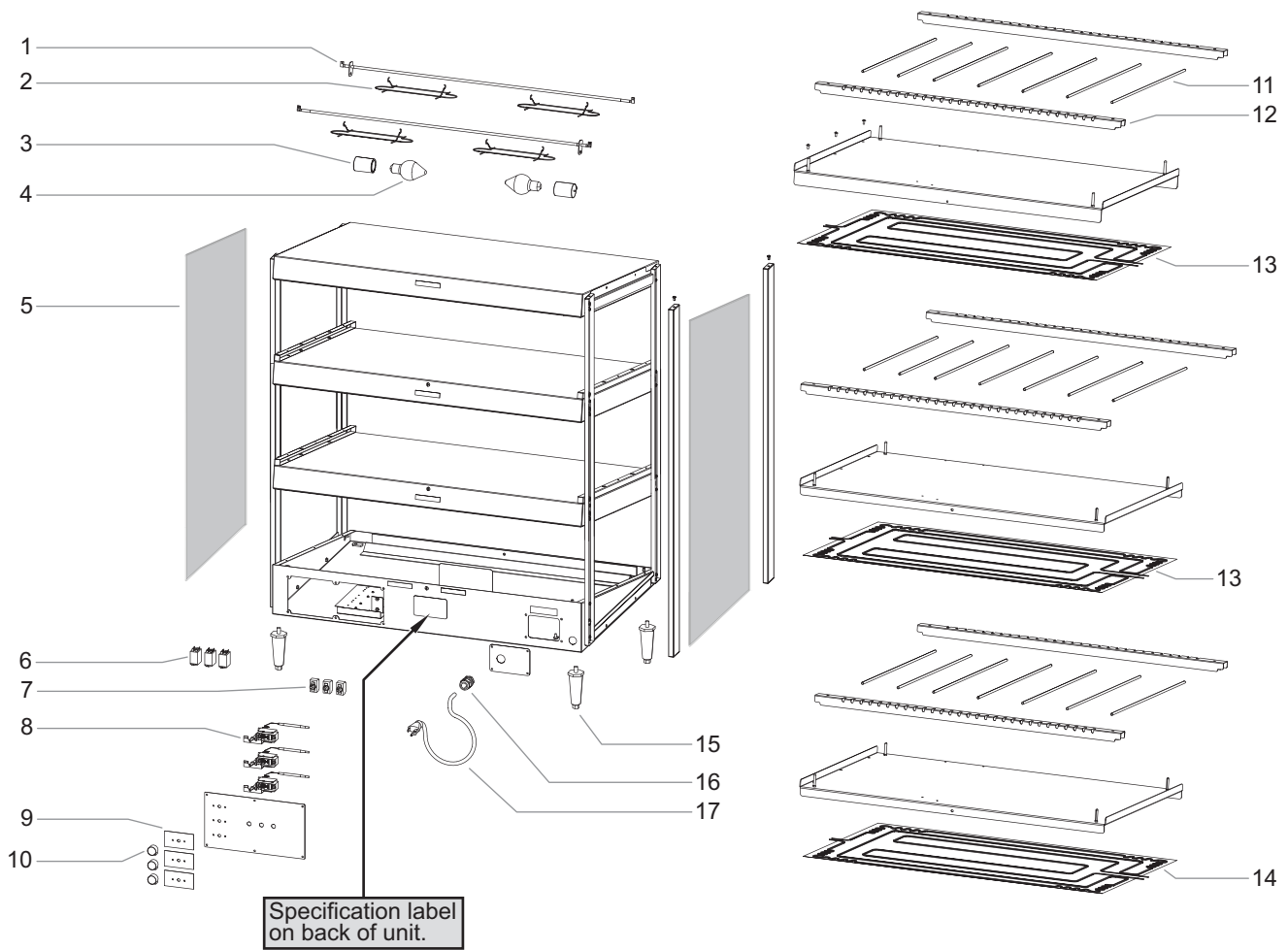
**NOTE:** Quantities shown as a range (example = "2–4") are dependent upon the width of a unit.

**NOTE:** The last four digits in a ten digit numerical serial number are the manufacturing date code: 962506**1404**

Year 2014 ————  
Week Four ————

# Hatco Glo-Ray Merchandising warmer

## GRSDS — Triple Shelf Models



## GRSDS — Triple Shelf Models

Item	Description	Part No.	Qty.
1	Calrod Element		
	24" Width, 120 V	R02.08.225D.00	6
	36" Width, 120/208–240 V	R02.08.223D.00	6
2	Wire Guard	04.37.145.00	6–12
3	Light Socket		
	24" Width	02.30.045.00	3
	36" Width	02.30.044.00	6
4	Light Bulb, 120 V	02.30.043.00	6
5	Glass Side Panel	04.40.109.00	2
6	Relay	02.01.236.00	3
7	On/Off Switch	R02.19.016.00	3
8	Thermostat, Base	R02.16.039.00	3
9	Label, Thermostat	07.03.134.00	3
10	Knob, Thermostat	05.30.039.00	3
11	Divider Rods	04.15.112.00	15–21
12	Channel Divider		
	24" Width	04.15.054.00	6
	36" Width	04.15.754.00	6
13	Blanket Heating Element, Center Shelves		
	24" Width, 120 V	02.05.320.00	2
	36" Width, 120/208-240 V	02.05.212.00	2
14	Blanket Heating Element, Base		
	24" Width, 120 V	02.05.319.00	1
	36" Width, 120/208–240 V	02.05.211.00	1

Item	Description	Part No.	Qty.
15	Leg, 4"	05.30.007.00	4
16	Cord Grip	R02.20.259.00	1
17	Power Cord and Plug		
	120 V, NEMA 5-20P	02.18.185.00	1
	120/208–240 V, NEMA L14-20P	02.18.128.00	1
18	Flip-Up Doors (optional, not shown)		
	24" Width	SDS24FLIP	3
	36" Width	SDS36FLIP	3
	Wiring Diagram		
	24" Width, 120 V	10-01-606	
	36" Width, 120/208–240 V	10-01-620	

*NOTE: Quantities shown as a range (example = "2–4") are dependent upon the width of a unit.*

*NOTE: The last four digits in a ten digit numerical serial number are the manufacturing date code: 962506**1404***

Year 2014 ————  
Week Four ————

# AUTHORIZED PARTS DISTRIBUTORS • DISTRIBUTEURS DE PIÈCES AUTORISÉS

## ALABAMA

Jones McLeod Appl. Svc.  
Birmingham 205-251-0159

## ARIZONA

Service Solutions Group  
Phoenix 602-234-2443

Byassee Equipment Co.  
Phoenix 602-252-0402

## CALIFORNIA

Industrial Electric  
Commercial Parts & Service, Inc.  
Huntington Beach 714-379-7100

Chapman Appl. Service  
San Diego 619-298-7106

P & D Appliance  
Commercial Parts & Service, Inc.  
S. San Francisco 650-635-1900

## COLORADO

Hawkins Commercial Appliance  
Englewood 303-781-5548

## FLORIDA

Whaley Foodservice Repair  
Jacksonville 904-725-7800

Whaley Foodservice Repair  
Orlando 407-757-0851

B.G.S.I.  
Pompano Beach 954-971-0456

Comm. Appliance Service  
Tampa 813-663-0313

## GEORGIA

TWC Services  
Mableton 770-438-9797

Heritage Service Group  
Norcross 866-388-9837

Southeastern Rest. Svc.  
Norcross 770-446-6177

## HAWAII

Burney's Comm. Service, Inc.  
Honolulu 808-848-1466

Food Equip Parts & Service  
Honolulu 808-847-4871

## ILLINOIS

Parts Town  
Lombard 708-865-7278

Eichenauer Elec. Service  
Decatur 217-429-4229

Midwest Elec. Appl. Service  
Elmhurst 630-279-8000

Cone's Repair Service  
Moline 309-797-5323

## INDIANA

GCS Service  
Indianapolis 800-727-8710

## IOWA

Goodwin Tucker Group  
Des Moines 515-262-9308

## KENTUCKY

Service Solutions Group  
Lexington 859-254-8854

Service Solutions Group  
Louisville 502-451-5411

## LOUISIANA

Chandlers Parts & Service  
Baton Rouge 225-272-6620

## MARYLAND

Electric Motor Service  
Baltimore 410-467-8080

GCS Service  
Silver Spring 301-585-7550

## MASSACHUSETTS

Ace Service Co., Inc.  
Needham 781-449-4220

## MICHIGAN

Bildons Appliance Service  
Detroit 248-478-3320

Commercial Kitchen Service  
Bay City 989-893-4561

Midwest Food Equip. Service  
Grandville 616-261-2000

## MINNESOTA

GCS Service  
Minnetonka 800-822-2303  
x20365

## MISSOURI

General Parts  
Kansas City 816-421-5400

Commercial Kitchen Services  
St. Louis 314-890-0700

Kaemmerlen Parts & Service  
St. Louis 314-535-2222

## NEBRASKA

Anderson Electric  
Omaha 402-341-1414

## NEVADA

Burney's Commercial  
Las Vegas 702-736-0006

Hi. Tech Commercial Service  
N. Las Vegas 702-649-4616

## NEW JERSEY

Jay Hill Repair  
Fairfield 973-575-9145

Service Plus  
Flanders 973-691-6300

## NEW YORK

Alpro Service Co.  
Maspeth 718-386-2515

Appliance Installation  
Buffalo 716-884-7425

Duffy's Equipment Services, Inc.  
Buffalo 800-836-1014

3Wire Northern  
Plattsburgh 800-634-5005

Duffy's Equipment Services, Inc.  
Sauquoit 800-836-1014

J.B. Brady, Inc.  
Syracuse 315-422-9271

## NORTH CAROLINA

Authorized Appliance  
Charlotte 704-377-4501

## OHIO

Akron/Canton Comm. Svc. Inc.  
Akron 330-753-6634

Service Solutions Group  
Cincinnati 513-772-6600

Commercial Parts and Service  
Columbus 614-221-0057

Electrical Appl. Repair Service  
Brooklyn Heights 216-459-8700

E. A. Wichman Co.  
Toledo 419-385-9121

## OKLAHOMA

Hagar Rest. Service, Inc.  
Oklahoma City 405-235-2184

Krueger, Inc.  
Oklahoma City 405-528-8883

## OREGON

Ron's Service, Inc.  
Portland 503-624-0890

## PENNSYLVANIA

Elmer Schultz Services  
Philadelphia 215-627-5401

FAST Comm. Appl. Service  
Philadelphia 215-288-4800

Appliance Installation & Service  
Pittsburgh 412-809-0244

K & D Service Co.  
Harrisburg 717-236-9039

Electric Repair Co.  
Reading 610-376-5444

## RHODE ISLAND

Marshall Electric Co.  
Providence 401-331-1163

## SOUTH CAROLINA

Whaley Foodservice Repair  
Lexington 803-996-9900

## TENNESSEE

Camp Electric  
Memphis 901-527-7543

## TEXAS

GCS Service  
Fort Worth 800-433-1804

Armstrong Repair Service  
Houston 713-666-7100

Cooking Equipment Specialist  
Mesquite 972-686-6666

Commercial Kitchen Repair Co.  
San Antonio 210-735-2811

## UTAH

La Monica's Rest. Equip. Service  
Murray 801-263-3221

## VIRGINIA

Daubers  
Norfolk 757-855-4097

Daubers  
Springfield 703-866-3600

## WASHINGTON

3Wire Restaurant Appliance  
Seattle 800-207-3146

## WISCONSIN

A.S.C., Inc.  
Madison 608-246-3160

A.S.C., Inc.  
Milwaukee 414-543-6460

## CANADA

### ALBERTA

Key Food Equipment Service  
Edmonton 780-438-1690

### BRITISH COLUMBIA

Key Food Equipment Service  
Vancouver 604-433-4484

Key Food Equipment Service  
Victoria 250-920-4888

### MANITOBA

Air Rite, Inc.  
Winnipeg 204-895-2300

### NEW BRUNSWICK

EMR Services, Ltd.  
Moncton 506-855-4228

### ONTARIO

R.G. Henderson Ltd.  
Toronto 416-422-5580

Choquette - CKS, Inc.  
Ottawa 613-739-8458

### QUÉBEC

Choquette - CKS, Inc.  
Montreal 514-722-2000

Choquette - CKS, Inc.  
Québec City 418-681-3944

## UNITED KINGDOM

Marren Group  
Northants +44(0)1933 665313

### HATCO CORPORATION

P.O. Box 340500

Milwaukee, WI 53234-0500 U.S.A.

800-558-0607 414-671-6350

partsandservice@hatcocorp.com

www.hatcocorp.com



24 Hour 7 Day Parts and Service  
Assistance available in the United States  
and Canada by calling 800-558-0607.