



# GLO-RAY<sup>®</sup>

## *Designer Buffet Warmer*

### *GR2BW Series*

---

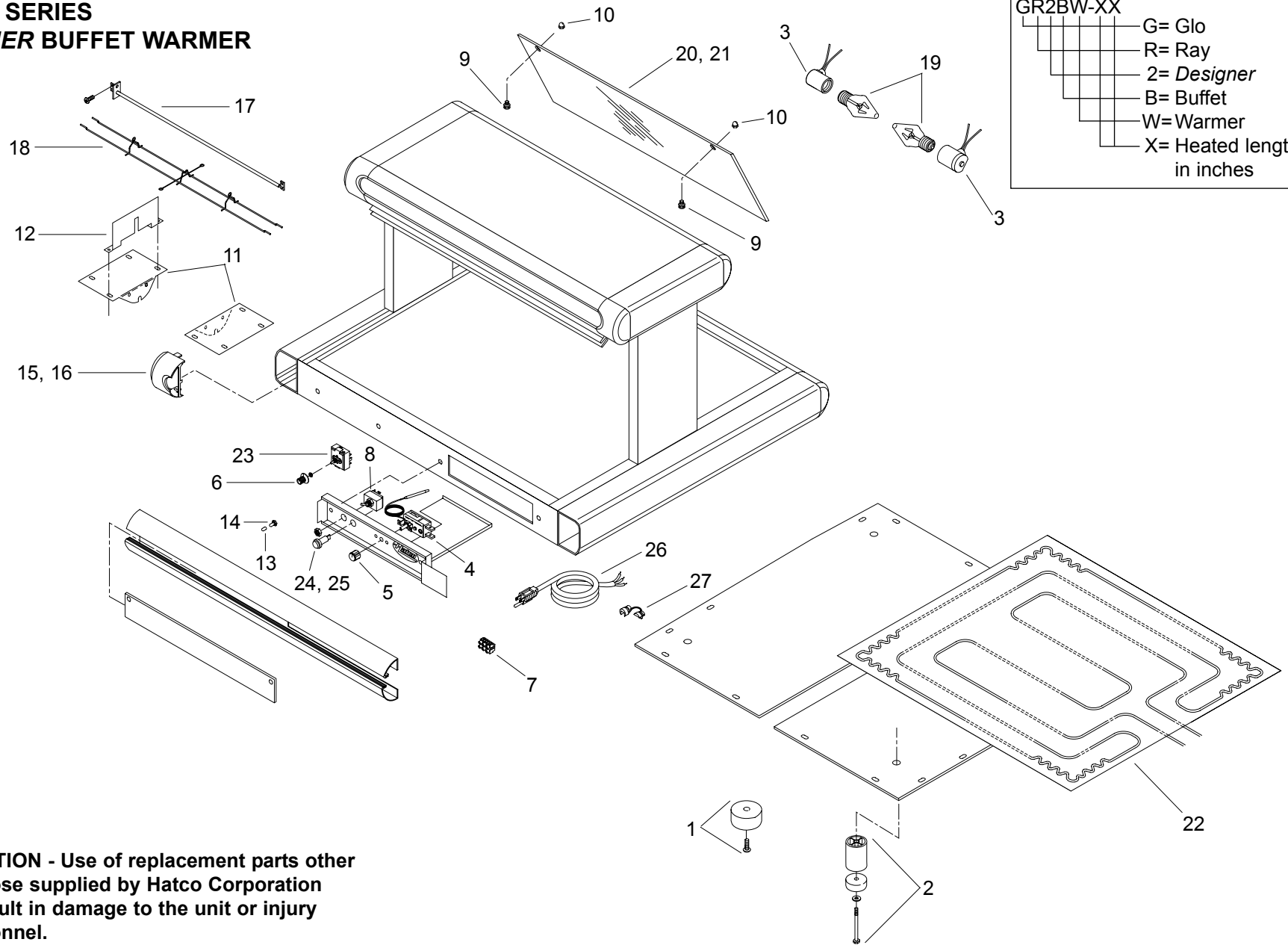
|                 |                 |                 |
|-----------------|-----------------|-----------------|
| <i>GR2BW-24</i> | <i>GR2BW-42</i> | <i>GR2BW-60</i> |
| <i>GR2BW-30</i> | <i>GR2BW-48</i> | <i>GR2BW-66</i> |
| <i>GR2BW-36</i> | <i>GR2BW-54</i> | <i>GR2BW-72</i> |

---

**REPLACEMENT  
PARTS LIST**

---

**HATCO GLO-RAY®  
GR2BW SERIES  
DESIGNER BUFFET WARMER**



**⚠ CAUTION - Use of replacement parts other than those supplied by Hatco Corporation may result in damage to the unit or injury to personnel.**

**PARTS COMMON TO ALL MODELS**

| ITEM | DESCRIPTION                                      | PART NO.       | QTY. | ITEM | DESCRIPTION   | PART NO.       | QTY. |
|------|--|----------------|------|------|---|----------------|------|
| 1    | Rubber Foot with Hardware                        | R05.30.064.00  | 4    | 10   | Acorn Nut   | 05.04.105.00   | 4    |
| 2    | 4" (10 cm) <i>Designer</i> Leg Kit<br>(Optional) | R04.32.173.00  | 4    | 11   | End Cover   | 04.08.055.00   | 2    |
| 3    | Light Socket                                     | 02.30.044.00   | 2-6  | 12   | Bracket with Insulation                               | R04.09.056.00  | 2    |
| 4    | Thermostat, Base                                 | R02.16.039.00  | 1    | 13   | Rubber Boot for Toggle Switch,<br>Slip On             | 02.20.283.00   | 1    |
| 5    | Thermostat Knob                                  | 05.30.018.00   | 1    | 14   | Rubber Boot for Toggle Switch,<br>Threaded (Optional) | 02.20.040.00   | 1    |
| 6    | Infinite Switch Knob                             | 05.30.043.00   | 1    | 15   | Plastic Bullnose Corner, Grey                         | 04.09.078.00   | 8    |
| 7    | Terminal Block                                   | R02.15.030.00  | 1    | 16   | Plastic Bullnose Corner, Black                        | 04.09.078BK.00 | 8    |
| 8    | Toggle Switch                                    | R02.19.008A.00 | 1    |      |   |                |      |
| 9    | Thumb Screw                                      | 05.04.305.00   | 4    |      |   |                |      |

**PARTS SPECIFIC TO GR2BW-24 MODELS**

| ITEM | DESCRIPTION   | 100V          | 120V          | 120/208V      | 120/240V      | 220E          | 240E          | 220-230E<br>CE | 230-240E<br>CE |
|------|---|---------------|---------------|---------------|---------------|---------------|---------------|----------------|----------------|
| 17   | Heating Element, Upper, 500 Watt                        | R02.08.561.00 | R02.08.101.00 | R02.08.101.00 | R02.08.101.00 | R02.08.136.00 | R02.08.103.00 | R02.08.136.00  | R02.08.103.00  |
| 18   | Guard, Upper Element                                    | 04.08.030.00  | 04.08.030.00  | 04.08.030.00  | 04.08.030.00  | 04.08.030.00  | 04.08.030.00  | 04.08.030.00   | 04.08.030.00   |
| 19   | Light Bulb, Shatter Resistant                           | 02.30.043.00  | 02.30.043.00  | 02.30.043.00  | 02.30.043.00  | 02.30.058.00  | 02.30.058.00  | 02.30.058.00   | 02.30.058.00   |
| 20   | Breath Protector with Hardware,<br>8" (20 cm) (Qty. 2)  | R04.12.093.00 | R04.12.093.00 | R04.12.093.00 | R04.12.093.00 | R04.12.093.00 | R04.12.093.00 | R04.12.093.00  | R04.12.093.00  |
| 21   | Breath Protector with Hardware,<br>14" (36 cm) (Qty. 2) | R04.12.177.00 | R04.12.177.00 | R04.12.177.00 | R04.12.177.00 | R04.12.177.00 | R04.12.177.00 | R04.12.177.00  | R04.12.177.00  |
| 22   | Heating Element, Lower, 350 Watt                        | 02.05.513.00  | 02.05.326.00  | 02.05.326.00  | 02.05.326.00  | 02.05.369.00  | 02.05.378.00  | 02.05.369.00   | 02.05.378.00   |
| 23   | Infinite Switch (Optional)                              | R02.19.160.00 | R02.19.018.00 | R02.19.018.00 | R02.19.018.00 | R02.19.019.00 | R02.19.019.00 | R02.19.019.00  | R02.19.019.00  |
| 24   | Indicator Light, Red                                    | 02.19.070R.00 | 02.19.070R.00 | 02.19.070R.00 | 02.19.070R.00 | 02.19.071R.00 | 02.19.071R.00 | ---            | ---            |
| 25   | Indicator Light, Green                                  | ---           | ---           | ---           | ---           | ---           | ---           | 02.19.071G.00  | 02.19.071G.00  |
| 26   | Power Cord with Plug                                    | R02.18.030.00 | R02.18.030.00 | 02.18.085.00  | 02.18.085.00  | 02.18.077.00  | 02.18.066.00  | 02.18.077.00   | 02.18.066.00   |
| 27   | Strain Relief   | 02.20.212.00  | 02.20.212.00  | 02.20.212.00  | 02.20.212.00  | 02.20.212.00  | 02.20.212.00  | 02.20.212.00   | 02.20.212.00   |
|      | Electrical Diagram with Infinite Switch                 | HS1-5725      | HS1-4504      | HS1-4505      | HS1-4505      | HS1-4654      | HS1-4655      | HS1-4654       | HS1-4655       |
|      | Electrical Diagram without Infinite Switch              | HS1-5724      | HS1-4543      | HS1-4544      | HS1-4544      | HS1-4652      | HS1-4653      | HS1-4652       | HS1-4653       |

Shaded area reflects **export models only**.

## PARTS SPECIFIC TO GR2BW-30 MODELS

| ITEM | DESCRIPTION   | 100V          | 120V          | 120/208V      | 120/240V      | 220E          | 240E          | 220-230E<br>CE | 230-240E<br>CE |
|------|---|---------------|---------------|---------------|---------------|---------------|---------------|----------------|----------------|
| 17   | Heating Element, Upper, 660 Watt                        | R02.08.562.00 | R02.08.127.00 | R02.08.127.00 | R02.08.127.00 | R02.08.139.00 | R02.08.129.00 | R02.08.139.00  | R02.08.129.00  |
| 18   | Guard, Upper Element                                    | 04.08.029.00  | 04.08.029.00  | 04.08.029.00  | 04.08.029.00  | 04.08.029.00  | 04.08.029.00  | 04.08.029.00   | 04.08.029.00   |
| 19   | Light Bulb, Shatter Resistant                           | 02.30.043.00  | 02.30.043.00  | 02.30.043.00  | 02.30.043.00  | 02.30.058.00  | 02.30.058.00  | 02.30.058.00   | 02.30.058.00   |
| 20   | Breath Protector with Hardware,<br>8" (20 cm) (Qty. 2)  | R04.12.094.00 | R04.12.094.00 | R04.12.094.00 | R04.12.094.00 | R04.12.094.00 | R04.12.094.00 | R04.12.094.00  | R04.12.094.00  |
| 21   | Breath Protector with Hardware,<br>14" (36 cm) (Qty. 2) | R04.12.178.00 | R04.12.178.00 | R04.12.178.00 | R04.12.178.00 | R04.12.178.00 | R04.12.178.00 | R04.12.178.00  | R04.12.178.00  |
| 22   | Heating Element, Lower, 450 Watt                        | 02.05.514.00  | 02.05.327.00  | 02.05.327.00  | 02.05.327.00  | 02.05.370.00  | 02.05.379.00  | 02.05.370.00   | 02.05.379.00   |
| 23   | Infinite Switch (Optional)                              | R02.19.160.00 | R02.19.018.00 | R02.19.018.00 | R02.19.018.00 | R02.19.019.00 | R02.19.019.00 | R02.19.019.00  | R02.19.019.00  |
| 24   | Indicator Light, Red                                    | 02.19.070R.00 | 02.19.070R.00 | 02.19.070R.00 | 02.19.070R.00 | 02.19.071R.00 | 02.19.071R.00 | ---            | ---            |
| 25   | Indicator Light, Green                                  | ---           | ---           | ---           | ---           | ---           | ---           | 02.19.071G.00  | 02.19.071G.00  |
| 26   | Power Cord with Plug                                    | R02.18.030.00 | R02.18.030.00 | 02.18.085.00  | 02.18.085.00  | 02.18.077.00  | 02.18.066.00  | 02.18.077.00   | 02.18.066.00   |
| 27   | Strain Relief   | 02.20.212.00  | 02.20.212.00  | 02.20.212.00  | 02.20.212.00  | 02.20.212.00  | 02.20.212.00  | 02.20.212.00   | 02.20.212.00   |
|      | Electrical Diagram with Infinite Switch                 | HS1-5725      | HS1-4504      | HS1-4505      | HS1-4505      | HS1-4654      | HS1-4655      | HS1-4654       | HS1-4655       |
|      | Electrical Diagram without Infinite Switch              | HS1-5724      | HS1-4543      | HS1-4544      | HS1-4544      | HS1-4652      | HS1-4653      | HS1-4652       | HS1-4653       |

## PARTS SPECIFIC TO GR2BW-36 MODELS

| ITEM | DESCRIPTION   | 100V          | 120V          | 120/208V      | 120/240V      | 220E          | 240E          | 220-230E<br>CE | 230-240E<br>CE |
|------|---|---------------|---------------|---------------|---------------|---------------|---------------|----------------|----------------|
| 17   | Heating Element, Upper, 800 Watt                        | R02.08.563.00 | R02.08.104.00 | R02.08.104.00 | R02.08.104.00 | R02.08.140.00 | R02.08.106.00 | R02.08.140.00  | R02.08.106.00  |
| 18   | Guard, Upper Element                                    | 04.08.031.00  | 04.08.031.00  | 04.08.031.00  | 04.08.031.00  | 04.08.031.00  | 04.08.031.00  | 04.08.031.00   | 04.08.031.00   |
| 19   | Light Bulb, Shatter Resistant                           | 02.30.043.00  | 02.30.043.00  | 02.30.043.00  | 02.30.043.00  | 02.30.058.00  | 02.30.058.00  | 02.30.058.00   | 02.30.058.00   |
| 20   | Breath Protector with Hardware,<br>8" (20 cm) (Qty. 2)  | R04.12.095.00 | R04.12.095.00 | R04.12.095.00 | R04.12.095.00 | R04.12.095.00 | R04.12.095.00 | R04.12.095.00  | R04.12.095.00  |
| 21   | Breath Protector with Hardware,<br>14" (36 cm) (Qty. 2) | R04.12.179.00 | R04.12.179.00 | R04.12.179.00 | R04.12.179.00 | R04.12.179.00 | R04.12.179.00 | R04.12.179.00  | R04.12.179.00  |
| 22   | Heating Element, Lower, 550 Watt                        | 02.05.515.00  | 02.05.328.00  | 02.05.328.00  | 02.05.328.00  | 02.05.371.00  | 02.05.380.00  | 02.05.371.00   | 02.05.380.00   |
| 23   | Infinite Switch (Optional)                              | R02.19.160.00 | R02.19.018.00 | R02.19.018.00 | R02.19.018.00 | R02.19.019.00 | R02.19.019.00 | R02.19.019.00  | R02.19.019.00  |
| 24   | Indicator Light, Red                                    | 02.19.070R.00 | 02.19.070R.00 | 02.19.070R.00 | 02.19.070R.00 | 02.19.071R.00 | 02.19.071R.00 | ---            | ---            |
| 25   | Indicator Light, Green                                  | ---           | ---           | ---           | ---           | ---           | ---           | 02.19.071G.00  | 02.19.071G.00  |
| 26   | Power Cord with Plug                                    | R02.18.030.00 | R02.18.030.00 | 02.18.085.00  | 02.18.085.00  | 02.18.077.00  | 02.18.068.00  | 02.18.077.00   | 02.18.068.00   |
| 27   | Strain Relief   | 02.20.212.00  | 02.20.212.00  | 02.20.212.00  | 02.20.212.00  | 02.20.212.00  | 02.20.212.00  | 02.20.212.00   | 02.20.212.00   |
|      | Electrical Diagram with Infinite Switch                 | HS1-5725      | HS1-4504      | HS1-4505      | HS1-4505      | HS1-4654      | HS1-4655      | HS1-4654       | HS1-4655       |
|      | Electrical Diagram without Infinite Switch              | HS1-5724      | HS1-4543      | HS1-4544      | HS1-4544      | HS1-4652      | HS1-4653      | HS1-4652       | HS1-4653       |

Shaded area reflects **export models only**.

### PARTS SPECIFIC TO GR2BW-42 MODELS

| ITEM | DESCRIPTION   | 100V | 120V          | 120/208V      | 120/240V      | 220E          | 240E          | 220-230E<br>CE | 230-240E<br>CE |
|------|---|------|---------------|---------------|---------------|---------------|---------------|----------------|----------------|
| 17   | Heating Element, Upper, 950 Watt                        | ---  | R02.08.107.00 | R02.08.107.00 | R02.08.107.00 | R02.08.141.00 | R02.08.109.00 | R02.08.141.00  | R02.08.109.00  |
| 18   | Guard, Upper Element                                    | ---  | 04.08.032.00  | 04.08.032.00  | 04.08.032.00  | 04.08.032.00  | 04.08.032.00  | 04.08.032.00   | 04.08.032.00   |
| 19   | Light Bulb, Shatter Resistant                           | ---  | 02.30.043.00  | 02.30.043.00  | 02.30.043.00  | 02.30.058.00  | 02.30.058.00  | 02.30.058.00   | 02.30.058.00   |
| 20   | Breath Protector with Hardware,<br>8" (20 cm) (Qty. 2)  | ---  | R04.12.096.00 | R04.12.096.00 | R04.12.096.00 | R04.12.096.00 | R04.12.096.00 | R04.12.096.00  | R04.12.096.00  |
| 21   | Breath Protector with Hardware,<br>14" (36 cm) (Qty. 2) | ---  | R04.12.150.00 | R04.12.150.00 | R04.12.150.00 | R04.12.150.00 | R04.12.150.00 | R04.12.150.00  | R04.12.150.00  |
| 22   | Heating Element, Lower, 600 Watt                        | ---  | 02.05.329.00  | 02.05.329.00  | 02.05.329.00  | 02.05.372.00  | 02.05.381.00  | 02.05.372.00   | 02.05.381.00   |
| 23   | Infinite Switch (Optional)                              | ---  | R02.19.018.00 | R02.19.018.00 | R02.19.018.00 | R02.19.019.00 | R02.19.019.00 | R02.19.019.00  | R02.19.019.00  |
| 24   | Indicator Light, Red                                    | ---  | 02.19.070R.00 | 02.19.070R.00 | 02.19.070R.00 | 02.19.071R.00 | 02.19.071R.00 | ---            | ---            |
| 25   | Indicator Light, Green                                  | ---  | ---           | ---           | ---           | ---           | ---           | 02.19.071G.00  | 02.19.071G.00  |
| 26   | Power Cord with Plug                                    | ---  | R02.18.030.00 | 02.18.085.00  | 02.18.085.00  | 02.18.077.00  | 02.18.068.00  | 02.18.077.00   | 02.18.068.00   |
| 27   | Strain Relief   | ---  | 02.20.212.00  | 02.20.212.00  | 02.20.212.00  | 02.20.212.00  | 02.20.212.00  | 02.20.212.00   | 02.20.212.00   |
|      | Electrical Diagram with Infinite Switch                 | ---  | HS1-5725      | HS1-4505      | HS1-4505      | HS1-4654      | HS1-4655      | HS1-4654       | HS1-4655       |
|      | Electrical Diagram without Infinite Switch              | ---  | HS1-5724      | HS1-4544      | HS1-4544      | HS1-4652      | HS1-4653      | HS1-4652       | HS1-4653       |

### PARTS SPECIFIC TO GR2BW-48 MODELS

| ITEM | DESCRIPTION   | 100V | 120V          | 120/208V      | 120/240V      | 220E          | 240E          | 220-230E<br>CE | 230-240E<br>CE |
|------|---|------|---------------|---------------|---------------|---------------|---------------|----------------|----------------|
| 17   | Heating Element, Upper, 1100 Watt                       | ---  | R02.08.110.00 | R02.08.110.00 | R02.08.110.00 | R02.08.142.00 | R02.08.112.00 | R02.08.142.00  | R02.08.112.00  |
| 18   | Guard, Upper Element                                    | ---  | 04.08.033.00  | 04.08.033.00  | 04.08.033.00  | 04.08.033.00  | 04.08.033.00  | 04.08.033.00   | 04.08.033.00   |
| 19   | Light Bulb, Shatter Resistant                           | ---  | 02.30.043.00  | 02.30.043.00  | 02.30.043.00  | 02.30.058.00  | 02.30.058.00  | 02.30.058.00   | 02.30.058.00   |
| 20   | Breath Protector with Hardware,<br>8" (20 cm) (Qty. 2)  | ---  | R04.12.097.00 | R04.12.097.00 | R04.12.097.00 | R04.12.097.00 | R04.12.097.00 | R04.12.097.00  | R04.12.097.00  |
| 21   | Breath Protector with Hardware,<br>14" (36 cm) (Qty. 2) | ---  | R04.12.180.00 | R04.12.180.00 | R04.12.180.00 | R04.12.180.00 | R04.12.180.00 | R04.12.180.00  | R04.12.180.00  |
| 22   | Heating Element, Lower, 700 Watt                        | ---  | 02.05.330.00  | 02.05.330.00  | 02.05.330.00  | 02.05.373.00  | 02.05.382.00  | 02.05.373.00   | 02.05.382.00   |
| 23   | Infinite Switch (Optional)                              | ---  | R02.19.018.00 | R02.19.018.00 | R02.19.018.00 | R02.19.019.00 | R02.19.019.00 | R02.19.019.00  | R02.19.019.00  |
| 24   | Indicator Light, Red                                    | ---  | 02.19.070R.00 | 02.19.070R.00 | 02.19.070R.00 | 02.19.071R.00 | 02.19.071R.00 | ---            | ---            |
| 25   | Indicator Light, Green                                  | ---  | ---           | ---           | ---           | ---           | ---           | 02.19.071G.00  | 02.19.071G.00  |
| 26   | Power Cord with Plug                                    | ---  | 02.18.083.00  | 02.18.085.00  | 02.18.085.00  | 02.18.077.00  | 02.18.068.00  | 02.18.077.00   | 02.18.068.00   |
| 27   | Strain Relief   | ---  | 02.20.212.00  | 02.20.212.00  | 02.20.212.00  | 02.20.212.00  | 02.20.212.00  | 02.20.212.00   | 02.20.212.00   |
|      | Electrical Diagram with Infinite Switch                 | ---  | HS1-5725      | HS1-4505      | HS1-4505      | HS1-4654      | HS1-4655      | HS1-4654       | HS1-4655       |
|      | Electrical Diagram without Infinite Switch              | ---  | HS1-5724      | HS1-4544      | HS1-4544      | HS1-4652      | HS1-4653      | HS1-4652       | HS1-4653       |

Shaded area reflects **export models only**.

### PARTS SPECIFIC TO GR2BW-54 MODELS

| ITEM | DESCRIPTION   | 100V | 120V          | 120/208V      | 120/240V      | 220E          | 240E          | 220-230E<br>CE | 230-240E<br>CE |
|------|---|------|---------------|---------------|---------------|---------------|---------------|----------------|----------------|
| 17   | Heating Element, Upper, 1250 Watt                       | ---  | R02.08.125.00 | R02.08.125.00 | R02.08.125.00 | R02.08.142.00 | R02.08.112.00 | R02.08.142.00  | R02.08.112.00  |
| 18   | Guard, Upper Element                                    | ---  | 04.08.038.00  | 04.08.038.00  | 04.08.038.00  | 04.08.038.00  | 04.08.038.00  | 04.08.038.00   | 04.08.038.00   |
| 19   | Light Bulb, Shatter Resistant                           | ---  | 02.30.043.00  | 02.30.043.00  | 02.30.043.00  | 02.30.058.00  | 02.30.058.00  | 02.30.058.00   | 02.30.058.00   |
| 20   | Breath Protector with Hardware,<br>8" (20 cm) (Qty. 2)  | ---  | R04.12.098.00 | R04.12.098.00 | R04.12.098.00 | R04.12.098.00 | R04.12.098.00 | R04.12.098.00  | R04.12.098.00  |
| 21   | Breath Protector with Hardware,<br>14" (36 cm) (Qty. 2) | ---  | R04.12.181.00 | R04.12.181.00 | R04.12.181.00 | R04.12.181.00 | R04.12.181.00 | R04.12.181.00  | R04.12.181.00  |
| 22   | Heating Element, Lower, 800 Watt                        | ---  | 02.05.331.00  | 02.05.331.00  | 02.05.331.00  | 02.05.373.00  | 02.05.382.00  | 02.05.373.00   | 02.05.382.00   |
| 23   | Infinite Switch (Optional)                              | ---  | R02.19.018.00 | R02.19.018.00 | R02.19.018.00 | R02.19.019.00 | R02.19.019.00 | R02.19.019.00  | R02.19.019.00  |
| 24   | Indicator Light, Red                                    | ---  | 02.19.070R.00 | 02.19.070R.00 | 02.19.070R.00 | 02.19.071R.00 | 02.19.071R.00 | ---            | ---            |
| 25   | Indicator Light, Green                                  | ---  | ---           | ---           | ---           | ---           | ---           | 02.19.071G.00  | 02.19.071G.00  |
| 26   | Power Cord with Plug                                    | ---  | 02.18.083.00  | 02.18.085.00  | 02.18.085.00  | 02.18.077.00  | 02.18.068.00  | 02.18.077.00   | 02.18.068.00   |
| 27   | Strain Relief   | ---  | 02.20.206.00  | 02.20.212.00  | 02.20.212.00  | 02.20.212.00  | 02.20.212.00  | 02.20.212.00   | 02.20.212.00   |
|      | Electrical Diagram with Infinite Switch                 | ---  | HS1-5725      | HS1-4505      | HS1-4505      | HS1-4654      | HS1-4655      | HS1-4654       | HS1-4655       |
|      | Electrical Diagram without Infinite Switch              | ---  | HS1-5724      | HS1-4544      | HS1-4544      | HS1-4652      | HS1-4653      | HS1-4652       | HS1-4653       |

### PARTS SPECIFIC TO GR2BW-60 MODELS

| ITEM | DESCRIPTION   | 100V | 120V | 120/208V      | 120/240V      | 220E          | 240E          | 220-230E<br>CE | 230-240E<br>CE |
|------|---|------|------|---------------|---------------|---------------|---------------|----------------|----------------|
| 17   | Heating Element, Upper, 1400 Watt                       | ---  | ---  | R02.08.113.00 | R02.08.113.00 | R02.08.144.00 | R02.08.115.00 | R02.08.144.00  | R02.08.115.00  |
| 18   | Guard, Upper Element                                    | ---  | ---  | 04.08.034.00  | 04.08.034.00  | 04.08.034.00  | 04.08.034.00  | 04.08.034.00   | 04.08.034.00   |
| 19   | Light Bulb, Shatter Resistant                           | ---  | ---  | 02.30.043.00  | 02.30.043.00  | 02.30.058.00  | 02.30.058.00  | 02.30.058.00   | 02.30.058.00   |
| 20   | Breath Protector with Hardware,<br>8" (20 cm) (Qty. 2)  | ---  | ---  | R04.12.099.00 | R04.12.099.00 | R04.12.099.00 | R04.12.099.00 | R04.12.099.00  | R04.12.099.00  |
| 21   | Breath Protector with Hardware,<br>14" (36 cm) (Qty. 2) | ---  | ---  | R04.12.182.00 | R04.12.182.00 | R04.12.182.00 | R04.12.182.00 | R04.12.182.00  | R04.12.182.00  |
| 22   | Heating Element, Lower, 900 Watt                        | ---  | ---  | 02.05.332.00  | 02.05.332.00  | 02.05.375.00  | 02.05.384.00  | 02.05.375.00   | 02.05.384.00   |
| 23   | Infinite Switch (Optional)                              | ---  | ---  | R02.19.018.00 | R02.19.018.00 | R02.19.019.00 | R02.19.019.00 | R02.19.019.00  | R02.19.019.00  |
| 24   | Indicator Light, Red                                    | ---  | ---  | 02.19.070R.00 | 02.19.070R.00 | 02.19.071R.00 | 02.19.071R.00 | ---            | ---            |
| 25   | Indicator Light, Green                                  | ---  | ---  | ---           | ---           | ---           | ---           | 02.19.071G.00  | 02.19.071G.00  |
| 26   | Power Cord with Plug                                    | ---  | ---  | 02.18.085.00  | 02.18.085.00  | 02.18.038.00  | 02.18.068.00  | 02.18.038.00   | 02.18.068.00   |
| 27   | Strain Relief   | ---  | ---  | 02.20.212.00  | 02.20.212.00  | 02.20.212.00  | 02.20.212.00  | 02.20.212.00   | 02.20.212.00   |
|      | Electrical Diagram with Infinite Switch                 | ---  | ---  | HS1-4505      | HS1-4505      | HS1-4654      | HS1-4655      | HS1-4654       | HS1-4655       |
|      | Electrical Diagram without Infinite Switch              | ---  | ---  | HS1-4544      | HS1-4544      | HS1-4652      | HS1-4653      | HS1-4652       | HS1-4653       |

Shaded area reflects **export models only**.

### PARTS SPECIFIC TO GR2BW-66 MODELS

| ITEM | DESCRIPTION   | 100V | 120V | 120/208V      | 120/240V      | 220E          | 240E          | 220-230E<br>CE | 230-240E<br>CE |
|------|---|------|------|---------------|---------------|---------------|---------------|----------------|----------------|
| 17   | Heating Element, Upper, 1560 Watt                       | ---  | ---  | R02.08.132.00 | R02.08.132.00 | R02.08.145.00 | R02.08.134.00 | R02.08.145.00  | R02.08.134.00  |
| 18   | Guard, Upper Element                                    | ---  | ---  | 04.08.040.00  | 04.08.040.00  | 04.08.040.00  | 04.08.040.00  | 04.08.040.00   | 04.08.040.00   |
| 19   | Light Bulb, Shatter Resistant                           | ---  | ---  | 02.30.043.00  | 02.30.043.00  | 02.30.058.00  | 02.30.058.00  | 02.30.058.00   | 02.30.058.00   |
| 20   | Breath Protector with Hardware,<br>8" (20 cm) (Qty. 2)  | ---  | ---  | R04.12.100.00 | R04.12.100.00 | R04.12.100.00 | R04.12.100.00 | R04.12.100.00  | R04.12.100.00  |
| 21   | Breath Protector with Hardware,<br>14" (36 cm) (Qty. 2) | ---  | ---  | R04.12.183.00 | R04.12.183.00 | R04.12.183.00 | R04.12.183.00 | R04.12.183.00  | R04.12.183.00  |
| 22   | Heating Element, Lower, 1000 Watt                       | ---  | ---  | 02.05.333.00  | 02.05.333.00  | 02.05.376.00  | 02.05.385.00  | 02.05.376.00   | 02.05.385.00   |
| 23   | Infinite Switch (Optional)                              | ---  | ---  | R02.19.018.00 | R02.19.018.00 | R02.19.019.00 | R02.19.019.00 | R02.19.019.00  | R02.19.019.00  |
| 24   | Indicator Light, Red                                    | ---  | ---  | 02.19.070R.00 | 02.19.070R.00 | 02.19.071R.00 | 02.19.071R.00 | ---            | ---            |
| 25   | Indicator Light, Green                                  | ---  | ---  | ---           | ---           | ---           | ---           | 02.19.071G.00  | 02.19.071G.00  |
| 26   | Power Cord with Plug                                    | ---  | ---  | 02.18.085.00  | 02.18.085.00  | 02.18.038.00  | 02.18.068.00  | 02.18.038.00   | 02.18.068.00   |
| 27   | Strain Relief   | ---  | ---  | 02.20.212.00  | 02.20.212.00  | 02.20.212.00  | 02.20.212.00  | 02.20.212.00   | 02.20.212.00   |
|      | Electrical Diagram with Infinite Switch                 | ---  | ---  | HS1-4505      | HS1-4505      | HS1-4654      | HS1-4655      | HS1-4654       | HS1-4655       |
|      | Electrical Diagram without Infinite Switch              | ---  | ---  | HS1-4544      | HS1-4544      | HS1-4652      | HS1-4653      | HS1-4652       | HS1-4653       |

### PARTS SPECIFIC TO GR2BW-72 MODELS

| ITEM | DESCRIPTION   | 100V | 120V | 120/208V       | 120/240V       | 220E          | 240E          | 220-230E<br>CE | 230-240E<br>CE |
|------|---|------|------|----------------|----------------|---------------|---------------|----------------|----------------|
| 17   | Heating Element, Upper, 1725 Watt                       | ---  | ---  | R02.08.116D.00 | R02.08.116D.00 | R02.08.148.00 | R02.08.118.00 | R02.08.148.00  | R02.08.118.00  |
| 18   | Guard, Upper Element                                    | ---  | ---  | 04.08.035.00   | 04.08.035.00   | 04.08.035.00  | 04.08.035.00  | 04.08.035.00   | 04.08.035.00   |
| 19   | Light Bulb, Shatter Resistant                           | ---  | ---  | 02.30.043.00   | 02.30.043.00   | 02.30.058.00  | 02.30.058.00  | 02.30.058.00   | 02.30.058.00   |
| 20   | Breath Protector with Hardware,<br>8" (20 cm) (Qty. 2)  | ---  | ---  | R04.12.101.00  | R04.12.101.00  | R04.12.101.00 | R04.12.101.00 | R04.12.101.00  | R04.12.101.00  |
| 21   | Breath Protector with Hardware,<br>14" (36 cm) (Qty. 2) | ---  | ---  | R04.12.184.00  | R04.12.184.00  | R04.12.184.00 | R04.12.184.00 | R04.12.184.00  | R04.12.184.00  |
| 22   | Heating Element, Lower, 1100 Watt                       | ---  | ---  | 02.05.334.00   | 02.05.334.00   | 02.05.377.00  | 02.05.386.00  | 02.05.377.00   | 02.05.386.00   |
| 23   | Infinite Switch (Optional)                              | ---  | ---  | R02.19.018.00  | R02.19.018.00  | R02.19.019.00 | R02.19.019.00 | R02.19.019.00  | R02.19.019.00  |
| 24   | Indicator Light, Red                                    | ---  | ---  | 02.19.070R.00  | 02.19.070R.00  | 02.19.071R.00 | 02.19.071R.00 | ---            | ---            |
| 25   | Indicator Light, Green                                  | ---  | ---  | ---            | ---            | ---           | ---           | 02.19.071G.00  | 02.19.071G.00  |
| 26   | Power Cord with Plug                                    | ---  | ---  | 02.18.085.00   | 02.18.085.00   | 02.18.038.00  | 02.18.068.00  | 02.18.038.00   | 02.18.068.00   |
| 27   | Strain Relief   | ---  | ---  | 02.20.212.00   | 02.20.212.00   | 02.20.212.00  | 02.20.212.00  | 02.20.212.00   | 02.20.212.00   |
|      | Electrical Diagram with Infinite Switch                 | ---  | ---  | HS1-4505       | HS1-4505       | HS1-4654      | HS1-4655      | HS1-4654       | HS1-4655       |
|      | Electrical Diagram without Infinite Switch              | ---  | ---  | HS1-4544       | HS1-4544       | HS1-4652      | HS1-4653      | HS1-4652       | HS1-4653       |

Shaded area reflects **export models only**.

## HATCO AUTHORIZED PARTS DISTRIBUTORS

### ALABAMA

Jones McLead Appl. Svc.  
Birmingham 205-251-0159

### ARIZONA

Auth. Comm. Food Equip.  
Phoenix 602-234-2443  
Byassee Equipment Co.  
Phoenix 602-252-0402

### CALIFORNIA

Industrial Electric  
Huntington Beach 714-379-7100  
Chapman Appl. Service  
San Diego 619-298-7106  
P & D Appliance  
S. San Francisco 650-635-1900

### COLORADO

Hawkins Commercial Appliance  
Englewood 303-781-5548

### DELAWARE

Food Equipment Service  
Wilmington 302-996-9363

### FLORIDA

Whaley Foodservice Repair  
Jacksonville 904-725-7800  
Nass Service Co., Inc.  
Orlando 407-425-2681  
B.G.S.I.  
Pompano Beach 954-971-0456  
Comm. Appliance Service  
Tampa 813-663-0313

### GEORGIA

Southeastern Rest. Svc.  
Norcross 770-446-6177

### HAWAII

Burney's Comm. Service, Inc.  
Honolulu 808-848-1466  
Food Equip Parts & Service  
Honolulu 808-847-4871

### ILLINOIS

Parts Town  
Lombard 708-865-7278  
Eichenauer Elec. Service  
Decatur 217-429-4229  
Midwest Elec. Appl. Service  
Elmhurst 630-279-8000  
Cone's Repair Service  
Moline 309-797-5323

### INDIANA

GCS Service  
Indianapolis 317-545-9655

### IOWA

Electric Motor Service Co.  
Davenport 319-323-1823

### KENTUCKY

GCS Service  
Louisville 502-367-1788

### LOUISIANA

Chandlers Parts & Service  
Baton Rouge 225-272-6620  
Bana Comm. Parts, Inc.  
Shreveport 318-631-6550

### MARYLAND

Electric Motor Service  
Baltimore 410-467-8080  
GCS Service  
Silver Spring 301-585-7550

### MASSACHUSETTS

Ace Service Co., Inc.  
Needham 781-449-4220

### MICHIGAN

Commercial Kitchen Service  
Bay City 517-893-4561  
Bildons Appliance Service  
Detroit 248-478-3320  
Midwest Food Equip. Service  
Grandville 616-261-2000

### MINNESOTA

GCS Service  
Minneapolis 612-546-4221

### MISSOURI

GCS Service  
Kansas City 816-920-5999  
Commercial Kitchen Services  
St. Louis 314-890-0700  
Kaemmerlen Parts & Service  
St. Louis 314-535-2222

### NEBRASKA

Anderson Electric  
Omaha 402-341-1414

### NEVADA

Burney's Commercial  
Las Vegas 702-736-0006  
Hi. Tech Commercial Service  
N. Las Vegas 702-649-4616

### NEW JERSEY

Jay Hill Repair  
Fairfield 973-575-9145  
Service Plus  
Flanders 973-691-6300

### NEW YORK

Acme American Repairs, Inc.  
Brooklyn 718-456-6544  
Alpro Service Co.  
Brooklyn 718-386-2515  
Appliance Installation  
Buffalo 716-884-7425  
Northern Parts Dist.  
Plattsburgh 518-563-3200  
J. B. Brady, Inc.  
Syracuse 315-422-9271

### NORTH CAROLINA

Authorized Appliance  
Charlotte 704-377-4501

### OHIO

Akron/Canton Comm. Svc. Inc.  
Akron 330-753-6635  
Certified Service Center  
Cincinnati 513-772-6600  
GCS Service  
Columbus 614-476-3225  
Electrical Appl. Repair Service  
Independence 216-459-8700  
E. A. Wichman Co.  
Toledo 419-385-9121

### OKLAHOMA

Hagar Rest. Service, Inc.  
Oklahoma City 405-235-2184  
Krueger, Inc.  
Oklahoma City 405-528-8883

### OREGON

Bressie Electric Co.  
Portland 503-231-7171  
Ron's Service, Inc.  
Portland 503-624-0890

### PENNSYLVANIA

Authorized Factory Service  
Coraopolis 412-262-2330  
FAST Comm. Appl. Service  
Philadelphia 215-288-4800

GCS Service  
Pittsburgh 412-787-1970

K & D Service Co.  
Harrisburg 717-236-9039

Elmer Schultz Services  
Philadelphia 215-627-5401

Electric Repair Co.  
Reading 610-376-5444

### RHODE ISLAND

Marshall Electric Co.  
Providence 401-331-1163

### SOUTH CAROLINA

Whaley Foodservice Repair  
W. Columbia 803-791-4420

### TENNESSEE

Camp Electric  
Memphis 901-527-7543

### TEXAS

Stove Parts Supply  
Fort Worth 817-831-0381

Armstrong Repair Service  
Houston 713-666-7100

Commercial Kitchen Repair Co.  
San Antonio 210-735-2811

San Antonio Rest. Equip.  
San Antonio 210-532-1660

### UTAH

GCS Service  
Salt Lake City 801-487-3653

### VIRGINIA

Daubers  
Norfolk 757-855-4097

Daubers  
Springfield 703-866-3600

### WASHINGTON

Restaurant Appl. Service  
Seattle 206-524-8200

### WISCONSIN

A.S.C., Inc.  
Madison 608-246-3160  
A.S.C., Inc.  
Milwaukee 414-543-6460

## CANADA

### BRITISH COLUMBIA

Key Food Equipment Service  
Vancouver 604-433-4484

### ONTARIO

R.G. Henderson Ltd.  
Toronto 416-422-5580

## HATCO CORPORATION

P.O. Box 340500, Milwaukee, WI 53234-0500 U.S.A.

(800) 558-0607 (414) 671-6350

Parts & Service Fax (800) 690-2966 Int'l. Fax (414) 671-3976

www.hatcocorp.com