

# Assembly Instructions: Service Cart

PRODUCT NUMBER: UC4018 & UC4525

## Parts List:

4 Legs, 4 Corners, 2 Shelves  
2 Fixed Casters, 2 Swivel Casters, 1 Handle  
1 Hardware Packet Containing 12 Screws, 16 Bolts,  
16 Lock Washers, 16 Nuts (15mm)

## Tools Needed:

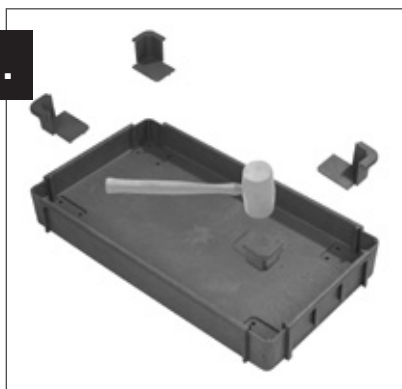
Phillips Screwdriver, Mallet, Wrench

**Assembled  
ServiceCart**



Steps:

1.



2.



3.

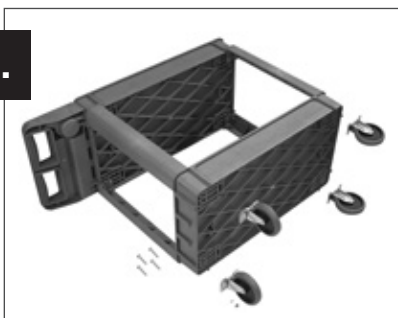


Use 3 screws to secure each leg to frame

4.



5.



Use 4 bolts, lock washers and nuts to secure legs and casters to frame

**Parts  
Replacement**

