

MOTAK

Worktop Refrigerator 2-section

Model #: MUR-48-X

Product Details

- Eco-friendly R290 refrigerant
- Durable stainless steel front and sides
- Temperature range: 33-41°F
- Self-closing doors with 90 degree stay-open feature
- Adjustable heavy-duty coated shelves
- Factory-installed 4" swivel casters
- Full-length, integrated door handle
- Condenser coil is easy to access for cleaning and maintenance

Not suitable for installation in non-commercial or residential applications.



Warranty

WARRANTY: 2 years parts & labor and additional 3 years on compressor

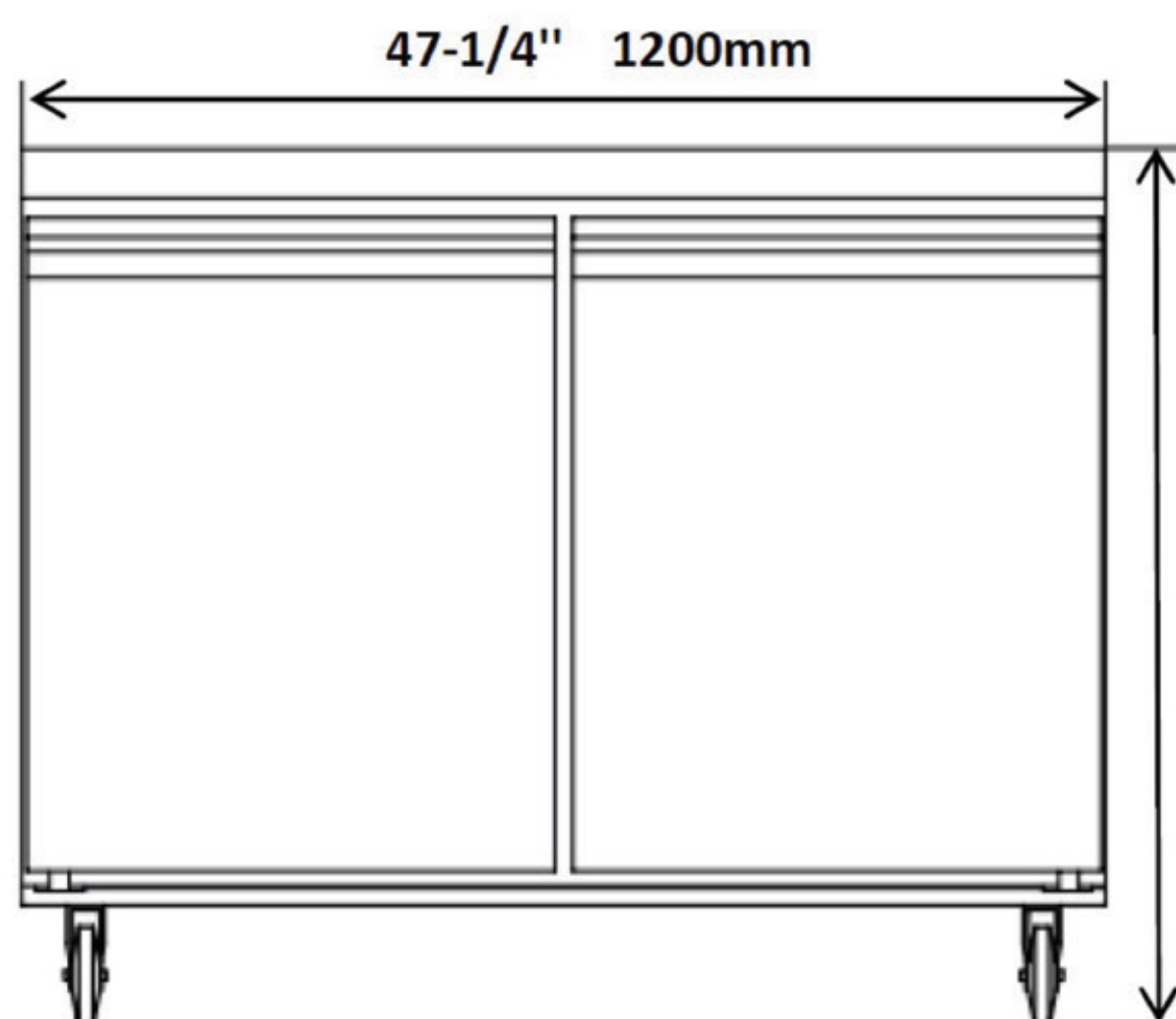
Certifications



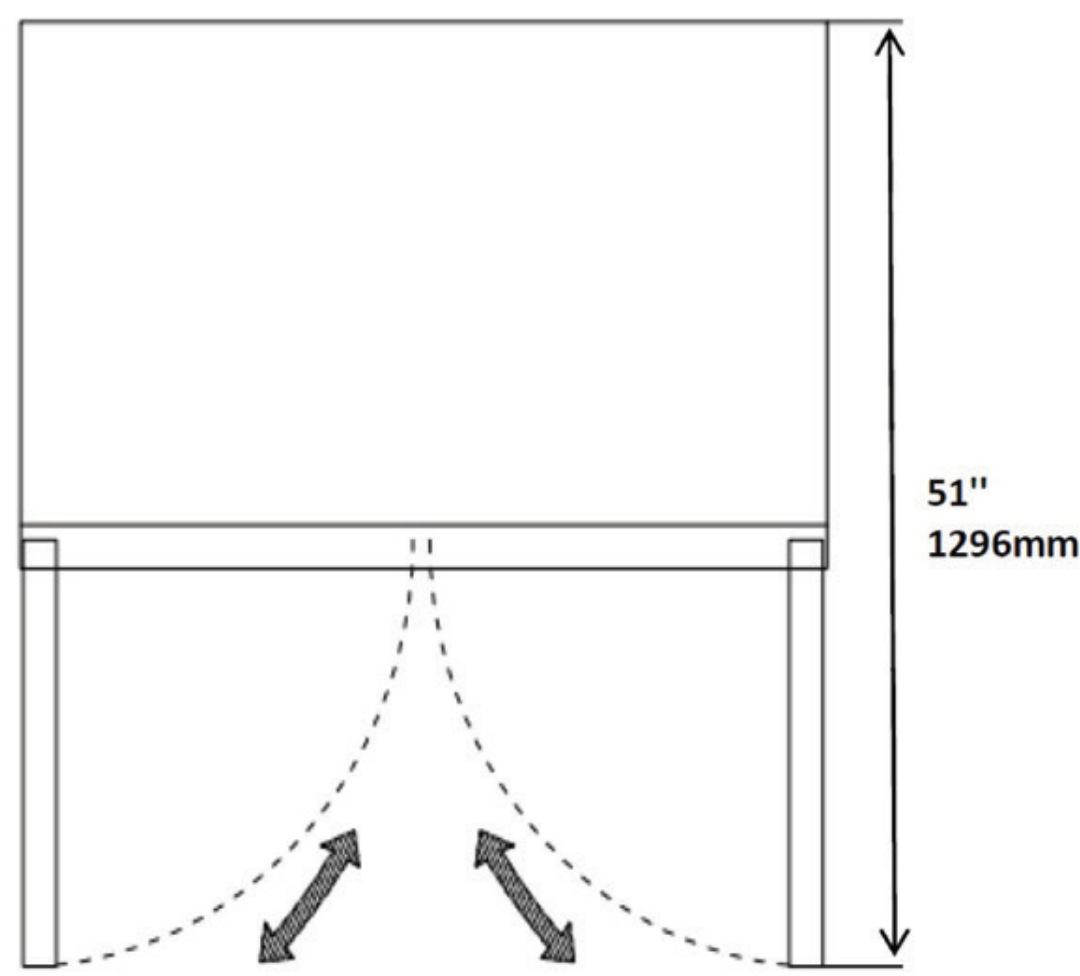
Specifications

Model	Doors	Shelves	Cabinet Dims (in)			HP	Voltage	Amp	NEMA Plug	Cord Length (ft)	Crated Weight (lbs)
			Width	Depth	Height						
MUR-48-X	2	2	47.25"	29.5"	35.25"	1/5	115/60/1	2.7	5-15P	10 ft.	299 lbs.

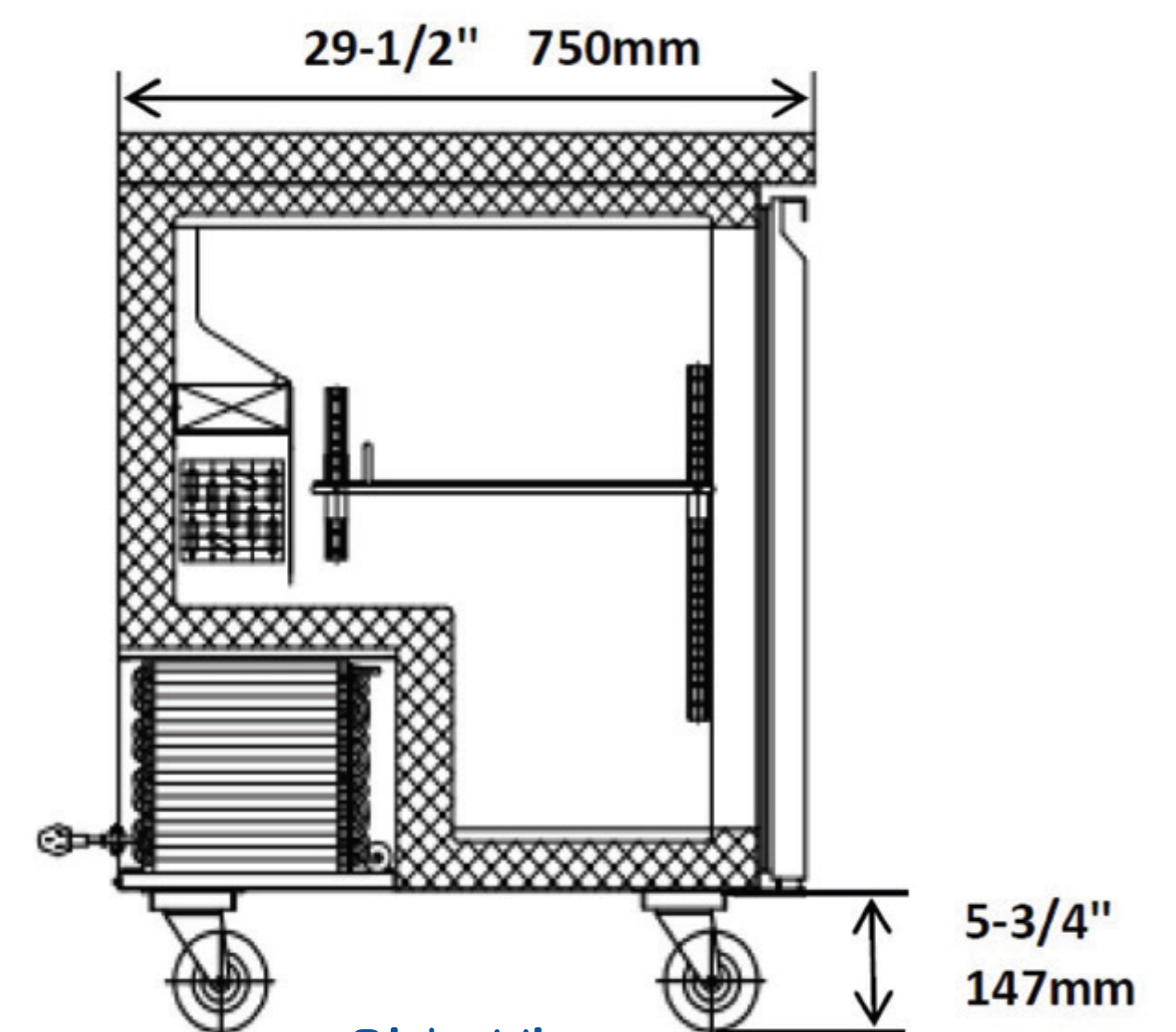
Plan View



Front View



Top View



Side View

MOTAK reserves the right to make changes to the design or specifications without prior notice.