



4184 E. Conant st., Long Beach, CA 90808
 Tel. 800-500-3519 Fax. 310-900-1066
www.gkradiance.com

Project :

Model # :

Item # :

Qty :

Available W/H :

Approval :

Salamander Broilers

Model : TASM-24



≡ FEATURES & BENEFITS ≡

- *Adjustable gas valve*
- *Spring balanced grid*
- *4 locking positions*
- *Rolling out grid for easy loading and unloading*
- *Removable grease pan for easy cleaning*
- *Can be mounted over Radiance range and can also be wall or counter mounted*
- *Stainless steel grid*
- *Stainless steel front, sides and interior*
- *CSA certified for safety / sanitation for USA and Canada*



Model	Weight (lbs.)	Length (inches)	Total BTUs
TASM-24	155	24	25,000
TASM-24-LP	155	24	25,000

Salamander Broilers

Model : TASM-24

DATA	TASM-24	TASM-24-LP
Gas Type	NAT	LPG
Gas Connection	3/4"	3/4"
Regulator	1	1
Gas Pressure	5.W.C"	10.W.C"
BTU	25,000	25,000
DIMENSIONAL DATA		
Ext. Length Overall (inch)	24 (610mm)	24 (610mm)
Ext. Depth Overall (inch)	20 1/2 (519mm)	20 1/2 (519mm)
Ext. Height Overall (inch)	19 (483mm)	19 (483mm)
Weight (lbs.)	155	155

Design and specifications subject to change without notice.
Actual shipping weight may differ due to extra packing materials for product protection.

■ WARRANTY : 1 Year Parts and Labor Warranty

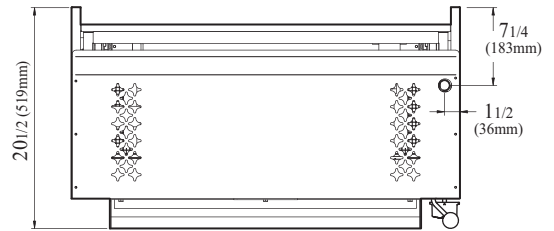
■ Range mounting brackets standard

■ OPTIONAL ACCESSORIES

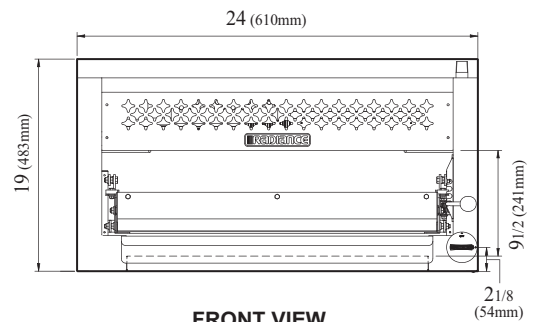
- 24" wall mounting brackets: RCM1018
- Hood mount shelf to mount on 36" range: RCM1021
- Hood mount shelf to mount on 48" range: RCM1022
- Hood mount shelf to mount on 60" range: RCM1023
- Burner, Metal, Set 3, TACM-24, TACM-48, TASM-24, 18.5" X 9.5": RCM1005-1

PLAN VIEW

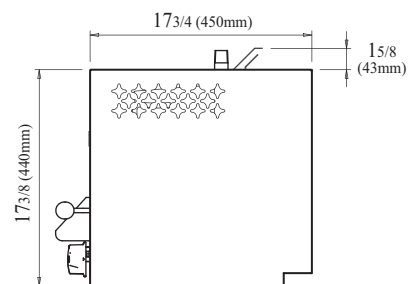
(unit : inch)



TOP VIEW



FRONT VIEW



SIDE VIEW

Ver.20200921



- Turbo Air : 800-627-0032 ■ GK : 800-500-3519
- Warranty : 800-381-7770 ■ AC : 888-900-1002

TURBO AIR REFRIGERATOR MANUFACTURER

GERMAN KNIFE

RADIANCE

TURBO AIR REFRIGERATION SYSTEM

TEXAKING