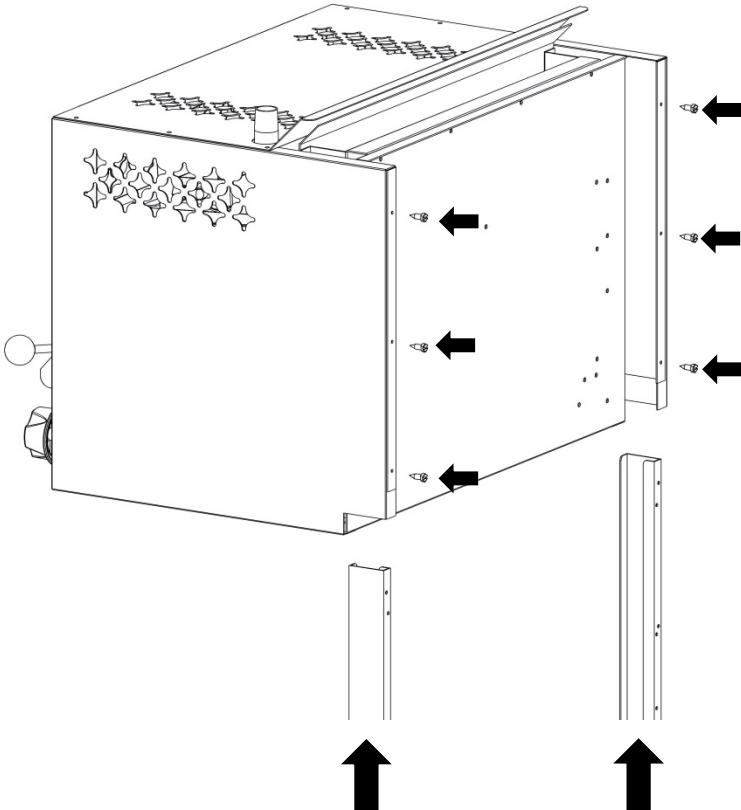
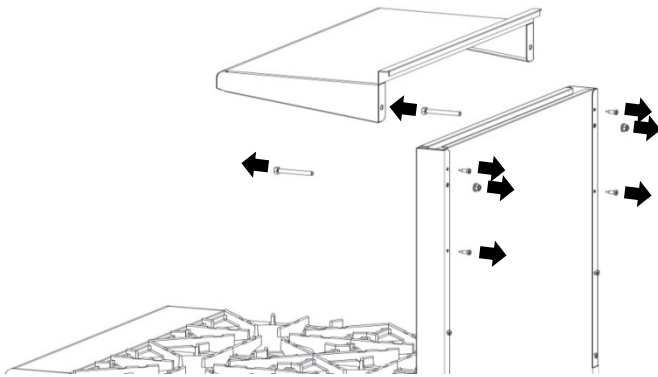


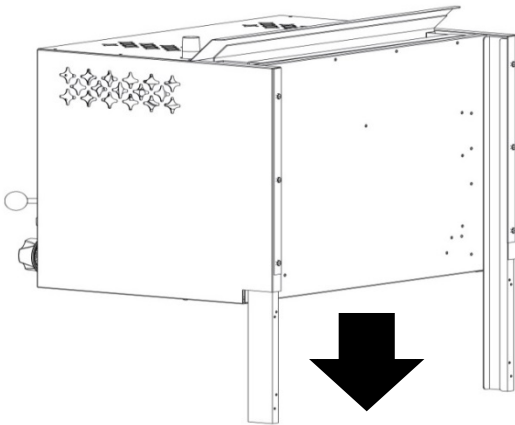
- Take off all screws on salamander



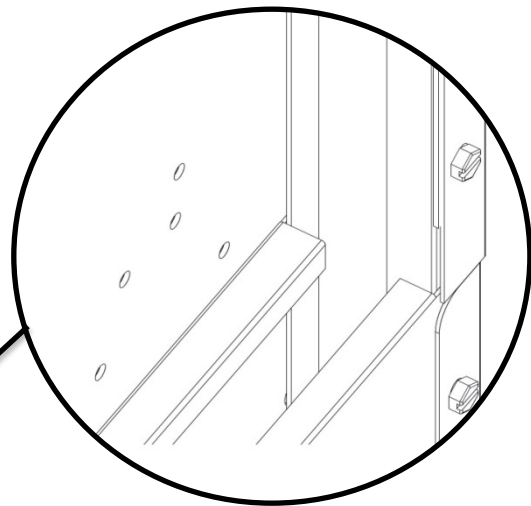
- Plug the range mount into the salamander and align with screw holes.



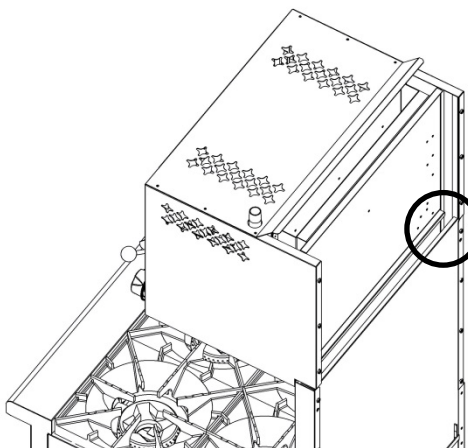
- Take the shelf out in order to mount the salamander.



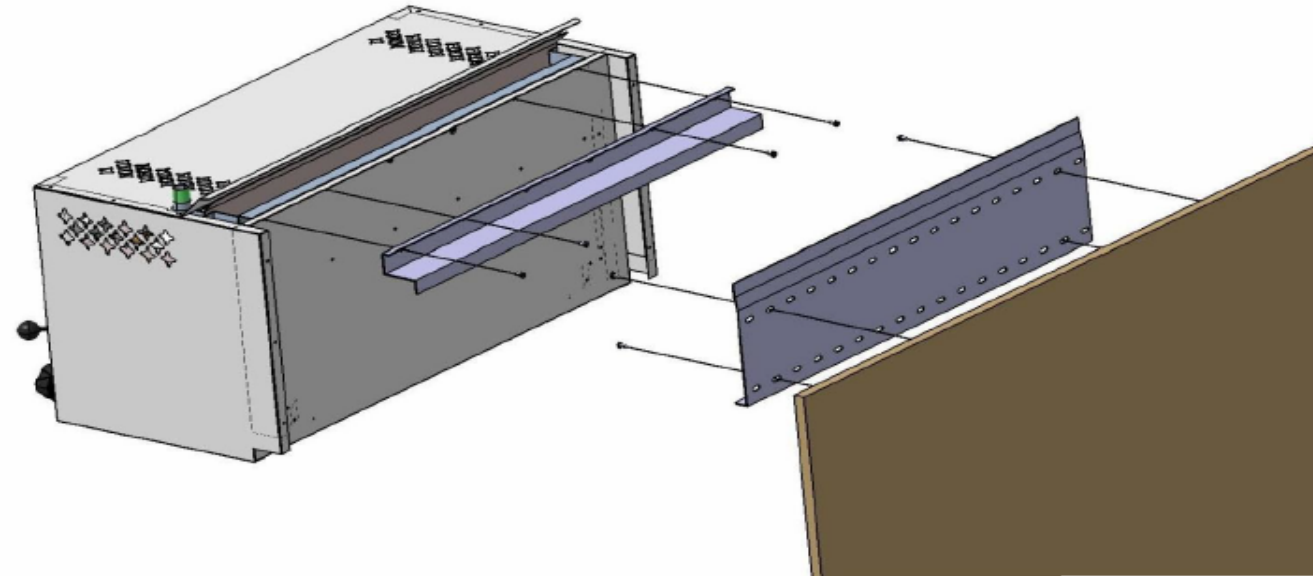
- Lift salamander with aligned mounts and insert into back panel.



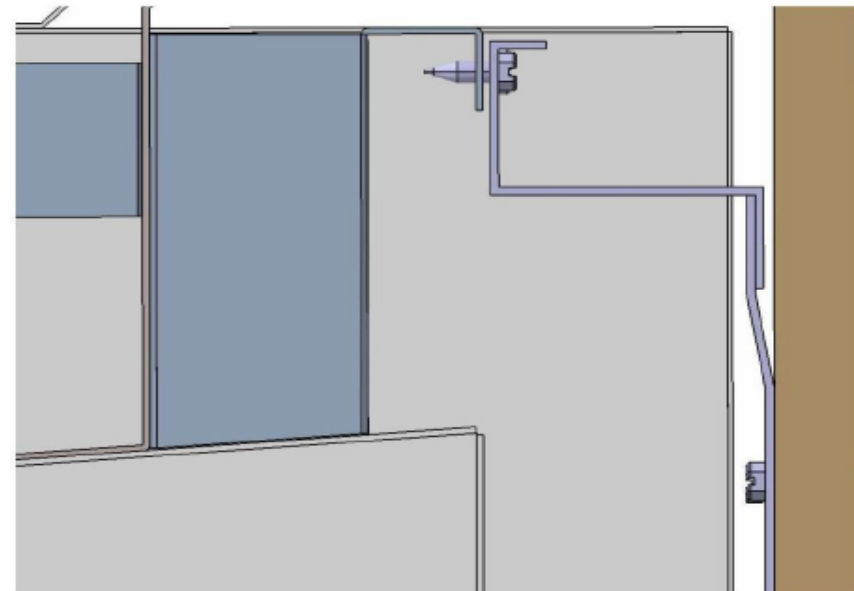
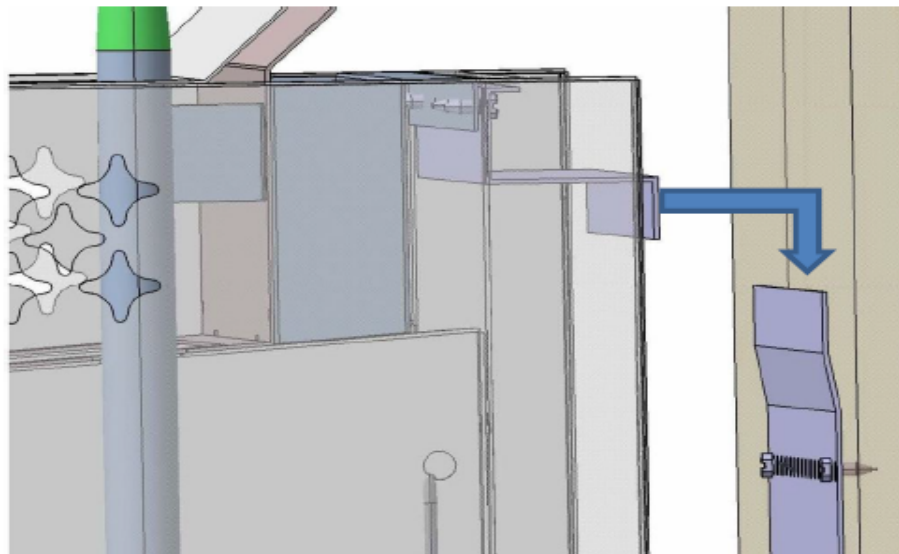
- Screw all the screws back into place.



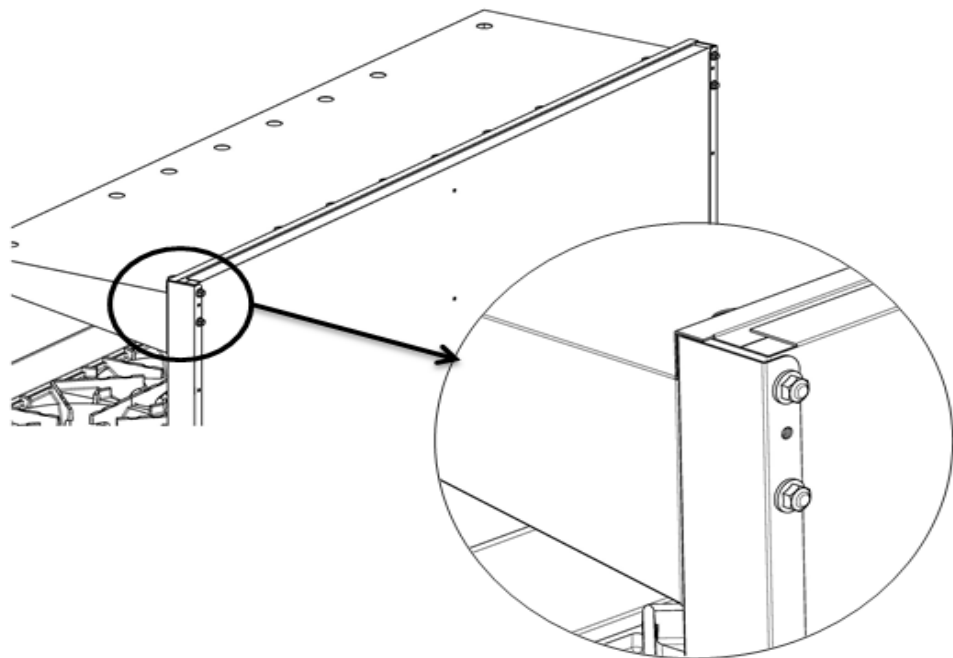
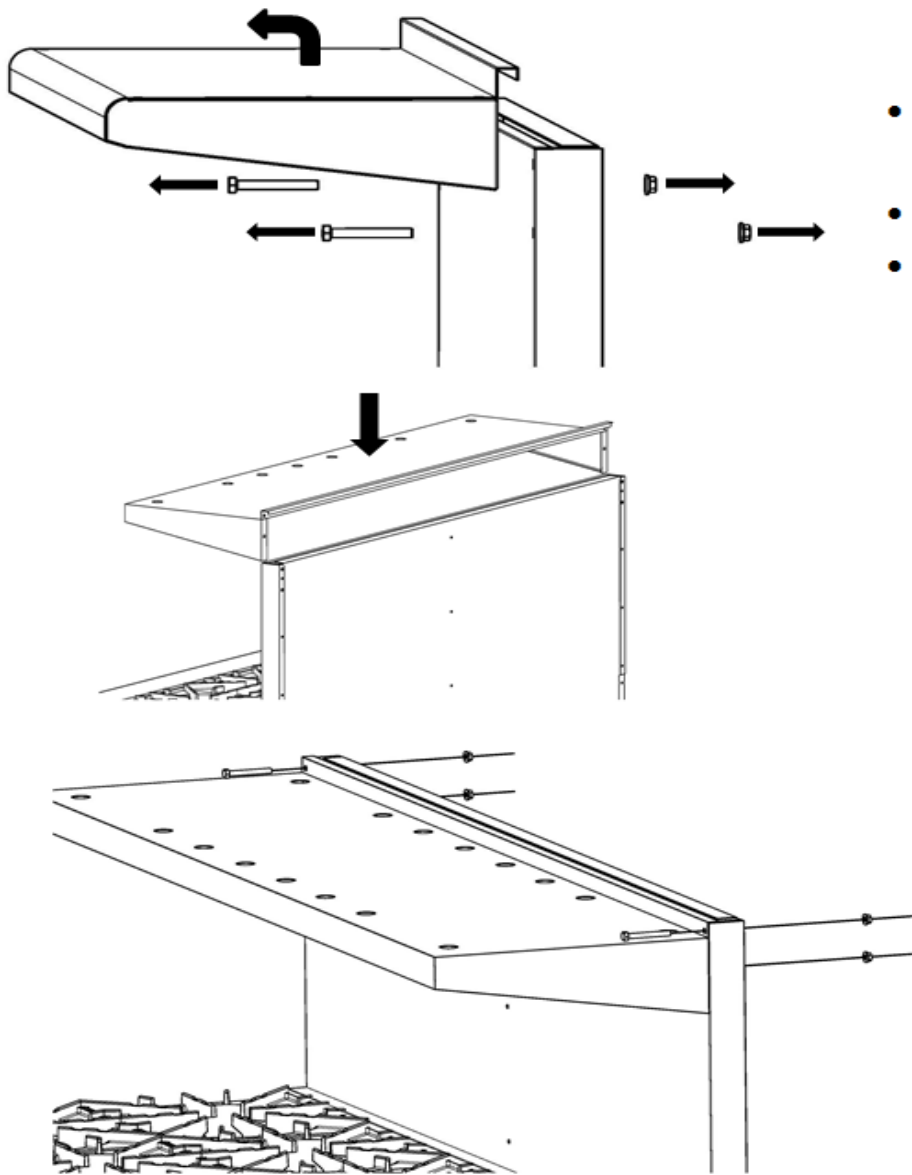
### WALL MOUNTING INSTRUCTIONS FOR TACM AND TASM

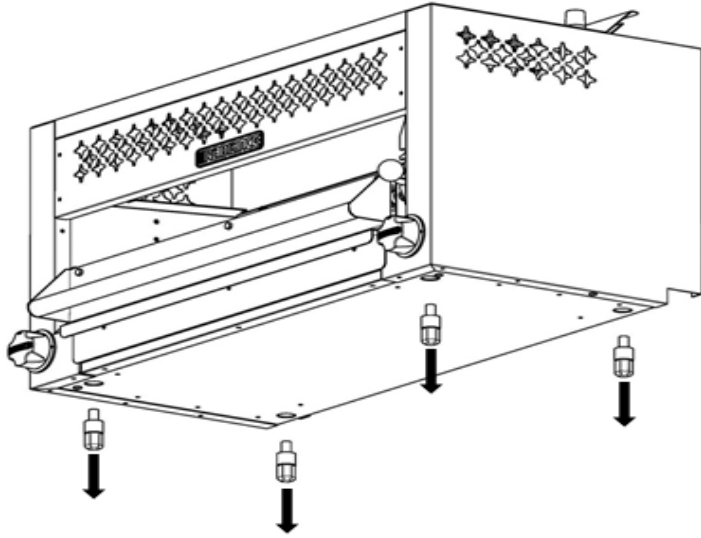


1. Please install the four screws to the body
2. Please install the four screws to the wall
3. Please hang the brackets as shown in the figure below



- After removing the bolts and nuts, disconnect the hood.
- Insert the hood onto the oven body.
- Screwed the four bolts and nuts as shown in the figure below.





- Remove the legs of the Salamanders/  
Cheese melters.
- Insert Salamanders / Cheese melters  
into position on top of the hood.

