



BEVERAGE STATION™

PRO-LINE™ 59" - 8 KEG

- Designed to dispense an array of beverages, at their perfect temperature including red and white wine, beer and cocktails.
- Front breathing for cooling and exhaust.



MBB58BC-E

Black



Keg footprint example



Two (2) Zone, Dual-Temperature:

Built-in digital thermostats allow for custom temperature settings based on your preference.

FOR EXAMPLE:

Cold Side: Beer, white wine, cocktails @ 36°F

Warm Side: Red Wine @ 45° - 70°F



Towers and drip trays ordered separately.



Listed by Edison Testing Laboratories.
Conforms to UL & NSF Standards.

www.micromatic.com • 1 (866) 327-4159

PRO-LINE™ BEVERAGE STATION™

Job Number: _____ Location: _____

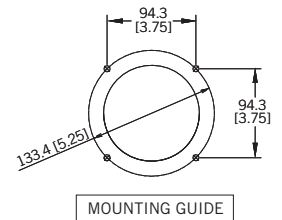
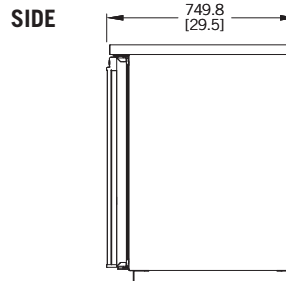
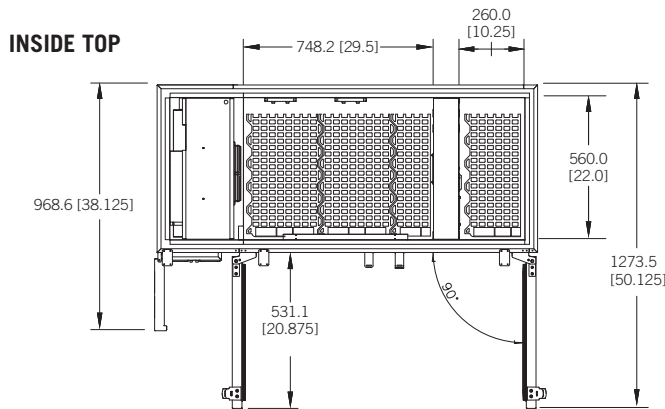
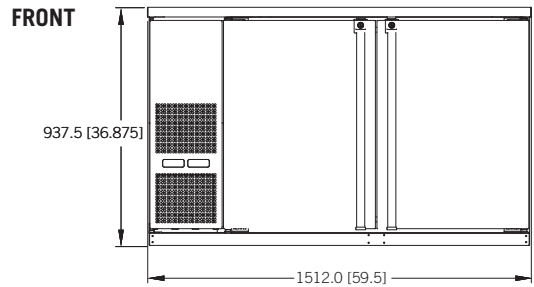
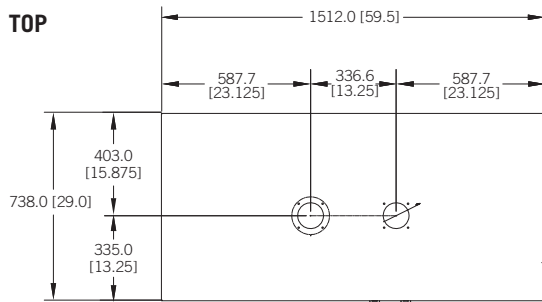
Part No.	Exterior Finish	Door Type	Doors	Shipping Weight
<input type="checkbox"/> MBB58BC-E	Black	Solid	2	144 kg
				318 lbs

Operating Performance

Keg Capacity - Cold Side	6 1/6 slim barrels	Running Amps	3.0
Keg Capacity - Warm Side	2 1/6 slim barrels	Voltage	115/60/1
Color-coded Digital Thermostats	2 (Blue LED-Whites & Red LED-Reds)	Plug Type	NEMA-5-15P
Temperature Range - Cold Side	32-70°F (0 - 21.1°C)	Cord Length	8'
Temperature Range - Warm Side	40-70°F (4.4 - 21.1°C)	Refrigerant	R290
Approval	ETL Listed	Charge oz	4.9
Compressor HP	1/3	Working High/Low Pressure	300 psig / 150 psig

Exterior	18 gauge stainless steel top, 22 gauge solid doors, 24 gauge steel front, sides and back, black vinyl
Interior	20 gauge stainless steel floor and walls
Ventilation	Front ventilated
Plumbing	Automatic condensate evaporator, no drain connection required. Evaporator condensate has been plumbed to a condensate pan located in the compressor housing.
Insulation	Foamed-in-place using high density, CFC-free polyurethane; 2" top, walls and floor
Accessories	Castors or 6" fixed legs (order separately)

Dimensions




Toll-Free: 1-866-327-4159
www.micromatic.com

West
 19791 Bahama St.
 Northridge, CA 91324
 Tel. (818) 701-9765
 Fax. (818) 701-9844

Central
 10726 North Second St.
 Machesney Park, IL 61115
 Tel. (815) 968-7557
 Fax. (815) 968-0363

Southeast
 2386 Simon Ct.
 Brooksville, FL 34604
 Tel. (352) 799-6331
 Fax. (352) 796-2429

Northeast
 4601 Saucon Creek Rd.
 Center Valley, PA 18034
 Tel. (610) 625-4464
 Fax. (610) 625-4466