



Under Counter Cup Cart
Separate and Sort Cups.

Store Separate & Sort.



Store, Separate, and Sort Cups.

The Under Counter Cup Cart organizes and efficiently stores to-go cups in one small footprint. This mobile solution makes the perfect add-on to any order-assembly work station. Under counter space is at a premium and often can be messy and underutilized. Nest this unit under counter to save space in the back-of-house.

The easy order part number includes everything pictured and ships in one box!



Pictured: CR1830CSU

Part #	Description	Nominal D x W x H	
		(in.)	(mm)
CR1830CSU	18x30 Under Counter Cup Cart	18x30x15	457x762x381



Under Counter Cup Cart

Store, Separate, and Sort Cups

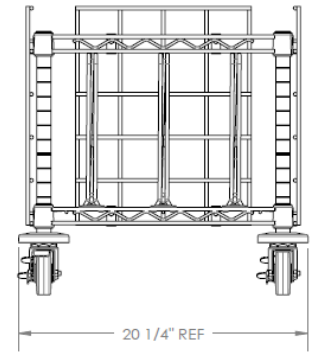
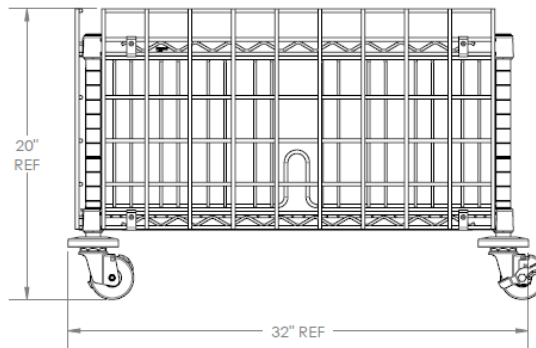
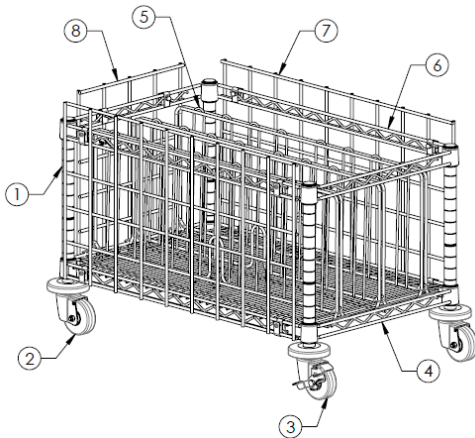
Streamline order assembly with the Metro® Under Counter Cup Cart. The unit comes equipped with three removeable dividers to keep cups of any size organized.

Two swivel casters and two swivel casters with brakes make the unit perfect to transport wherever business calls. Then, engage the brakes on the casters to lock it into place.

Add an Under Counter Cup Cart to any workstation to optimize the areas space.



Part #	Description	Nominal D x W x H (in.) (mm)		Approx. Pkg. Wt. (lbs.)
CR1830CSU	18x30 Under Counter Cup Cart	18x30x15	457x762x381	42.32



CR1830CSU Consists of:

Item #	Qty	Part #	Description
1	4	DD7657D	15" POST
2	2	L3RGY	3" SWIVEL CASTER
3	2	L3RGYB	3" SWIVEL/BRAKE CASTER
4	1	1830NC	18" X 30" CHROME WIRE SHELF
5	3	DD7617	30" SHELF DIVIDER
6	1	DD7654	18" X 30" CHROME 4-SIDED SINGLE SNAKE FRAME
7	2	DD7657A	WG1527C CHROME WIRE GRID
8	1	DD7657B	WG1512C CHROME WIRE GRID

Visit www.metro.com or call 1-800-992-1776.

L11-010 6/20

© 2020 InterMetro Industries Corporation, Wilkes-Barre, PA 18705



We put space to work.®

an Ali Group Company



The Spirit of Excellence