

# HID312, HID525 and HID540 Service Parts

This is the illustrated parts list for Scotsman ice maker-dispenser models HID312, HID525 and HID540.

They are manufactured in 2 voltages, touch-free infrared sensor activated dispensing or button activated dispensing, and there is also a separate wall mount model. Please confirm the complete model number before ordering a part.

Complete models are:

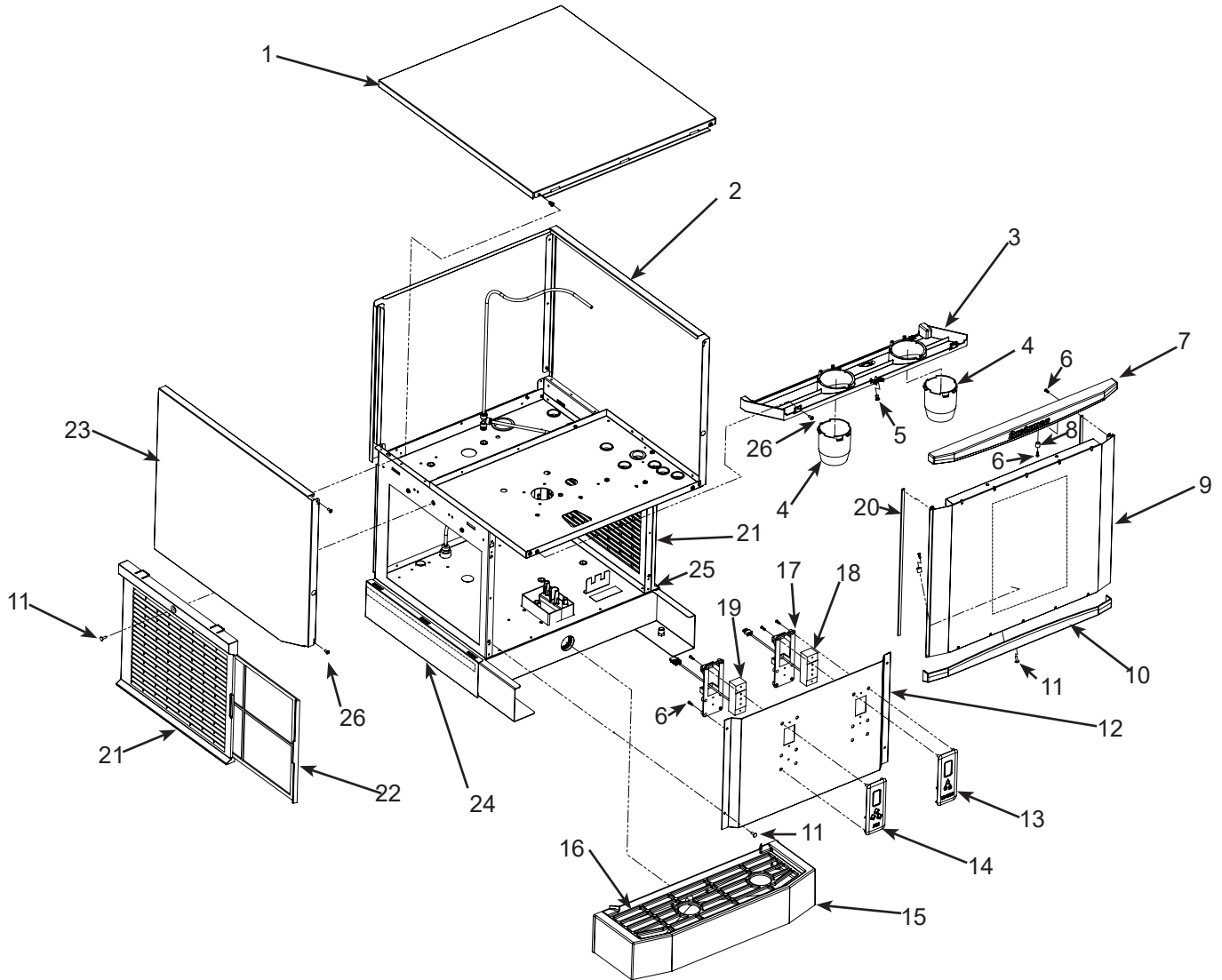
- HID312A-1A, air cooled 115 volt, touch free
- HID312AB-1A, air cooled 115 volt, button
- HID312AW-1A, air cooled, wall mount, 115 volt, touch free
- HID312A-6A, air cooled, 50 Hz, touch free
- HID525A-1A, air cooled, 115 volt, touch free
- HID525AB-1A, air cooled, 115 volt, button
- HID525AW-1A, air cooled, wall mount, 115 volt, touch free
- HID525W-1A, water cooled, 115 volt, touch free
- HID525WB-1A, water cooled, 115 volt, button
- HID525A-6A, air cooled, 50 Hz, touch free
- HID540A-1A, air cooled, 115 volt, touch free
- HID540AB-1A, air cooled, 115 volt, button
- HID540AW-1A, air cooled, wall mount, 115 volt, touch free
- HID540W-1A, water cooled, 115 volt, touch free
- HID540WB-1A, water cooled, 115 volt, button

## Contents

|  |    |
|--|----|
| HID312 Cabinet - Touch Free Dispensing .....       | 2  |
| HID312 Cabinet - Button Activated Dispensing ..... | 3  |
| HID525 Cabinet - Touch Free Dispensing .....       | 4  |
| HID525 Cabinet - Button Activated Dispensing ..... | 5  |
| HID540 Cabinet - Touch Free Dispensing .....       | 6  |
| HID540 Cabinet - Button Activated Dispensing ..... | 7  |
| HID312 Refrigeration - R-134a .....                | 8  |
| HID525 and HID540 Refrigeration - R-404A .....     | 9  |
| HID 312 Dispensing Components .....                | 10 |
| HID525 and HID540 Dispensing Components .....      | 11 |
| Drain Area .....                                   | 12 |
| Water Valves, Tubing, Support Panels .....         | 13 |
| Ice Chute, Sweep and Motor Sensor .....            | 14 |
| Ice Making Components .....                        | 15 |
| Electrical .....                                   | 16 |
| Accessories .....                                  | 17 |
| HID312 Wiring Diagram .....                        | 18 |
| HID312 Schematic Diagram .....                     | 19 |
| HID525 and HID540 Wiring Diagram .....             | 20 |
| HID525 and HID540 Schematic Diagram .....          | 21 |

# HID312, HID525 and HID540 Service Parts

## HID312 Cabinet - Touch Free Dispensing



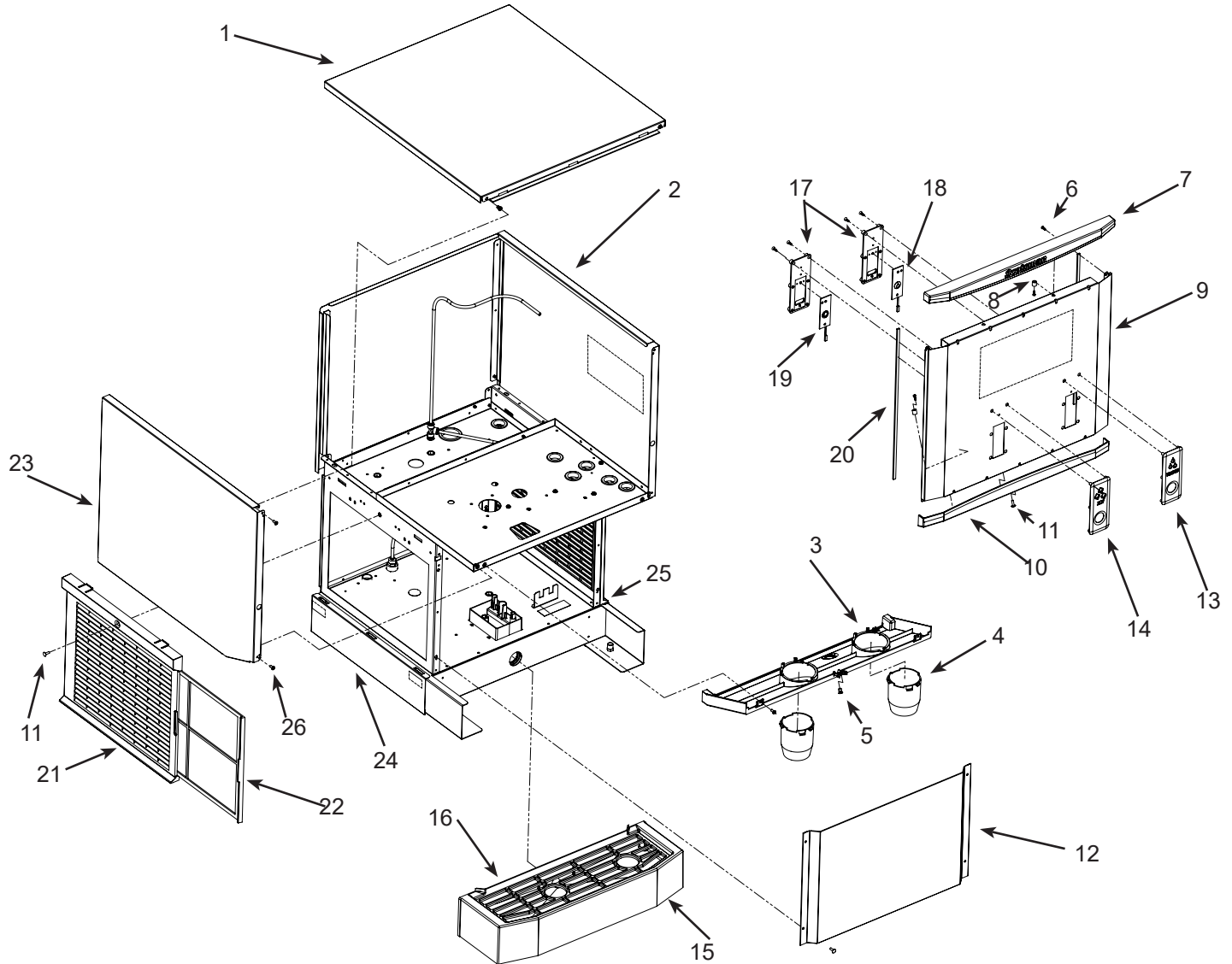
| Item Number | Part Number | Description                   |
|-------------|-------------|-------------------------------|
| 1           | A40225-021  | Top panel                     |
| 2           | A40213-002  | Right side panel              |
| 3           | 02-4800-21  | Holder, disp chutes           |
| 4           | 02-4788-01  | Ice or Water chute            |
| 5           | 03-1642-08  | Insert                        |
| 6           | 03-3836-02  | Screw                         |
| 7           | 02-4798-01  | Top trim strip                |
| 8           | 02-4824-01  | Spacer                        |
| 9           | A40219-021  | Front panel, incl items 7, 10 |
| 10          | 02-4798-02  | Lower trim strip              |
| 11          | 03-3813-02  | Screw                         |
| 12          | A40220-001  | Splash panel                  |
|             | A40266-001  | Splash panel, wall mount only |
| 13          | 02-4825-12  | Cover, water sensor           |
| 14          | 02-4825-11  | Cover, ice sensor             |
| 15          | A40298-001  | Drip tray, for 312            |
| 16          | 02-4778-01  | Grill/cup rest, for 312       |
| 17          | 02-4825-03  | Sensor holder                 |
| 18          | 11-0614-02  | Water disp sensor             |
| 19          | 11-0614-01  | Ice disp sensor               |
| 20          | 19-0503-01  | Gasket, 3 units per side      |
| 21          | 02-4763-01  | Louvered panel                |
| 22          | 02-4762-01  | Air filter                    |
| 23          | A40213-001  | Left side panel               |
| 24          | A40221-002  | Base Side Cover Left          |
| 25          | A40221-001  | Base Side Cover Right         |
| 26          | 03-1403-17  | Screw                         |

**Not Shown:**

A41164-021 - Conversion to push button kit, HID312  
 A40379-016 - Wall mount bracket. Will NOT convert non wall mount models to wall mount.

# HID312, HID525 and HID540 Service Parts

## HID312 Cabinet - Button Activated Dispensing



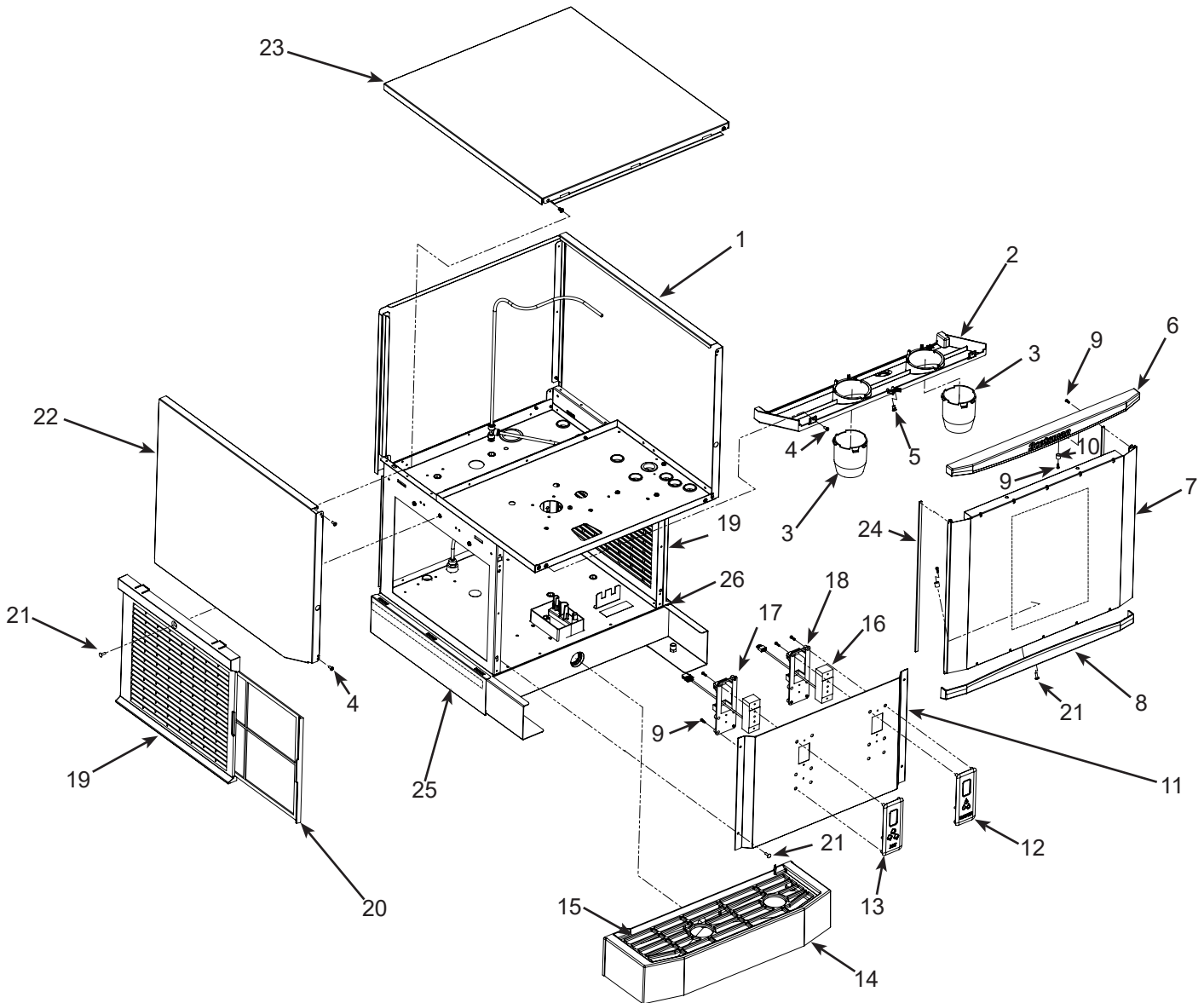
| Item Number | Part Number | Description                   |
|-------------|-------------|-------------------------------|
| 1           | A40225-021  | Top panel                     |
| 2           | A40213-002  | Right side panel              |
| 3           | 02-4800-21  | Holder, disp chutes           |
| 4           | 02-4788-01  | Ice or Water chute            |
| 5           | 03-1642-08  | Insert                        |
| 6           | 03-3836-02  | Screw                         |
| 7           | 02-4798-01  | Top trim strip                |
| 8           | 02-4824-01  | Spacer                        |
| 9           | A40219-024  | Front panel, incl items 7, 10 |
| 10          | 02-4798-02  | Lower trim strip              |
| 11          | 03-3813-02  | Screw                         |
| 12          | A40220-003  | Splash panel                  |
| 13          | 02-5135-02  | Cover, water button           |
| 14          | 02-5135-01  | Cover, ice button             |
| 15          | A40298-001  | Drip tray, for 312            |
| 16          | 02-4778-01  | Grill/cup rest, for 312       |
| 17          | 02-5135-03  | Button holder                 |
| 18          | 11-0639-02  | Water disp button             |
| 19          | 11-0639-01  | Ice disp button               |
| 20          | 19-0503-01  | Gasket, 3 units per side      |
| 21          | 02-4763-01  | Louvered panel                |
| 22          | 02-4762-01  | Air filter                    |
| 23          | A40213-001  | Left side panel               |
| 24          | A40221-002  | Base Side Cover Left          |
| 25          | A40221-001  | Base Side Cover Right         |
| 26          | 03-1403-17  | Screw                         |

**Not Shown:**

A41164-021 - Conversion to push button kit, HID312  
 A40379-016 - Wall mount bracket. Will NOT convert non wall mount models to wall mount.

# HID312, HID525 and HID540 Service Parts

## HID525 Cabinet - Touch Free Dispensing



| Item Number | Part Number | Description                     |
|-------------|-------------|---------------------------------|
| 1           | A40213-002  | Right side panel                |
| 2           | 02-4801-21  | Chute holder                    |
| 3           | 02-4788-01  | Dispense chute, water or ice    |
| 4           | 03-1403-17  | Screw                           |
| 5           | 03-1642-08  | Insert                          |
| 6           | 02-4799-01  | Top trim strip                  |
| 7           | A40219-022  | Front panel, includes item 6, 8 |
| 8           | 02-4799-02  | Bottom trim strip               |
| 9           | 03-3836-02  | Screw                           |
| 10          | 02-4824-01  | Spacer                          |
| 11          | A40220-002  | Splash panel                    |
| 12          | 02-4825-12  | Cover, water sensor             |
| 13          | 02-4825-11  | Cover, ice sensor               |
| 14          | A40298-002  | Drip tray                       |

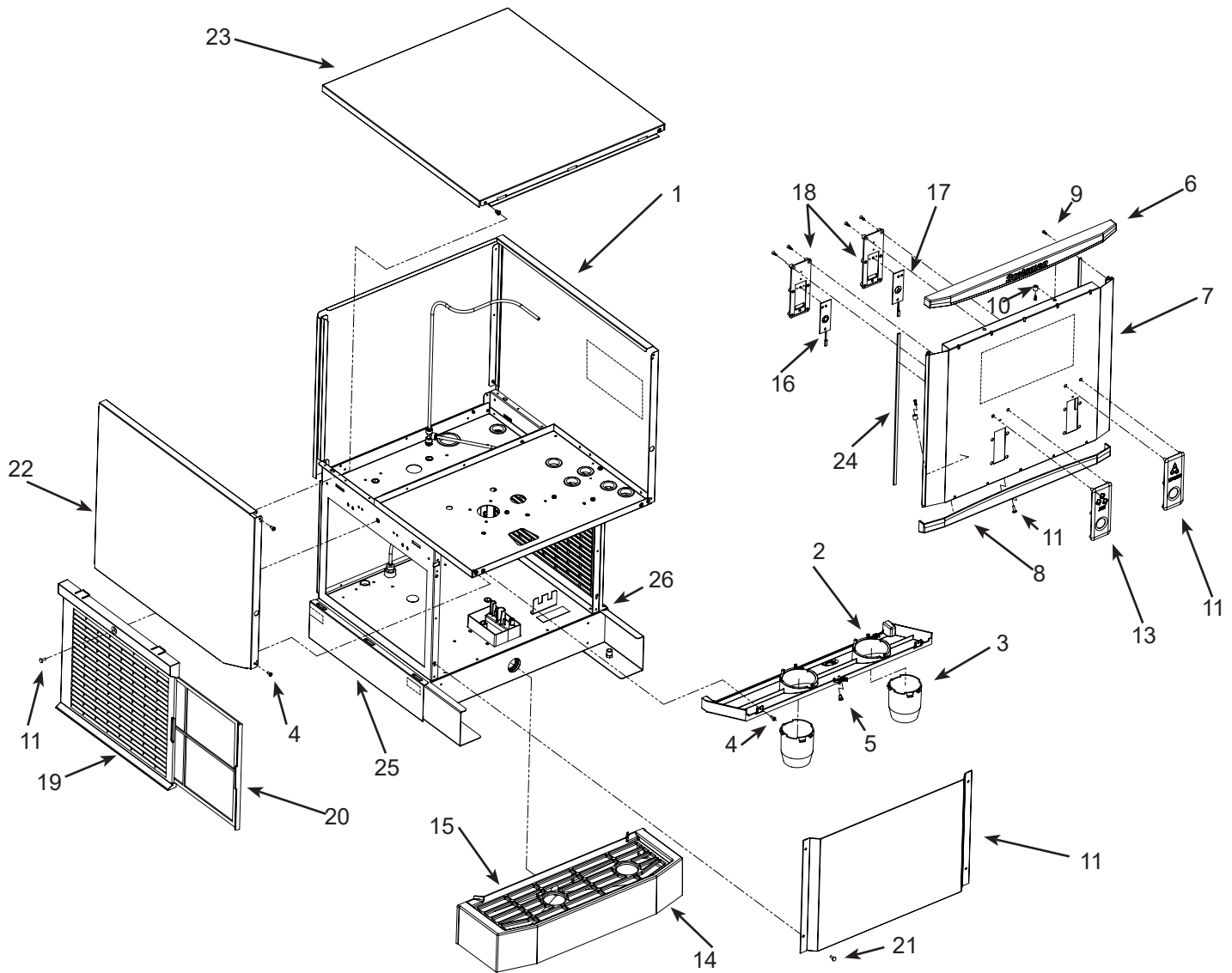
|    |            |                          |
|----|------------|--------------------------|
| 15 | 02-4779-01 | Grill/cup rest           |
| 16 | 11-0614-02 | Water disp sensor        |
| 17 | 11-0614-01 | Ice disp sensor          |
| 18 | 02-4825-03 | Sensor holder            |
| 19 | 02-4763-01 | Louvered panel           |
| 20 | 02-4762-01 | Air filter               |
| 21 | 03-3813-02 | Screw                    |
| 22 | A40213-001 | Left side panel          |
| 23 | A40225-022 | Top panel                |
| 24 | 19-0503-01 | Gasket, 3 units per side |
| 25 | A40221-002 | Base Side Cover Left     |
| 26 | A40221-001 | Base Side Cover Right    |

### Not Shown:

A41164-022 - Conversion to push button kit, HID525  
 A40379-021 - Wall mount bracket. Will NOT convert non wall mount models to wall mount.

# HID312, HID525 and HID540 Service Parts

## HID525 Cabinet - Button Activated Dispensing



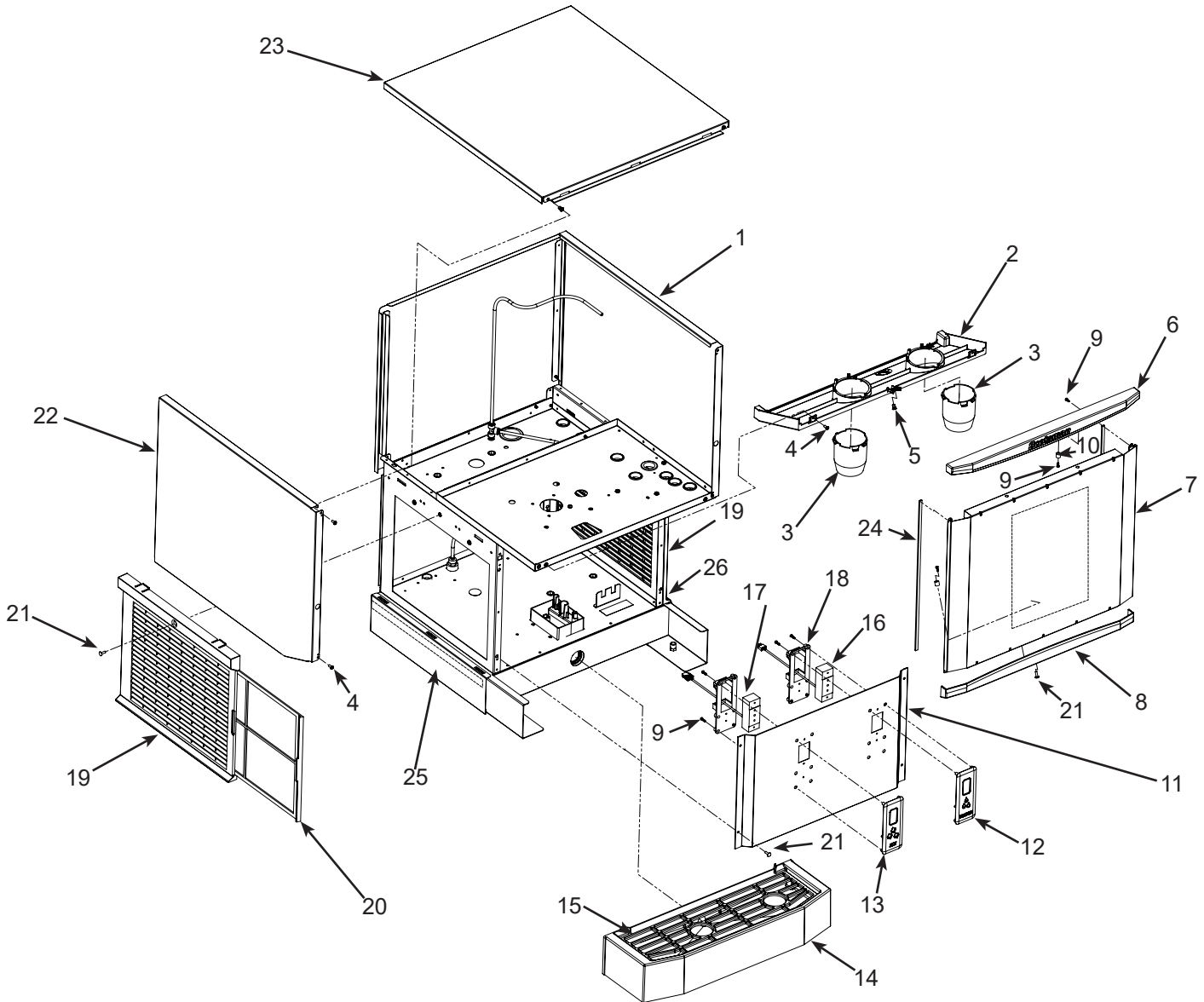
| Item Number | Part Number | Description                     |
|-------------|-------------|---------------------------------|
| 1           | A40213-002  | Right side panel                |
| 2           | 02-4801-21  | Chute holder                    |
| 3           | 02-4788-01  | Dispense chute, water or ice    |
| 4           | 03-1403-17  | Screw                           |
| 5           | 03-1642-08  | Insert                          |
| 6           | 02-4799-01  | Top trim strip                  |
| 7           | A40219-025  | Front panel, includes item 6, 8 |
| 8           | 02-4799-02  | Bottom trim strip               |
| 9           | 03-3836-02  | Screw                           |
| 10          | 02-4824-01  | Spacer                          |
| 11          | A40220-004  | Splash panel                    |
| 12          | 02-5135-02  | Cover, water button             |
| 13          | 02-5135-01  | Cover, ice button               |
| 14          | A40298-002  | Drip tray                       |
| 15          | 02-4779-01  | Grill/cup rest                  |
| 16          | 11-0639-02  | Water disp button               |
| 17          | 11-0639-01  | Ice disp button                 |
| 18          | 02-5135-03  | Button holder                   |
| 19          | 02-4763-01  | Louvered panel                  |
| 20          | 02-4762-01  | Air filter                      |
| 21          | 03-3813-02  | Screw                           |
| 22          | A40213-001  | Left side panel                 |
| 23          | A40225-022  | Top panel                       |
| 24          | 19-0503-01  | Gasket, 3 units per side        |
| 25          | A40221-002  | Base Side Cover Left            |
| 26          | A40221-001  | Base Side Cover Right           |

**Not Shown:**

A41164-022 - Conversion to push button kit, HID525  
 A40379-021 - Wall mount bracket. Will NOT convert non wall mount models to wall mount.

# HID312, HID525 and HID540 Service Parts

## HID540 Cabinet - Touch Free Dispensing



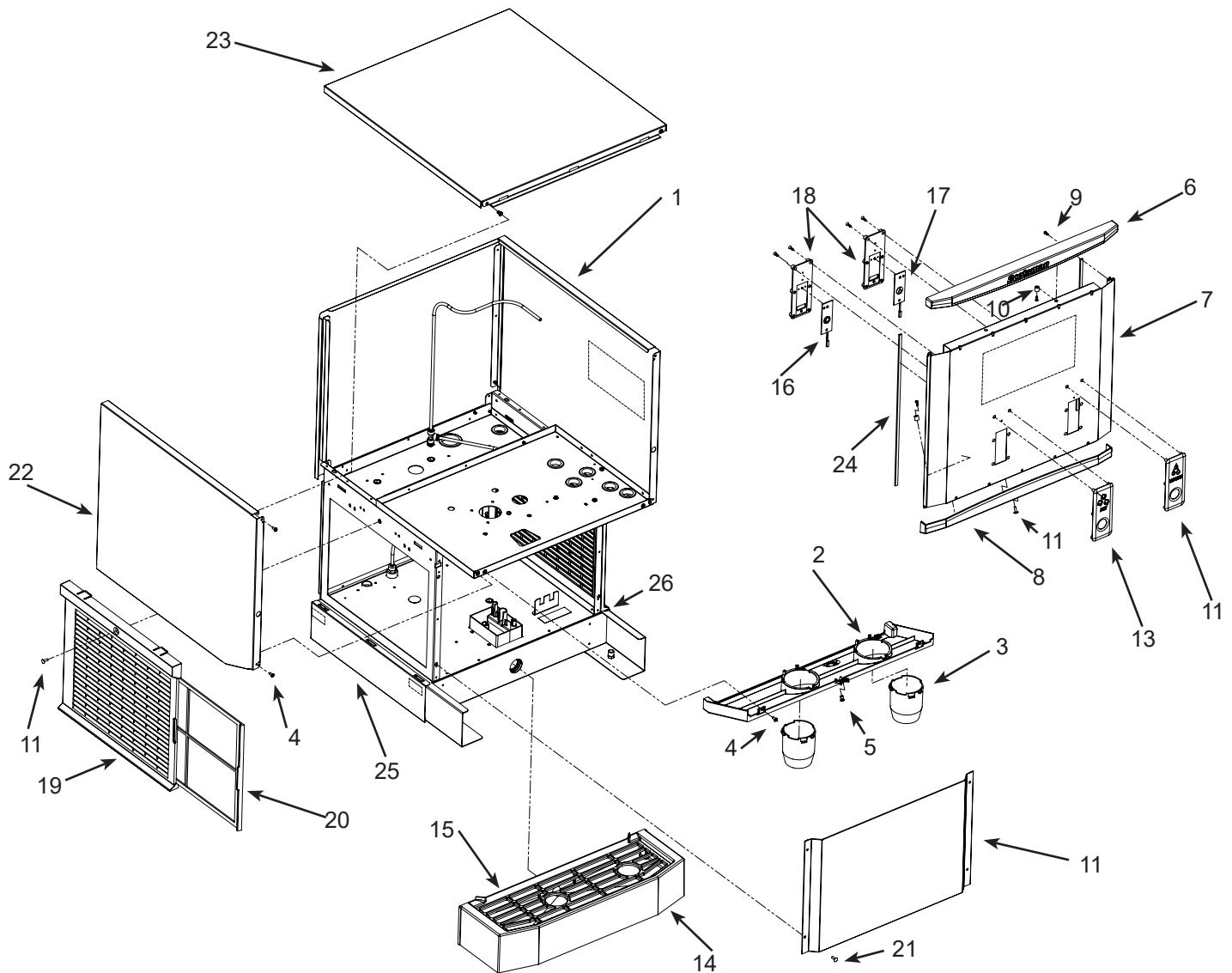
| Item Number | Part Number | Description                     |
|-------------|-------------|---------------------------------|
| 1           | A40214-002  | Right side panel                |
| 2           | 02-4801-21  | Chute holder                    |
| 3           | 02-4788-01  | Dispense chute, water or ice    |
| 4           | 03-1403-17  | Screw                           |
| 5           | 03-1642-08  | Insert                          |
| 6           | 02-4799-01  | Top trim strip                  |
| 7           | A40219-023  | Front panel, includes item 6, 8 |
| 8           | 02-4799-02  | Bottom trim strip               |
| 9           | 03-3836-02  | Screw                           |
| 10          | 02-4824-01  | Spacer                          |
| 11          | A40220-002  | Splash panel                    |
|             | A40266-002  | Splash panel, wall mount only   |
| 12          | 02-4825-12  | Cover, water sensor             |
| 13          | 02-4825-11  | Cover, ice sensor               |
| 14          | A40298-002  | Drip tray                       |
| 15          | 02-4779-01  | Grill/cup rest                  |
| 16          | 11-0614-02  | Water disp sensor               |
| 17          | 11-0614-01  | Ice disp sensor                 |
| 18          | 02-4825-03  | Sensor holder                   |
| 19          | 02-4763-01  | Louvered panel                  |
| 20          | 02-4762-01  | Air filter                      |
| 21          | 03-3813-02  | Screw                           |
| 22          | A40214-001  | Left side panel                 |
| 23          | A40225-022  | Top panel                       |
| 24          | 19-0503-01  | Gasket, 3 Units Per Side        |
| 25          | A40221-002  | Base Side Cover Left            |
| 26          | A40221-001  | Base Side Cover Right           |

Not Shown:  
A41164-023 - Conversion to push button kit, HID540  
A40379-021 - Wall mount bracket. Will NOT convert non wall mount models to wall mount.



# HID312, HID525 and HID540 Service Parts

## HID540 Cabinet - Button Activated Dispensing

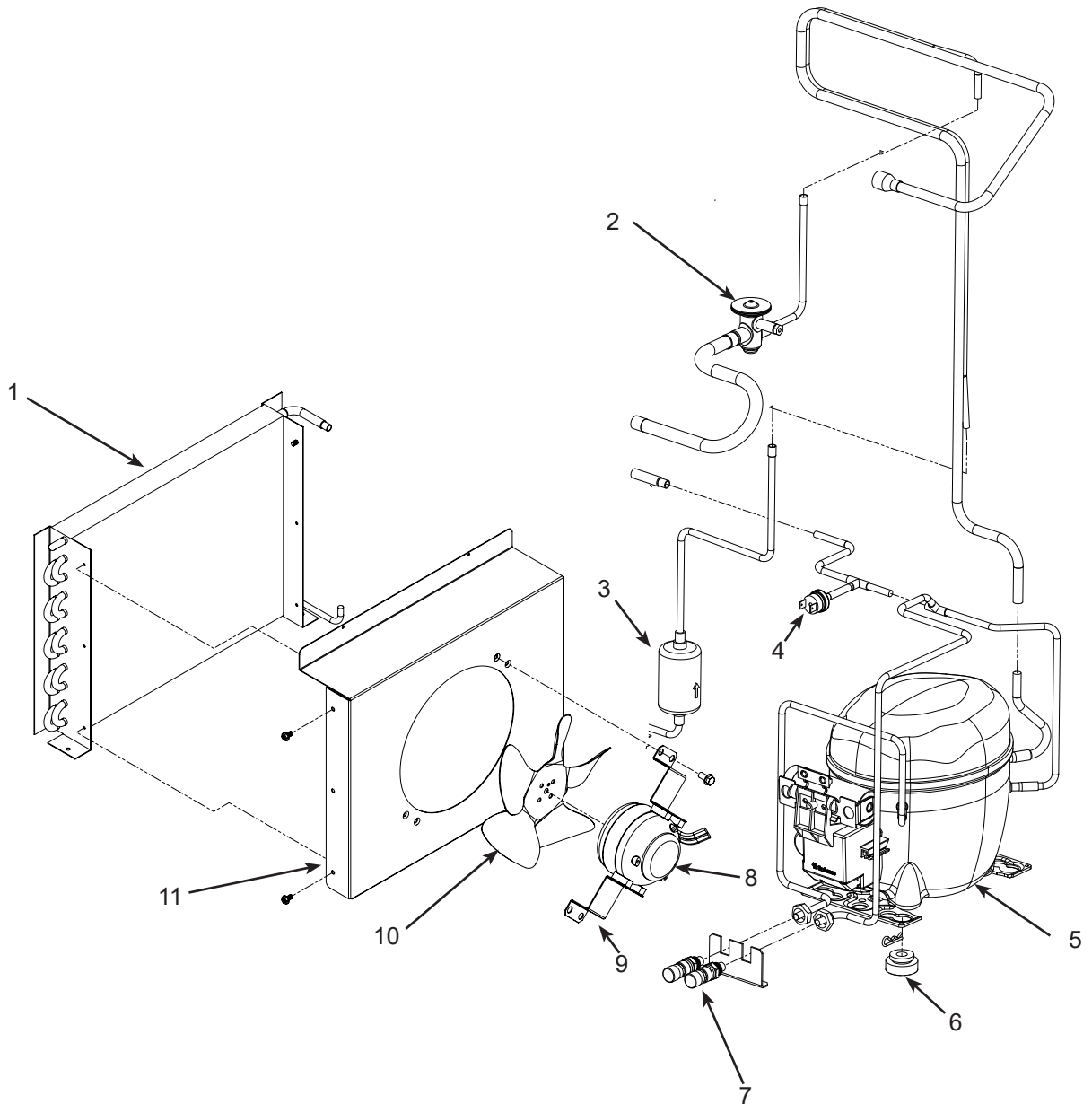


| Item Number | Part Number | Description                     |
|-------------|-------------|---------------------------------|
| 1           | A40214-002  | Right side panel                |
| 2           | 02-4801-21  | Chute holder                    |
| 3           | 02-4788-01  | Dispense chute, water or ice    |
| 4           | 03-1403-17  | Screw                           |
| 5           | 03-1642-08  | Insert                          |
| 6           | 02-4799-01  | Top trim strip                  |
| 7           | A40219-026  | Front panel, includes item 6, 8 |
| 8           | 02-4799-02  | Bottom trim strip               |
| 9           | 03-3836-02  | Screw                           |
| 10          | 02-4824-01  | Spacer                          |
| 11          | A40220-004  | Splash panel                    |
| 12          | 02-5135-02  | Cover, water button             |
| 13          | 02-5135-01  | Cover, ice button               |
| 14          | A40298-002  | Drip tray                       |
| 15          | 02-4779-01  | Grill/cup rest                  |
| 16          | 11-0639-02  | Water disp button               |
| 17          | 11-0639-01  | Ice disp button                 |
| 18          | 02-5135-03  | Button holder                   |
| 19          | 02-4763-01  | Louvered panel                  |
| 20          | 02-4762-01  | Air filter                      |
| 21          | 03-3813-02  | Screw                           |
| 22          | A40214-001  | Left side panel                 |
| 23          | A40225-022  | Top panel                       |
| 24          | 19-0503-01  | Gasket, 3 Units Per Side        |
| 25          | A40221-002  | Base Side Cover Left            |
| 26          | A40221-001  | Base Side Cover Right           |

Not Shown:  
A41164-023 - Conversion to push button kit, HID540  
A40379-021 - Wall mount bracket. Will NOT convert non wall mount models to wall mount.

# HID312, HID525 and HID540 Service Parts

## HID312 Refrigeration - R-134a



| Item Number | Part Number | Description               |
|-------------|-------------|---------------------------|
| 1           | 18-8966-01  | Condenser                 |
| 2           | 16-1214-01  | TXV                       |
| 3           | 02-3319-01  | Dryer                     |
| 4           | 11-0501-24  | High pressure cut out     |
| 5           | 18-8957-21  | Compressor, 115 volt      |
|             | 18-8957-26  | Compressor, 50 Hz         |
|             | 18-8957-51  | Start relay, 115 volt     |
|             | 18-8957-61  | Start relay, 50 Hz        |
|             | 18-8957-52  | Start capacitor, 115 volt |
|             | 18-8957-62  | Start capacitor, 50 Hz    |
|             | 18-8957-53  | Overload, 115 volt        |
|             | 18-8957-63  | Overload, 50 Hz           |

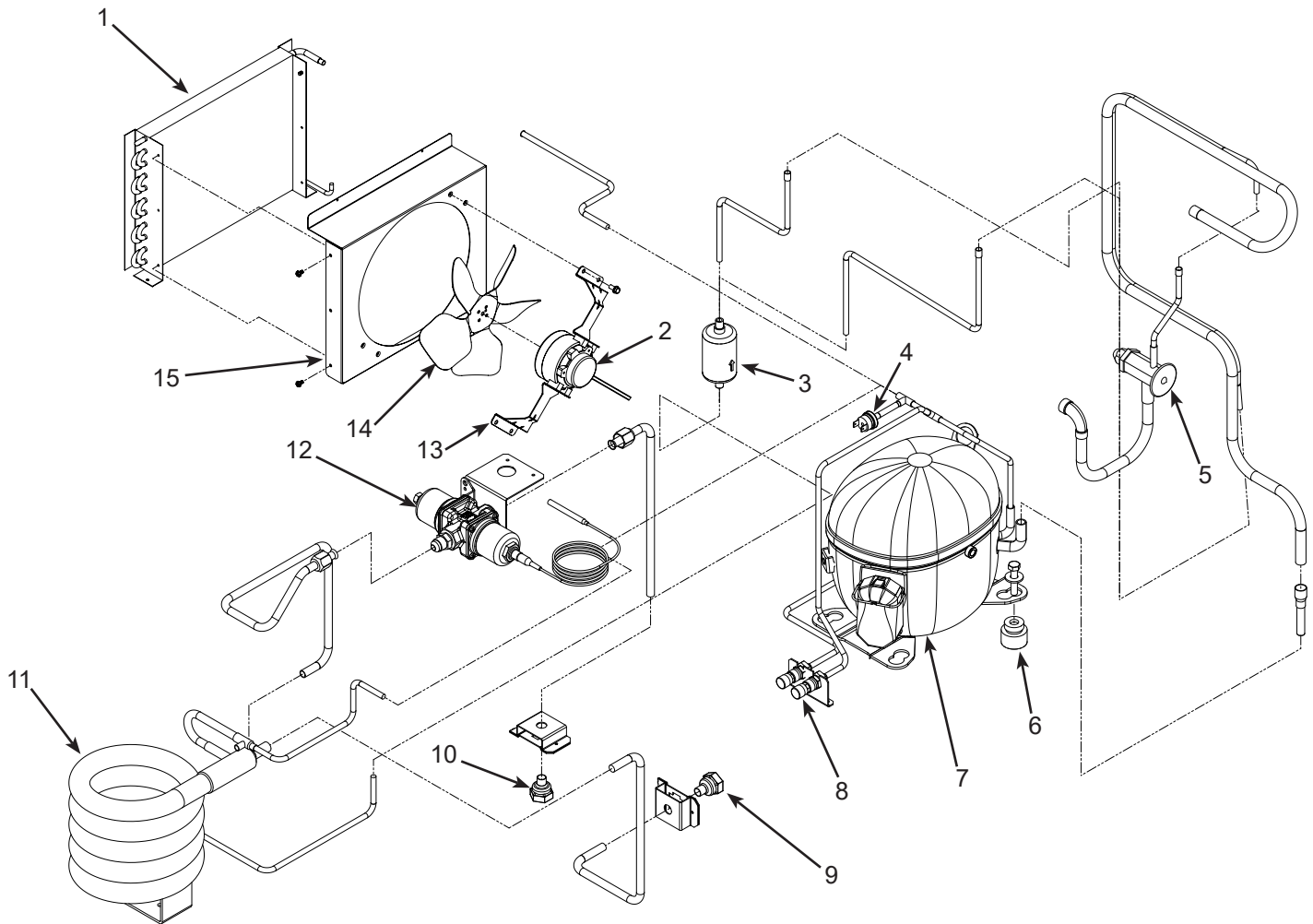
|    |            |                     |
|----|------------|---------------------|
| 6  | 18-8964-01 | Grommets            |
|    | 03-1407-08 | Sleeve              |
| 7  | 16-1138-01 | Valve body          |
|    | 16-1139-01 | Valve core          |
|    | 16-1140-01 | Valve cap           |
| 8  | 12-2989-01 | Fan motor, 115 volt |
|    | 12-2989-02 | Fan motor, 50 Hz    |
| 9  | A40323-001 | Motor bracket       |
| 10 | 18-8941-01 | Fan blade           |
| 11 | A40322-001 | Fan shroud          |

All compressors listed here include their starting components.



# HID312, HID525 and HID540 Service Parts

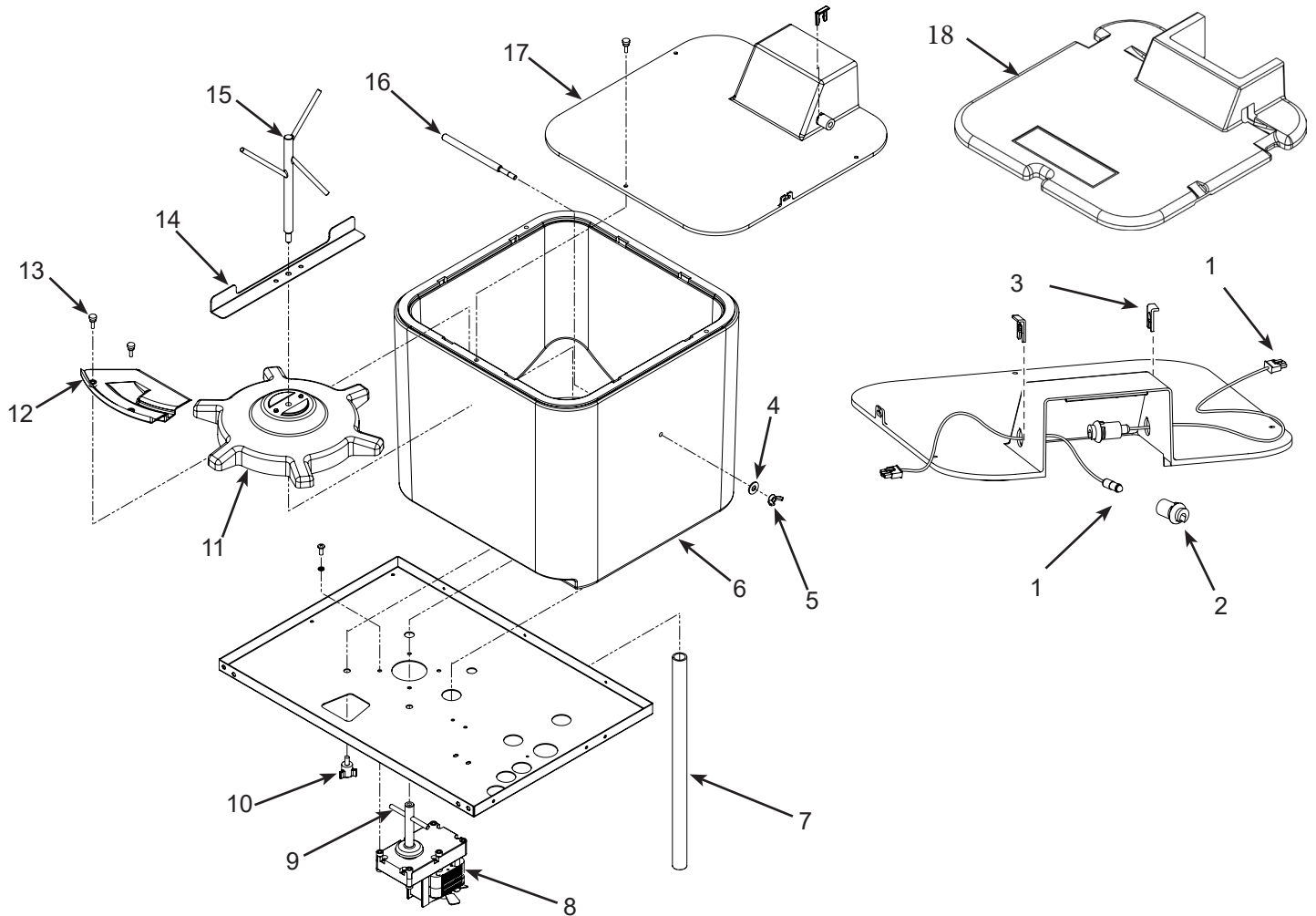
## HID525 and HID540 Refrigeration - R-404A



| Item Number | Part Number | Description                |
|-------------|-------------|----------------------------|
| 1           | 18-8966-01  | Condenser, air cooled      |
| 2           | 18-8971-01  | Fan motor, 115 volt        |
|             | 18-8899-01  | Fan motor, 50 Hz           |
| 3           | 02-3319-01  | Dryer                      |
| 4           | 11-0501-02  | High pressure cut out      |
| 5           | 16-1144-02  | TXV                        |
| 6           | 18-2200-27  | Sleeve                     |
|             | 18-2200-28  | Grommet                    |
| 7           | 18-8948-21  | Compressor, 115/60         |
|             | 18-8948-50  | Overload for 115 v comp    |
|             | 18-8948-22  | Compressor, 50 Hz          |
|             | 18-8948-51  | Overload for 50 Hz comp    |
|             | 12-3008-01  | Terminal Adaptor for 50 Hz |
| 8           | 16-1138-01  | Valve body                 |
|             | 16-1139-01  | Valve core                 |
|             | 16-1140-01  | Valve cap                  |
| 9           | 16-1154-22  | Fitting, wc only           |
| 10          | 16-1154-23  | Fitting                    |
| 11          | 18-8871-01  | Condenser, water cooled    |
| 12          | 11-0608-21  | Water regulating valve     |
| 13          | A40254-001  | Motor bracket              |
| 14          | 18-8859-01  | Fan blade                  |
| 15          | A40217-001  | Fan shroud                 |

# HID312, HID525 and HID540 Service Parts

## HID 312 Dispensing Components

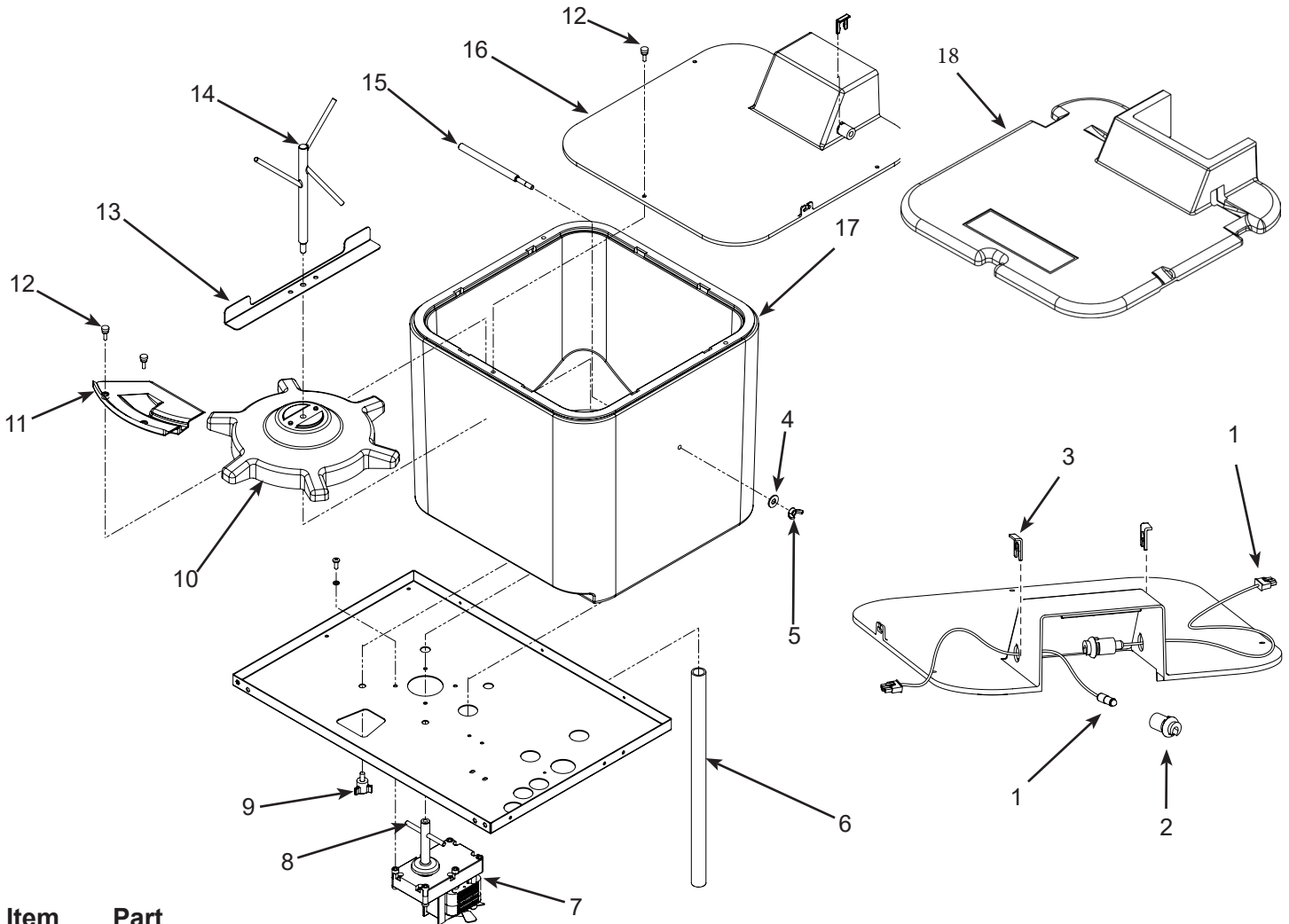


| Item Number | Part Number | Description                           |
|-------------|-------------|---------------------------------------|
| 1           | 12-3094-01  | Photo eye sensor set                  |
| 2           | 13-0964-01  | Sensor grommet                        |
| 3           | 02-4381-03  | Clip                                  |
| 4           | 03-1407-06  | Washer                                |
| 5           | 03-0255-00  | Wing nut                              |
| 6           | A40306-001  | Storage bin, with insulation. For 312 |
| 7           | 02-4794-01  | Drain hose, for 312                   |
| 8           | 12-3084-01  | Drive motor, 115 volt                 |
|             | 12-3084-02  | Drive motor, 230/50 Hz                |
| 9           | 02-4774-01  | Drive pin                             |
| 10          | 03-1675-02  | Bin fastener                          |
| 11          | 02-4770-01  | Dispense rotor, for 312               |
| 12          | 02-4772-01  | Chute cover, for 312                  |
| 13          | 03-0727-05  | Thumb screw                           |
| 14          | A40229-001  | Agitator bar, for 312                 |
| 15          | 02-4789-01  | Agitator                              |
| 16          | 02-4829-01  | Ice rod, for 312                      |

|    |            |  |
|----|------------|--|
| 17 | 02-4784-01 | Bin cover, for 312                     |
| 18 | 02-4998-01 | Insulation for bin cover added 04-2018 |

# HID312, HID525 and HID540 Service Parts

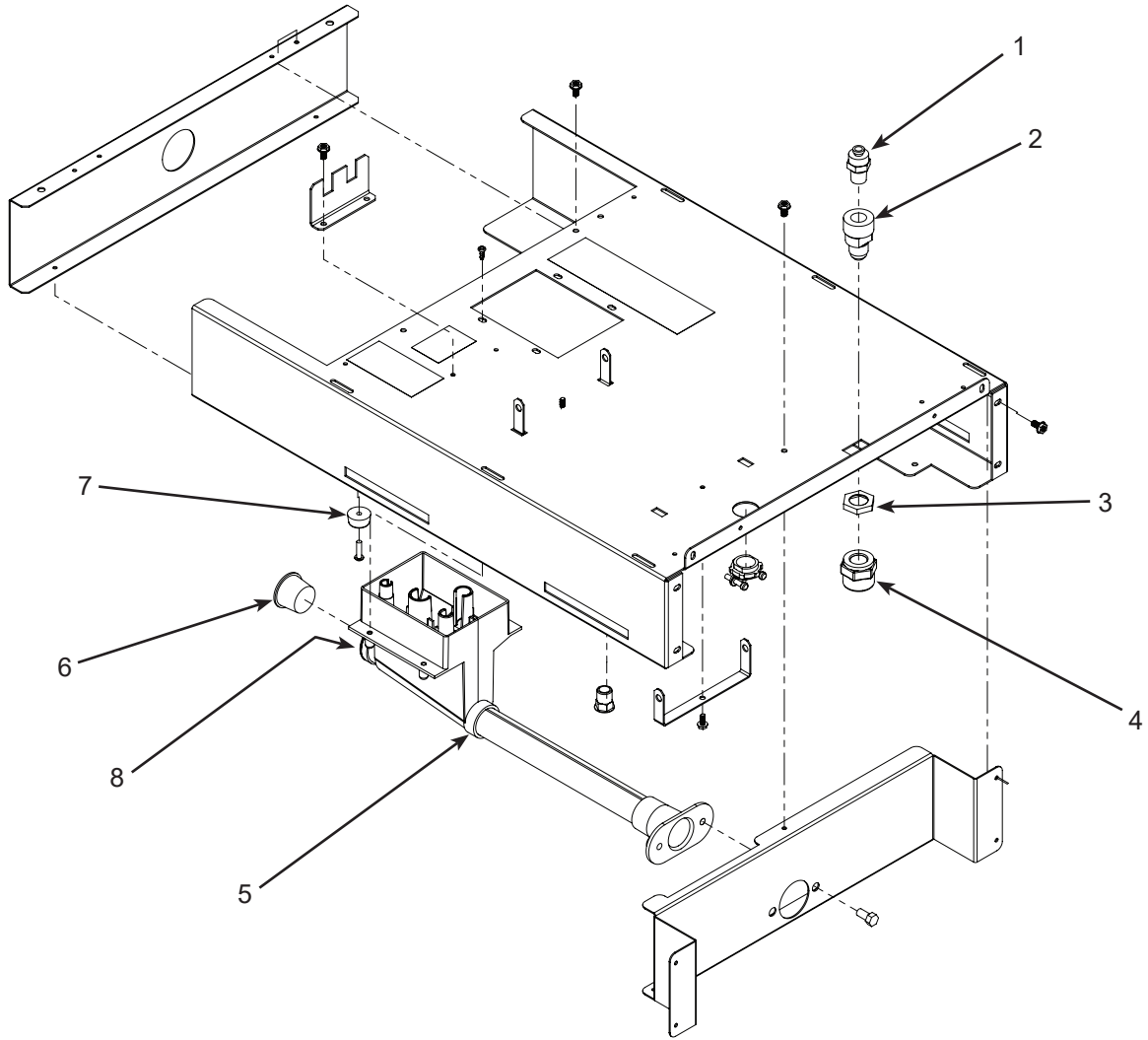
## HID525 and HID540 Dispensing Components



| Item Number | Part Number | Description                            |
|-------------|-------------|--|
| 1           | 12-3094-01  | Photo eye sensor set                   |
| 2           | 13-0964-01  | Sensor grommet                         |
| 3           | 02-4381-03  | Clip                                   |
| 4           | 03-1407-06  | Washer                                 |
| 5           | 03-0255-00  | Wing nut                               |
| 6           | 02-4833-01  | Drain hose, for 525 or 540             |
| 7           | 12-3084-01  | Drive motor, 115 volt                  |
|             | 12-3084-02  | Drive motor, 230/50 Hz                 |
| 8           | 02-4774-01  | Drive pin                              |
| 9           | 03-1675-02  | Bin fastener                           |
| 10          | 02-4771-01  | Dispense rotor, for 525 or 540         |
| 11          | 02-4773-01  | Chute cover, for 525 or 540            |
| 12          | 03-0727-05  | Thumb screw                            |
| 13          | A40229-002  | Agitator bar, for 525 or 540           |
| 14          | 02-4789-01  | Agitator                               |
| 15          | 02-4829-02  | Ice bar, for 525 or 540                |
| 16          | 02-4785-01  | Storage bin cover, for 525 or 540      |
| 17          | A40306-002  | Storage bin with insulation for HID525 |
|             | A40306-003  | Storage bin with insulation for HID540 |
| 18          | 02-4998-02  | Insulation for bin cover added 04-2018 |

# HID312, HID525 and HID540 Service Parts

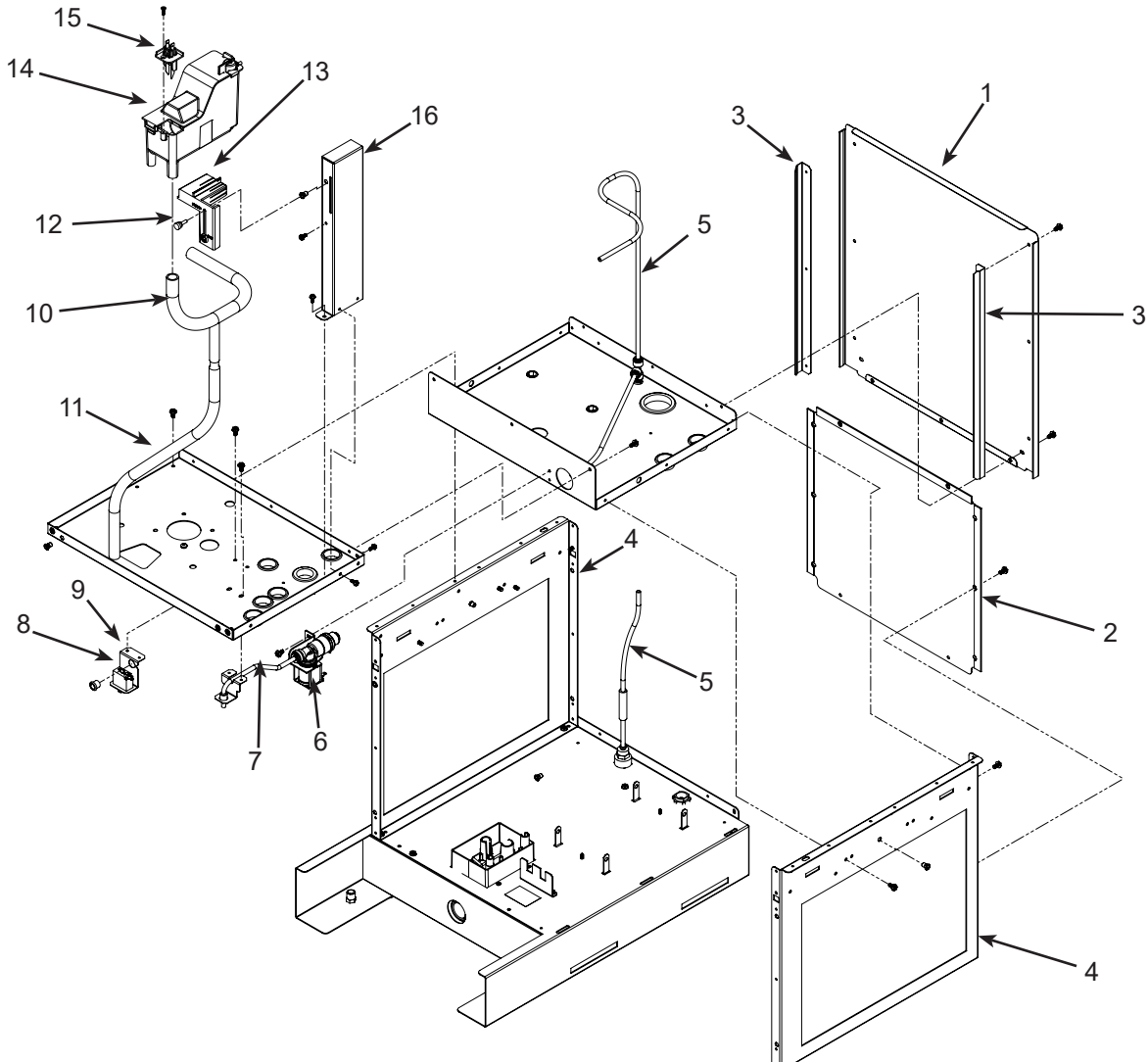
## Drain Area



| Item Number | Part Number | Description   |
|-------------|-------------|---|
| 1           | 16-1039-01  | Male connector  |
| 2           | 16-0835-01  | Fitting   |
| 3           | 03-1394-01  | Pal nut   |
| 4           | 16-1150-01  | Water inlet fitting, 50 Hz only. Provides male 3/4 gas BNF threads. |
| 5           | 02-4832-01  | Drain assembly  |
| 6           | 13-0562-10  | Plug, used on wall mount models                                     |
| 7           | 03-3940-01  | Plastic grommet   |
| 8           | 13-0617-29  | O-ring  |

# HID312, HID525 and HID540 Service Parts

## Water Valves, Tubing, Support Panels

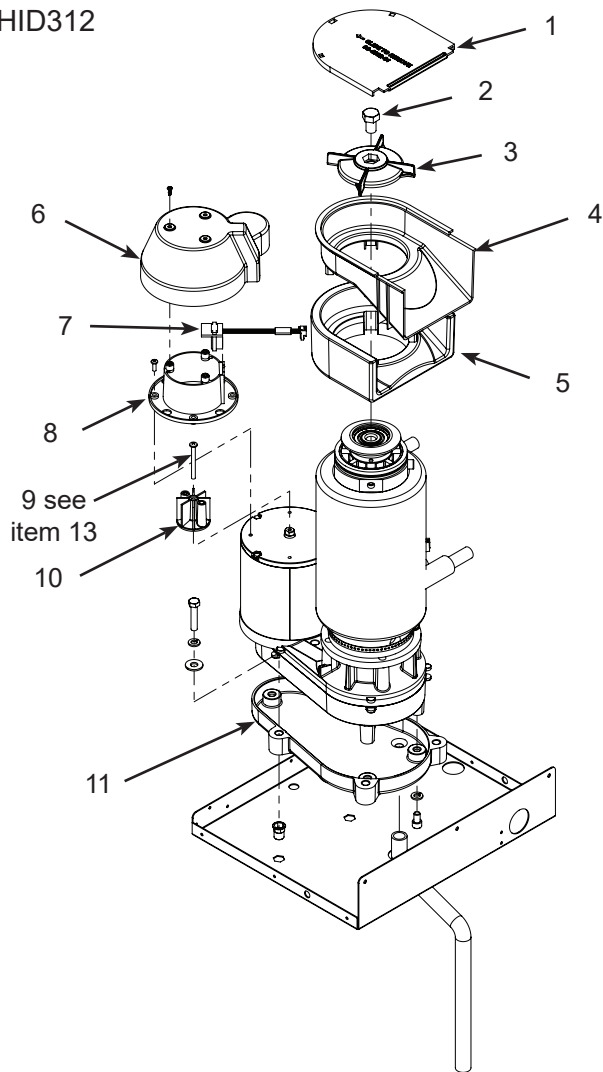


| Item Number | Part Number | Description                     |
|-------------|-------------|---------------------------------|
| 1           | A40215-001  | Upper back panel, for 312       |
|             | A40216-001  | Upper back panel, for 525       |
|             | A40216-002  | Upper back panel, for 540       |
| 2           | A40305-001  | Bottom back panel, for 312      |
|             | A40305-002  | Bottom back panel, for 525, 540 |
| 3           | A40246-001  | Panel guide, for 312 or 525     |
|             | A40246-002  | Panel guide, for 540            |
| 4           | A40210-001  | Support frame                   |
| 5           | 13-0895-01  | Water tubing, order 5 units     |
| 6           | 12-3088-01  | Water solenoid valve, 115 volt  |
|             | 12-3088-02  | Water solenoid valve, 50 Hz     |
| 7           | A40257-001  | Water tube, for 312             |
|             | A40257-002  | Water tube, for 525 or 540      |
| 8           | 12-2501-01  | Switch, vend disable            |
| 9           | A40247-001  | Bracket                         |
| 10          | 02-4792-01  | Evap water inlet, for 312       |
|             | 02-4793-01  | Evap water inlet, for 525, 540  |
| 11          | 02-4795-01  | Drain tube, for 312, 525        |
|             | 02-4795-02  | Drain tube, for 540             |
| 12          | 03-0727-05  | Thumb screw                     |
| 13          | 02-4759-01  | Reservoir bracket               |
| 14          | A40664-001  | Reservoir                       |
| 14a         | 02-2217-02  | Float valve, part of 14         |
| 15          | A39790-001  | Water sensor                    |
| 16          | A40230-001  | Reservoir post, for 312, 525    |
|             | A40230-002  | Reservoir post, for 540         |

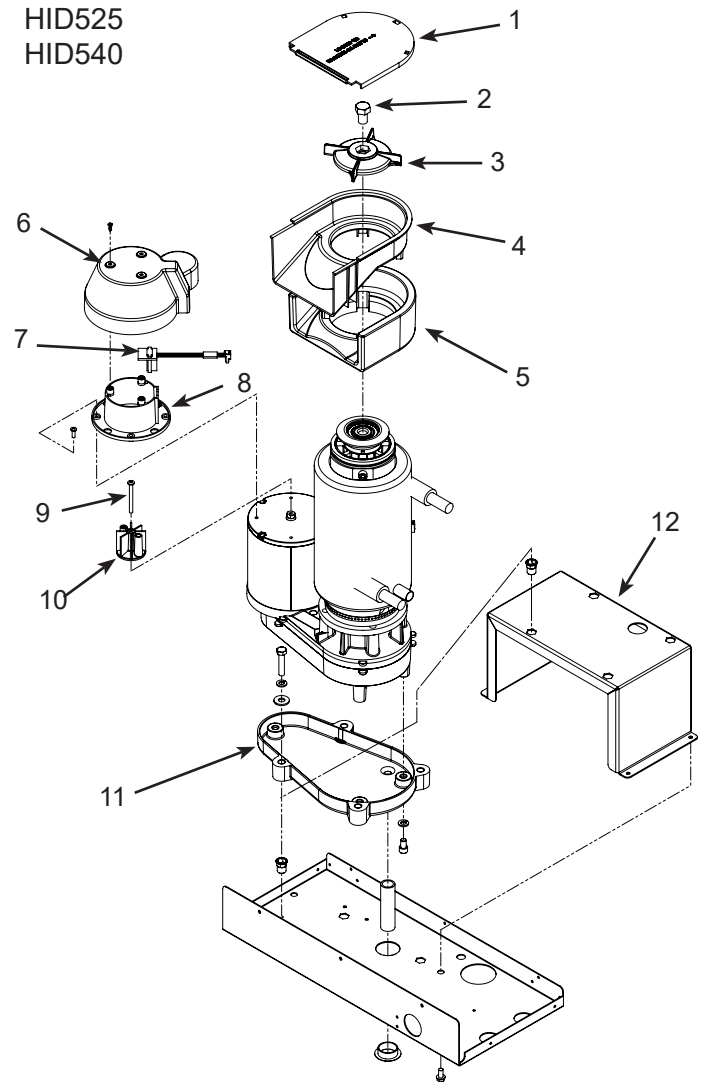
# HID312, HID525 and HID540 Service Parts

## Ice Chute, Sweep and Motor Sensor

HID312



HID525  
HID540



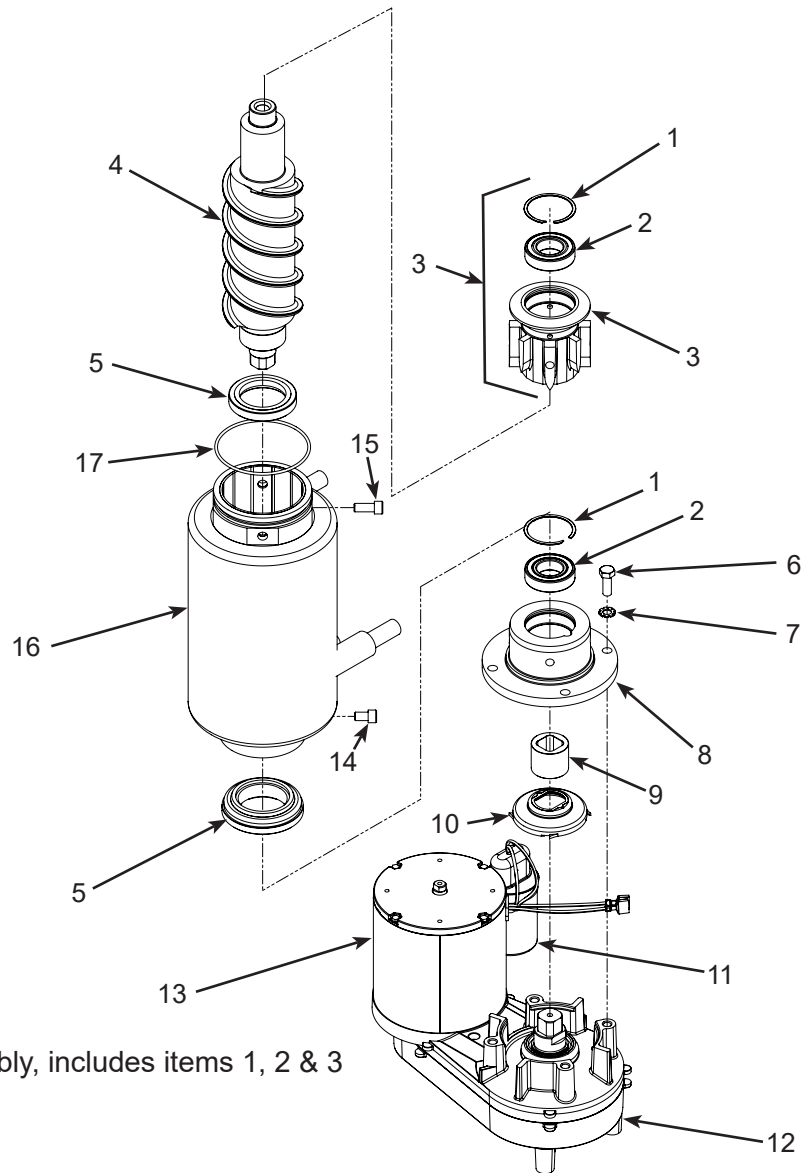
| Item Number | Part Number | Description   |
|-------------|-------------|---|
| 1           | 02-4802-01  | Cover   |
| 2           | 03-1405-52  | Hex bolt  |
| 3           | 02-4745-01  | Ice sweep   |
| 4           | 02-4760-01  | Chute   |
| 5           | 02-4761-01  | Insulation item 4   |
| 6           | 02-4797-01  | Motor cover   |
| 7           | 12-3089-01  | Rotation sensor   |
| 8           | 02-4791-01  | Holder, rotation sensor                                     |
| 9           | 03-1403-70  | Screw, magnet holder to motor                               |
| 10          | 02-4791-02  | Magnet holder   |
| 11          | 02-4804-01  | Condensate pan  |
| 12          | A40255-001  | Support bracket, 540 only                                   |
| 13          | 02-4873-01  | Wrench to hold motor shaft when removing item 9 (see note*) |

\*A cordless impact driver can be used to removed or tightened the #9 retaining screw. #13 is an optional thin wrench to hold motor shaft.



# HID312, HID525 and HID540 Service Parts

## Ice Making Components



| Item Number | Part Number | Description                                |
|-------------|-------------|--|
| 1           | 03-3953-01  | Retaining ring                             |
| 2           | 02-4843-23  | Bearing                                    |
| 3           | A40173-001  | Extruder assembly, includes items 1, 2 & 3 |
| 4           | 02-4840-21  | Auger                                      |
| 5           | 02-0929-23  | Water seal                                 |
| 6           | 03-1405-38  | Cap screw                                  |
| 7           | 03-1417-13  | Lockwasher                                 |
| 8           | A40174-001  | Adapter, includes items 1, 2 and 8         |
| 9           | 02-4838-01  | Coupling                                   |
| 10          | 02-4786-01  | Water shed                                 |
| 11          | 12-3083-24  | Capacitor, 115 volt models                 |
|             | 12-3083-25  | Capacitor, 50 Hz models                    |
| 12          | 12-3083-21  | Gear reducer complete, for 115 volt models |
|             | 12-3083-22  | Gear reducer complete, for 50 Hz models    |
| 12a         | 12-3083-23  | Gear reducer, no motor                     |
| 13          | 12-3083-31  | Auger drive motor, for 115 volt models     |
|             | 12-3083-32  | Auger drive motor, for 50 Hz models        |
| 14          | 03-1544-09  | Socket hd cap screw, 1/2 inch long         |
| 15          | 03-1544-08  | Socket hd cap screw, 3/4 inch long         |
| 16          | 02-4758-21  | Evaporator                                 |
| 17          | 13-0617-52  | O-ring                                     |

Note: Bearings and water seal should be replaced as a set. Do not substitute non-OEM bearings. Do not lubricate bearings. Bearings may be pushed out of their retainer.

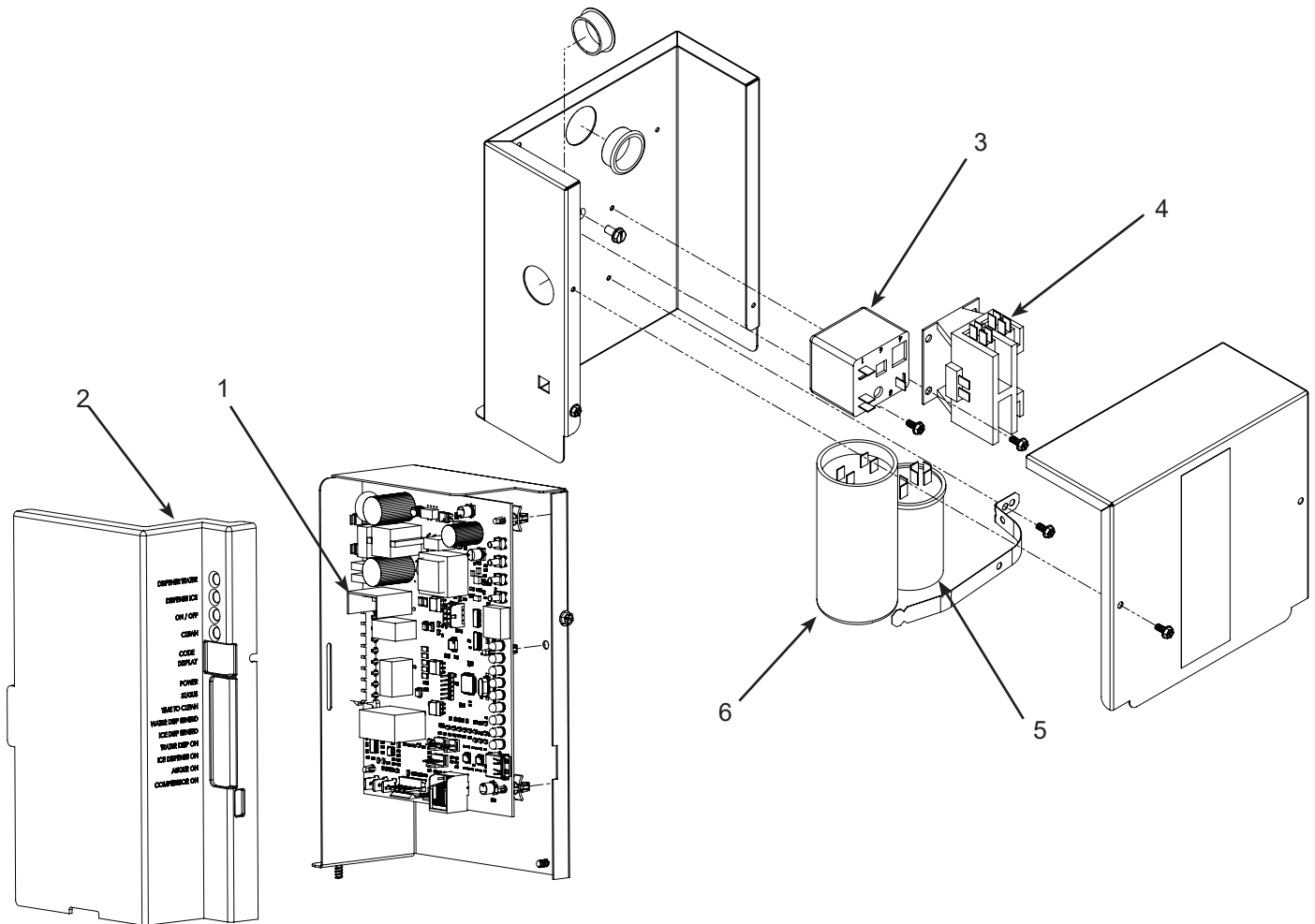
Remove extruder first to remove auger. Attach ice sweep to lift auger.

Auger motor note: Motor shipped attached to gear reducer cover. Cover not intended for replacement, used only for shipment. Remove motor from cover and discard cover.

12a ships with separate 11 oz oil charge.

# HID312, HID525 and HID540 Service Parts

## Electrical



| Item Number | Part Number  | Description                                   |
|-------------|--|---|
| 1           | 11-0612-51   | Controller                                    |
| 1a          | Fuse - 8 amp fast acting 5 mm ceramic ROHS (Possible source: Littelfuse P/N 0216008.MXP) |   |
| 2           | 02-4830-01   | Cover   |
| 3           | 18-1903-44   | Potential relay, for 525, 540 115 volt        |
|             | 18-1903-54   | Potential relay, for 525, 540 50 Hz           |
| 4           | 12-2469-03   | Contactor, 115 volt                           |
|             | 12-2469-02   | Contactor, for 50 Hz models                   |
| 5           | 18-1902-64   | Run capacitor, for 525, 540 115 volt models   |
|             | 18-1902-65   | Run capacitor, for 525, 540 50 Hz models      |
| 6           | 18-1901-65   | Start capacitor, for 525, 540 115 volt models |
|             | 18-1901-66   | Start capacitor, for 525, 540 50 Hz models    |

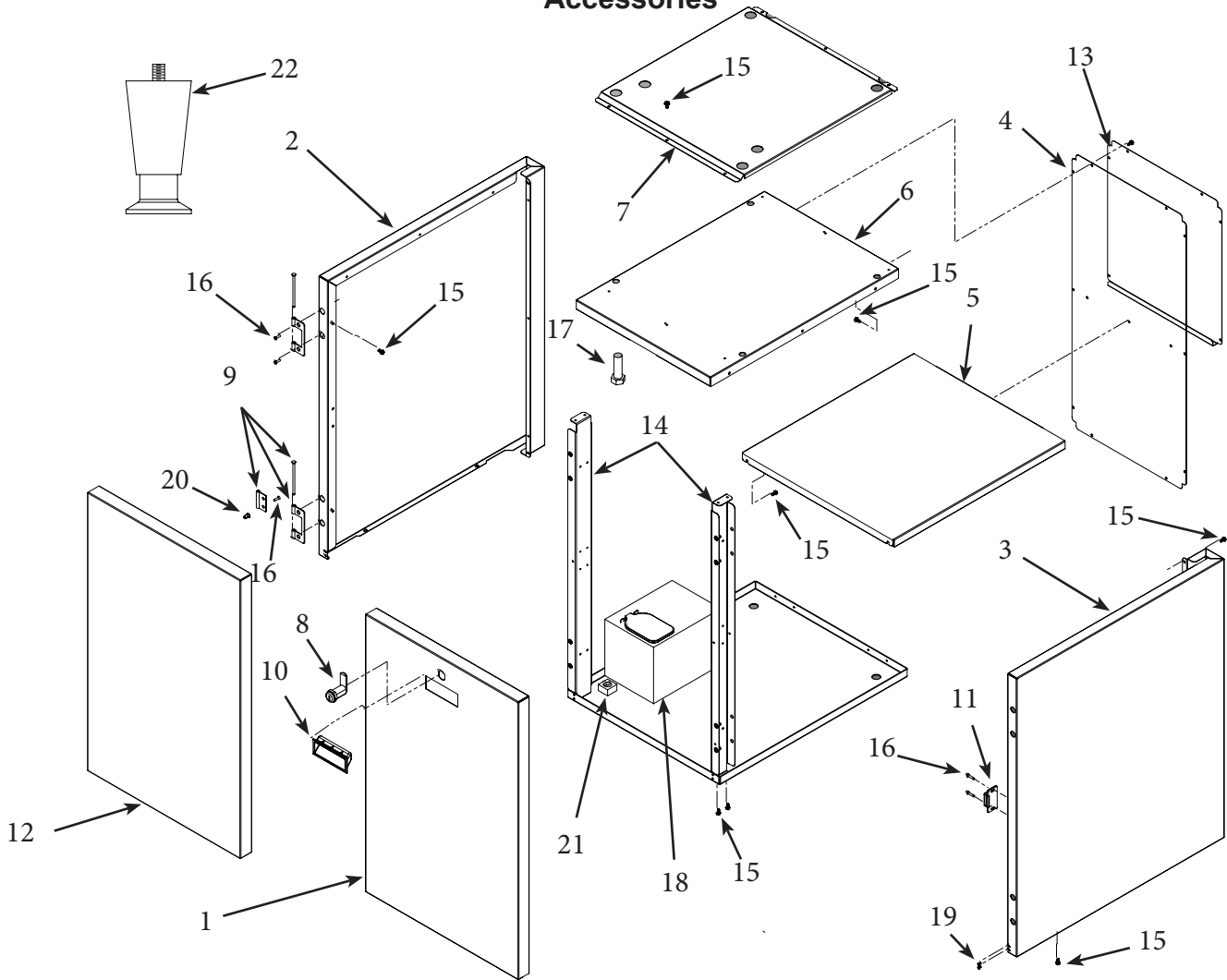
### Harnesses

|            |   |
|------------|---|
| 12-1638-27 | Power cord, 115 volt                                      |
| 12-1638-28 | Power cord, 50 Hz   |
| 12-3090-01 | High voltage harness                                      |
| 12-3091-01 | Disable sw harness  |
| 12-3092-01 | Sensor harness, dispense (Touch free sensor models only)  |
| 12-3164-01 | Button harness, control board side (Button models only)   |
| 12-3164-02 | Button harness, membrane switch side (Button models only) |
| 12-3094-02 | Bin full & WLS harness                                    |

September 2020

# HID312, HID525 and HID540 Service Parts

## Accessories

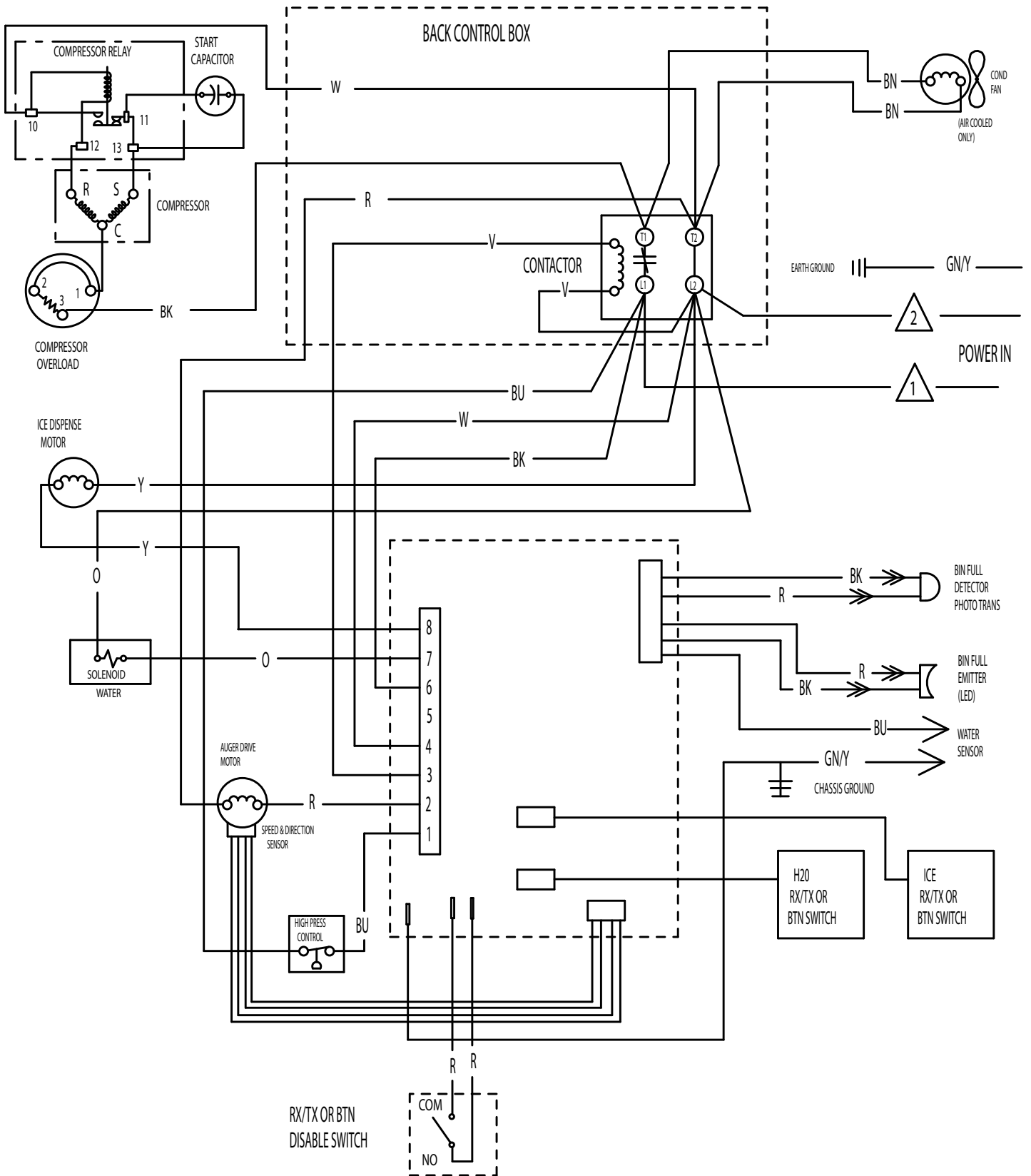


| tem Number | Part Number | Description                |
|------------|-------------|----------------------------|
| 1          | A40347-021  | HST16 Door                 |
| 2          | A40345-001  | HST16 & HST21 Left Panel   |
| 3          | A40345-002  | HST16 & HST21 Right Panel  |
| 4          | A40351-001  | HST16 Back Panel           |
| 5          | A40352-001  | HST16 Shelf                |
| 6          | A40346-001  | HST16 Top Panel            |
| 7          | A40350-001  | HST16 Machine Support      |
| 1          | A40347-022  | HST21 Door                 |
| 4          | A40351-002  | HST21 Back Panel           |
| 5          | A40352-002  | HST21 Shelf                |
| 6          | A40346-002  | HST21 Top Panel            |
| 7          | A40350-002  | HST21 Machine Support      |
| 8          | 03-3955-01  | Lock and two keys          |
| 9          | 03-3954-01  | Hinge Complete             |
| 10         | 02-4441-01  | Door Handle                |
| 11         | 03-3956-01  | Magnetic Catch             |
| 12         | A40458-001  | HST16B Front Panel         |
| 2          | A40345-001  | HST16B & HST21B Left Panel |

| tem Number | Part Number | Description                      |
|------------|-------------|----------------------------------|
| 3          | A40345-002  | HST16B & HST21B Right Panel      |
| 13         | A40459-001  | HST16B Back Panel                |
| 6          | A40346-001  | HST16B Top Panel                 |
| 7          | A40350-001  | HST16B Machine Support           |
| 12         | A40458-002  | HST21B Front Panel               |
| 13         | A40459-002  | HST21B Back Panel                |
| 6          | A40346-002  | HST21B Top Panel                 |
| 7          | A40350-002  | HST21B Machine Support           |
| 14         | A40349-001  | Corner Support                   |
| 15         | 03-3943-01  | Screw #8 X 3/8"                  |
| 16         | 03-1418-03  | Screw, #6 X 5/8"                 |
| 17         | 03-1405-53  | Hex Bolt 5/8-11 X 2              |
| 18         | KLP7        | 6" Legs for Sand (set of 4)      |
| 19         | No Number   | 1/8 Rivet                        |
| 20         | No Number   | Rivetnut (Special tool required) |
| 21         | 03-1674-01  | Square Nut 5/8-11                |
| 22         | KLP24A      | 4" Legs for unit (set of 4)kit   |

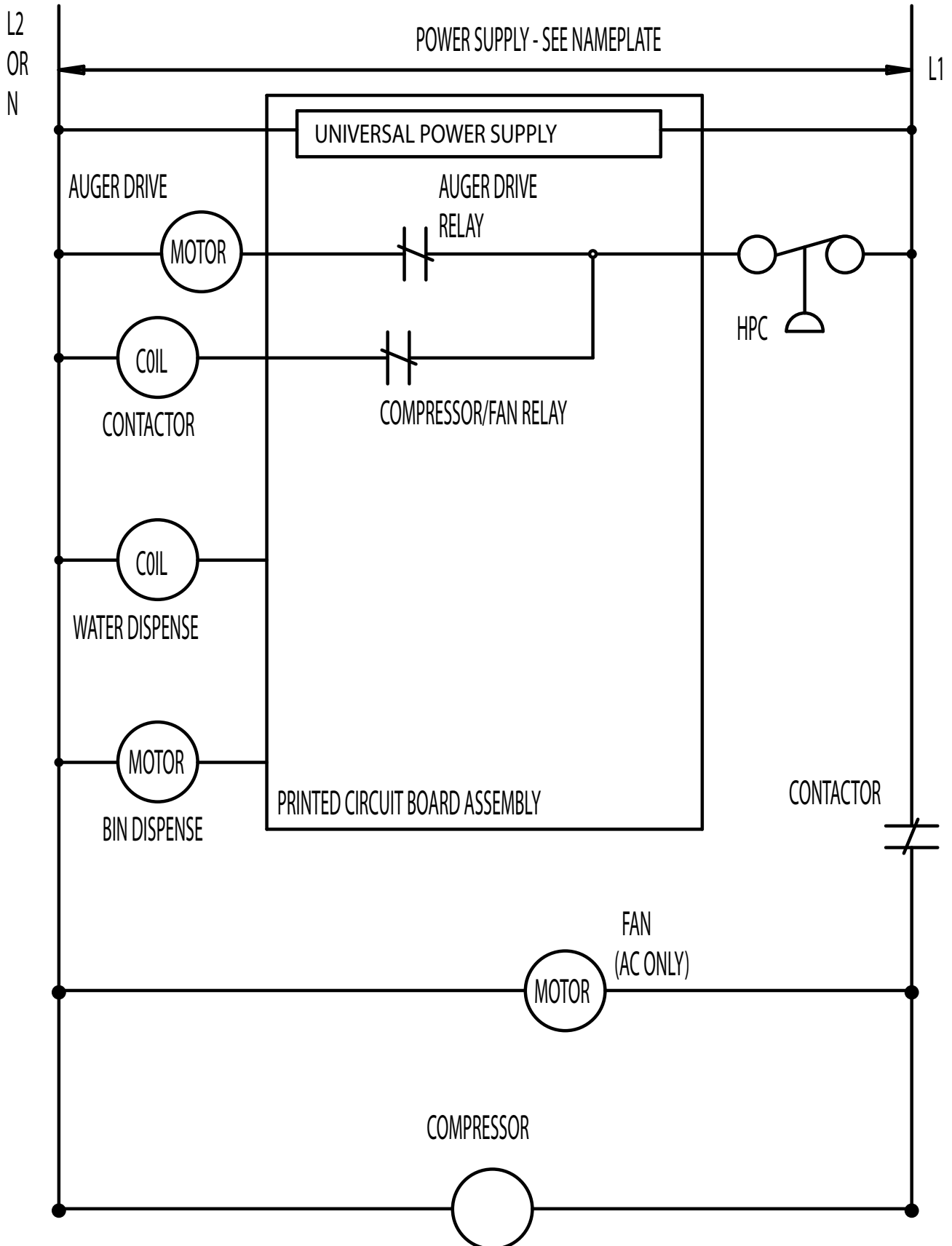
# HID312, HID525 and HID540 Service Parts

## HID312 Wiring Diagram



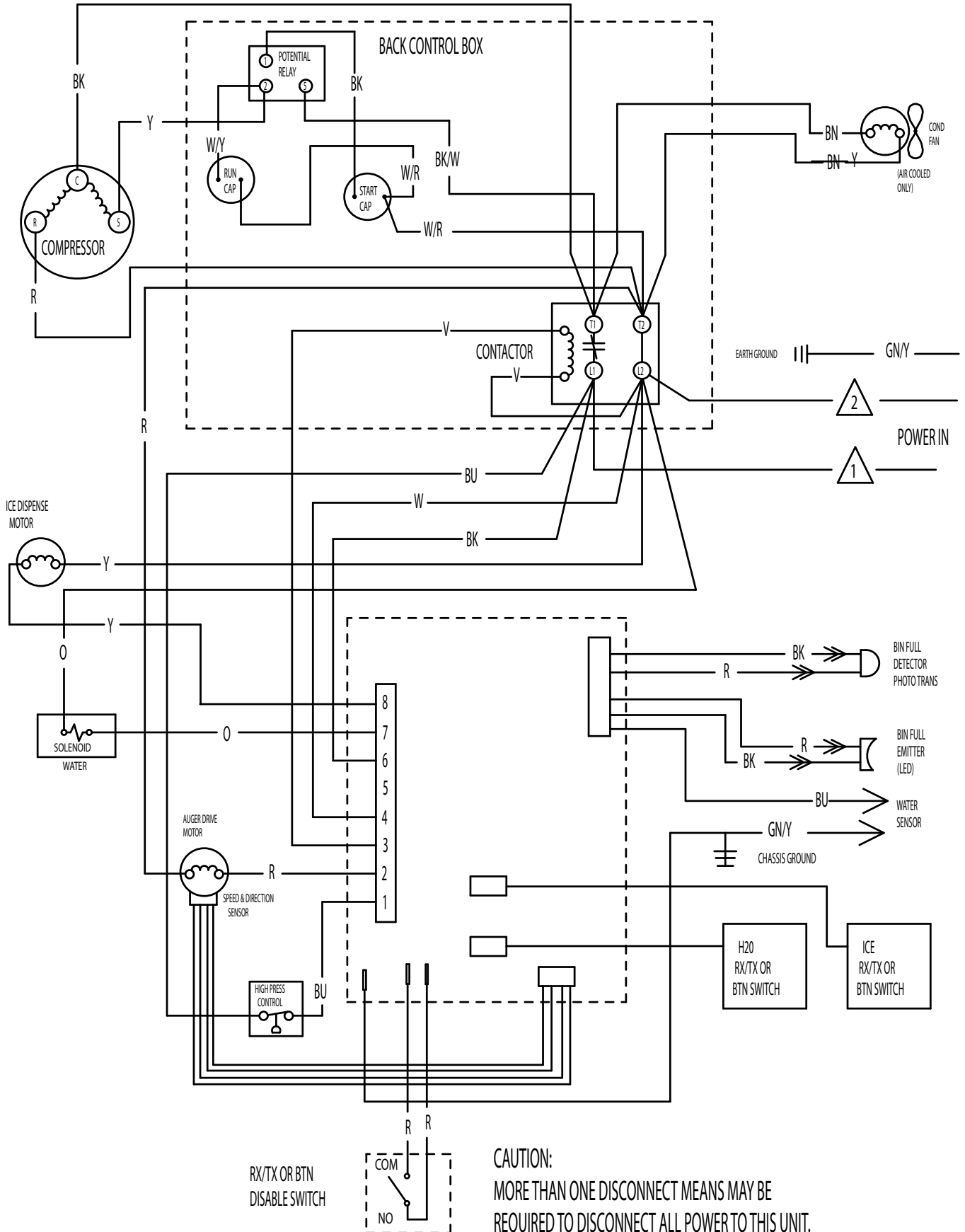
# HID312, HID525 and HID540 Service Parts

## HID312 Schematic Diagram



# HID312, HID525 and HID540 Service Parts

## HID525 and HID540 Wiring Diagram



**CAUTION:**  
MORE THAN ONE DISCONNECT MEANS MAY BE  
REQUIRED TO DISCONNECT ALL POWER TO THIS UNIT.

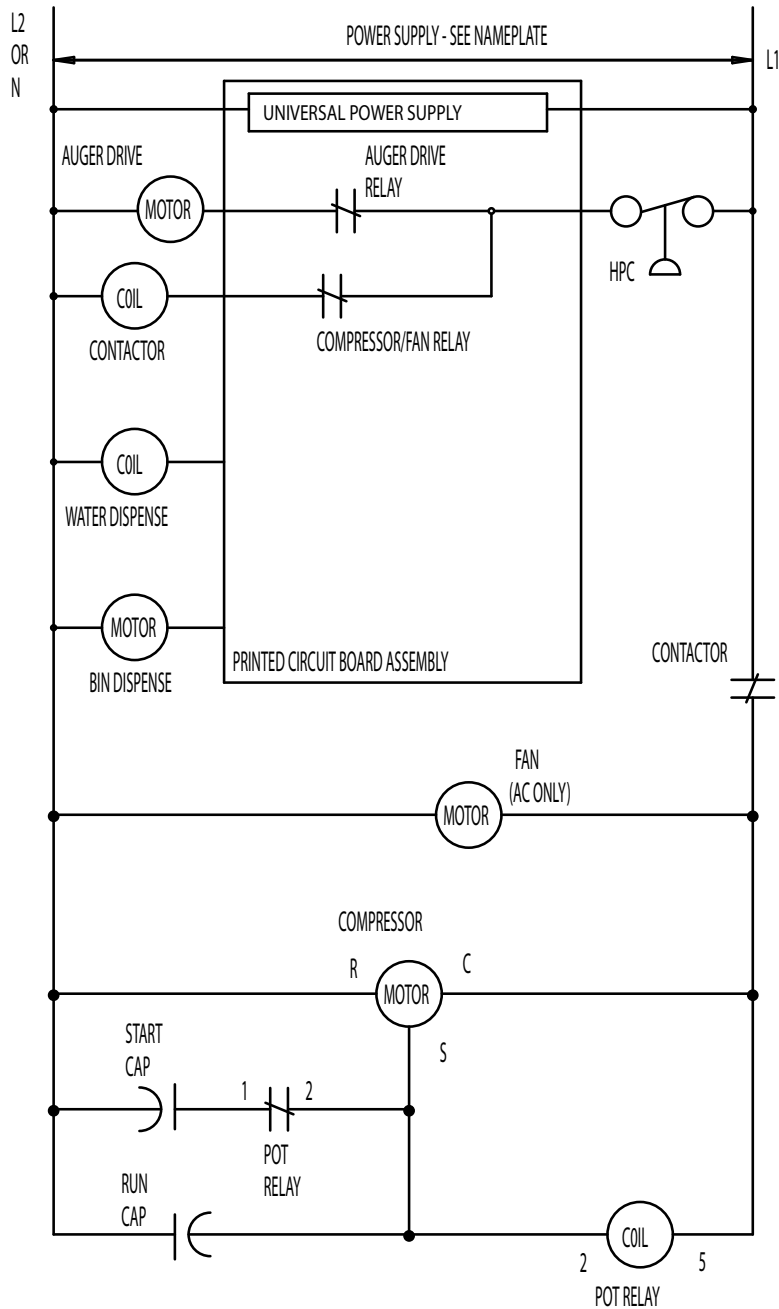


# HID312, HID525 and HID540 Service Parts

## HID525 and HID540 Schematic Diagram

1 WIRE COLOR FOR 208-230/60/1 AND 115/60/1 UNITS: BLACK  
 WIRE COLOR FOR 208-230/50/1 UNITS: BROWN

2 WIRE COLOR FOR 115/60/1 UNITS: WHITE  
 WIRE COLOR FOR 208-230/50/1 UNITS: BROWN



ALL CONTROLS SHOWN IN ICE MAKING MODE  
 WITH ALL DISPENSING SYSTEMS IN OPERATION