

**HOBART**701 S Ridge Avenue, Troy, OH 45374  
1-888-4HOBART • www.hobartcorp.com**THE EDGE12  
SLICER****HOBART****STANDARD FEATURES**

- 1-Speed, 1/2 H.P. Knife Drive Motor
- Poly-V Belt Drive System
- 45° Product Table
- Sanitary Anodized Aluminum Base
- Anodized Aluminum Carriage and Knife Cover
- No-Volt Release
- Removable Carriage System
- 12" Diameter Chrome-Plated Carbon Steel Knife
- Removable Top-Mounted Ceramic Simultaneous Sharpener
- Permanent Knife Ring Guard
- Removable Product Deflector
- Rear-Mounted Removable Meat Grip with Contoured Handle

**MODEL**

- The EDGE12 Slicer** – 120/60/1  
Manual Slicer and 12" Knife Diameter

Specifications, Details and Dimensions on Inside and Back.

**THE EDGE12 SLICER**

# THE EDGE12 SLICER

**HOBART**

701 S Ridge Avenue, Troy, OH 45374  
1-888-4HOBART • www.hobartcorp.com

## SOLUTIONS / BENEFITS

### 1-Speed, ½ H.P. Knife Drive Motor

Durability and performance

### Poly V-Belt Drive System

Performance, durability, reduced maintenance

- Design extends belt life while producing optimal slicing results
- Quieter operating slicer
- More economical for service and repairs with reduced parts and reduced service time

### Full Gravity Feed

Full 45° angle feed requires less mechanical pressure.

### Sanitary Anodized Aluminum Base

Improved sanitation, labor savings

- One piece base makes cleaning easy
- No cracks/crevices or bolt holes where product can lodge and bacteria may grow
- Easy cleaning and durable finish

### Anodized Aluminum Carriage and Knife Cover

Improved sanitation, durability

- Maximum sanitation and minimal cleanup time
- Corrosion resistant, impact resistant

### No-Volt Release

- Slicer must be restarted if power fails or slicer is unplugged

### Removable Carriage System

Improves Sanitation

- Removable for complete cleaning and sanitation procedures

### 12" Diameter Chrome-Plated Carbon Steel Knife

Reduced cost of ownership, improved yield

- Thin edge design improves yield

### Top Mounted Ceramic Stone Sharpener

Ease of use, improved sanitation

- Single action sharpens and hones in 15 seconds
- Removable and submersible for easy cleaning and sanitation

### Permanently Mounted Ring Guard

Protection

- Protects knife during operation and cleaning

### Removable Rear Deflector

Improved sanitation, ease of use

- Allows access for thorough cleaning
- No tools required means easy removal during cleaning

### Removable Meat Grip

Ease of cleaning and use

- Removable meat grip allows for easy cleaning and meat grip extension ensures oversized loaves are secured



701 S Ridge Avenue, Troy, OH 45374  
1-888-4HOBART • www.hobartcorp.com

## THE EDGE12 SLICER

### SPECIFICATIONS

**KNIFE MOTOR:** 1-speed, ½ H.P. Totally enclosed, permanently lubricated ball bearings. Single phase capacitor-start, induction run.

**ELECTRICAL SPECIFICATIONS:** 120/60/1 ETL Listed, 4 Amp.

**POLY V BELT DRIVE SYSTEM:** Knife is driven by a Poly V-belt and runs at 300 rpm for optimal performance. Aluminum knife shaft pulley and steel motor pulley.

**FULL GRAVITY FEED:** Full 45° angle feed requires less mechanical pressure.

**SANITARY ANODIZED ALUMINUM BASE:** One-piece base makes cleaning easy. Surfaces are durable and smooth presenting no holes or crevices in which food can lodge. Easy clean-up and durable finish to withstand harsh cleaning products.

**NO-VOLT RELEASE:** In the event of a power loss, slicer must be restarted before operation can continue.

**REMOVABLE CARRIAGE SYSTEM:** Anodized aluminum carriage system is removable for thorough cleaning and sanitation. The carriage has 11.5" manual travel.

**CHROME-PLATED CARBON STEEL KNIFE:** 12" diameter, hollow ground, hardened, polished, forged and chromium-plated carbon steel knife. Anodized aluminum knife cover provides easy cleaning access. Gauge plate protects knife edge when index knob is turned to full clockwise position.

**CUTTING CAPACITY:** Carriage handles food up to 10.0" wide by 6.0" high or 8.0" diameter.

**SLICE THICKNESS:** Precision system provides infinite slice adjustment and consistent cuts of hard or soft foods from tissue thin to ⅛" (14 mm).

**TOP MOUNTED CERAMIC STONE SHARPENER:** Built-in, top-mounted, two stone dual-action system for a consistently sharp knife edge. Unit is removable for easy cleaning.

**PERMANENTLY MOUNTED RING GUARD:** Protects knife edge during operation and cleaning.

**REMOVABLE PRODUCT DEFLECTOR:** Allows for thorough cleaning of slicer.

**FINISH:** Anodized aluminum carriage, gauge plate, knife cover and base.

**REMOVABLE MEAT GRIP:** Removable meat grip allows for easy cleaning and meat grip extension ensures oversized loaves are secured.

**START/STOP BUTTON:** Simple START/STOP button.

**CORD AND PLUG:** Attached 6-foot, flexible 3-wire cord and plug for grounded receptacle.

**WARRANTY:** All parts, service and travel coverage for one year excluding wear items.

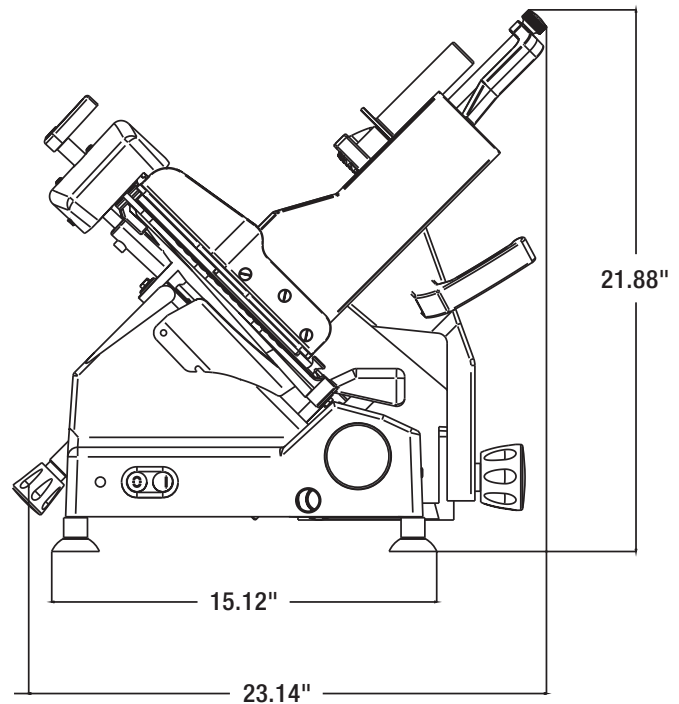
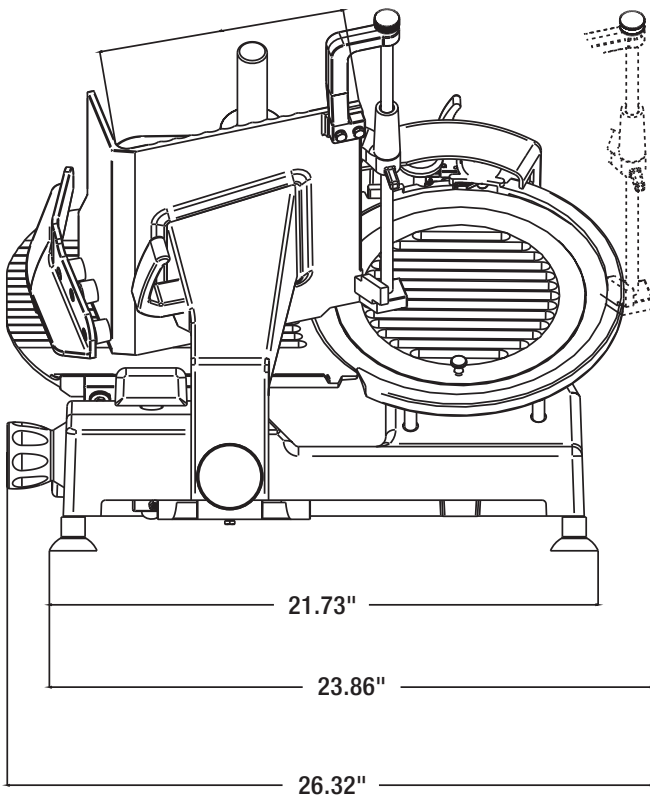
**WEIGHT:** Shipping – 85 lbs.; Net – 68 lbs.

# THE EDGE12 SLICER



701 S Ridge Avenue, Troy, OH 45374  
1-888-4HOBART • www.hobartcorp.com

## DETAILS AND DIMENSIONS



As continued product improvement is a policy of Hobart, specifications are subject to change without notice.