



Over 90 Years Of Quality Foodservice Products And Service

Job _____ Item No. _____

MOD200 Series 12" X 20" Two-Well Heavy Duty, Top-Mount, Rectangular Drop-In Food-Warmers



Model MOD200

DESCRIPTION

Wells heavy-duty, top-mount, drop-in, Modular food warmers are designed to hold heated foods at safe and fresh serving temperatures. Wells MOD200 Series accommodates two 12" X 20" standard food pans or equivalent fractional inset pans and are designed for wet or dry operation

SPECIFICATIONS

Construction - One-piece stainless steel top flange and heavy-gauge, deep-drawn stainless steel warming pans are standard features on all models. Wellsloks are standard for quick and easy installation.

Insulation - Sides, front, back and bottom are fully insulated for energy savings, efficiency, quicker pre-heat and faster recovery.

Controls & Heating- Individual controls for each well provide maximum versatility. Models with thermostatic or infinite controls are available. High-limits prevent overheating. Temperature-ready indicator lights are standard on all control types. Powerful tubular heating elements are located under the warming pans for quick and efficient heating and for even heat distribution.

Additional Features Available

- Auto water-fill to maintain proper water level
- All models are field convertible from 1Ø to 3Ø
- Drains
- Drains with manifolds
- Infinite or thermostatic controls

STANDARD FEATURES

- Accommodates two 12" X 20" standard inset pans or equivalent fractional pans
- One-piece stainless steel top flange and heavy-gauge, deep-drawn stainless steel warming pans
- Suitable for wet or dry operation (wet recommended for best results)
- Energy-saving fully-insulated construction
- Fully Insulated models are perfect for non-metal counters
- Thermostatic or infinite controls
- Separate control for each individual well
- High limits prevent overheating
- Thermostatic controls are recessed in a one-piece, drawn, front-mounted panel
- Wellslok standard for ease of installation
- Powerful tubular heating elements
- ½" drains and manifolds available
- Cords & plugs available on all 208/240V models
- 1-Year Limited Parts & 1-Year Limited Labor Warranty

OPTIONS & ACCESSORIES

- Adaptor tops for round insets
- Inset with lid
- 8oz. soup ladle
- Drain value extension kit
- Drain screens
- Wellslok extension kits for wood counter installations
- Cords & plugs available on all 208/240V models (T-Stat units only)
- Optional 72" wiring

CERTIFICATIONS



Wells Manufacturing

265 Hobson St., Smithville, TN 37166
Phone: 800-264-7827 | Fax: 314-781-5445
We: wells-mfg.com

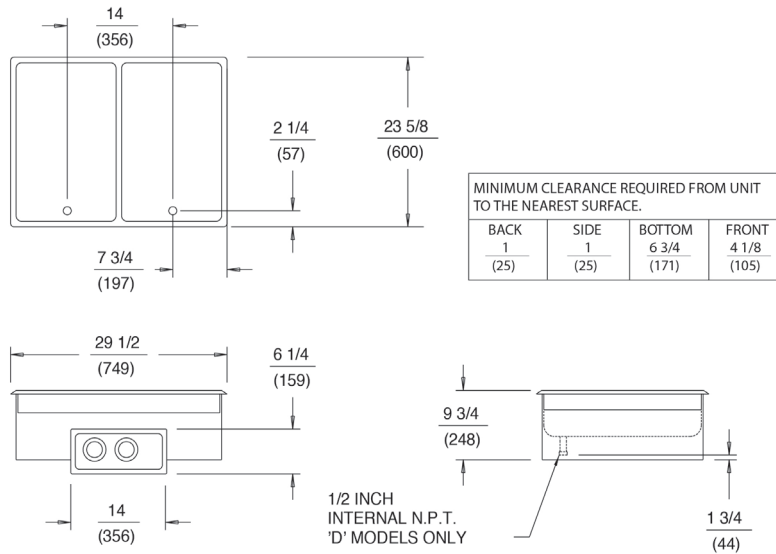
NOTE: Specifications are subject to change without notice and are not intended for installation purposes. See installation instructions prior to installing the unit.

MOD200_Standard_Rev-B_(07-21)



Over 90 Years Of Quality Foodservice Products And Service

MOD200 Series 12" X 20" Two-Well Heavy Duty, Top-Mount, Rectangular Drop-In Food-Warmers



SPECIFICATIONS

Model Number	Description	Volts	Watts Per Well	Phase	Optional Power Cord Supply	OVERALL Width Left to Right Inches (MM)	OVERALL Length Front to Back Inches (MM)	OVERALL Height Inches (MM)	CONTROL PANEL Width Front to Back Inches (MM)	CONTROL PANEL Height Left to Right Inches (MM)	Shipping Weights Pounds (KG)	Crate Size Cubic Feet (Cubic Meters)	Approvals
MOD200	Infinite Controls no Drains	208V 240V	900 1200	1Ø	NONE	29-1/2 (749)	23-5/8 (600)	9-3/4 (248)	14 (356)	6-1/4 (159)	51 (23.2)	7.89 (0.384)	NU
MOD200CSA	Infinite Controls no Drains	208V 240V	1800 2400	1Ø	NONE	29-1/2 (749)	23-5/8 (600)	9-3/4 (248)	14 (356)	6-1/4 (159)	51 (23.2)	7.89 (0.384)	NC
MOD200D	Infinite Controls with Drains	208V 240V	900 1200	1Ø	NEMA 6-15P	29-1/2 (749)	23-5/8 (600)	9-3/4 (248)	14 (356)	6-1/4 (159)	51 (23.2)	7.89 (0.384)	NU
MOD200DM	Infante Controls with Drains & Manifold	208V 240V	900 1200	1Ø	NEMA 6-15P	29-1/2 (749)	23-5/8 (600)	9-3/4 (248)	14 (356)	6-1/4 (159)	51 (23.2)	7.89 (0.384)	NU
MOD200T	Thermostatic Controls no Drains	208V 240V	1240 1650	1Ø	NEMA 6-15P	29-1/2 (749)	23-5/8 (600)	9-3/4 (248)	14 (356)	6-1/4 (159)	51 (23.2)	7.89 (0.384)	NU
MOD200TD	Thermostatic Controls with Drains	208V 240V	1240 1650	1Ø	NEMA 6-15P	29-1/2 (749)	23-5/8 (600)	9-3/4 (248)	14 (356)	6-1/4 (159)	51 (23.2)	7.89 (0.384)	NU
MOD200TDM	Thermostatic Controls with Drains & Manifold	208V 240V	1240 1650	1Ø	NEMA 6-15P	29-1/2 (749)	23-5/8 (600)	9-3/4 (248)	14 (356)	6-1/4 (159)	51 (23.2)	7.89 (0.384)	NU
MOD200TDMAF	Thermostatic Controls with Drains, Manifold & Auto-Fill	208V 240V	1240 1650	1Ø	NEMA 6-15P	29-1/2 (749)	23-5/8 (600)	9-3/4 (248)	18 (457)	6-1/4 (159)	56 (25.5)	7.89 (0.384)	NU

Cords and plugs are available on thermostatic control models only (208/240V models)

AutoFill models require a water connection. Please refer to the operator's manual and installation instructions for details.

Due to periodic changes in designs, methods, procedures, policies and regulations, the specifications contained in this sheet are subject to change without notice. While Wells exercises good faith efforts to provide information that is accurate, we are not responsible for errors or omissions in information provided or conclusions reached as a result of using the specifications. By using the information provided, the user assumes all risks in connection with such use.



Wells Manufacturing
265 Hobson St., Smithville, TN 37166
Phone: 800-264-7827 | Fax: 314-781-5445
We: wells-mfg.com

NOTE: Specifications are subject to change without notice and are not intended for installation purposes. See installation instructions prior to installing the unit.

MOD200_Standard_Rev-B_(07-21)