

ELECTRICAL

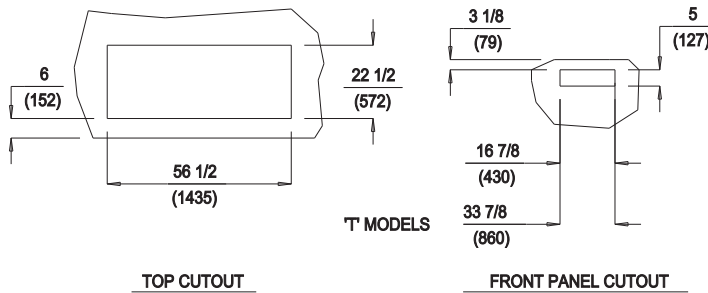
INSTALLATION INSTRUCTIONS BUILT-IN MODULAR WARMERS MOD 400 SERIES (D, TD, TDM)

MODELS	VOLTS	WATTS	AMPS PER LINE 3 PHASE			AMPS SINGLE PHASE	FIELD WIRING GAUGE		TEMP. RATING
			L1	L2	L3		3 PHASE	1 PHASE	
MOD-400	208	3600	11.2	11.2	7.5	17.3	12 AWB Cu	10 AWB Cu	75°C
MOD-400	240	4800	13.0	13.0	8.7	20.0	12 AWB Cu	10 AWB Cu	75°C
MOD-400T	208	4960	14.5	14.5	9.8	23.8	12 AWB Cu	8 AWB Cu	75°C
MOD-400T	240	6600	17.8	17.8	11.3	27.5	12 AWB Cu	8 AWB Cu	75°C

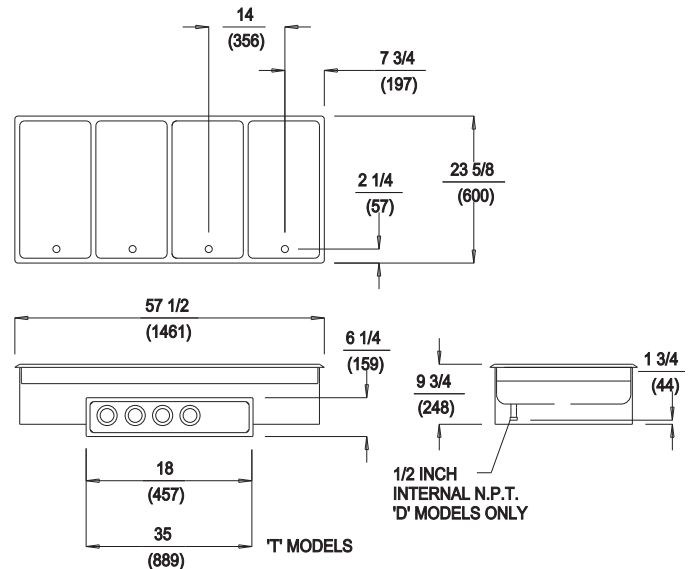
ALL MODELS WITH A 'D' OR 'DM' SUFFIX HAVE THE SAME ELECTRICAL SPECIFICATIONS AS THE STANDARD MOD-400 AND MOD-400T MODELS

INCHES
(MM)

CUTOUT DETAILS



PRODUCT DIMENSIONS



CLEARANCES

MINIMUM CLEARANCE REQUIRED FROM UNITS TO THE NEAREST SURFACE			
BACK	SIDE	BOTTOM	FRONT
$\frac{1}{(25)}$	$\frac{1}{(25)}$	$\frac{6 \frac{3}{4}}{(171)}$	$\frac{6}{(152)}$

INSTALLATION INSTRUCTIONS

NOTE: MOD-400 UNITS ARE SHIPPED THREE PHASE AND ARE FIELD CONVERTIBLE TO SINGLE PHASE. THE DRAIN MANIFOLD WITH 1" INTERNAL NPT VALVE IS SUPPLIED FOR DM AND TDM MODELS ONLY.

INSTALLER MUST MEET CONDITIONS OF ACCEPTABILITY OUTLINED BELOW UPON INSTALLATION:

1. Required Installation Clearances:

Wooden and Metal Installation: DO NOT install closer than 6 inches to front wall, 1 inch to back and side walls, and 6 3/4 inches to a surface below the unit.

- Unit shall be accessible for servicing from the bottom.
- If storage is to be used underneath the unit, it is recommended that a baffle be placed 8 1/2 inches below the unit to avoid contact with elevated temperatures.

TO FABRICATE:

- Layout "cutout" dimensions on countertop and front apron.
- Layout and fabricate control panel holes in counter apron using the control box as a template.
- Cut out holes.
- Unit shall be accessible for servicing from the bottom.

TO INSTALL:

IMPORTANT - DO NOT disconnect "lead wires" from the Master Control Panel when making installation.

1. Tilt and pass Control Panel and electrical box through countertop cutout, then through apron cutout. Lower modular section into countertop cutout and position.
RECOMMENDATION: Before final seating of modular section to countertop, apply a bead of silicone adhesive/sealant to underside of gray gasket material supplied on mounting flange.

- From underneath, insert screwdriver into "slots" in Wellslok frame and twist "ears" outward (clockwise) as required to secure flange tightly to countertop.
- Mount Control Box to apron cutout as shown in drawing.

- Mount Control Panel onto electrical box using screws supplied.

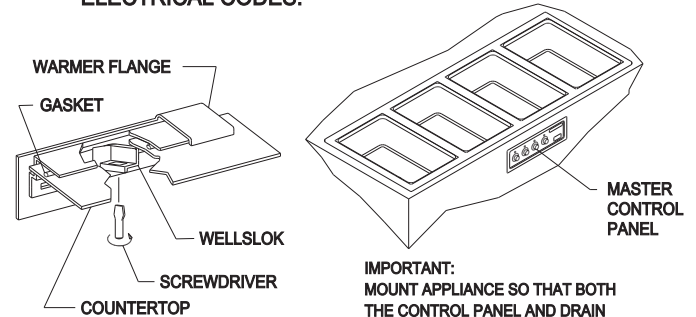
TO PLUMB:

- A drain manifold complete with valve is supplied on all Model "DM" and "TDM" units. Location of valve handle is at the discretion of the fabricator. Install and tighten pipe plug in one end of the manifold.
- Warmers with 'D' suffix are supplied with individual 1/2" female N.P.T. drains.
- Connect 1" drain connection to suitable drain line.

TO WIRE:

- Final connection is accomplished by bringing proper power supply leads (see 'wiring requirements' label) through conduit knockout to terminal block supplied within the Master Control Panel. Check nameplates for voltage and phase.
- Do not connect to a circuit operating at more than 150 volts to ground.

NOTE: INSTALLATION MUST MEET LOCAL PLUMBING AND ELECTRICAL CODES.



IMPORTANT:
MOUNT APPLIANCE SO THAT BOTH THE CONTROL PANEL AND DRAIN MANIFOLD ARE LOCATED TO THE FRONT OF THE FIXTURE.