

Model 215R



Key Features

- **Double Cylinder**
Serves Two Flavors
- **Capacity**
(2) 7 Quart Cylinders - (2) 12 Quart Hoppers
- **High Production**
Up to 155 10 ounce drinks per hour per side
- **Lighted Flavor Sign**
Draws attention to product
- **Stand-by-switch**
Refrigerates mix overnight
- **Remote Refrigeration**
Keeps noise and heat away from serving area

*Frosty
Factory*

www.frostyfactory.com

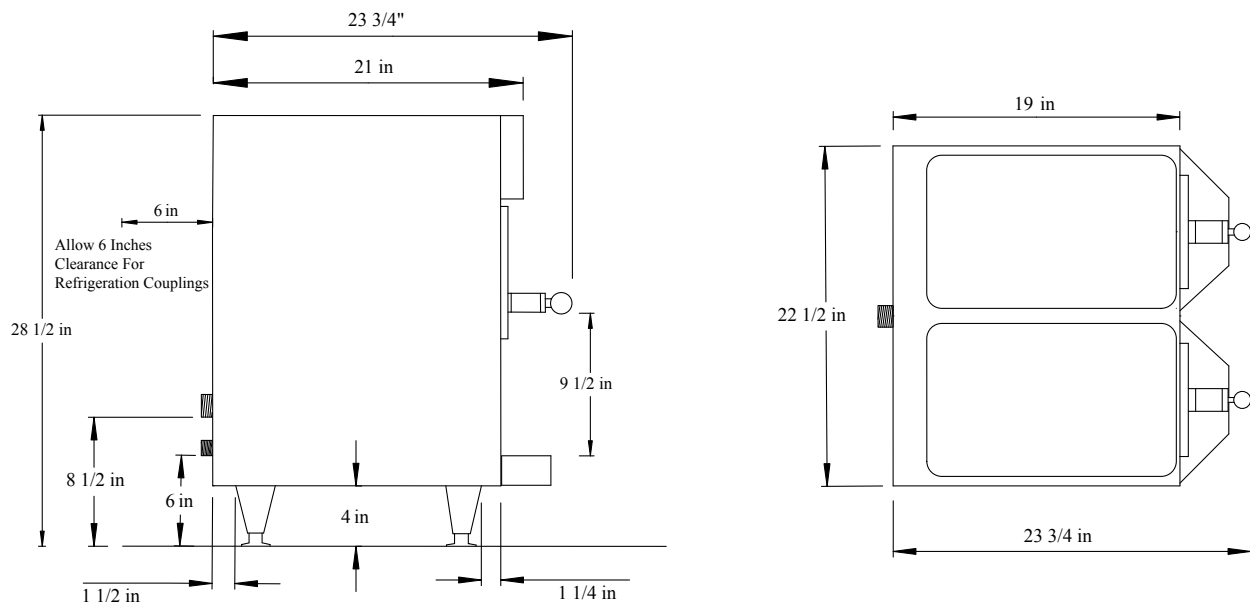
Specifications

Model 215R



Dimensions:	28 1/2 in (62 cm) x 22.5 in (57 cm) x 21 in (53 cm)
Weight:	168 lbs (80 kg)
Legs:	4 in (10 cm)
Shipping Size:	27 in (W) x 27 in (D) x 32 in (H) 69 cm (W) x 69 cm (D) x 81 cm (H)
Shipping Volume:	13 cu ft (1/3 cu m)
Shipping Weight:	175 lbs (84 kg)
Voltage:	115 - Optional 230
Hertz:	60 hz - Optional 50 hz
Phase:	1
Cooling:	Remote
Air Clearance:	Sides: None Required Rear: 6 in
Hopper Capacity:	12 qts (11 1/4 ltr)
Cylinder Capacity:	7 qts (6 1/2 ltr)
Amperage Draw:	15 amps
Circuit Breaker:	20 amps
Plug Configuration:	125 v - 20 amp NEMA 5-20
Condensing Unit:	See spec sheet
Refrigerant:	R404A

  Due to continuous research specifications are subject to change without notice.



Remote Condensing Unit



Dimensions:	19 in (48 cm) x 34 in (86.5 cm) x 25.5 in (65 cm)
Weight:	210 lbs (95kg)
Shipping Size:	31 in (W) x 36 in (L) x 23 in (H) 79 cm (W) x 91 cm (L) x 58 cm (H)
Shipping Volume:	15.5 cu ft (1/2 cu m)
Shipping Weight:	217 lbs (98 kg)
Voltage:	208 - 230
Hertz:	60 hz - Optional 50 hz
Phase:	1 - Optional 3
Cooling:	Air Cooled - Optional Water
Air Clearance:	Intake: 8 in (20 cm) Exhaust: 60 in (152 cm)
Amperage Draw:	22 amps (12 at 3 ph)
Circuit Breaker:	30 amps minimum
Compressor:	3 hp
Refrigerant:	R404A

 Due to continuous research specifications are subject to change without notice.

