

MOTAK

Worktop Refrigerator 1-section

Model #: MWF-28-X

Product Details

- Eco-friendly, R290 refrigerant
- Durable stainless steel top, interior walls, floor and ceiling
- Temperature Range: -8°F - 0°F
- Self-Closing doors with 90 degree stay-open feature
- Adjustable heavy-duty coated shelves
- 4" swivel casters with brakes (pre-installed)
- Electronic control system makes it easy to adjust temperature set point and defrost frequency
- Easy to access condenser coil

Not suitable for installation in non-commercial or residential applications.



Warranty

WARRANTY: 2 years parts & labor and additional 3 years on compressor

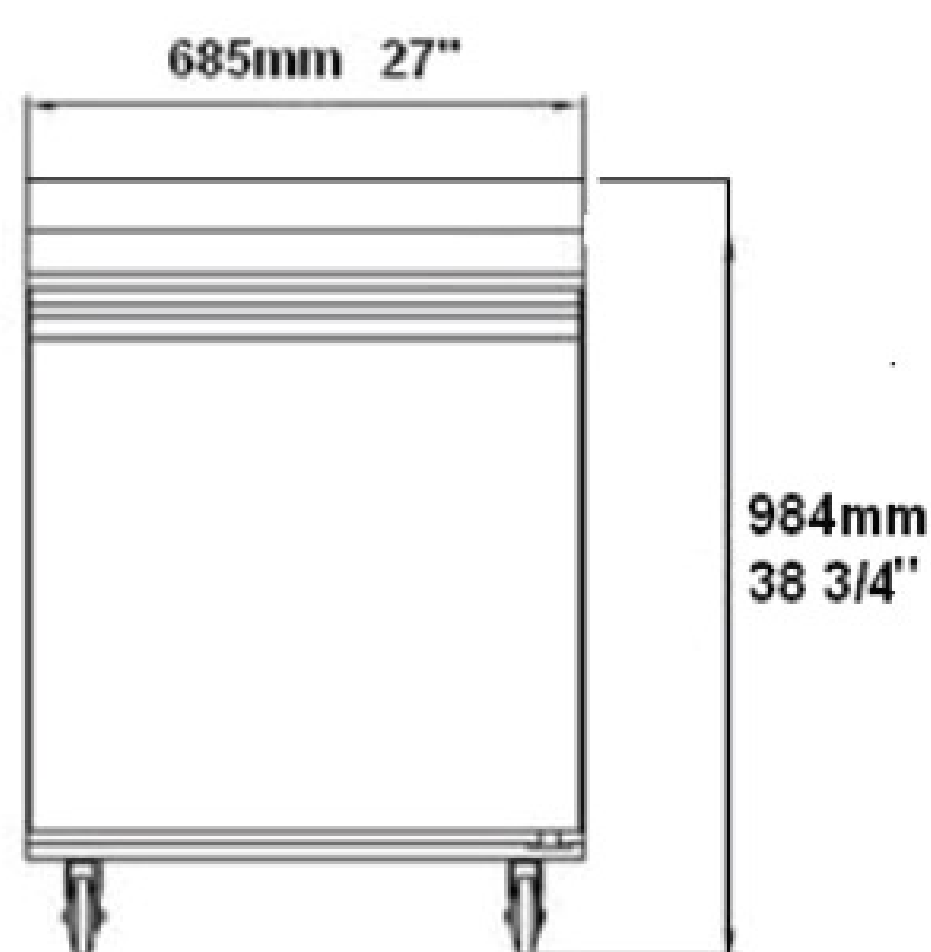
Certifications



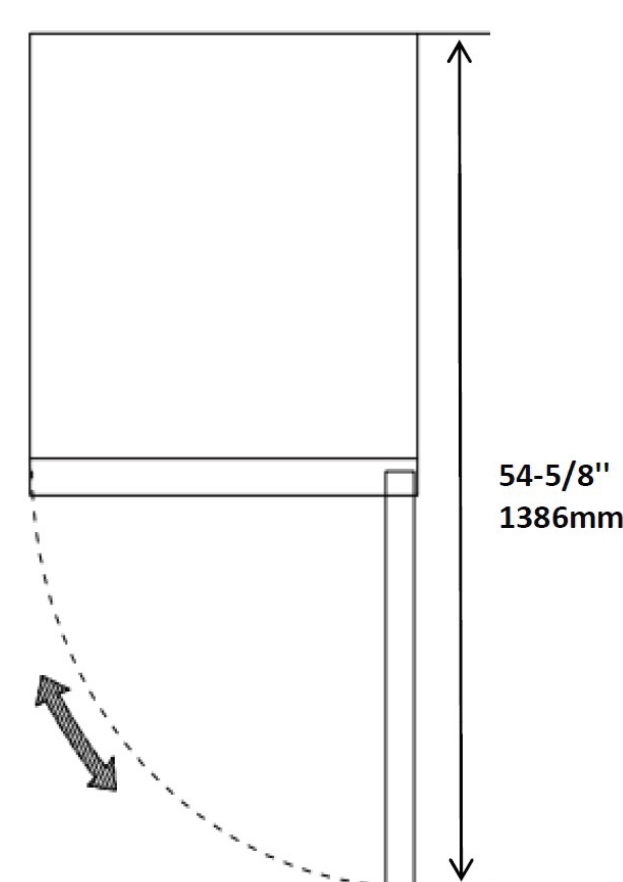
Specifications

Model	Doors	Shelves	Cabinet Dims (in)			HP	Voltage	Amp	NEMA Plug	Cord Length (ft)	Crated Weight (lbs)
			Width	Depth	Height						
MWF-28-X	1	1	27"	29.5"	38.75"	1/5	115/60/1	2.1	5-15P	10 ft.	243 lbs.

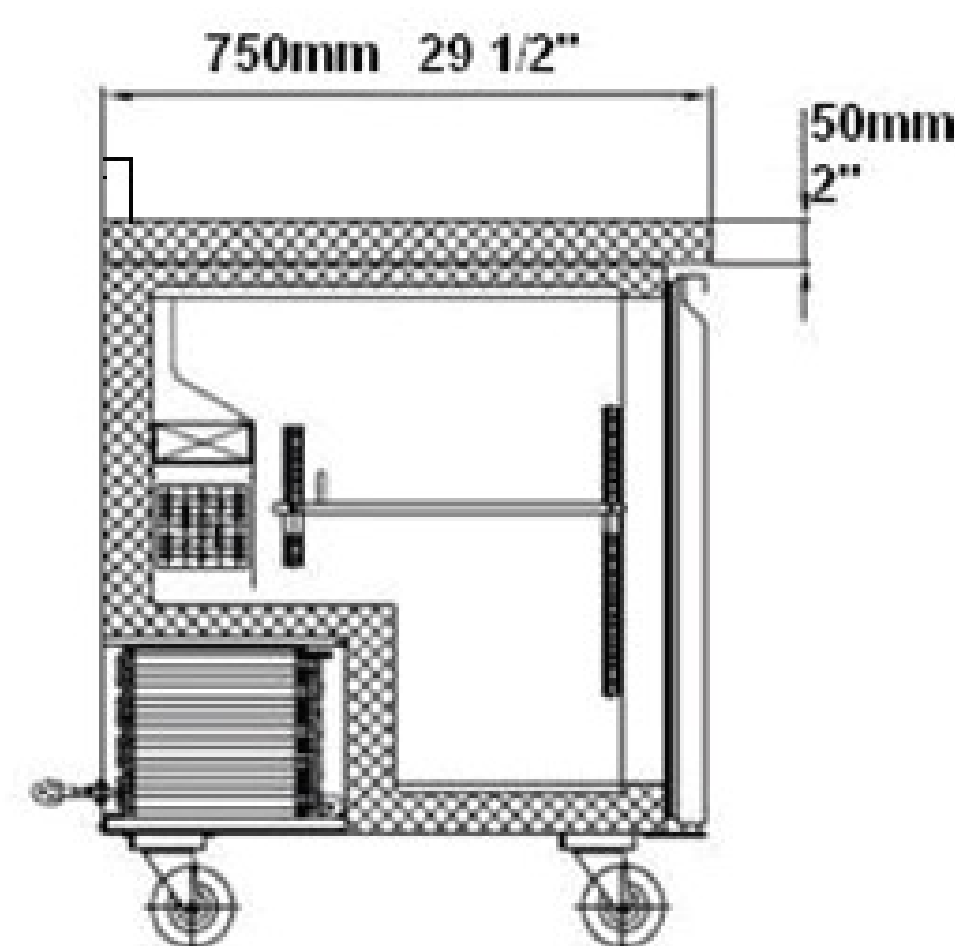
Plan View



Front View



Top View



Side View

MOTAK reserves the right to make changes to the design or specifications without prior notice.

JAN0621