



CATALOG OF REPLACEMENT PARTS



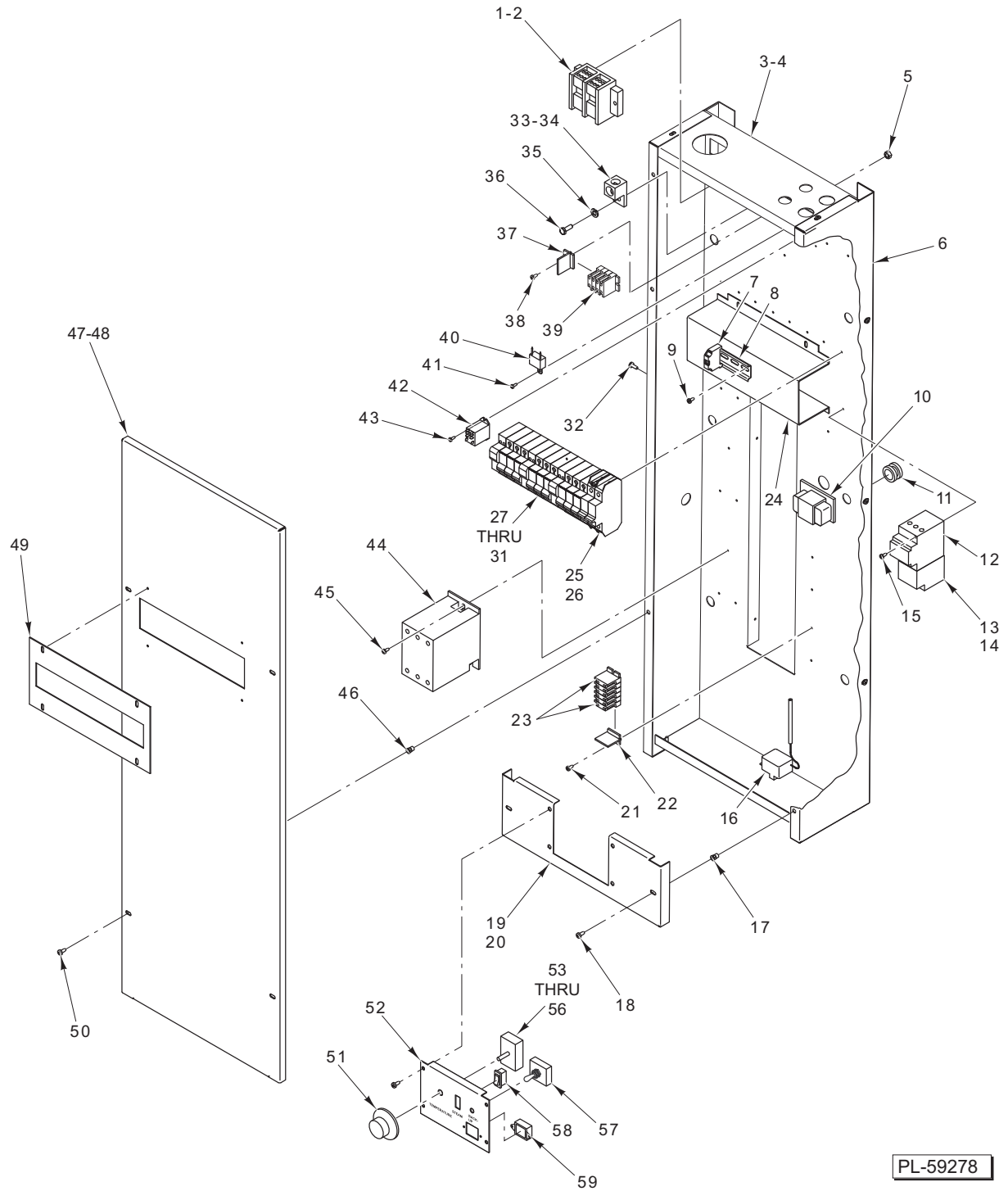
ELECTRIC RACK OVEN

OV500E1
OV500E2

ML-132501
ML-132499

Table of Contents

5	COMPONENT BOX
7	CONTROL CABINET, DOOR, AND CONTROLLER
9	CABINET (ML-132501)
11	CABINET (ML-132499)
12	HOOD (ML-132501)
13	HOOD (ML-132499)
15	LOADING DOOR (ML-132501)
17	LOADING DOOR (ML-132499)
19	BLOWER, PANELS, AND VENTS (ML-132501)
21	BLOWER, PANELS, AND VENTS (ML-132499)
23	LIFTER, ROTATOR, AND CARRIER
24	STEAMER ASSEMBLY (ML-132501)
25	STEAMER ASSEMBLY (ML-132499)
26	DOOR LATCH ASSEMBLY
27	EXTERIOR WATER SUPPLY
28	HEATING ELEMENTS

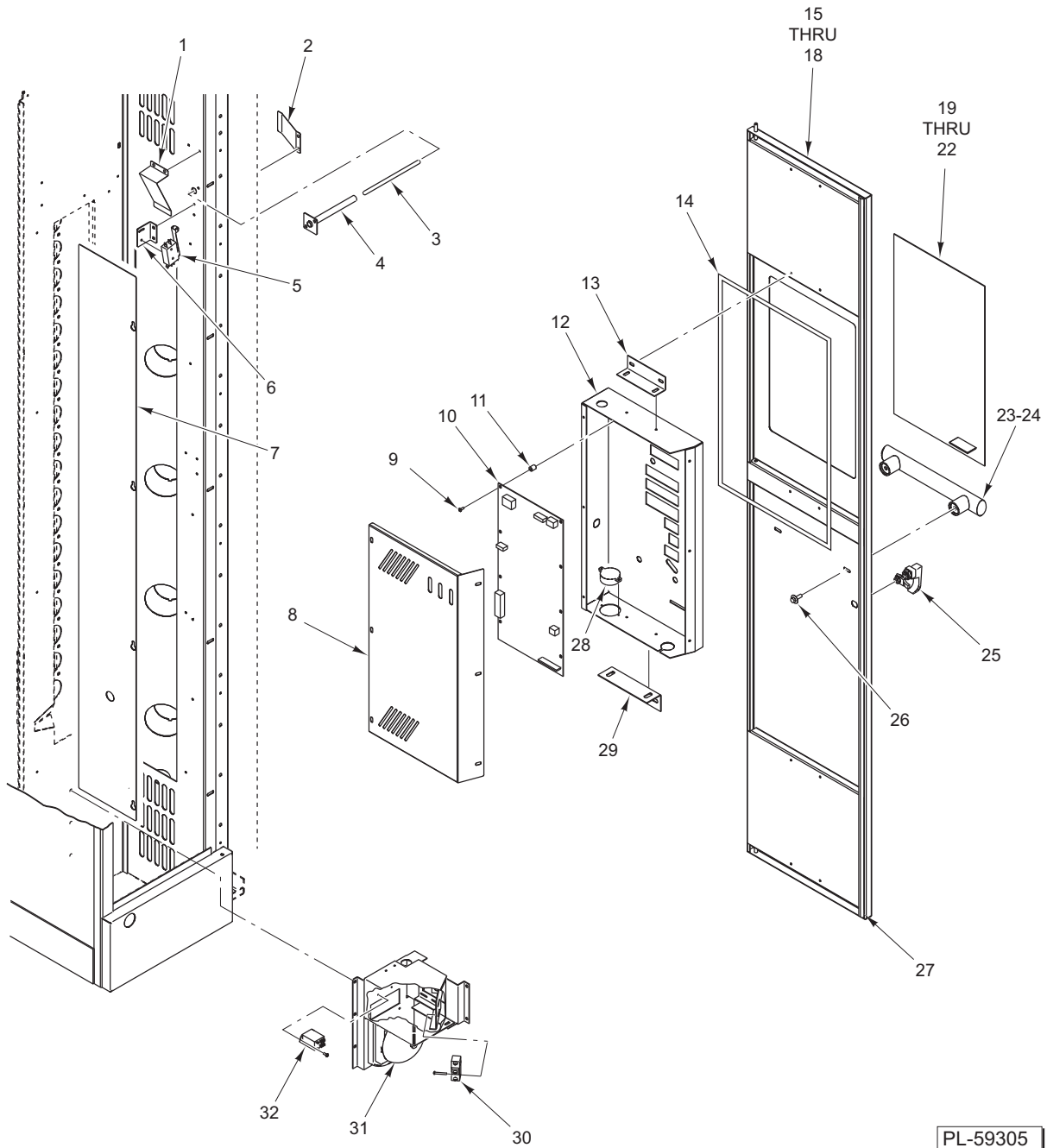


COMPONENT BOX

ILLUS.	PART NO.	NAME OF PART	AMT.
	PL-59278		
1	01-1000V5-00063	Block – Distribution (ML-132499)	1
2	01-1000V5-00096	Block – Power Distribution (ML-132501)	1
3	01-1M5415-00001	Back – Electric Box (ML-132499)	1
4	01-1M5415-00002	Panel – Back Electric Component (ML-132501).....	1
5	-	Nut 1/4-20 Hex	1
6	01-1M5416-00001	Side – Electric Box.....	2

COMPONENT BOX (CONT.)

ILLUS.	PART NO.	NAME OF PART	AMT.
	PL-59278		
7	01-1000V6-00252	End Stop – Din Rail	1
8	01-100V18-00115	Din Rail 9080-M H (12 In.)	1
9	-	Self-Tapping Screw 8-32 x 3/4 Phil. Pan Hd., Type F	3
10	01-100V10-00278	Transformer (5 VA) (120-24 V.)	1
11	01-1000V5-00059	Bushing – Snap (7/8 In.)	1
12	01-1000V6-00231	Contacto LC1D09 (5 Hp.)	1
13	01-1000V6-00232	Overload (4 – 6 Amp.) (208-240 V./50/60/3, 120 V./50/60/1)	1
14	01-1000V6-00235	Overload (1.2 – 2.5 Amp.) (440-480 V./50/60/3, 120 V./50/60/1)	1
15	-	Self-Tapping Screw 8-32 x 3/4 Phil. Pan Hd., Type F	2
16	01-1000V6-00290	Thermostat 608 Deg. Hi-Limit	1
17	01-1000V4-00121	Insert – Threaded 10-32 Hex	2
18	-	Mach. Screw 10-32 x 1/2 Phil. Truss Hd.	2
19	01-1M5418-00002	Cover – Bottom Electric Box (ML-132499)	1
20	01-1M5418-00004	Cover – Bottom Electric Box (ML-132501)	1
21	-	Self-Tapping Screw 6-32 x 3/8 Phil. Pan Hd., Type F	5
22	01-1000V5-00106	Strip End – Terminal	1
23	01-1000V5-00105	Strip – Terminal	AR
24	01-1M5418-00008	Bracket – Circuit Breaker	1
25	01-1000V6-00251	Breaker – Circuit (10 Amp.)	2
26	01-1000V6-00291	Breaker – Circuit (13 Amp., 1 Ph.)	1
27	01-1000V6-00269	Breaker – Circuit (35 Amp., 3 Ph.) (Used With Item 31)	1
28	01-1000V6-00262	Breaker – Circuit (35 Amp., 3 Ph.) (Used Without Item 31)	1
29	01-1000V6-00260	Breaker – Circuit (63 Amp., 3 Ph.) (Used Without Item 31)	1
30	01-1000V6-00266	Breaker – Circuit (63 Amp., 3 Ph.) (Used With Item 31)	1
31	01-1000V6-00261	Protector – Supplementary (120 V.)	4
32	-	Self-Tapping Screw 10-32 x 3/8 Phil. Pan Hd., Type F	3
33	01-1000V5-00101	Lug – Ground (ML-132499)	1
34	01-1000V5-00037	Terminal – Lug (ML-132501)	1
35	-	Lockwasher 1/4 Internal	1
36	-	Cap Screw 1/4-20 x 3/4 Hex	1
37	01-1000V5-00106	Strip End – Terminal	1
38	-	Self-Tapping Screw 6-32 x 3/8 Phil. Pan Hd., Type F	2
39	01-1000V5-00105	Strip – Terminal	6
40	01-100V10-00242	Filter – EMI	1
41	-	Self-Tapping Screw 8-32 x 3/4 Phil. Pan Hd., Type F	1
42	01-1000V6-00271	Relay	1
43	-	Self-Tapping Screw 6-32 x 3/8 Phil. Pan Hd., Type F	2
44	01-1000V6-00185	Contacto (60 Amp.)	3
45	-	Self-Tapping Screw 6-32 x 3/8 Phil. Pan Hd., Type F	2
46	01-1000V4-00121	Insert – Threaded 10-32 Hex	6
47	01-1M5418-00009	Cover – Electric Box (ML-132499)	1
48	01-1M5418-00006	Cover – Electric Box (ML-132501)	1
49	01-1M5418-00010	Cover – Circuit Breaker	1
50	-	Mach. Screw 10-32 x 1/2 Phil. Truss Hd.	6
51	01-100V18-00149	Knob – Thermostat	1
52	01-1M5084-00001	Plate – Backup Control ID	1
53	01-1000V6-00265	Thermostat (500 Deg.)	1
54	01-1M5894-00001	Bracket – Back-Up Stop	1
55	-	Screw 6-32 x 3/8	2
56	-	Screw 6-32 x 5/8	1
57	01-1000V6-00221	Switch – MOM Transfer	1
58	01-1000V6-00220	Switch – Toggle 4 PDT	1
59	01-1000V6-00070	Relay DPDT (1/4 Hp., 120 VAC)	1
	01-100V10-00120	Transformer – Export (Located On Lift / Rack Assy.) (1/2 KVA) (ML-132501)	1
	01-100V10-00119	Transformer – Export (Located On Lift / Rack Assy.) (1 KVA)	1
	01-1M2734-00001	Plate – Transformer	1
	01-1M5598-00011	Box Assy. – Component (208-240 V.)	1
	01-1M5598-00012	Box Assy. – Component (440-480 V.)	1
	01-1M5828-0001F	Module – Electric (208-240 V./60/3) (ML-132499)	1
	01-1M5828-0002F	Module – Electric (440-480 V./60/3) (ML-132499)	1
	01-1M5828-0003F	Module – Electric (380 V.) (ML-132499)	1
	01-1M5828-0005F	Module – Electric (208-240 V.) (ML-132501)	1
	01-1M5828-0006F	Module – Electric (440-480 V.) (ML-132501)	1
	01-1M5828-0007F	Module – Electric (380 V.) (ML-132501)	1
	01-1M5083-00001	Back-Up Control Unit (Incls. Items 51, 52, 57, 58, & 59)	1



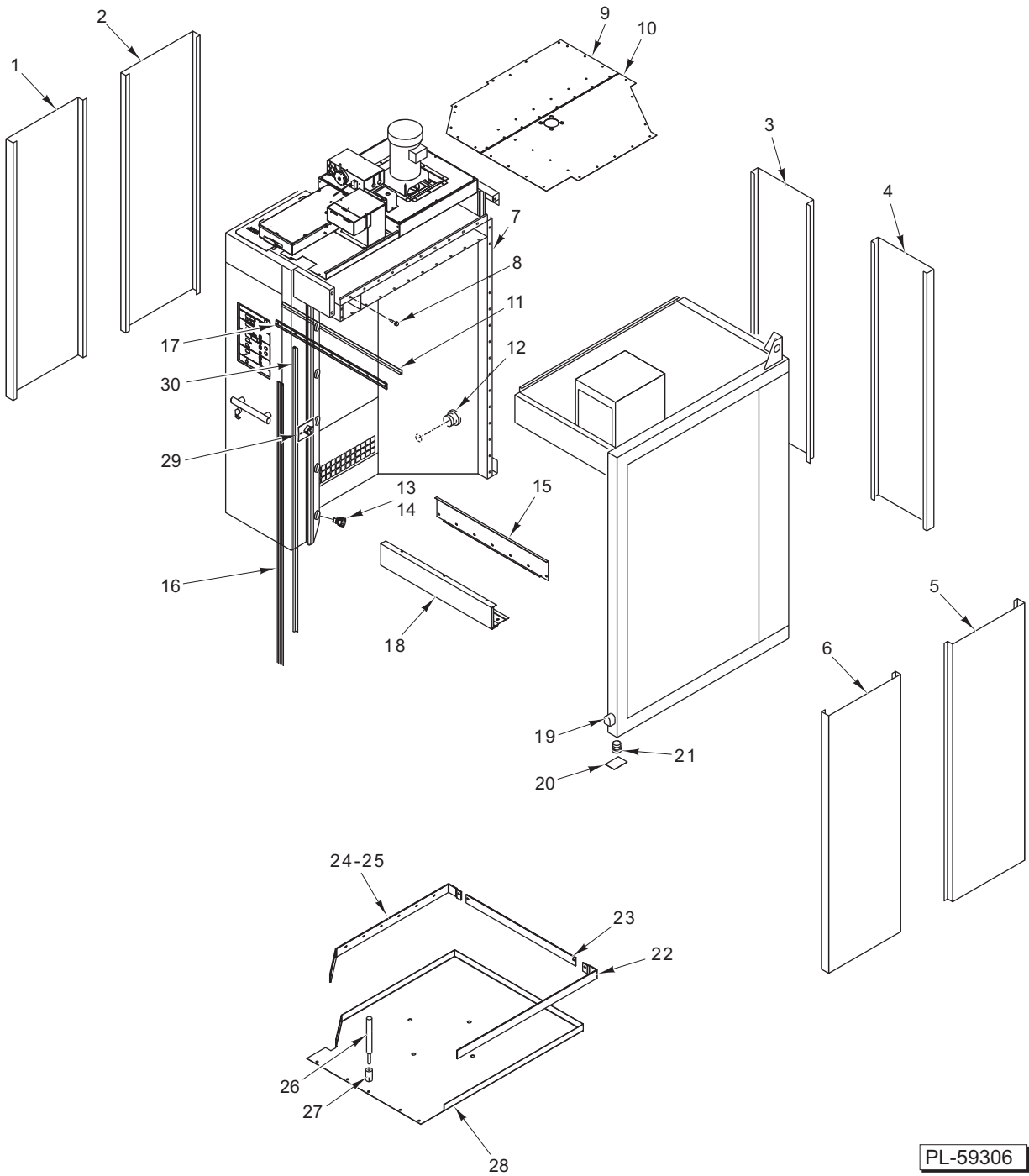
PL-59305

CONTROL CABINET, DOOR, AND CONTROLLER

CONTROL CABINET, DOOR, AND CONTROLLER

ILLUS. PL-59305	PART NO.	NAME OF PART	AMT.
1	01-1M6156-00101	Guide – Actuator Rod	1
2	01-1M6157-00101	Guide – Actuator Rod	1
3	01-1M6158-00101	Rod – Actuator	1
4	01-1M6167-00001	Weldment – Door Switch Tube	1
5	01-1000V6-00223	Switch – Lever DPST	1
6	01-1M6155-00101	Bracket – Door Switch Mounting	1
7	01-1M5150-00001	Cover – Light Access	1
8	01-1M6216-00102	Cover – Control Box	1
9	01-1000V4-00165	Nut	8
10	01-100V16-00565	PC Board – Control	1
11	01-1000V5-00164	Spacer – PC Board	8
12	01-1M6219-00001	Body – Control Box	1
13	01-1M5482-00001	Bracket	1
*14	01-100V21-00148	Trim – Rubber Edge (Used On Units Built Before 2/10/10)	5 Ft.
15	01-1M6129-00002	Door – Control Assy. (Incls. Items 13, 24, 25, 27, & 29) (ML-132499) (Used On Units Built Before 2/10/10)	1
16	01-1M6129-00008	Door – Control Assy. (Used On Units Built On Or After 2/10/10)	1
17	01-1M6129-00001	Door – Control Assy. (Incls. Items 13, 23, 25, 27, & 29) (ML-132501) (Used On Units Built Before 2/10/10)	1
18	01-1M6129-00005	Door – Control Assy. (Used On Units Built On Or After 2/10/10)	1
19	01-100V16-00546	Label – Advanced Controls (Used On Units Built Before 2/10/10)	1
20	01-100V16-00788	Label – Advanced Controls (Used On Units Built On Or After 2/10/10)	1
21	01-100V16-00648	EPROM (Advanced)	1
22	01-100V16-00747	EPROM (Panera Only)	1
23	01-1M6103-00005	Handle – Door (ML-132501)	1
24	01-1M6103-00004	Handle – Control Door (ML-132499)	1
25	01-100V18-00161	Latch	1
26	01-1000V4-00283	Mach. Screw 1/4 x 20 x 3/4 Hex Washer Hd.	AR
*27	01-100V21-00092	Gasket – PVC Extruded “B” Shape	6 Ft.
28	01-100V10-00223	Alarm – Piezo Pre-wired	1
29	01-1M5482-00001	Bracket	1
30	01-1000V6-00255	Switch – Emergency Stop	1
31	01-100V10-0003B	Bell (Includes Gong & Body)	1
32	01-1000V6-00070	Relay – DPDT (1/4 Hp., 120 VAC)	1
	01-100V16-00584	Label – Control Status (ML-132499)	1
	01-1M5670-00001	Harness – Main	1
	01-1M6078-00001	Kit – Controller Harness	1
	01-1M6216-00002	Kit – Advanced Control Box	1
	01-1M6130-00001	Door Assy. – Control (ML-132501) (Incls. Items 8 thru 15, 17, 19, 21, 23, & 25 thru 28) (Used On Units Built Before 2/10/10)	1
	01-1M6130-00005	Door Assy. – Control (ML-132501) (Used On Units Built On Or After 2/10/10)	1
	01-1M6130-00002	Door Assy. – Control (ML-132499) (Incls. Items 8 thru 15, 17, 19, 21, & 24 thru 28) (Used On Units Built Before 2/10/10)	1
	01-1M6130-00008	Door Assy. – Control (ML-132499) (Used On Units Built On Or After 2/10/10)	1
	01-1M5640-00001	Stop Assy. – Emergency (Incls. Items 30, 31, & 32)	1
	01-1M6168-00002	Bracket – Control Door (ML-132499)	1

* Sold Per Foot.



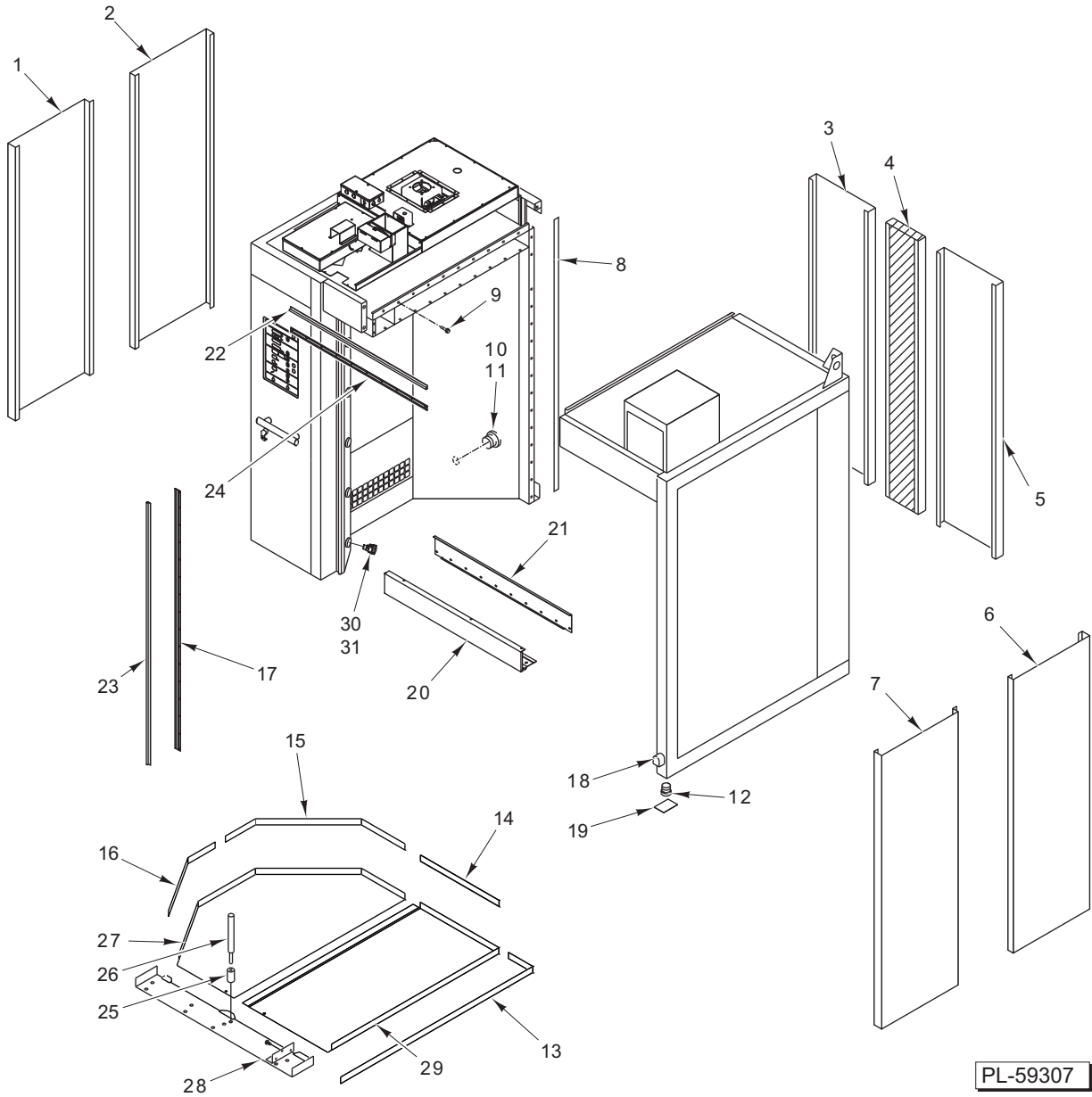
CABINET (ML-132501)

CABINET (ML-132501)

ILLUS. PL-59306	PART NO.	NAME OF PART	AMT.
1	01-1M5672-00002	Skin – Outer.....	1
2	01-1M5672-00001	Skin – Outer.....	1
3	01-1M5672-00002	Skin – Outer.....	1
4	01-1M5672-00001	Skin – Outer.....	1
5	01-1M5672-00002	Skin – Outer.....	1
6	01-1M5672-00001	Skin – Outer.....	1
*7	01-100V21-0065A	Tape – Fiberglass With Adhesive.....	AR
8	01-1000V4-00058	Mach. Screw $\frac{5}{16}$ -18 x $\frac{3}{4}$ Hex Washer Hd., Gimlet Pt. (SST).....	AR
9	01-1M5460-00001	Panel – False Ceiling (LH).....	1
10	01-1M5460-00002	Panel – False Ceiling (RH).....	1
11	01-100V16-0789C	Gasket – Loading Door (Horizontal).....	1
12	01-100V17-00266	Bushing $\frac{3}{8}$ NPT x $\frac{3}{4}$ NPT (Brass).....	1
13	01-1000V7-00027	Lamp – Oven (Complete) (Lens And Base).....	5
14	01-1000V7-00028	Bulb.....	AR
15	01-1M6119-00103	Cover – Bottom Header.....	1
16	01-1M6159-00101	Retainer – Gasket Loading Door (Vertical).....	2
17	01-1M6159-00103	Retainer – Gasket Horizontal.....	1
18	01-1M6119-00101	Header – Top Door Loading.....	1
19	01-100V17-00302	Elbow $\frac{3}{8}$ x 90 Deg.	1
20	01-1M5610-00201	Shim.....	1
21	01-100V17-00259	Plug – Pipe $\frac{3}{8}$ NPT (Brass).....	1
**22	01-1M5872-00101	Trim – Floor (Right).....	1
**23	01-1M5872-00102	Floor Trim (Rear).....	1
**24	01-1M5872-00103	Floor Trim (Left).....	1
25	01-1000V4-00283	Mach. Screw $\frac{1}{4}$ -20 x $\frac{3}{4}$ Hex Washer Hd. (SST).....	AR
26	01-1000V4-0073A	Tool – Setting ($\frac{1}{4}$ In.).....	1
27	01-1000V4-00073	Anchor – Drop-In.....	1
28	01-1M5869-00001	Floor – Single.....	1
29	01-1M6116-00001	Ramp Lock – Weldment.....	2
30	01-100V16-0789A	Gasket – Loading Door (Vertical).....	2
	01-1M2335-00001	Wheel – Forward (For Installation Only).....	1
	01-1M5872-00001	Floor Trim Kit (With Gasket 01-100V21-00073) (Incls. Items 22, 23, & 24).....	1
*	01-100V21-00073	Tape – Silicone Sponge (Use With Items 22, 23, & 24).....	AR
	01-1000V4-00074	Mach. Screw $\frac{1}{4}$ -20 x $\frac{3}{4}$ Phil. Flat Hd.....	4
	01-1M5872-00001	Kit – Floor Trim (Single) (Incls. Items 22, 23, & 24).....	1
	01-1M6242-0001B	Insulation Kit – Single Split.....	1

*Sold Per Inch.

**Gaskets are not included with floor trim parts, please order #01-100V21-00073 separately, or order floor kit #01-1M5872-00001.



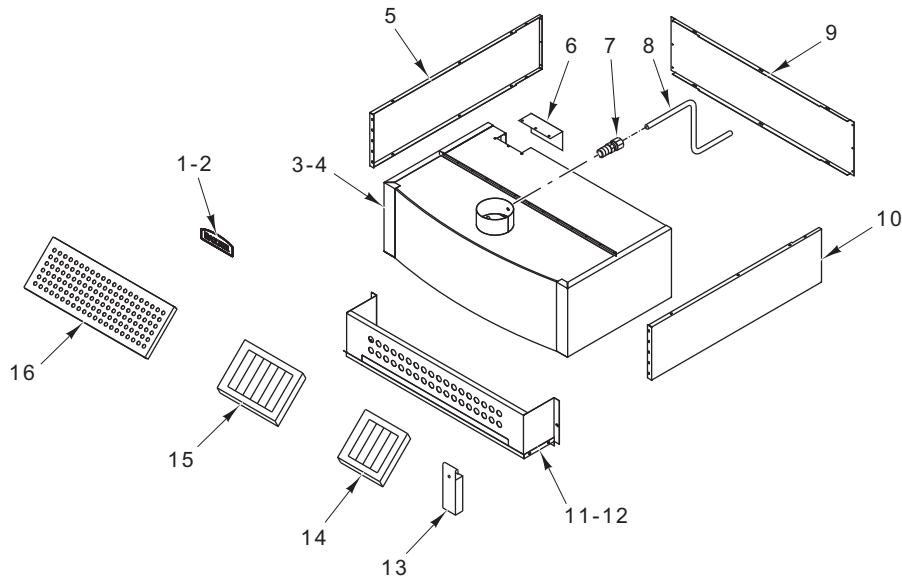
PL-59307

CABINET (ML-132499)

CABINET (ML-132499)

ILLUS. PL-59307	PART NO.	NAME OF PART	AMT.
1	01-1M5672-00003	Skin – Outer (Non-Symmetrical Flanges) (31 In.).....	1
2	01-1M5672-00001	Skin – Outer (Symmetrical Flanges) (20 In.)	1
3	01-1M5672-00004	Skin – Outer Drain	1
4	01-1M5672-00005	Panel – Outer Wall Split.....	1
5	01-1M5672-00001	Skin – Outer Side.....	1
6	01-1M5672-00001	Skin – Outer (Symmetrical Flanges) (31 In.)	1
7	01-1M5672-00003	Skin – Outer (Non-Symmetrical Flanges) (20 In.).....	1
*8	01-100V21-0065A	Tape (With Adhesive).....	AR
9	01-1000V4-00283	Mach. Screw 1/4-20 x 3/4 Hex Washer Hd. (SST).....	AR
10	01-100V17-00233	Pipe – Coupler (3/4 In.)	1
11	01-100V17-00540	Plug (3/4 In.) (Brass)	1
12	01-100V17-00259	Plug – Pipe 3/8 NPT (Brass)	1
13	01-1M6006-00001	Trim – Floor Assy. (RH).....	1
14	01-1M6006-00002	Trim Assy. – Rear Floor	1
15	01-1M6006-00003	Trim – Rear Floor (Left Rear).....	1
16	01-1M6006-00004	Trim – Front Floor (Left Front)	1
17	01-1M6159-00101	Retainer – Gasket Loading Door	2
18	01-100V17-00302	Elbow 3/8 x 90 Deg. (Front Drain).....	1
19	01-1M5610-00201	Shim.....	AR
20	01-1M6119-00201	Header – Loading Door Top.....	1
21	01-1M6119-00203	Cover – Header Bottom	1
22	01-100V16-0789B	Gasket – Loading Door (Horizontal)	1
23	01-100V16-0789A	Gasket – Loading Door (Vertical).....	2
24	01-1M6159-00102	Retainer – Gasket Horizontal.....	1
25	01-1000V4-00073	Anchor – Drop-In	1
26	01-1000V4-0073A	Tool – Setting (1/4 In.)	1
27	01-1M5928-00201	Skin – Floor (LH).....	1
28	01-1M5570-00001	Threshold Weldment.....	1
29	01-1M5928-00202	Skin – Floor (RH)	1
30	01-1000V7-00027	Lamp – Oven (Complete) (Lens And Base).....	5
31	01-1000V7-00028	Bulb.....	AR
	01-1M2335-00001	Wheel – Forward (For Installation Only)	1
	01-1M6062-00002	Skin – False Ceiling (LH)	1
	01-1M2131-00007	Skin – False Ceiling (RH)	1
	01-1M6242-0002B	Insulation Kit – Double Split.....	1
	01-1M6242-0001B	Insulation Kit – Single Split	1
	01-1M5610-00002	Kit – Threshold Weldment (With Install Hardware)	1

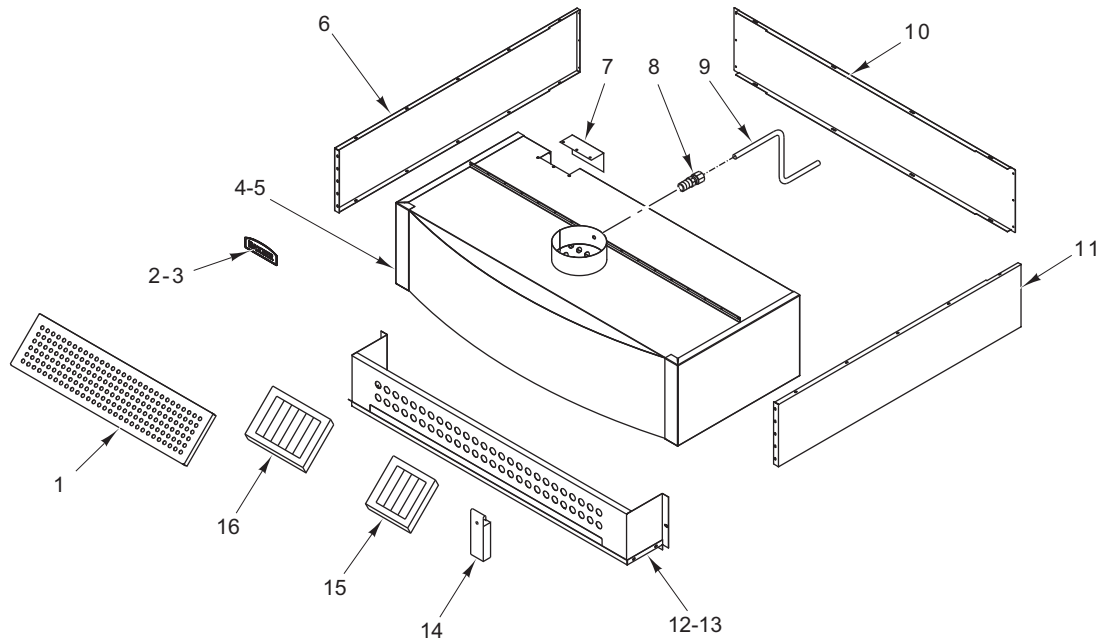
*Sold Per Foot.



PL-59308

HOOD (ML-132501)

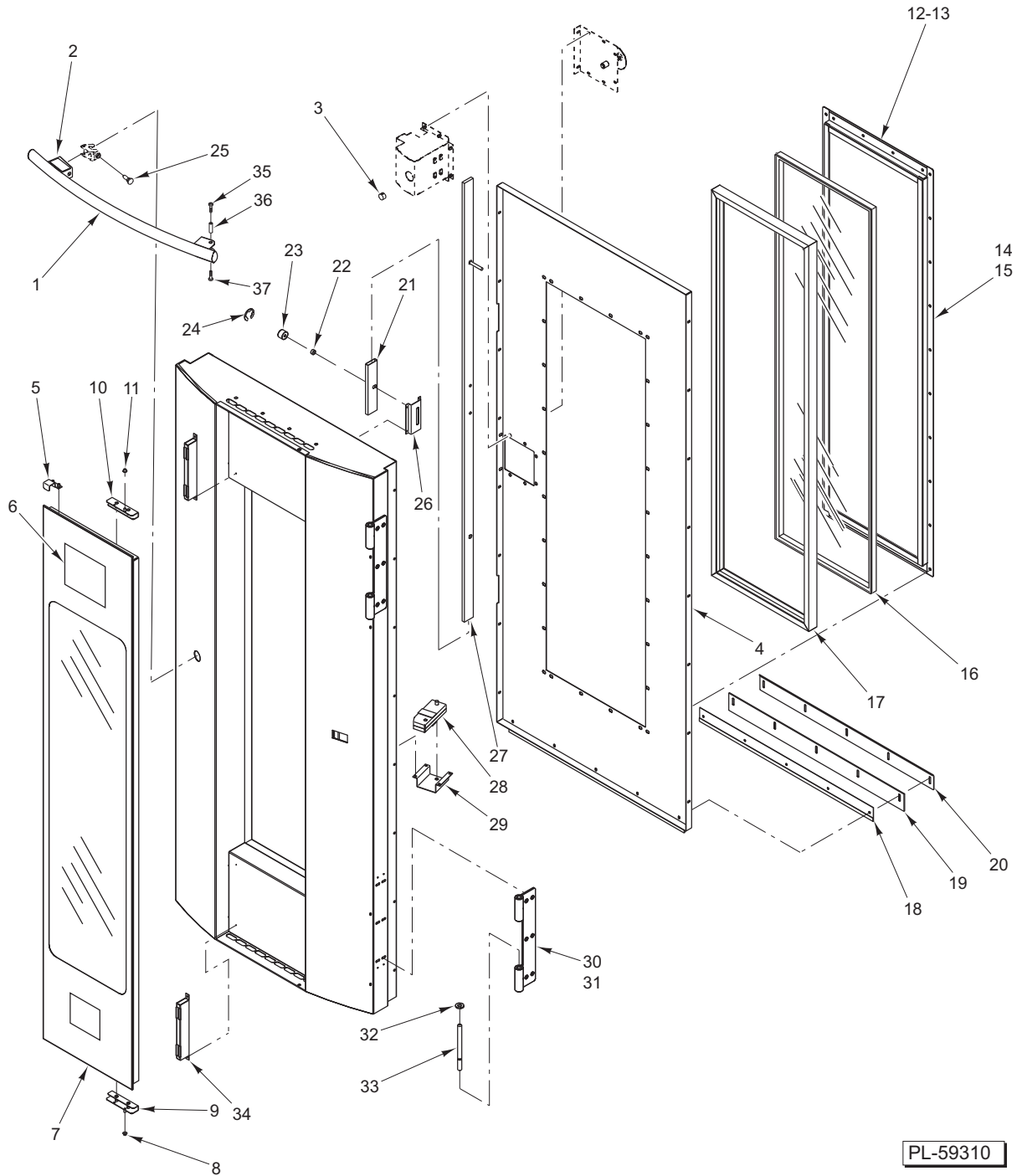
ILLUS.	PART NO.	NAME OF PART	AMT.
1	01-100V16-0772A	Nameplate – Baxter (9 In.).....	1
2	01-100V16-0772B	Nameplate – Baxter Curved (9 In.).....	1
3	01-1M6200-00001	Hood – Flat Front (30 In. Deep) Single (Incls. Items 1, 5, 9, & 10).....	1
4	01-1M6200-00003	Hood – Curved Front (30 In.) (Incls. Items 2, 5, 9, & 10).....	1
5	01-1M6115-00101	Trim – Hood Side Single.....	1
6	01-1M5925-00003	Hood – Cover Plate.....	1
7	FP-078-49	Fitting – Tube (1/4 In.) (Brass).....	1
8	01-100V17-00004	Tube 1/4 In. x 72 In. Lg. (Alum.).....	1
9	01-1M5352-00001	Trim – Rear.....	1
10	01-1M6115-00101	Trim – Hood Side Single.....	1
11	01-1M6113-00106	Baffle – Hood Panel Body.....	1
12	01-1M6113-00107	Baffle – Hood Panel Body.....	1
13	01-1M3032-00001	Cup – Hood Grease.....	1
14	01-100V18-00089	Filter – Hood 16 x 20 With Drop.....	1
15	01-100V18-00088	Filter – Hood 16 x 16 With Drop.....	2
16	01-1M6113-00103	Panel – Plenum Hood Single.....	1
	01-1M5931-00001	Kit – Grease Filter (Single) (Incls. Items 13, 14, & 15).....	1



PL-59309

HOOD (ML-132499)

ILLUS.	PART NO.	NAME OF PART	AMT.
1	01-1M6113-00213	Plenum – Panel Box	1
2	01-100V16-0772A	Nameplate – Baxter (9 In.).....	1
3	01-100V16-0772B	Nameplate – Baxter Curved (9 In.).....	1
4	01-1M6200-00002	Hood – Flat Front (30 In. Deep) Double (Incls. Items 1, 2, 6, & 10 thru 13)	1
5	01-1M6200-00004	Hood – Curved Front (30 In. Deep) Double (Incls. Items 3, 6, & 10 thru 13).....	1
6	01-1M6115-00201	Trim – Side.....	1
7	01-1M5925-00003	Hood – Cover Plate	1
8	FP-078-49	Fitting – Tube (1/4 In.) (Brass).....	1
9	01-100V17-00004	Tube 1/4 In. x 72 In. Lg. (Alum.).....	1
10	01-1M6115-00202	Trim – Rear.....	1
11	01-1M6115-00201	Trim – Side.....	1
12	01-1M6113-00211	Baffle – Hood Panel Body.....	1
13	01-1M6113-00212	Baffle – Hood Panel Body.....	1
14	01-1M3032-00001	Cup – Hood Grease.....	1
15	01-100V18-00089	Filter – Hood 16 x 20 With Drop	1
16	01-100V18-00088	Filter – Hood 16 x 16 With Drop	3
	01-1M5931-00002	Kit – Grease Filter (Double) (Incls. Items 14, 15, & 16).....	1



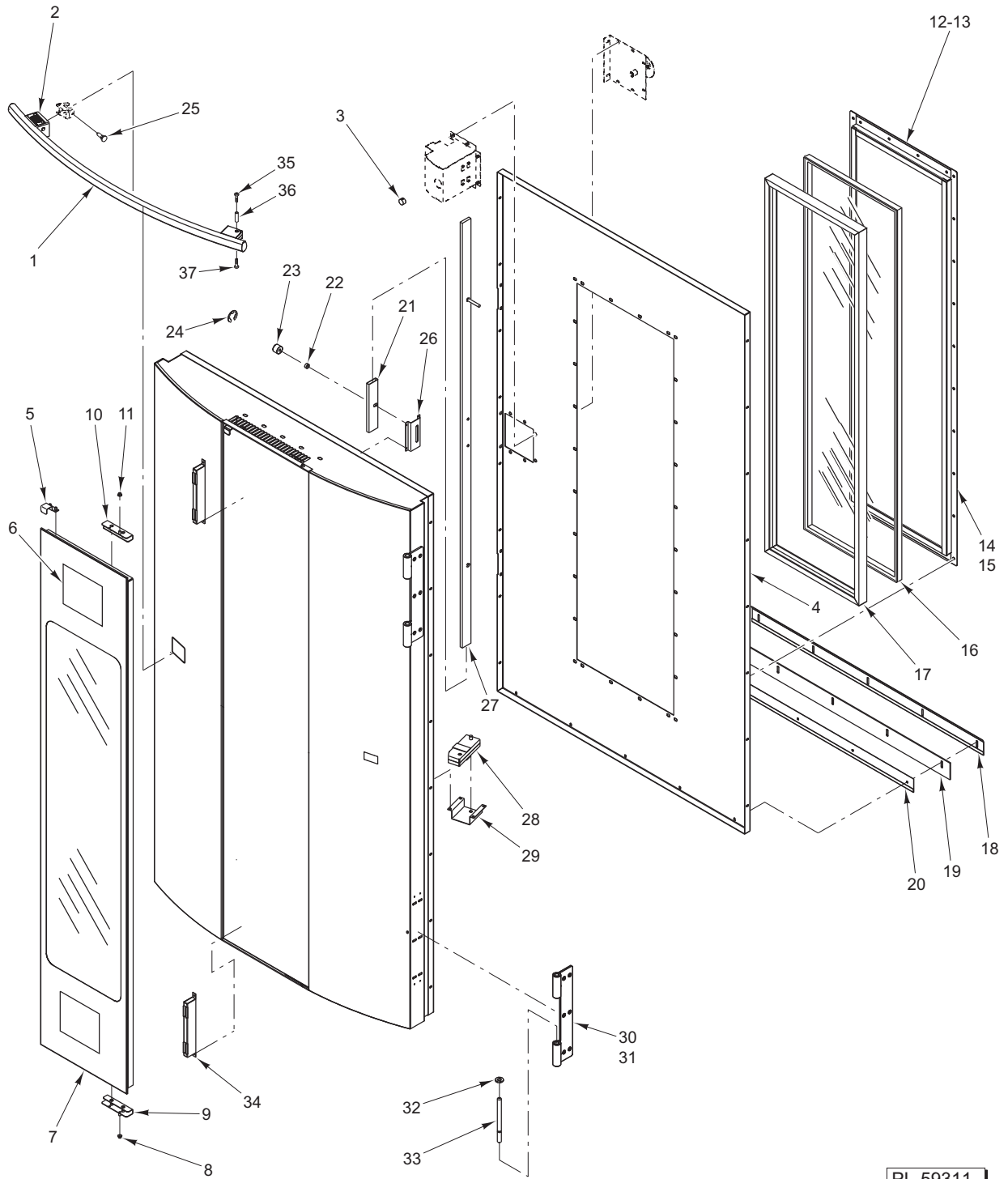
LOADING DOOR (ML-132501)

LOADING DOOR (ML-132501)

ILLUS. PL-59310	PART NO.	NAME OF PART	AMT.
1	01-1M6103-00001	Handle – Loading Door (Incls. Items 2 & 25).....	1
2	01-100V16-00259	Label – Warning.....	2
3	01-1M6101-00102	Plug – Handle Mount.....	1
4	01-1M6101-00101	Skin – Inner Door.....	1
5	01-1M6110-00005	Bracket (Glass Handle).....	1
6	01-100V16-0168C	Label – Caution Hot.....	4
7	01-1M6110-00001	Door – Access Loading Glass (Incls. Items 5, 6, 9, & 10).....	1
8	01-1000V0-00095	Bearing – Glass Pivot Sleeve.....	1
9	01-1M6110-00002	Pivot – Bottom.....	1
10	01-1M6110-00003	Pivot – Top.....	1
11	01-1000V0-00095	Bearing – Glass Pivot Sleeve.....	1
12	01-1M6106-00002	Retainer – Window Horizontal (Incls. Item 13).....	2
**13	01-100V21-0039A	Tape – Silicone Foam (1/8 x 3/4).....	10 In.
14	01-1M6105-00001	Retainer – Window Vertical (Incls. Item 15).....	2
**15	01-100V21-0039A	Tape – Silicone Foam (1/8 x 3/4).....	62 In.
16	01-100V16-00765	Glass – Double Pane Curved.....	1
*17	01-100V16-00766	Gasket – Window (One-Piece Fused Corners).....	1
18	01-1M6101-00112	Sweep – Inner Door.....	1
19	01-100V16-0779A	Gasket – Door Sweep.....	1
20	01-1M6101-00113	Sweep – Outer Door.....	1
21	01-1M6101-00110	Bearing – Lock Bar.....	2
22	01-1M6101-00111	Spacer – Roller Bearing.....	2
23	01-1000V0-00094	Bearing – Door Latch Roller.....	2
24	01-1000V1-00078	Clip – E-Door (Cam Roller).....	2
25	01-100V18-00187	Plunger – Spring Handle Lock.....	1
26	01-1M6101-00109	Lock – Retainer Bar.....	2
27	01-1M6107-00001	Bar – Lock.....	2
28	01-1M6166-00001	Bracket – Handle Pivot.....	1
29	01-1M6166-00002	Support – Handle Pivot.....	1
30	01-1M5918-00002	Hinge Assy. – Jamb Hinge (Incls. Item 31, 32, & 33).....	2
31	01-1M5918-00003	Hinge – Door (Female).....	2
32	01-1000V0-00080	Bearing – Door Hinge (Brass).....	4
33	01-1M5918-00201	Pin – Hinge Loading Door.....	4
34	01-1M6149-00001	Magnet – Outer Door Weldment.....	2
35	-	Mach. Screw 1/4 -20 x 1/2 Phil. Hd (SST).....	1
36	01-1M6101-00115	Pin – Handle Hinge (Curved).....	1
37	-	Mach. Screw 1/4 -20 x 1/2 Phil. Hd (SST).....	1
	01-1M6101-00001	Door Assy. (Incls. Items 1 thru 34 & 36).....	1
*	01-100V21-0065A	Tape – Fiberglass (1/8 x 1).....	18 Ft.
	01-1M5918-00004	Hinge Kit.....	1

*Sold Per Foot.

**Sold Per Inch.



PL-59311

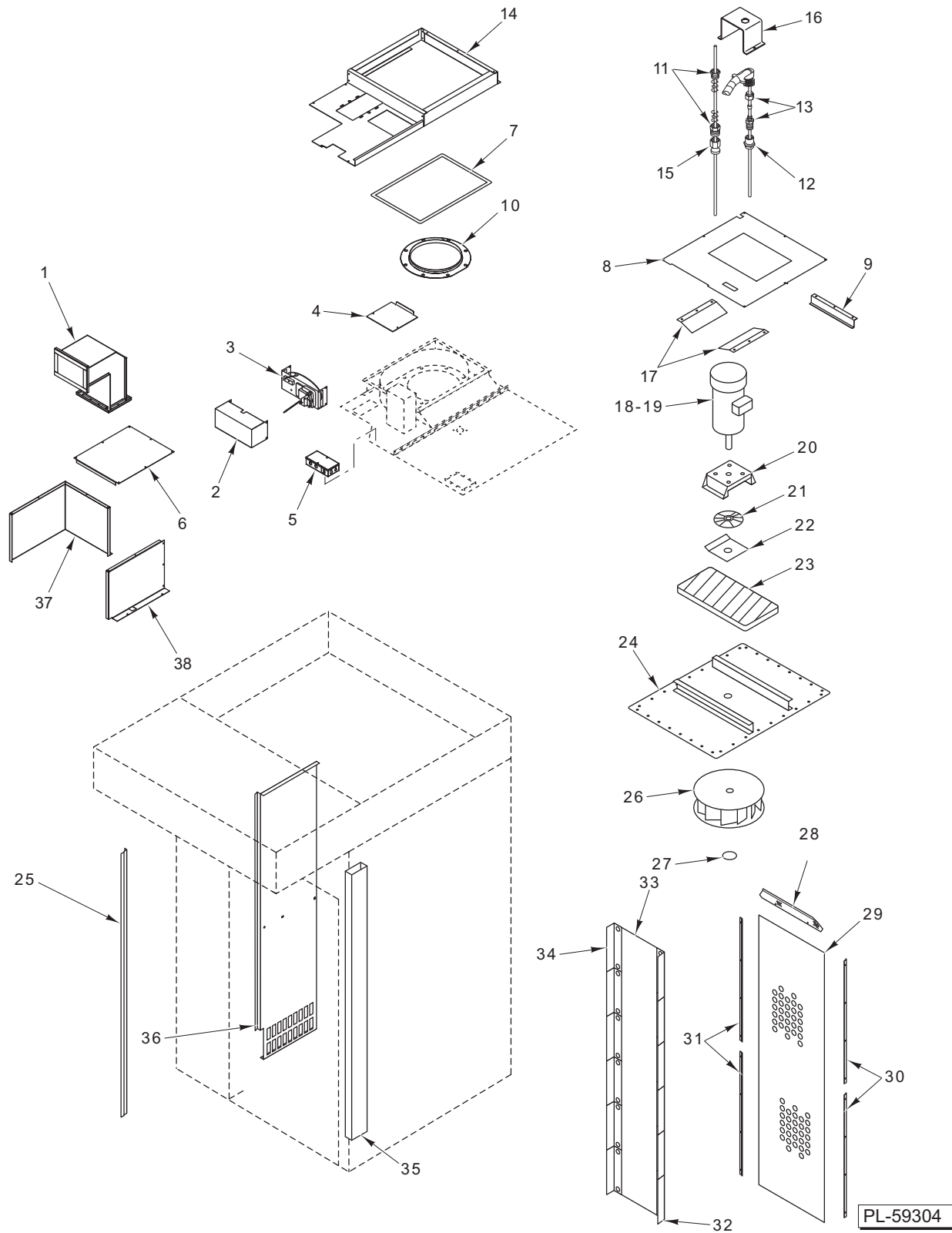
LOADING DOOR (ML-132499)

LOADING DOOR (ML-132499)

ILLUS. PL-59311	PART NO.	NAME OF PART	AMT.
1	01-1M6103-00002	Handle – Loading Door (Incls. Items 2 & 25).....	1
2	01-100V16-00259	Label – Warning.....	2
3	01-1M6101-00102	Plug – Handle Mount.....	1
4	01-1M6101-00201	Skin – Inner Door.....	1
5	01-1M6110-00005	Bracket (Glass Handle).....	1
6	01-100V16-0168C	Label – Caution Hot.....	4
7	01-1M6110-00001	Door – Access Loading Glass (Incls. Items 5, 6, 9, & 10).....	1
8	01-1000V0-00095	Bearing – Glass Pivot Sleeve.....	1
9	01-1M6110-00002	Pivot – Bottom.....	1
10	01-1M6110-00003	Pivot – Top.....	1
11	01-1000V0-00095	Bearing – Glass Pivot Sleeve.....	1
12	01-1M6106-00002	Retainer – Window Horizontal (Incls. Item 13).....	2
**13	01-100V21-0039A	Tape – Silicone Foam (1/8 x 3/4).....	10 In.
14	01-1M6105-00001	Retainer – Window Vertical (Incls. Item 15).....	2
**15	01-100V21-0039A	Tape – Silicone Foam (1/8 x 3/4).....	62 In.
16	01-100V16-00765	Glass – Double Pane Curved.....	1
*17	01-100V16-00766	Gasket – Window (One-Piece Fused Corners).....	1
18	01-1M6101-00203	Sweep – Outer Door.....	1
19	01-100V16-0779B	Gasket – Door Sweep.....	1
20	01-1M6101-00202	Sweep – Inner Door.....	1
21	01-1M6101-00110	Bearing – Lock Bar.....	2
22	01-1M6101-00111	Spacer – Roller Bearing.....	2
23	01-1000V0-00094	Bearing – Door Latch Roller.....	2
24	01-1000V1-00078	Clip – E-Door (Cam Roller).....	2
25	01-100V18-00187	Plunger – Spring Handle Lock.....	1
26	01-1M6101-00109	Lock – Retainer Bar.....	1
27	01-1M6107-00001	Bar – Lock.....	1
28	01-1M6166-00001	Bracket – Handle Pivot.....	1
29	01-1M6166-00002	Support – Handle Pivot.....	1
30	01-1M5918-00002	Hinge Assy. – Jamb Hinge (Incls. Item 31, 32, & 33).....	2
31	01-1M5918-00003	Hinge – Door (Female).....	2
32	01-1000V0-00080	Bearing – Door Hinge (Brass).....	4
33	01-1M5918-00201	Pin – Hinge Loading Door.....	4
34	01-1M6149-00002	Magnet – Outer Door Weldment (Double).....	2
35	-	Mach. Screw 1/4 -20 x 1/2 Phil. Hd (SST).....	1
36	01-1M6101-00115	Pin – Handle Hinge (Curved).....	1
37	-	Mach. Screw 1/4 -20 x 1/2 Phil. Hd (SST).....	1
	01-1M6101-00002	Door Assy. (Incls. Items 1 thru 34 & 36).....	1
*	01-100V21-0065A	Tape – Fiberglass (1/8 x 1).....	18 Ft.
	01-1M5918-00004	Hinge Kit.....	1

*Sold Per Foot.

**Sold Per Inch.



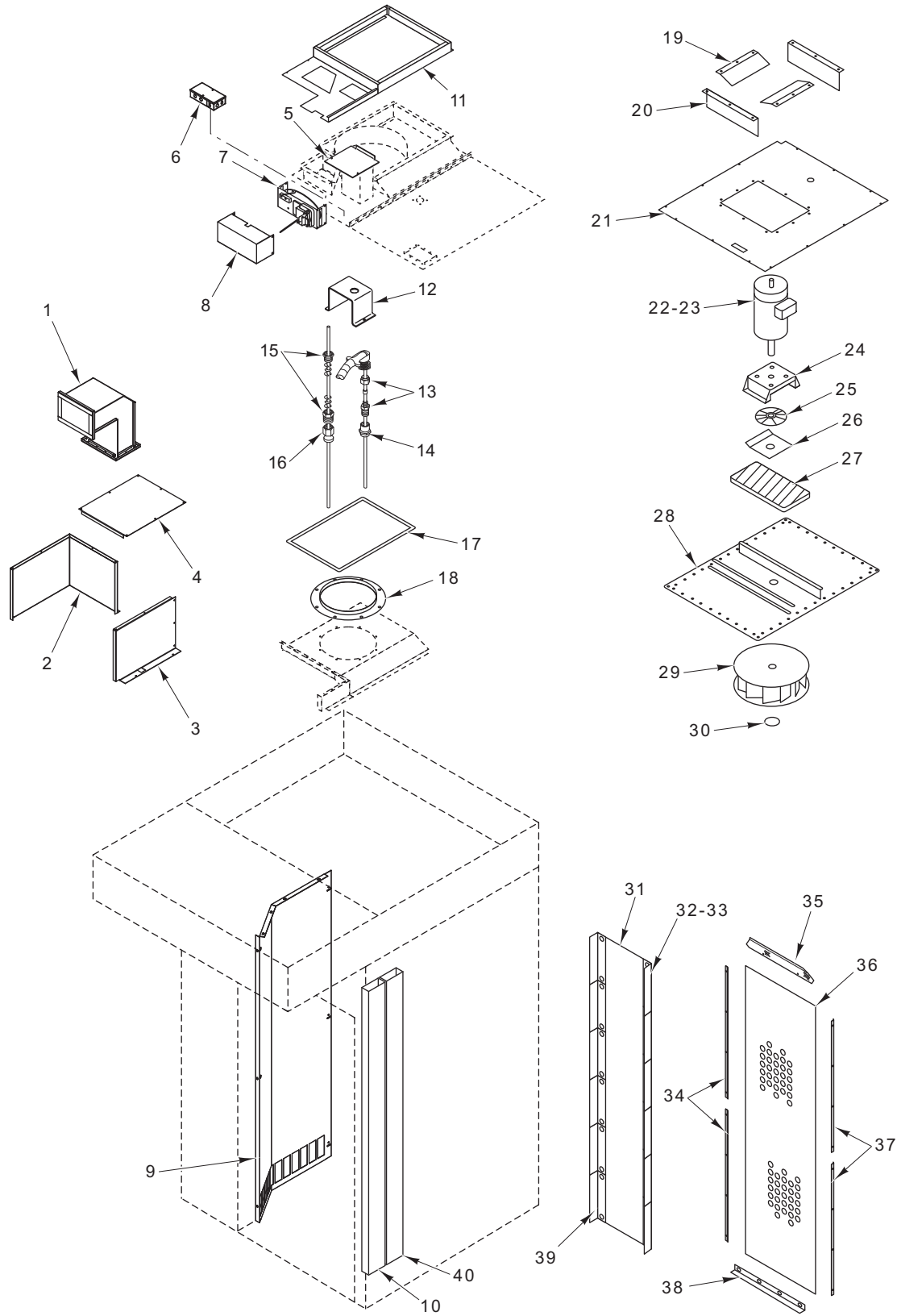
BLOWER, PANELS, AND VENTS (ML-132501)

PL-59304

BLOWER, PANELS, AND VENTS (ML-132501)

ILLUS.	PART NO.	NAME OF PART	AMT.
	PL-59304		
1	01-1M6170-00001	Duct – Vent	1
2	01-1M5101-00001	Cover – Vent Bracket.....	1
3	01-1M5514-00002	Vent – Motor Actuator Assy.....	1
4	01-1M5834-00001	Vent – Intake Lid	1
5	01-1M5525-00001	Box – Junction	1
6	01-1M2224-00001	Duct – Top.....	1
*7	01-100V21-0065A	Tape – Teflon 1/8 x 1	AR
8	01-1M5542-00001	Cover – Blower Insulation.....	1
9	01-1M2227-00001	Liner – Blower Insulation	2
10	01-1M2451-00001	Bell – Inlet	1
11	01-100V17-00304	Kit – Stuffing Box	1
12	01-100V17-00257	Coupling 1/4 NPT (Brass).....	1
13	01-100V17-00279	Fitting 1/4 x 3/16	1
14	01-1M6141-00001	Body – Insulation Blower Cover (LH).....	1
15	01-100V17-00281	Coupler – Reducer.....	1
16	01-1M1433-00001	Protector – Thermocouple	1
17	01-1M1895-00001	Cover – Blower Insulation.....	2
18	01-1000V8-00052	Motor – Blower (3 Ph., 1 1/2 Hp.)	1
19	01-1000V8-00067	Motor – Blower (1 Ph., 2 Hp.)	1
20	01-1M1360-00001	Mount – Blower Motor.....	1
21	01-1M2458-00001	Heat Slinger Assy.....	1
22	01-1M1794-00001	Cover – Blower Insulation.....	1
23	01-1M1795-00001	Insulation – Blower	1
24	01-1M2059-00001	Mount – Blower Weldment.....	1
25	01-1M5476-00001	Bracket – Mounting (Suction Panel)	1
26	01-1000V8-00041	Wheel – Blower (15 In. Dia.).....	1
27	01-1000V1-00028	Ring – Snap	1
28	01-1M2101-00004	Z-Bar (Pressure Panel).....	1
29	01-1M2572-00001	Screen – Pressure Panel.....	1
30	01-1M2479-00002	Retainer – Pressure Screen (RH).....	2
31	01-1M2479-00003	Retainer – Pressure Screen (LH)	2
32	01-1M5459-00002	Shutter – Pressure Panel 97 Deg.....	6
33	01-1M5523-00001	Body – Pressure Panel Shutter Support.....	1
34	01-1M5459-00001	Shutter – Pressure Panel 90 Deg. (#2 Bend At 7 Deg.)	6
35	01-1M2089-00001	Duct – Bottom Vent.....	1
36	01-1M5473-00001	Panel – Suction.....	1
37	01-1M2223-00001	Duct – Body	1
38	01-1M2222-00001	Duct – Side	1
	01-1M2060-00002	Blower Assy. (3 Ph.) (Incls. Items 18, 20 thru 24, 26, & 27).....	1
	01-1M2060-00004	Blower Assy. (1 Ph.) (Incls. Items 19 thru 24, 26, & 27).....	1
	01-1M5827-0001A	Vent Switch – Replacement Kit.....	1
	01-1M5827-00101	Bracket – Vent Switch.....	1
	01-100V16-00682	Gasket – Vent Duct.....	1
	01-1000V6-00233	Contacto – Blower	1
	01-1M5458-00001	Panel – Pressure Shutter Assy. (Incls. Items 32, 33, & 34)	1
	01-1M5515-00001	Thermocouple Assy. – Conduit	1
	01-1M2466-00001	Cover – Outer Exhaust Hole.....	1
	01-1M5607-00001	Harness – Conduit Blower	1
	01-1M5608-00001	Harness – Conduit Vent.....	1
	01-1M5609-00001	Harness – Conduit Water Supply.....	1

* Sold Per Inch



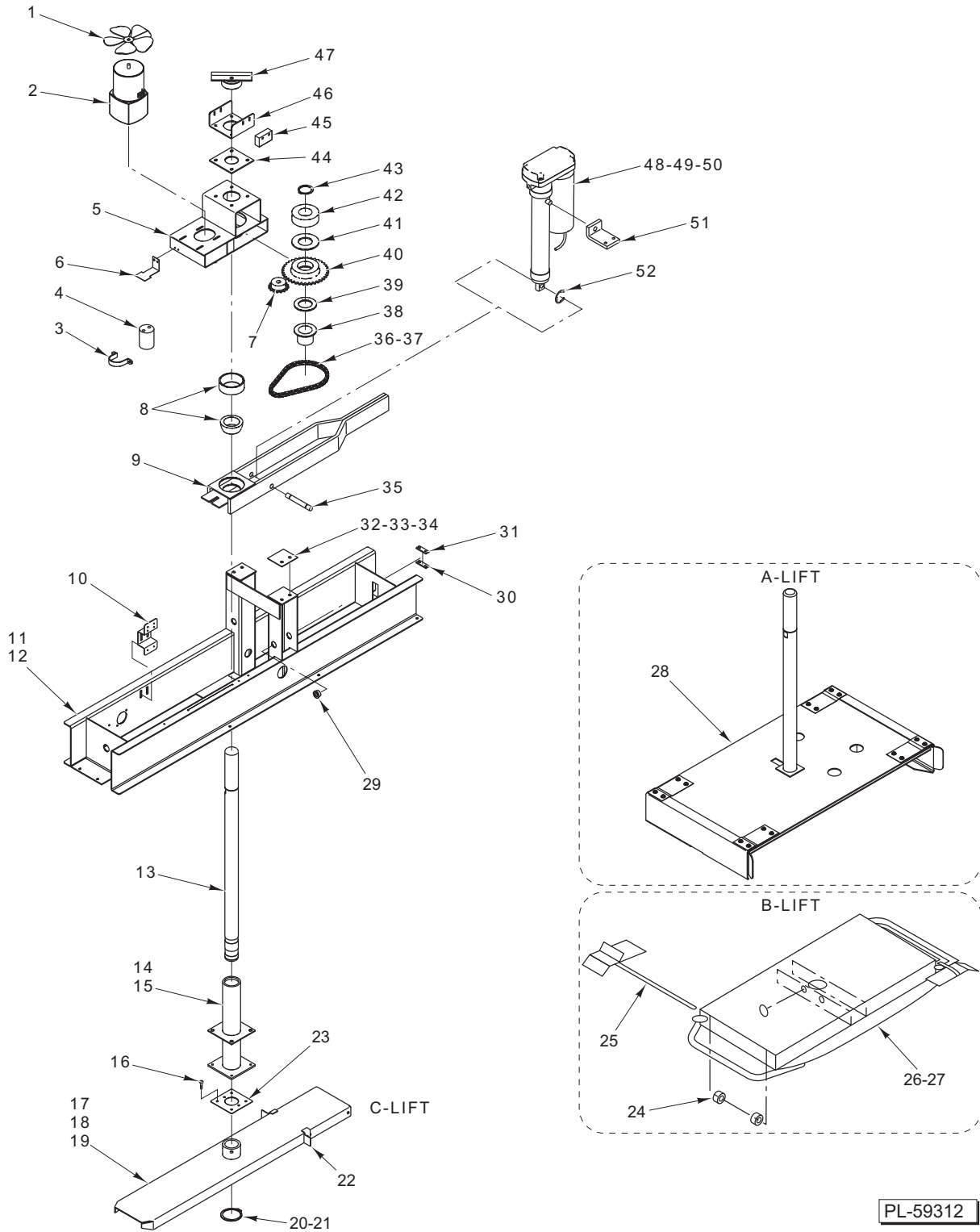
PL-59317

BLOWER, PANELS, AND VENTS (ML-132499)

BLOWER, PANELS, AND VENTS (ML-132499)

ILLUS.	PART NO.	NAME OF PART	AMT.
	PL-59317		
1	01-1M6170-00001	Duct – Vent Top.....	1
2	01-1M2223-00001	Duct – Body	1
3	01-1M2222-00001	Duct – Side	1
4	01-1M2224-00001	Duct – Top.....	1
5	01-1M5834-00001	Vent – Intake Lid.....	1
6	01-1M5525-00001	Box – Junction	1
7	01-1M5514-00002	Vent – Motor Actuator Assy.....	1
8	01-1M5101-00001	Cover – Vent Bracket.....	1
9	01-1M6063-00002	Panel – Suction.....	1
10	01-1M2089-00001	Duct – Bottom Vent (Without Obrounds)	1
11	01-1M6141-00002	Body – Insulation Blower Cover Double (LH)	1
12	01-1M1433-00001	Protector – Thermocouple	1
13	01-100V17-00279	Fitting $\frac{1}{4} \times \frac{3}{16}$	1
14	01-100V17-00257	Coupling $\frac{1}{4}$ NPT (Brass).....	1
15	01-100V17-00304	Kit – Stuffing Box	1
16	01-100V17-00281	Coupler – Reducer.....	1
*17	01-100V21-0065A	Tape – Teflon $\frac{1}{8} \times 1$	AR
18	01-1M2451-00002	Bell – Inlet	1
19	01-1M1895-00001	Cover – Blower Insulation.....	2
20	01-1M2227-00001	Liner – Blower Insulation Cover.....	2
21	01-1M6154-00201	Cover – Blower Insulation.....	1
22	01-1000V8-00052	Motor – Blower (3 Ph., $1\frac{1}{2}$ Hp.)	1
23	01-1000V8-00067	Motor – Blower (1 Ph., 2 Hp.)	1
24	01-1M1360-00001	Mount – Blower Motor.....	1
25	01-1M2458-00001	Heat Slinger Assy.....	1
26	01-1M1794-00001	Cover – Blower Insulation.....	1
27	01-1M1795-00001	Insulation – Blower	1
28	01-1M5026-00001	Mount – Blower Weldment.....	1
29	01-1000V8-00058	Wheel – Blower (18 In. Dia.).....	1
30	01-1000V1-00028	Ring – Snap	1
31	01-1M2096-00002	Body – Shutter Panel Support	1
32	01-1M5459-00002	Shutter – Pressure Panel.....	6
33	01-1000V4-00122	Insert – Threaded $\frac{1}{4}$ -20	24
34	01-1M5686-00206	Retainer – Pressure Panel.....	2
35	01-1M5686-00207	Retainer – Pressure Panel Top	1
36	01-1M2572-00001	Screen – Pressure Panel.....	1
37	01-1M5686-00206	Retainer – Pressure Panel.....	2
38	01-1M5686-00205	Retainer – Pressure Panel.....	1
39	01-1M5459-00001	Shutter – Pressure Panel.....	6
40	01-1M2566-00001	Duct – Side (With Obrounds).....	1
	01-1M5025-00001	Blower Assy. (3 Ph.) (Incls. Items 22 & 24 thru 30).....	1
	01-1M5025-00002	Blower Assy. (1 Ph.) (Incls. Items 23 & 24 thru 30).....	1
	01-1M5177-00001	Pressure Panel Assy. (Incls. Items 31, 32, 33, & 39).....	1
	01-100V16-00682	Gasket – Vent Duct.....	1
	01-1M5827-0001A	Kit – Vent Switch Replacement.....	1
	01-1M2466-00001	Cover – Outer Exhaust Hole.....	1
	01-1M5600-00001	Bracket – High Limit.....	1
	01-1M5607-00002	Harness – Conduit Blower	1
	01-1M5608-00001	Harness – Conduit Vent.....	1
	01-1M5609-00001	Harness – Conduit Water Supply.....	1

* Sold Per Inch.

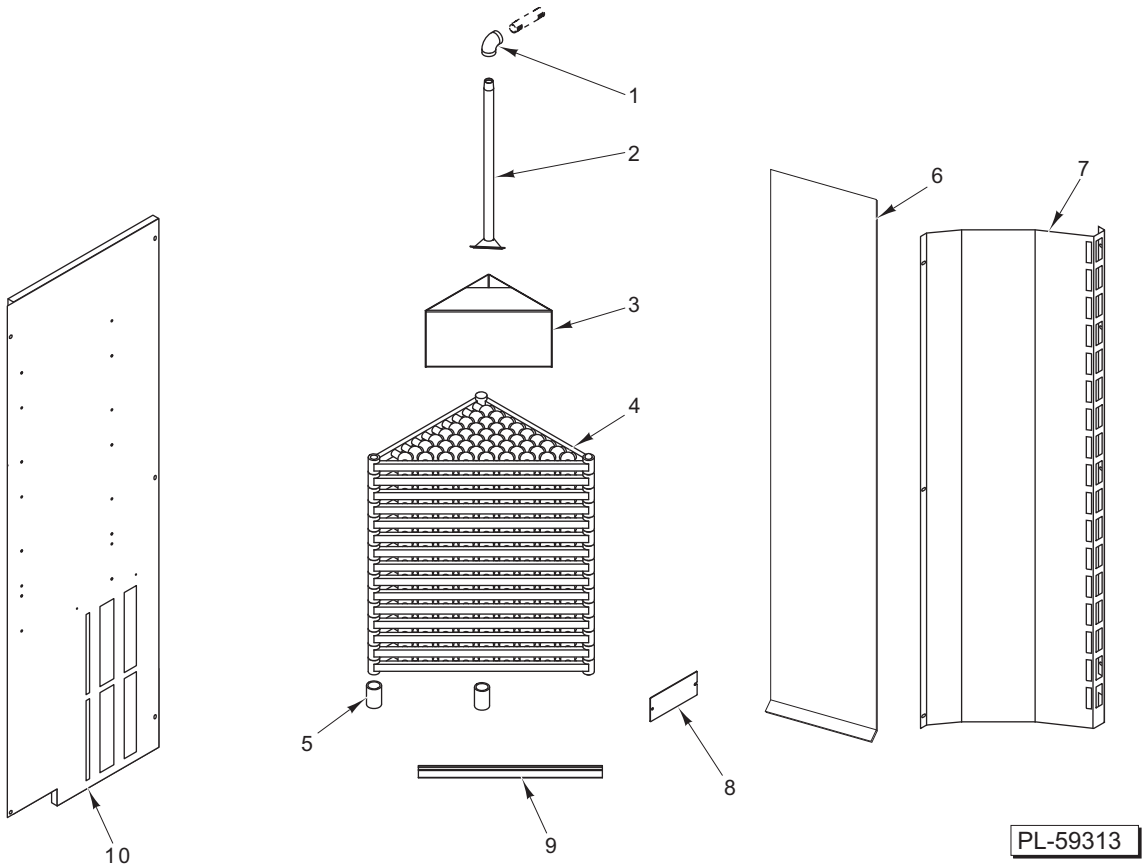


LIFTER, ROTATOR, AND CARRIER

LIFTER, ROTATOR, AND CARRIER

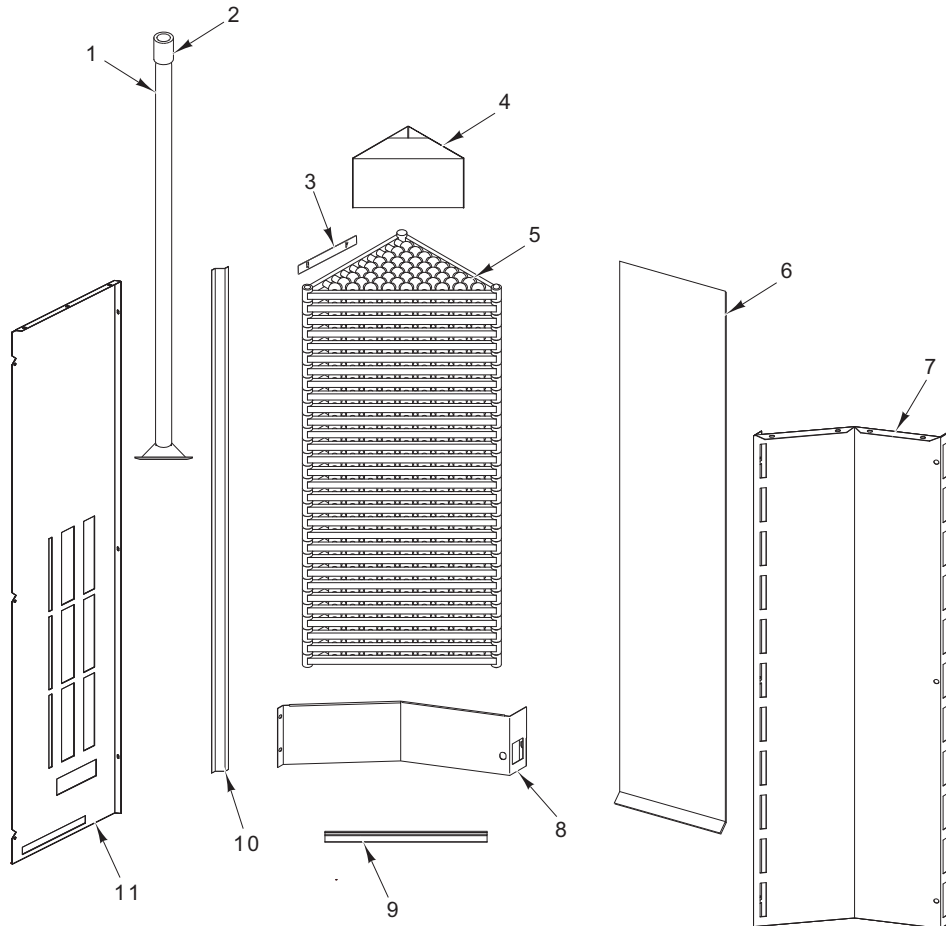
ILLUS. PL-59312	PART NO.	NAME OF PART	AMT.
1	01-1000V8-00056	Blade – Fan 5½ In. Dia.....	1
2	01-1000V8-00110	Gear Motor.....	1
3	01-1000V8-0049D	Bracket – Mounting.....	1
4	01-1000V8-00111	Capacitor	1
5	01-1M2114-00001	Rotator – Weldment Lifter	1
6	01-1M2489-00001	Actuator – Micro-Switch.....	1
7	01-1000V3-00105	Sprocket.....	1
8	01-1000V0-00051	Bushing – Spherical.....	1
9	01-1M2304-00001	Arm	1
10	01-1M2296-00002	Bracket – Micro-Switch	1
11	01-1M2298-00001	Weldment – Lifter (ML-132501).....	1
12	01-1M2298-00002	Weldment – Lifter (ML-132499).....	1
13	01-1M2797-00001	Shaft (Standard 28.35 - 28.41).....	1
14	01-1M2140-00001	Housing – Rotator Shaft (Incls. Item 15).....	1
15	01-1000V0-00055	Bearing – Rotator Shaft	2
16	01-1000V4-00283	Mach. Screw ¼-20 x ¾ Hex Washer Hd. (SST).....	6
17	01-1M4862-00002	Rack – Carrier (C Style) (ML-132501)	1
18	01-1M4862-00001	Rack – Carrier (C Style) (ML-132499).....	1
19	01-1M4862-00007	Lift – Carrier (Double Models Only) (Panera Bread Only)	2
20	01-100V15-00048	Plug – Nickel-Plated (For ¾ Hole) (B-Carriers)	4
21	01-100V15-00047	Plug – Nickel-Plated (For 1.25 Hole) (C-Carriers)	2
22	01-1M4862-00201	Stop – Rack Carrier (C Style Carrier) (ML-132501).....	1
23	01-1M1899-00001	Clamp – Rotator Housing	2
24	01-1000V1-00013	Collar – Set (½ In.) (B-Carriers).....	4
25	01-1M2580-00002	Stop – Rack Carrier (B-Carriers)	2
26	01-1M2796-00001	Rack – Carrier (B Style) (ML-132501)	1
27	01-1M2796-00002	Rack – Carrier (B Style) (ML-132499).....	1
28	01-1M5363-00001	Rack – Carrier (A Style) (ML-132499)	1
29	01-1000V5-00166	Bushing – Plastic Snap (9/16 In.).....	1
30	01-1M2731-00001	Strip	1
31	01-1M2730-00001	Plate.....	1
*32	01-1M2766-00003	Shim (24-Ga. Steel).....	AR
*33	01-1M2766-00002	Shim (24-Ga. Steel).....	AR
*34	01-1M2766-00001	Shim (16-Ga. Steel).....	AR
35	01-1M2290-00001	Shaft – Pivot (Linear Actuator Support)	1
36	01-1000V3-0087A	Chain – Roller 20⅛ In.	1
37	01-1000V3-00088	Link – Connecting	1
38	01-1000V0-00054	Bearing – Flanged	1
39	01-1000V0-00068	Washer – Thrust	1
40	01-1M2228-00001	Sprocket.....	1
41	01-1M2265-00001	Clutch – Slide.....	1
42	01-1M2264-00001	Collar – Set	1
43	01-1000V1-00004	Ring – Snap (1½ In.).....	1
44	01-1M1927-00001	Plate – Teflon	1
45	01-1000V6-00001	Micro-Switch	2
46	01-1M5085-00001	Plate – Rotator.....	1
47	01-1M5201-00001	Pointer	1
48	01-1000V8-00046	Linear Actuator (ML-132501).....	1
49	01-1000V8-00140	Actuator – Ball Drive (Incls. Item 50) (ML-132499).....	1
50	01-1000V8-0140A	Actuator – Ball Drive Capacitor.....	1
51	01-1M2289-00001	Angle – Linear Actuator Support.....	2
52	01-1000V1-00037	Ring – Snap ½ In. Dia.	2
	01-1M5133-00001	Lifter Assy. (Incls. Items 9, 12, 30 thru 35, 49, 50, & 51) (ML-132499).....	1
	01-1M5133-00002	Lifter Assy. (Incls. Items 9, 11, 30 thru 35, 48, & 51) (ML-132501).....	1
	01-1000V5-00023	Pad – Mounting (For Wire Ties).....	6
	01-1000V5-00014	Tie – Cable (ML-132499).....	6
	01-1M2750-00001	Side – Lifter Cover	2
	01-1M2751-00002	Front – Lifter Cover.....	1
	01-1M6146-00001	Back – Lifter Cover	1
	01-1M2229-00004	Rotator Assy. – Lifter (Incls. Items 3 thru 6, 8, 13, 36 thru 44, & 46).....	1

*This part used intermittently and in varying quantities. Most lifter assemblies will not require this part, but a few will require one. A very few will require more than one.



STEAMER ASSEMBLY (ML-132501)

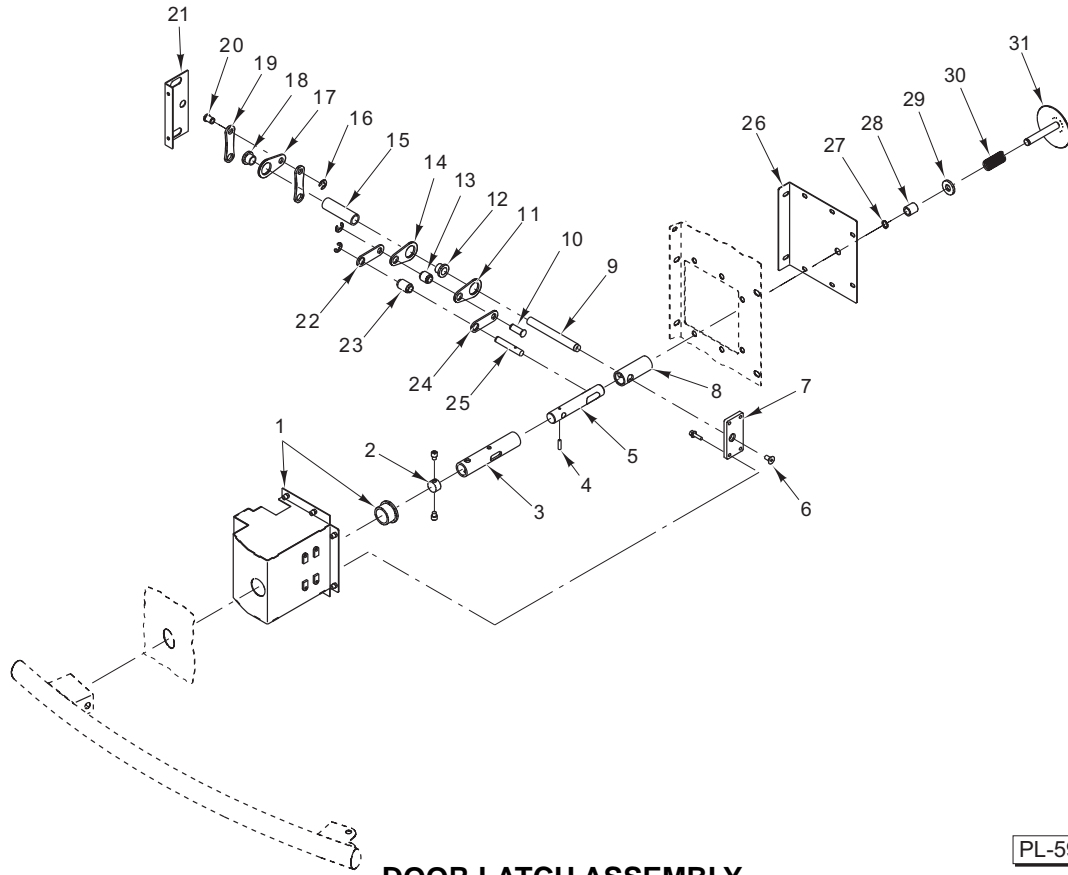
ILLUS.	PART NO.	NAME OF PART	AMT.
PL-59313			
1	01-100V17-00347	Elbow 1/2 In. x 90 Deg.	1
2	01-1M5146-00101	Manifold – Steamer Weldment.....	1
3	01-1M5198-00001	Box Weldment – Steamer.....	1
4	01-100V16-00529	Casting – Steamer.....	15
5	01-1M5536-00001	Support – Steamer Castings.....	2
6	01-1M5475-00001	Sheet – Splash.....	1
7	01-1M5474-00001	Panel – Steamer.....	1
8	01-1M5446-00002	Plate – Steam Loader Bolt Cover.....	1
9	01-1M5065-00001	Bracket – Water Guide.....	7
10	01-1M5471-00001	Panel – Rear Steamer.....	1
	01-1M2161-00001	Screw – Leveler.....	1



PL-59314

STEAMER ASSEMBLY (ML-132499)

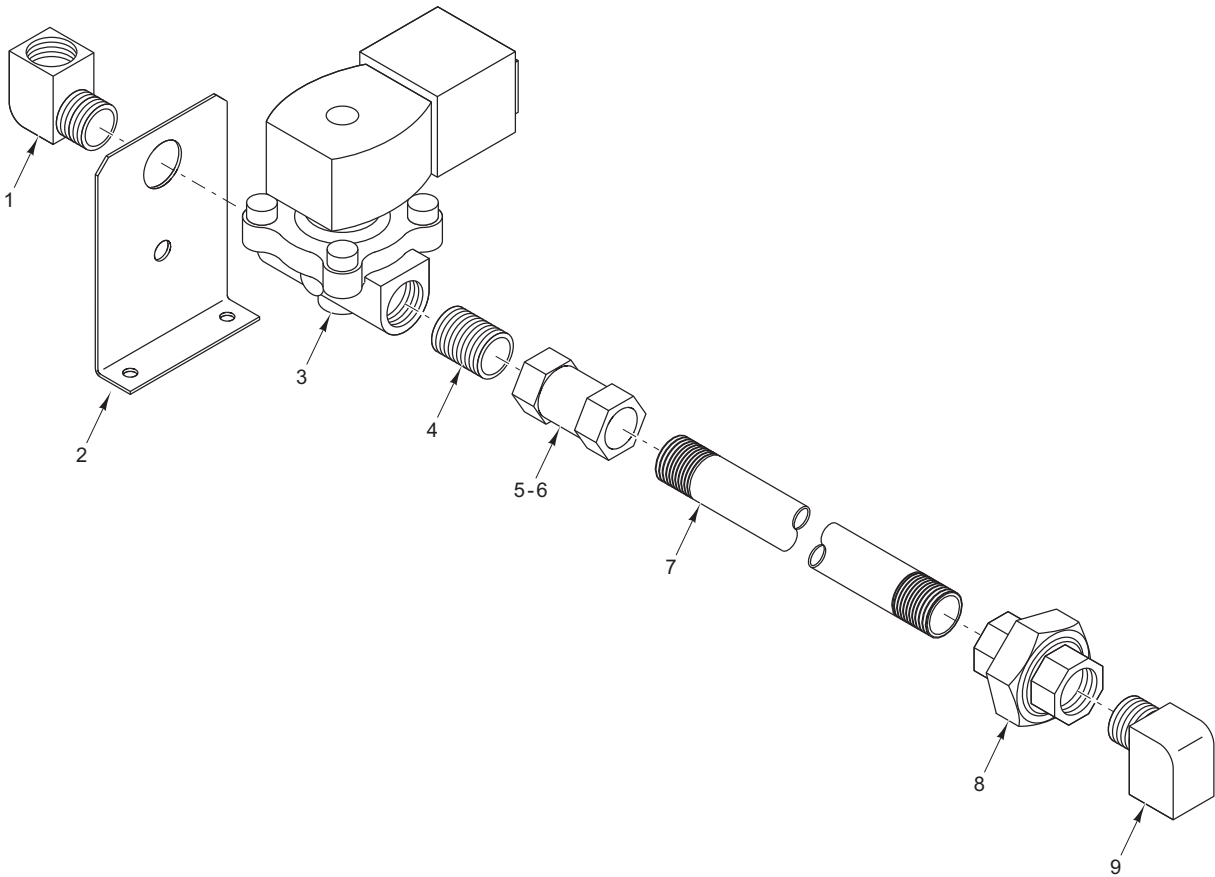
ILLUS.	PART NO.	NAME OF PART	AMT.
PL-59314			
1	01-1M5146-00001	Manifold Assy. – Steamer (Incls. Item 2).....	1
2	01-100V17-00183	Coupler 1/2 In. (SST).....	1
3	01-1M5171-00001	Angle – Shutter Casting (Top Section).....	1
4	01-1M5198-00001	Box Weldment – Steamer.....	1
5	01-100V16-00529	Casting – Steamer.....	30
6	01-1M5067-00001	Sheet – Splash.....	1
7	01-1M6065-00002	Panel – Steamer Outer.....	1
8	01-1M6066-00002	Panel – Steamer Pan.....	1
9	01-1M5065-00001	Bracket – Water Guide.....	15
10	01-1M5939-00002	Angle – Shutter Casting.....	1
11	01-1M6064-00002	Panel – Steamer (Rear).....	1
	01-1M2161-00001	Screw – Leveler.....	1



DOOR LATCH ASSEMBLY

PL-59315

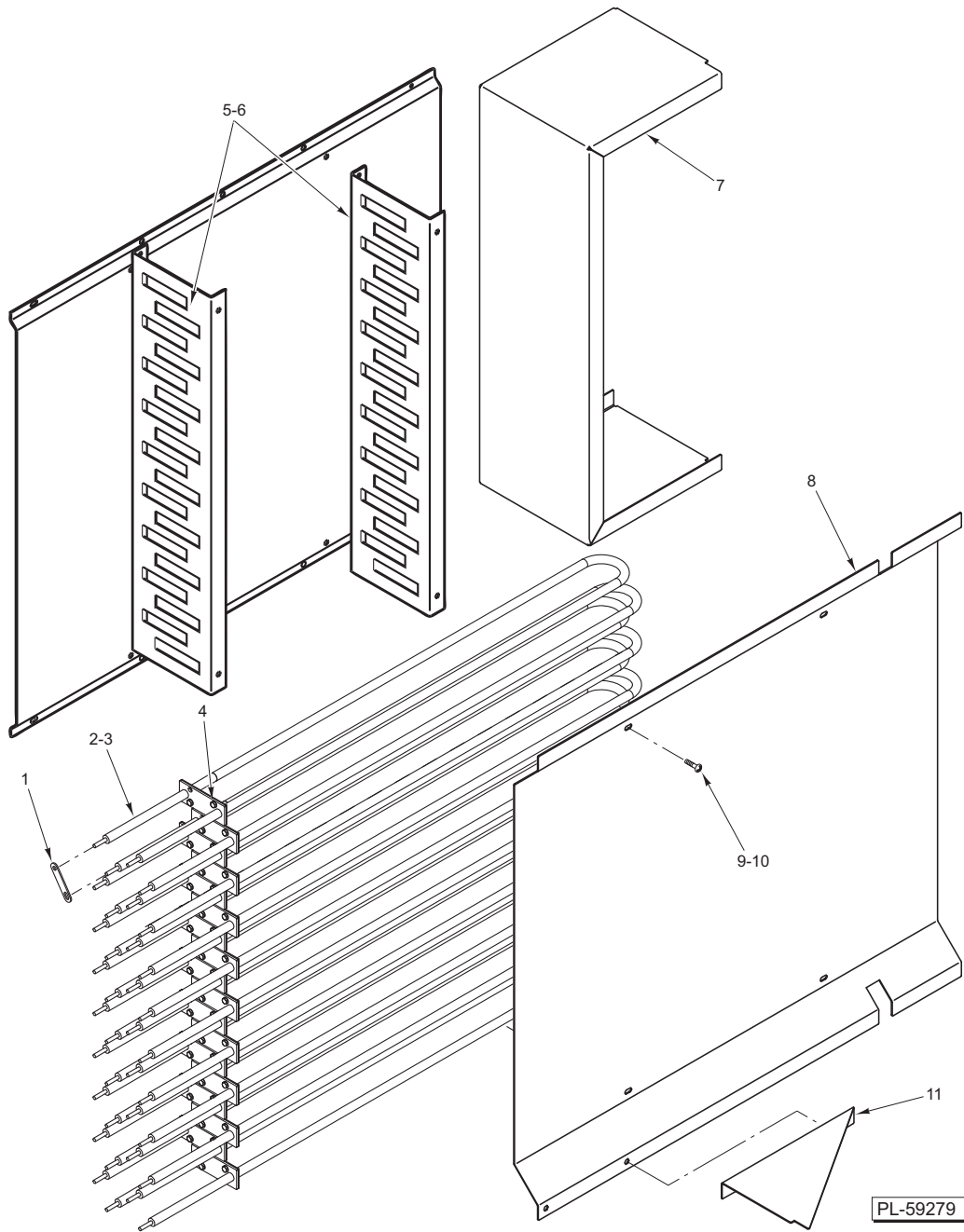
ILLUS.	PART NO.	NAME OF PART	AMT.
PL-59315			
1	01-1M6108-00006	Latch – Mechanism Box (Incls. items 2 thru 25).....	1
2	01-1M6101-00102	Plug – Handle Mount (Latch Side).....	1
3	-	Tube – Latch Assembly.....	1
4	-	Tube – Latch Assembly.....	1
5	01-1M6108-00005	Tube – Latch Assembly (Incls. Items 3, 4, & 25).....	1
6	-	Latch Assembly – Pivot Rod.....	1
7	01-1M6108-00004	Latch Assembly – Pivot Rod (Incls. Items 6 & 9).....	1
8	01-1M6108-00117	Latch – Tube Stop.....	1
9	-	Latch Assembly – Pivot Rod.....	1
10	01-1M6108-00118	Arm Pin – Latch.....	1
11	01-1M6108-00003	Weldment – Latch Mechanism Pivot (Incls. Items 12 thru 15, 17, & 18).....	1
12	-	Weldment – Latch Mechanism Pivot.....	1
13	-	Weldment – Latch Mechanism Pivot.....	1
14	-	Weldment – Latch Mechanism Pivot.....	1
15	-	Weldment – Latch Mechanism Pivot.....	1
16	01-1000V0-00091	Clip – External 3/8 E Style.....	3
17	-	Weldment – Latch Mechanism Pivot.....	1
18	-	Weldment – Latch Mechanism Pivot.....	1
19	01-1M6108-00115	Latch – Arm Plate Lock Bar.....	2
20	01-1M6108-00110	Arm Pin – Latch.....	1
21	01-1M6108-00101	Bracket – Shaft Support.....	1
22	01-1M6108-00002	Weldment – Latch Arm (Incls. Items 23 & 24).....	1
23	-	Weldment – Latch Arm.....	1
24	-	Weldment – Latch Arm.....	1
25	01-1M6108-00111	Arm Pin – Latch (Long).....	1
26	01-1M6101-00103	Plate – Door Latch.....	1
27	01-1000V1-00074	Clip.....	1
28	01-1M6111-00102	Spacer – Inner Handle.....	1
29	01-1M1436-00001	Seal – Inner Door Handle.....	1
30	01-100V20-00010	Spring – Compression 7/16 O.D.....	1
31	01-1M6112-00001	Button – Inner Handle.....	1
	01-1M6111-00001	Handle – Interior Door (Incls. Items 26 thru 31).....	1



PL-59316

EXTERIOR WATER SUPPLY

ILLUS. PL-59316	PART NO.	NAME OF PART	AMT.
1	01-100V17-00322	Elbow 1/2 Street (Brass).....	1
2	01-1M5818-00101	Bracket – Water Supply Support (ML-132499).....	1
3	01-100V17-00274	Valve – Solenoid – Water (2-Way) (120 V.).....	1
4	01-100V17-00288	Nipple 1/2 Dia. Close (Brass).....	1
5	01-100V17-00567	Regulator – Flow 1/2 NPTF (2 G.P.M.) (ML-132501).....	1
6	01-100V17-00568	Regulator – Flow 1/2 NPTF (3 G.P.M.) (ML-132499).....	1
7	01-100V17-00570	Nipple 1/2 In. Dia. x 6 In. (Brass).....	1
8	01-100V17-00286	Union 1/2 Dia. NPT (Brass).....	1
9	01-100V17-00322	Elbow 1/2 Street (Brass).....	1
	01-1M5818-00001	Water Supply (2 G.P.M.) (ML-132501).....	1
	01-1M5818-00002	Water Supply (3 G.P.M.) (ML-132499).....	1
	01-1000V16-00706	Label – Backflow Protection.....	1



HEATING ELEMENTS

ILLUS.	PART NO.	NAME OF PART	AMT.
PL-59279			
1	01-1M5578-00001	Jumper – Heater	AR
2	01-100V10-0228A	Element – Heating (208 V., 2850 W.) (18 For Double, 12 For Single)	AR
3	01-100V10-0228B	Element – Heating (240 V., 2850 W.) (18 For Double, 12 For Single)	AR
4	-	Screw 10-32 (With Lockwasher)	38
5	01-1M5411-00001	Channel – Element Support (ML-132501)	2
6	01-1M5411-00002	Channel – Element Support (ML-132499)	2
7	01-1M5410-00001	Baffle – Rear Filler	1
8	01-1M5407-00002	Baffle – Side (RH)	1
9	01-1000V4-00121	Insert Threaded 10-32 Hex	8
10	-	Mach. Screw 10-32 x 1/2 Phil. Truss Hd.	8
11	01-1M5406-00001	Baffle – Corner Filler (ML-132499)	1