



# HL1 Series

## hotLOGIX HEATED HOLDING CABINETS

(non-insulated aluminum with mechanical controls)

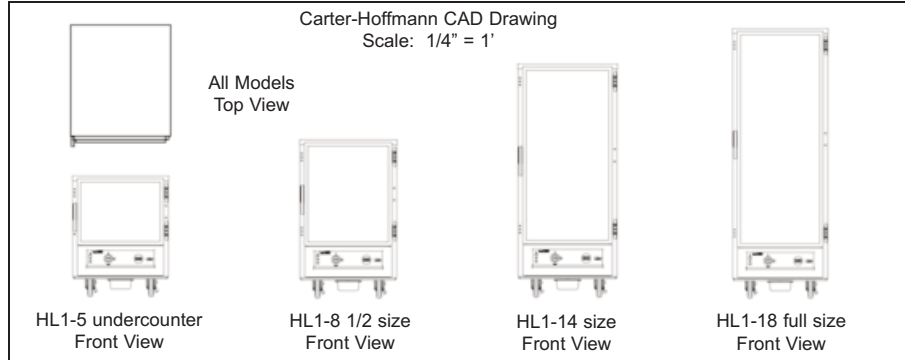
CARTER-HOFFMANN



FOOD SERVICE EQUIPMENT  
HOLDING CABINETS

# SPECIFICATIONS

Printed in U.S.A. E71 0816  
Carter-Hoffmann is a trademark  
of Carter-Hoffmann LLC



Model Number	Pan/Tray Capacity		Spacing		Inside Working Height		Overall Dimensions						Caster Diameter		Shipping Weight	
	12"x20"	18"x26"	in	mm	in	mm	Height	Depth	Width	in	mm	in	mm	in	mm	lbs
HL1-5	10	5	3	76	15 <sup>5</sup> / <sub>16</sub>	389	31 <sup>5</sup> / <sub>8</sub>	803	29 <sup>1</sup> / <sub>2</sub>	749	24 <sup>11</sup> / <sub>16</sub>	627	5	127	99	45
HL1-8	16	8	3	76	24 <sup>5</sup> / <sub>16</sub>	634	40 <sup>5</sup> / <sub>8</sub>	1032	29 <sup>1</sup> / <sub>2</sub>	749	24 <sup>11</sup> / <sub>16</sub>	627	5	127	137	62
HL1-14	28	14	3	76	44	1118	58 <sup>5</sup> / <sub>8</sub>	1489	29 <sup>1</sup> / <sub>2</sub>	749	24 <sup>11</sup> / <sub>16</sub>	627	5	127	155	70
HL1-18	36	18	3	76	54 <sup>1</sup> / <sub>2</sub>	1384	70 <sup>5</sup> / <sub>8</sub>	1780	29 <sup>1</sup> / <sub>2</sub>	749	24 <sup>11</sup> / <sub>16</sub>	627	5	127	198	90

**CONSTRUCTION...**Welded & riveted single wall, non-insulated cabinet construction with cabinet welded to base.

**CABINET MATERIAL...**All aluminum interior and exterior double wall, insulated construction; .063 aluminum exterior with 2V finish.

**BASE FRAME...**.125 natural aluminum

**CASTERS...**5" diameter casters with rubber tread. Four swivel casters. Two casters fitted with brakes.

**DOOR...**Single panel tempered glass door set in extruded aluminum frame. Field reversible. Drip trough at base of door. High temperature santoprene gasket mounted to door.

**HINGES...**Adjustable edge mount hinges with chrome plate finish.

**LATCH...**Heavy-duty edge mount latch with magnetic catch.

**DRIP TROUGH...** Full width aluminum drip trough with 1/2" drain located in center. Located at base of cabinet. Includes plastic catch pan.

**TRAY RACK ASSEMBLIES...** Universal wire slides at fixed spacing of 3". Assemblies removable. Hold 18"x26" sheet pans, 12"x20" steam table pans, 2/1 or 1/2 G/N pans.

**THERMOMETER...**Digital thermometer with remote sensing bulb and sensing bulb protector. Displays temperature in one degree increments.

**CONTROLS...**Dial type controls. Single dial for heat setting.

**HEATING SYSTEM...**Bottom mounted heater with one 1700 watt coiled incoloy-sheathed heating element. High impedance protected fan motor. Blower fan circulates air. Full range thermostat and on/off switch with power indicating light. Dial control for heat settings.

**ELECTRICAL CHARACTERISTICS...** Operates on 120 volts, 60 cycle, single phase, 1750 watts, 15 amps. Eight foot rubber cord with 3 prong grounding plug. NEMA 5-20P. See low wattage options below.

**PERFORMANCE...**Capable of heating to 190°F (88°C). Preheat to 160°F (71°C) in approximately 30 minutes. Low wattage options will affect cabinet performance.

**ACCESSORIES/OPTIONS...**

- Solid aluminum door with black anodized finish on interior and exterior
- Adjustable universal tray slides for 12"x20" and 18"x26" pans; 3" spacing
- Fixed angle slides for 18"x26" pans at 1.5" spacing
- Low wattage: 120v, 1500w, 12.5A, NEMA 5-15P
- CSA low wattage: 120v, 1400w, 12A, NEMA 5-15P
- Dutch doors (HL1-18 only)

Specifications subject to change through product improvement & innovation.



**CARTER-HOFFMANN**  
1551 McCormick Ave., Mundelein, IL 60060  
(847) 362-5500 • (800) 323-9793 • Fax (847) 367-8981  
[www.carter-hoffmann.com](http://www.carter-hoffmann.com)

# FEATURES & BENEFITS

## HL1 Series hotLOGIX HEATED HOLDING CABINETS (non-insulated aluminum with mechanical controls)

*Since 1947, Foodservice Equipment That Delivers!*

**PRECISION ENGINEERED HEAT DUCT SYSTEM...** Heat duct provides even and efficient heating throughout the entire cabinet for safe and consistent results.

**FOUR SIZES...** Logix1 series cabinets are available in under-counter, 1/2 size, 3/4 size and full size.



**HL1-18**  
(full size cabinet)

**FIELD REVERSIBLE DOOR...** Wobble-free single pane tempered glass door for easy viewing of cabinet contents, with magnetic door latch and heavy-duty hinges. Full perimeter santoprene gasket attached to door for best seal.

**EASY-TO-USE DIAL CONTROL...** Simple analog dial for heat setting and master on/off switch. Temperature range of 85°F to 190°F. Recessed angle control panel with easy to read digital thermometer.



**PAN SLIDES...** Universal wire slide at fixed spacing of 3". Assemblies removable. Hold 18"x26" sheet pans, 12"x20" steam table pans, 2/1 or 1/2 G/N pans. Adjustable universal stainless steel pan slides or fixed angle slides are optional.



Standard universal wire slides



Optional stainless steel adjustable universal slides



Optional fixed angle slides

1551 McCormick Avenue, Mundelein, Illinois 60060  
Tel. (847)362-5500 • (800)323-9793 • Fax (847)367-8981  
[www.carter-hoffmann.com](http://www.carter-hoffmann.com)

