

Cleaning, Operating, Maintenance Instructions, Parts List & Warranty



CARTER-HOFFMANN CORP.

NOTE:

This equipment has been designed and manufactured to meet all applicable health and safety codes and will give years of dependable service if used properly. This cart should be thoroughly cleaned before it is used.

Heated Carts with TH15 Top Mount Heater

Models Include:

*PH188, PH1820, PH1840
with flush door*

*PH1835
with non-flush door*

Cleaning Instructions



WARNING

The heater should not be exposed to direct contact with water or cleaning sprays. Permanent damage to the electrical components will result.



CAUTION

Cleansers, detergents, degreasers, sanitizers, or bleaching agents that contain chlorides or phosphates will cause permanent damage to stainless steel products. The damage appears as pits, eruptions, voids, small holes, cracks, severe discoloration, or dulling of the metal finish. Water with high chloride content can also damage stainless steel. If unsure of your water quality, we recommend you have it tested. THIS DAMAGE IS PERMANENT, COSTLY TO REPAIR, AND IS NOT COVERED BY THE WARRANTY.

1. Before cleaning, unplug heating unit.
2. Racks are easily removed without tools for cleaning. Simply lift up and pull out. The tray slides may be hand washed or run through an automatic washer.
3. Vinyl trim should be washed with a chlorine-free detergent and water. Rinse thoroughly with clear water and allow to dry. Never use abrasive cleaners, waxes, car polish, or substances containing strong aromatic solvents or alcohol.
4. To clean stainless steel surfaces use only cleansers, detergents, degreasers, or sanitizers that are certified to be "chloride-free" and "phosphate-free," and cleansers, degreasers, or sanitizers only in the recommended concentrations. DO NOT exceed recommended concentrations or mixing ratios. After cleaning and sanitizing, rinse all exposed surfaces thoroughly with large amounts of clear water. Wipe off any standing liquid or residue from all surfaces, corners, or near edges.

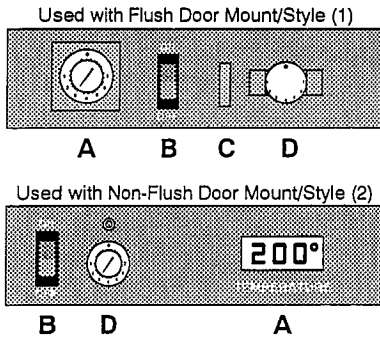
RECOMMENDED "TIPS" FOR CLEANING STAINLESS STEEL

| Purpose | Frequency | Cleaning Agent | Method of Application |
|---------------------------|--------------------|--|--|
| Routine cleaning | Daily | Soap, ammonia detergent and water | Sponge with cloth, rinse with clear water and wipe dry. |
| Smears/fingerprints | As Needed | Vista, Stainless Shine or similar products | Rub with cloth as directed on package. Rub in direction of grain of stainless steel. Do not use on vinyl trim. |
| Stubborn spots and stains | Daily As Needed | Household cleaners or Goddards Stainless Steel Care. Revere Stainless Cleaner or similar products. | Apply with damp sponge or cloth. Rub in direction of polish lines. Rinse thoroughly after use, especially if cleaner contains chlorine bleach. Do not use on vinyl trim. |
| Hard water spots | Daily As Needed | Vinegar | Swab with cloth. Rinse with water and wipe dry. |



CAUTION: *Do not use steel wool pads as they will result in rusting from the ferrous metal in the pads.*

Heater/Cabinet Operations

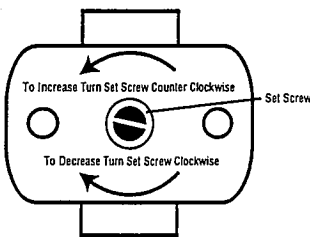
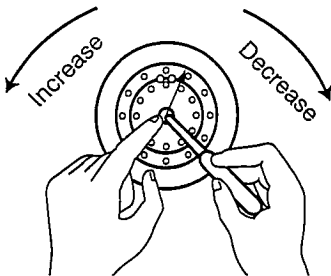


NOTE:

This unit is designed for HOLDING hot foods. To insure best results, be sure your food containers and covers are at or above the desired holding temperature and the cabinet is completely pre-heated.

1. Familiarize yourself with the heater controls.
 - A. Dial Thermometer/Digital Thermometer
 - B. On/Off Switch
 - C. White Indicator Light/Red Indicator Light
 - D. Thermostat
2. Plug heater into a proper power source. Remove water pan from interior of cabinet, fill halfway with warm water and return to cart.
3. Turn power switch on. The fan motor will operate continuously. The white indicator light will cycle with the heat element.
4. To pre-heat the cabinet, turn the thermostat to "7" and heat for 45 minutes. Be sure the cabinet door is closed securely.
5. Food serving temperature will vary with the mass, type and quantity of food served. Set the thermostat for the desired hold setting. Clockwise to increase the temperature and counter-clockwise to decrease the temperature.
6. During loading, the cabinet temperature will drop. Try not to move the cabinet right away; wait 10-15 minutes until the cabinet recovers air temperature.
7. Be sure to remove the plug from the outlet and wind the cord on the cord bracket or push handle before moving the cart. Move the cart to the service area as quickly as possible.
8. Upon reaching the serving area, unwind the power cord and reconnect the heater as quickly as possible. Wait 5-10 minutes (check the thermometer to see if the temperature is at the desired level). If not; adjust the thermostat as required.
9. When removing items, start at the bottom and work to the top position. This keeps food hotter and eliminates spillage on lower items.

Calibrations



A THERMOMETER CALIBRATION

Place an oven thermometer in the center of the cabinet. Turn heater on; turn thermostat to maximum setting and wait approximately 45 minutes. Open the door and check inside thermometer temperature. If recalibration is required, pry the plastic cover off the dial body and with a small flat blade screwdriver insert into the pointer as shown. Carefully turn the pointer with your finger to the correct setting. Be careful not to bend the pointer, it is very fragile.

B THERMOSTAT CALIBRATION

If additional heat range is required in the heating unit, unplug unit, remove black thermostat knob, insert small straight blade screwdriver into opening and turn limit control set screw **counter clockwise** one full turn. Replace thermostat knob and turn clockwise to reach new maximum temperature. Repeat this until desired temperature is reached. Each 1/4 turn of the calibration set screw will raise the element heating capacity by approximately 25-35°F.

If a reduction of heat is desired, turn limit control set screw **clockwise** one full turn. Hold the door open allowing unit to cool until inside temperature is below the temperature desired. Close the door and allow unit to rise to new maximum temperature. Repeat this until desired temperature is reached.

Maintenance Instructions

A CASTERS

Some casters are equipped with Zerk grease fittings so that they may be easily lubricated with a grease gun. Recommended lubrication is at least once every six months. Lubrication will be required more frequently if carts are cleaned with a hot water or steam cleaning system. Casters with special bearings are recommended for frequent cart wash or steam cleaning situations.

B LATCHES

Check frequently to insure that all door latches are secure. Latches may become "sticky" due to residue buildup from daily use and cleaning. Lubricate latches regularly with WD-40, silicone spray, graphite or other commercial lubricants for stainless steel products. Do not use oil.

C PERIMETER BUMPERS

Vinyl which has been dislodged from the channel due to severe bumping or scraping can be pried back into place with a common screwdriver.

Replacement Parts

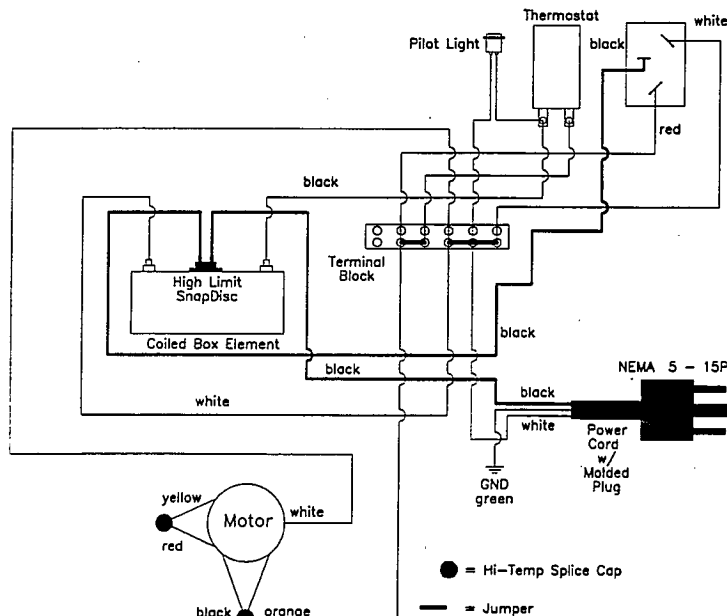
TH15 TOP MOUNT HEATER:

PH188, 1820, 1840 WITH FLUSH MOUNT DOOR

| Part Number | Description | Part Number | Description |
|-------------|---------------------------------|-------------|--------------------------------|
| 27080-1001 | TH15 Heater 120 Volt | 18608-0010 | Thermostat Knob |
| 27080-1002 | TH15Y Heater 220 Volt | 18600-0046 | HI-Limit (300° Manual Reset) |
| 16500-8273 | Heater Cover | 18616-0015 | Dial Thermometer |
| 16500-8276 | Control Panel | 18602-0055 | Lighted On/Off Switch 120 Volt |
| 18314-0070 | Water Pan | 18602-0056 | Lighted On/Off Switch 220 Volt |
| 18614-0320 | Fan Motor - Dual Volt | 18601-0070 | Indicating Light 120 Volt |
| 18614-0321 | Fan Blade | 18601-0080 | Indicating Light 220 Volt |
| 18614-0306 | Fan Blade Housing | 18605-0010 | Power Cord w/Plug 120 Volt |
| 18612-0096 | Heat Element 120 Volt/1500 Watt | 18605-0015 | Power Cord w/Plug 220 Volt |
| 18612-0110 | Heat Element 220 Volt/1500 Watt | 16500-8266 | Cord Wrap |
| 18600-0010 | Thermostat | I1000-0539 | Wiring Diagram |

Wiring Diagram

TOP MOUNT HEATERS FOR FLUSH MOUNT DOORS I1000-0539

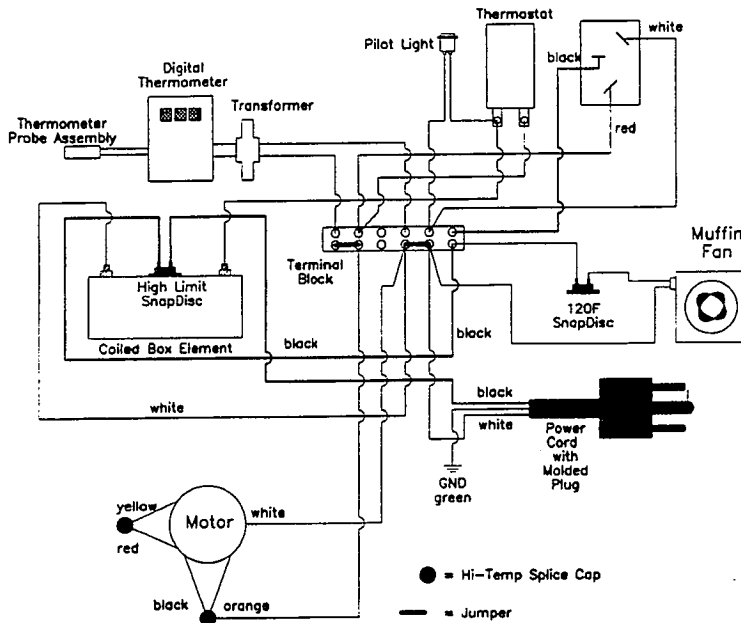


Replacement Parts

**TH15 TOP MOUNT HEATER:
PH1835 WITH NON-FLUSH DOOR**

Wiring Diagram

TOP MOUNT HEATERS FOR NON-FLUSH DOOR MOUNT I1000-0733



| Part Number | Description |
|-------------|---------------------------------|
| 27080-2020 | TH15 Heater 120 Volt |
| 27080-2021 | TH15Y Heater 220 Volt |
| 16501-6685 | Heater Cover |
| 16501-4832 | Control Panel |
| 18312-0153 | Vinyl Control Panel Overlay |
| 18314-0070 | Water Pan |
| 18614-0320 | Fan Motor - Dual Volt |
| 18614-0321 | Fan Blade |
| 18614-0306 | Fan Blade Housing |
| 18614-0314 | Cooling Fan 120 Volt |
| 18614-0315 | Cooling Fan 220 Volt |
| 18600-0042 | Cooling Fan Sensor (Snap Disc) |
| 18600-0046 | HI-Limit (300° Manual Reset) |
| 18612-0096 | Heat Element 120 Volt/1500 Watt |
| 18612-0111 | Heat Element 208 Volt/1500 Watt |
| 18612-0110 | Heat Element 240 Volt/1500 Watt |
| 18600-0010 | Thermostat |
| 18608-0010 | Thermostat Knob |
| 18616-0094 | Transformer |
| 18616-0096 | Digital Thermometer |
| 29037-9000 | Red Thermometer Cover |
| 18616-0097 | Probe Assembly |
| 18601-1150 | Red Pilot Light |
| 18602-0055 | Lighted On/Off Switch 120 Volt |
| 18602-0056 | Lighted On/Off Switch 220 Volt |
| 18605-0010 | Power Cord w/Plug 120 Volt |
| 18605-0015 | Power Cord w/Plug 220 Volt |
| 16500-8266 | Cord Wrap |
| 29034-0028 | High Temp Heater Gasket |
| I1000-0733 | Wiring Diagram |

* Contact factory with your model and serial number for replacement cabinet components.

Carter-Hoffmann Corporation Warranty:

Carter-Hoffmann Corporation ("CARTER-HOFFMANN") warrants to the initial purchaser of its standard Carter Line Products that CARTER-HOFFMANN will, at its option, repair or replace, during the warranty period set forth below, any part of such products made necessary due to a defect in material or workmanship which is present when the product leaves its factory and which manifests itself during the warranty period under normal use and service.

This warranty applies only to original equipment owned and possessed by the initial purchaser and the warranty period begins on the date of original shipment from the CARTER-HOFFMANN factory and extends as follows: to electrical and refrigeration components for one year; to electrical and refrigeration labor for 120 days; to refrigeration compressor unit for 1 year (limited to replacement of the unit only—not to include labor for removal, repair or replacement), and to all other component parts and labor for 12 months.

Repair or replacements under this warranty will be performed, unless otherwise authorized in writing by CARTER-HOFFMANN, at its factory. All parts or components to be repaired or replaced under this warranty are to be shipped prepaid to CARTER-HOFFMANN, with reimbursement credit for such part or component to be given if found by CARTER-HOFFMANN to be defective.

CARTER-HOFFMANN neither makes nor assumes and does not authorize any other person to make or assume any obligation or liability in connection with its products other than that covered in this warranty. This warranty applies only within the continental United States and Canada. In Alaska and Hawaii, this warranty applies only to and is limited to the supply of replacement parts.

Warranty Exclusions And Limitations:

Any implied warranty of merchantability or fitness for a particular purpose is hereby specifically disclaimed by Carter-Hoffmann Corporation. There are no warranties, expressed or implied, which extend beyond the description on the face hereof.

This warranty does not cover and CARTER-HOFFMANN shall not under any circumstances be liable for any incidental, consequential or other damages (such as injury to persons or property, loss of time, inconvenience, loss of use, loss of business or profits, or other matters not specifically covered) arising in connection with the use of, inability to use, or failure of these products.

Specifications subject to change through product improvement and innovation.

Printed in U.S.A.



1551 McCormick Avenue, Mundelein, Illinois 60060
Tel. 1-800-421-3744 • Fax No. (847) 367-8981

18400-3013
SN/96P1278