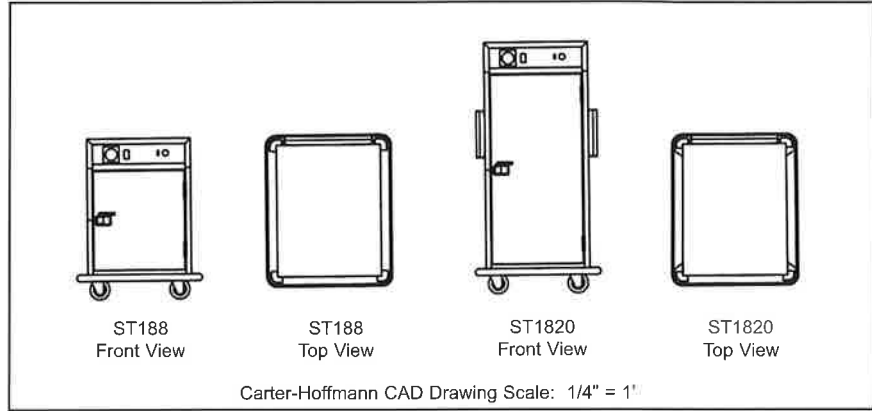




ST188 & ST1820 HEAVY-DUTY SATELLITE TRANSPORT CARTS (top mounted heating system) Universal Slides



CARTER-HOFFMANN
11
FOOD SERVICE EQUIPMENT
HEATED TRANSPORT CARTS

SPECIFICATIONS

Model Number	Tray/Pan		Slide Pairs	Inside Working Height		Overall Dimensions						Caster Diameter		Shipping Weight		
	Capacity*			Standard	in	mm	Height		Depth		Width		in	mm	lbs	kgs
	18"x26"	12"x20"					in	mm	in	mm	in	mm				
<input type="checkbox"/> ST188	6	12	6	23 ¹ / ₄	591	41 ¹ / ₈	1045	38	965	31 ¹ / ₂	800	6	152	245	111	
<input type="checkbox"/> ST1820	12	24	10	45 ³ / ₄	1162	64	1626	38	965	31 ¹ / ₂	800	6	152	440	200	

* Capacity shown at 3 1/2" spacing. Tray slides adjustable on 1 3/4" increments.

CONSTRUCTION... Completely welded cabinet construction with outer cabinet formed and welded to base. All seams turned in to eliminate raw edges.

CABINET MATERIAL... Nickel-bearing type 300 series stainless steel; 24 gauge polished exterior and 20 gauge interior.

BASE FRAME... 12 gauge stainless steel full depth bolsters with 1" x 1" 14 gauge stainless steel perimeter tube supports welded to bolsters.

CASTERS... 6" balloon casters. Plate mounted and bolted to base in offset wheel-ahead pattern. Delrin sleeve axle bearings and double ball bearing swivel. Zerk grease fittings. Two casters fitted with brakes.

BUMPER... Non-marking gray vinyl bumper set in heavy-duty 3/16" thick extruded aluminum frame with reinforced corner "cut-outs."

INSULATION... High density fiberglass, full 1" thick continuous wrap-around type in top, bottom and sides.

DOOR... Recessed within cart walls, top and base. Welded double panel stainless steel. 24 gauge polished exterior and 20 gauge interior. Filled with 1" thick high density fiberglass insulation.

HINGES... 12 gauge stainless steel butt hinges with 3/8" diameter stainless steel pins, fully welded to cabinet and doors.

GASKET... High temperature silicone gasket mounted to cabinet.

LATCH... Flush mounted heavy-duty slide latch for positive door closure.

HANDLES... ST188 has three 1" diameter stainless steel tubular handles, horizontally mounted and bolted, one on each side and back of cabinet. ST1820 has five 1" stainless steel tubular handles. Two vertically mounted and bolted to each side of the cabinet. One horizontally mounted and bolted to back of cabinet.

RACK ASSEMBLIES... Removable wire universal slides placed into 18 gauge stainless steel baffles secured in place with rack hold down device. Slides fully adjustable at 1 3/4" spacing. Standard spacing at 3 1/2" centers.

THERMOMETER... Dial type with remote sensing bulb and protective Lexan cover.

HEATING SYSTEM... Top mounted, all stainless steel construction. Unit held in place with hold down device and is removable with tools. Inconel-sheathed heating element. High impedance protected, internally cooled fan motor. Auto reset high-limit switch to protect all internal electrical components. Removable large capacity humidifying pan, on/off toggle switch with guard, power indicating light, full range thermostat control knob with security guard, recessed 12 gauge stainless steel cord wrap.

ELECTRICAL CHARACTERISTICS... Operates on 120 volts, 60 cycle, single phase, 1500 watts, 12.5 amps. Ten foot 3 wire rubber cord with 3 prong grounding plug. NEMA 5-15P.

PERFORMANCE... Capable of heating to 200° F (94° C). Preheat to 160° F (71° C) in approximately 20 minutes.

ACCESSORIES/OPTIONS...

- Menu Card Holder
- Alternate Electrical Configurations
- Alternate Wheel Sizes and Treads

Specifications subject to change through product improvement & innovation.

CARTER-HOFFMANN CORP.

1551 McCormick Ave., Mundelein, IL 60060
Tel (847) 362-5500 • (800) 323-9793 • Fax (847) 367-8981
www.carter-hoffmann.com



Printed in U.S.A. F32 0499
Carter-Hoffmann is a trademark
of Carter-Hoffmann Corp.

FEATURES & BENEFITS

1551 McCormick Avenue, Mundelein, Illinois 60060
 Tel. (847)362-5500 • (800)323-9793 • Fax (847)367-8981
www.carter-hoffmann.com



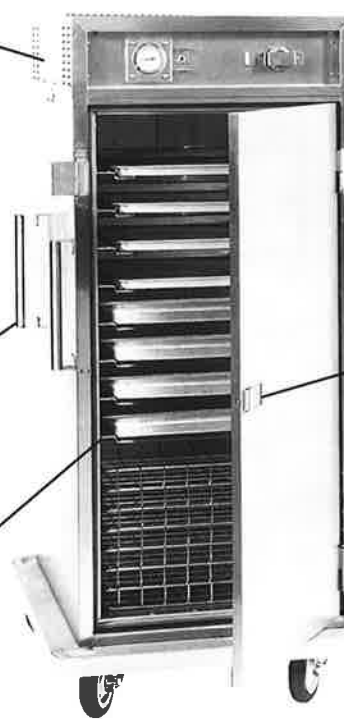
ST188 & ST1820 HEAVY-DUTY TRANSPORT CARTS

Since 1947, Foodservice Equipment That Delivers!

TOP MOUNTED HEATING SYSTEM... Blower system for fast heat up, recovery and even heat distribution throughout cabinet. Removable with tools. Side mounted heat ducts for faster heat up and even heat distribution.

HANDLES... 1" stainless steel handles, securely welded to cabinet sides and back. Allow secure tie-down support for easy transport.

REMOVABLE STAINLESS STEEL TRAY SLIDE ASSEMBLIES WITH WIRE SLIDES... Baffles and slides can be removed with tools for easy cleaning.



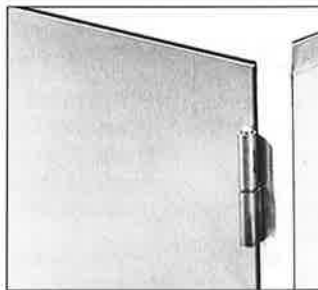
ST1820

STAINLESS STEEL CONSTRUCTION... All stainless steel construction. Designed to withstand the abuse of transport applications and is easy to clean.

HEAVY-DUTY SLIDING LATCH... Flush mounted for protection from damage. Ensures positive closure and rugged longevity.

FULL PERIMETER BUMPER... Nonmarking gray vinyl bumper. Protects entire cart and facility walls from damage.

EASY ROLLING BALLOON CASTERS IN OFFSET WHEEL AHEAD PATTERN... Only one wheel can pass over uneven surfaces at one time. Cabinet glides easily across grates, thresholds and truck lift gates.



RECESSED DOOR... Flush mounted design protects door from damage during transport.



LEXAN THERMOMETER COVER... 1/4" thick scratch resistant lexan protects dial thermometer. Silicone sealed to keep out moisture.

