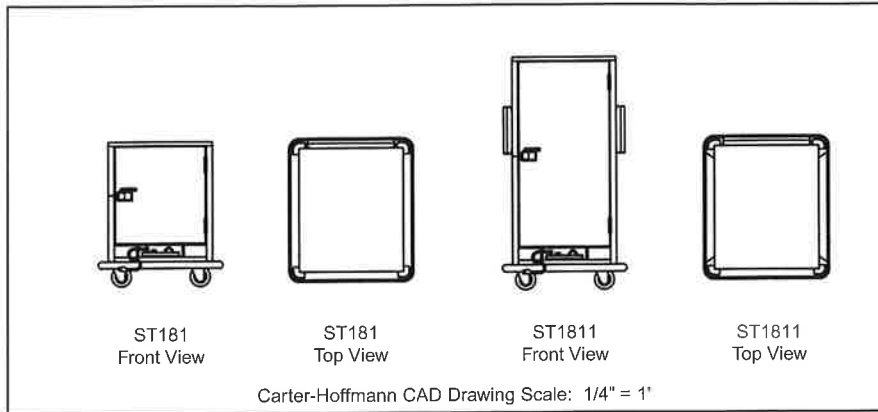




ST181 & ST1811 HEAVY-DUTY SATELLITE TRANSPORT CARTS (bottom mounted heating system) Universal Slides



Model Number	Tray/Pan Capacity*		Slide Pairs Standard	Inside Working Height		Overall Dimensions						Caster Diameter		Shipping Weight	
	18"x26"	12"x20"		in	mm	Height		Depth		Width		in	mm	lbs	kgs
						in	mm	in	mm	in	mm				
<input type="checkbox"/> ST181	6	12	6	23 1/4	591	37	940	36	914	31 1/2	800	6	152	240	109
<input type="checkbox"/> ST1811	12	24	10	45 1/2	1156	59	1499	36	914	31 1/2	800	6	152	339	154

* Capacity shown at 3 1/2" spacing. Slides adjustable on 1 3/4" increments.

CONSTRUCTION... Completely welded cabinet construction with outer cabinet formed and welded to base. All seams turned in to eliminate raw edges.

CABINET MATERIAL... Nickel-bearing type 300 series stainless steel; 18 gauge polished exterior and 18 gauge interior.

BASE FRAME... 12 gauge stainless steel full depth bolsters with 1" x 1" 14 gauge stainless steel perimeter tube supports welded to bolsters.

CASTERS... 6" balloon casters. Plate mounted and bolted to base in offset wheel-ahead pattern. Delrin sleeve axle bearings and double ball bearing swivel. Zerk grease fittings. Two casters fitted with brakes.

BUMPER... Non-marking gray vinyl bumper set in heavy-duty 3/16" thick extruded aluminum frame with reinforced corner "cut-outs."

INSULATION... High density fiberglass, full 1" thick continuous wrap-around type in top, bottom and sides.

DOOR... Recessed within cart walls, top and base. Welded double panel stainless steel. 20 gauge polished exterior and 18 gauge interior. Filled with 1" thick high density fiberglass insulation.

HINGES... 12 gauge stainless steel butt hinges with 3/8" diameter stainless steel pins, fully welded to cabinet and doors.

GASKET... High temperature silicone gasket mounted to cabinet.

LATCH... Flush mounted heavy-duty slide latch for positive door closure.

HANDLES... ST181 has three 1" diameter stainless steel tubular handles, horizontally mounted and bolted on, one on each side and back of cabinet. ST1811 has five 1" stainless steel tubular handles. Two vertically mounted and bolted to each side of the cabinet. One horizontally mounted and bolted to back of cabinet.

TRAY RACK ASSEMBLIES... Removable 16 gauge stainless steel tray racks secured in place with rack hold-down device. Removable wire universal slides. Slides fully adjustable at 1 3/4" spacing. Standard spacing at 3 1/2" centers.

THERMOMETER... Dial type with remote sensing bulb and protective Lexan cover.

HEATING SYSTEM... Bottom mounted heater secured in place with hold down device. Entire unit removable with tools. Inconel-sheathed heating element. High impedance protected, internally cooled fan motor. Full range thermostat and power indicating light.

ELECTRICAL CHARACTERISTICS... Operates on 120 volts, 60 cycle, single phase, 1650 watts, 13.7 amps. Ten foot 3 wire rubber cord with 3 prong grounding plug. NEMA 5-15P.

PERFORMANCE... Capable of heating to 200° F (94° C). Preheat to 160° F (71° C) in approximately 20 minutes.

ACCESSORIES/OPTIONS...

- Menu Card Holder
- Alternate Wheel Sizes and Treads
- Alternate Electrical Configurations

Specifications subject to change through product improvement & innovation.

CARTER-HOFFMANN

1551 McCormick Ave., Mundelein, IL 60060
(847) 362-5500 • (800) 323-9793 • Fax (847) 367-8981
www.carter-hoffmann.com



FEATURES & BENEFITS

ST181 & ST1811 HEAVY-DUTY SATELLITE TRANSPORT CARTS

Since 1947, Foodservice Equipment That Delivers!

REMOVABLE STAINLESS STEEL TRAY RACKS WITH WIRE SLIDES... Tray racks can be removed for easy cleaning.

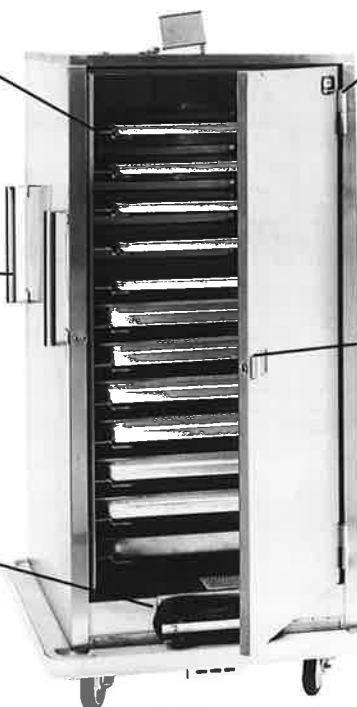
HANDLES... 1" stainless steel handles, securely bolted to cabinet sides and back. Allow secure tie-down support for easy transport.

BOTTOM MOUNTED HEATING SYSTEM... Blower system for fast heat up, recovery and even heat distribution throughout cabinet. Unit is removable with tools for easy cleaning.

STAINLESS STEEL CONSTRUCTION... All stainless steel construction. Designed to withstand the abuse of transport applications and is easy to clean.

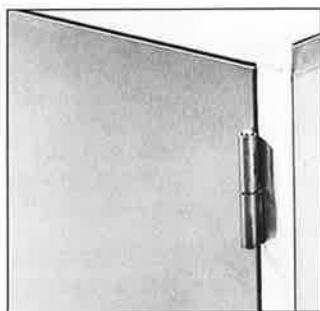
HEAVY-DUTY SLIDING LATCH... Flush mounted for protection from damage. Ensures positive closure and rugged longevity.

FULL PERIMETER BUMPER... Nonmarking gray vinyl bumper. Protects entire cart and facility walls from damage.

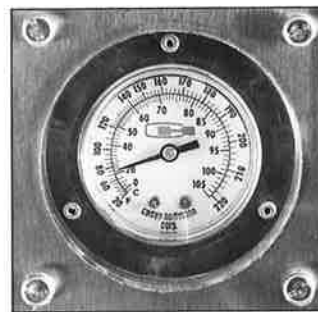


ST1811

EASY ROLLING BALLOON CASTERS IN OFFSET WHEEL AHEAD PATTERN... Only one wheel can pass over uneven surfaces at one time. Cabinet glides easily across grates, thresholds and truck lift gates.



RECESSED DOOR... Flush mounted design protects door from damage during transport



LEXAN THERMOMETER COVER... 1/4" thick scratch resistant Lexan protects dial thermometer. Silicone sealed to keep out moisture.

1551 McCormick Avenue, Mundelein, Illinois 60060
Tel. (847)362-5500 · (800)323-9793 · Fax (847)367-8981
www.carter-hoffmann.com

