



Project \_\_\_\_\_

Item Number \_\_\_\_\_

Quantity \_\_\_\_\_

SL50/SL80/SL120



## SL50 / SL80 / SL120 SILVERLINE Spiral Mixers

### Models:

- SL50: 70 QUART (68 LITER) SPIRAL MIXER
- SL80: 135 QUART (130 LITER) SPIRAL MIXER
- SL120: 180 QUART (170 LITER) SPIRAL MIXER



### Features:

- Stainless steel bowl, spiral dough hook, and shaft
- Powerful dual high torque motors- for bowl and dough hook
- Has two fixed speeds and reverse function
- Dual electronic timers allow automatic shift from 1st to 2nd speed
- Mixer is equipped with built in castors and leveling feet for easy positioning and set-up
- Safety switches to protect operator from injury if bowl lid is open
- Powerful belt drive provides low vibration, low noise, and economical maintenance for years of reliable service
- Heavy-duty reinforced dough hook easily handles large, heavy batches with ease
- Polished finish stainless steel bowl
- Bowl guard allows easy addition of ingredients while mixing

Spiral Mixer

Univex Corporation

### Dough Capacity:

SL50: 110lb (50kg)  
 SL80: 176lb (80kg)  
 SL120: 265lb (120kg)

### Dough hook:

1st speed: 95 rpm  
 2nd speed: 190 rpm

Bowl:  
 20 rpm

### Standard Accessories:

- Heavy-duty stainless steel bowl
- Stainless steel dough hook

### Warranty:

- One year, on-site parts and labor



Univex Corporation  
 www.Univexcorp.com

3 Old Rockingham Rd  
 Salem, NH 03079  
 United States of America

TEL: (800)258-6358  
 INTL TEL: (603)893-5191  
 FAX: (800)356-5614  
 INTL FAX: (603)893-1249

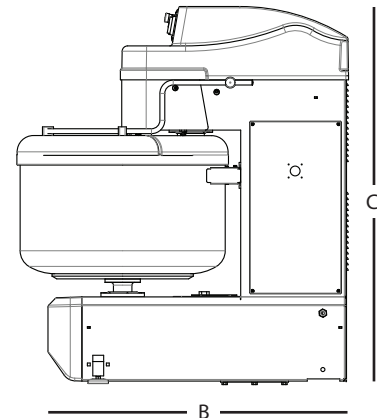
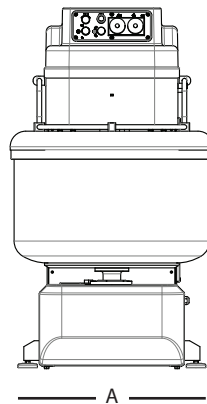
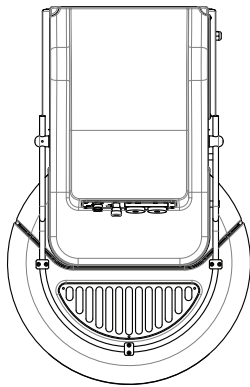


# SILVERLINE Spiral Mixer

# SL50 / SL80 / SL120

Line drawing is the SL120

	SL50	SL80	SL120
A	22" (55.9cm)	27" (68.58cm)	31" (78.74cm)
B	36" (91.4cm)	45" (114.3cm)	54" (137.16cm)
C	45" (114.3cm)	51" (129.54cm)	57" (144.78cm)



## Electrical Information

Model	Voltage	Phase	Spiral hp(kW)	Bowl hp(kW)	Total hp(kW)	Spiral Amps	Bowl Amps	Total Amps
SL50	208-240	3	2.5/3.5 (1.9/2.6)	.75 (.55)	4.25 (3.15)	6.25	1.3	7.5
SL80	208-240	3	3.5/6 (2.6/4.5)	.75 (.55)	6.75 (5.05)	24.6	2.65	27.25
SL120	208-240	3	6/8.3 (4.4/6.1)	1 (.75)	9.3 (6.85)	28	3.68	31.68

NEMA #:

SL50: L15-20-P  
 SL80: L16-30-P  
 SL120: Hard Wire  
 With Shutoff

Transmission: Heavy duty low noise and low vibration belt drive.

Controls: Control panel with digital timers. Separate timers for high and low speed. Security key for manual use. Bowl reverse direction switch.

Bowl Guard: Swings open for full access to bowl. Guard must be closed for mixer operation.

## Shipping Information

Model	Net Weight	Shipping Weight	Overall Dimensions
SL50	474 lbs. (215Kg)	548 lbs. (265Kg)	59" (150cm) H x 31" (78.7cm) W x 32" (82cm) D
SL80	728 lbs. (330Kg)	838 lbs. (380Kg)	67" (170cm) H x 31" (80cm) W x 50" (126cm) D
SL120	1,080 lbs. (490Kg)	1,190 lbs. (540Kg)	67.3" (171cm) H x 33" (83cm) W x 53" (135cm) D

\*The weight and dimensions of the pallet are included in the weight and dimensions above.



Univex Corporation  
 www.Univexcorp.com

3 Old Rockingham Rd  
 Salem, NH 03079  
 United States of America

TEL: (800)258-6358  
 INTL TEL: (603)893-5191  
 FAX: (800)356-5614  
 INTL FAX: (603)893-1249