



Sleek Shields™

SELF SERVICE FOOD SHIELDS

DOUBLE TIER WITH STAINLESS STEEL SHELF

Protected by: Patent No. US 9,010,883 B2



1-1/2" Standard Glass Opening (Maximum 1-1/2") From Table To Bottom Of Glass.
(Shown With 1" Anodized Aluminum Posts)



Advance Tabco's Revolutionary "Chamber Lock" System makes rotating food shields easier than ever

Item #: _____ Qty #: _____
 Model #: _____
 Project #: _____



Meets Latest NSF Standards

FEATURES:

- Front glass locks in place at 15° intervals.
- Attractive, low profile design & Easy to clean.
- Stainless steel 1" diameter posts.
- Chamber lock™ is mounted to post in a fixed position.
- Includes two 1/4" Heat-Tempered Side Glass.
- 1/4" or 3/8" Heat-Tempered Glass Front Panels. (See Chart For "★" Symbol).

NDSG Series Stainless Steel Shelving:

Shelves have two rolled edges on front & rear and square edges on left & right sides.

CONSTRUCTION:

All TIG welded
 Exposed stainless steel surfaces polished to a satin finish.

MATERIAL:

- 1/4" Thick Heat-Tempered Side Glass.
- 1/4" or 3/8" Thick Heat-Tempered Front Glass.
- Posts - 1" Stainless Steel.
- Chamber Lock™ Sleek Shield Assemblies - Anodized Aluminum.
- Finish - Aluminum components are anodized to a satin finish.
- Stainless components polished.

TOP SHELF:

NDSG Series: Shelf - 18 Ga., Type 430 Stainless Steel.

Length	12" WIDE Model #	Approx. Weight	15" WIDE Model #	Approx. Weight	18" WIDE Model #	Approx. Weight	Approx. Cu. Ft.
36"	NDSG-12-36	155 lbs.	NDSG-15-36	160 lbs.	NDSG-18-36	166 lbs.	26
48"	NDSG-12-48	194 lbs.	NDSG-15-48	199 lbs.	NDSG-18-48	206 lbs.	34
60"	NDSG-12-60★	243 lbs.	NDSG-15-60★	250 lbs.	NDSG-18-60★	258 lbs.	41
72"	NDSG-12-72★	277 lbs.	NDSG-15-72★	290 lbs.	NDSG-18-72★	308 lbs.	49
84"	NDSG-12-84†	324 lbs.	NDSG-15-84†	330 lbs.	NDSG-18-84†	344 lbs.	56
96"	NDSG-12-96†	353 lbs.	NDSG-15-96†	365 lbs.	NDSG-18-96†	376 lbs.	64
108"	NDSG-12-108††	399 lbs.	NDSG-15-108††	405 lbs.	NDSG-18-108††	411 lbs.	71
120"	NDSG-12-120††	443 lbs.	NDSG-15-120††	445 lbs.	NDSG-18-120††	457 lbs.	79
132"	NDSG-12-132††	483 lbs.	NDSG-15-132††	496 lbs.	NDSG-18-132††	503 lbs.	86
144"	NDSG-12-144††	513 lbs.	NDSG-15-144††	546 lbs.	NDSG-18-144††	546 lbs.	94

★ 3/8" Thick Heat-Tempered Glass Required For Front Glass

† Requires a single pair of center legs

†† Requires two pair of center legs



Customer Service Available To Assist You 1-800-645-3166 8:30 am - 7:00 pm E.S.T.

For Orders & Customer Service:

Email: customer@advancetabco.com or Fax: 631-242-6900

For Smart Fabrication™ Quotes:

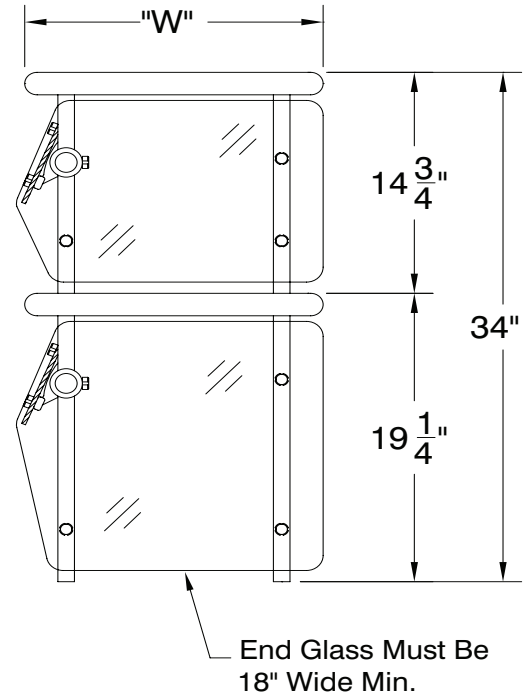
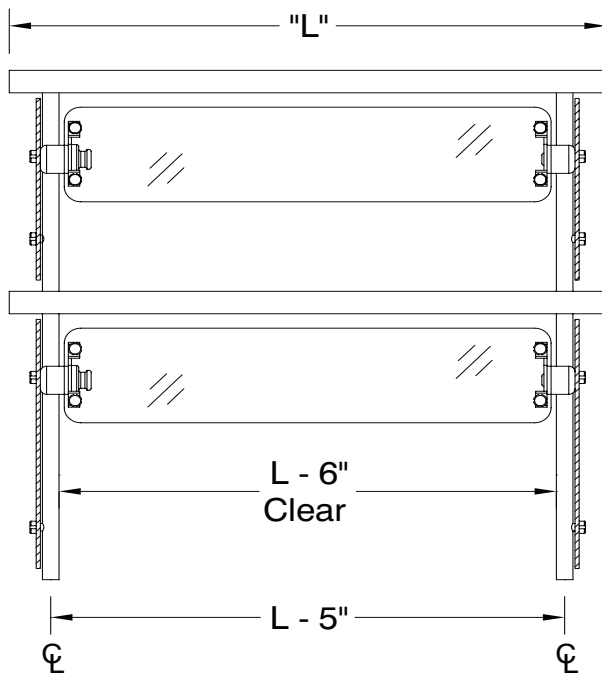
Email: smartfab@advancetabco.com or Fax: 631-586-2933

DETAILS and SPECIFICATIONS

TOL ± .500"

ALL DIMENSIONS ARE TYPICAL

NDSG SERIES DOUBLE TIER with Stainless Steel Shelf



10-1/2" Standard Glass Opening (Maximum 13") From Table To Bottom Of Glass.
NSF Requires Side Glass to be 18" Wide Minimum.

Optional Accessories

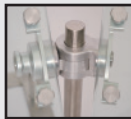
(Compatible With All Advance Tabco Food Shields)



SG-1



SG-C



SG-S

SG-1 Surface Mounting Brackets for use when access below countertop is not available. Fits 1" Posts, 2" Dia.

SG-3 Modify Food Shield mounting for countertops exceeding 1 3/4" thickness.

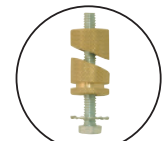
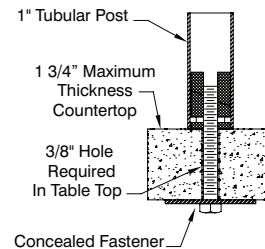
SG-C Upgrade Center Food Shield Leg to be cantilevered over installed equipment (Per Leg). Cannot replace End Posts/Brackets. Consult factory for special applications.

SG-S Sleek Shield™ horizontal swivel bracket. Used to connect food shields positioned at variable angles.

Custom color for aluminum (**SG-AN**) and stainless steel (**SG-PC**) components available. Consult factory.
LED lights & mounting of customer-supplied heat lamps is available. Consult factory.

Standard Concealed Mounting Hardware

Requires access below counter for installation.



Brass Expander Included

Brass Expander Table Mounting Hardware Included.
For traditional undermount installation (1" tubing only)

