



# COUNTERTOP REFRIGERATORS

Project                      Date                      Models **CTR2.68LD, CTR3.75, CTR3.75T**                      Item#                      Quantity



model CTR2.68LD



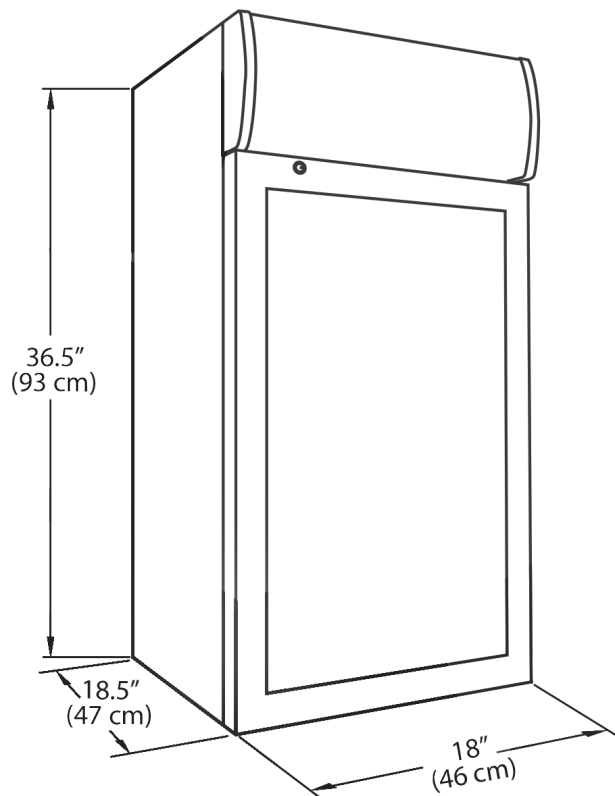
model CTR3.75

## Features

- Adjustable thermostat - temperature can be adjusted between 34°F and 45°F (1.1 - 7.2° C).
- Interior lights show off your product.
- Model CTR2.68LD available with illuminated header display.
- Model CTR3.75 for extra capacity.
- ETL and ETL sanitation listed.

# Models & Dimensions

## Countertop Refrigerators



model CTR2.68LD

## Specifications

Model	Description	HP	Electrical	Product Dimensions (H x W X D)	Ship Weight
<b>CTR2.68LD</b> (810115L)	Black, 2.7 cubic feet (0.076 cubic meters), (4) shelves. Includes lighted external merchandise display.	1/8	120V / 0.24 kW / 2A / 1Ph	36.5" x 18" x 18.5" (93 cm x 46 cm x 47 cm)	90 lbs. (40.8 kg)
<b>CTR3.75</b> (810105L)	Black, 3.8 cubic feet (0.106 cubic meters), (5) shelves.	1/8	120V / 0.24 kW / 2A / 1Ph	33.25" x 18.75" x 18" (84.5 cm x 48 cm x 46 cm)	85 lbs. (38.6 kg)
<b>CTR3.75T</b> (1006-00000)	Exterior LED temperature readout. 3.8 cubic feet (0.106 cubic meters), (5) shelves.	1/8	120V / 0.24 kW / 2A / 1Ph	33.25" x 18.75" x 18" (84.5 cm x 48 cm x 46 cm)	85 lbs. (38.6 kg)

**Electrical:** Line cord included, NEMA plug 5-15P.

**Refrigerant:** R-134a

### Options

**Additional Shelf (08727L)** - Additional shelf for CTR3.75

