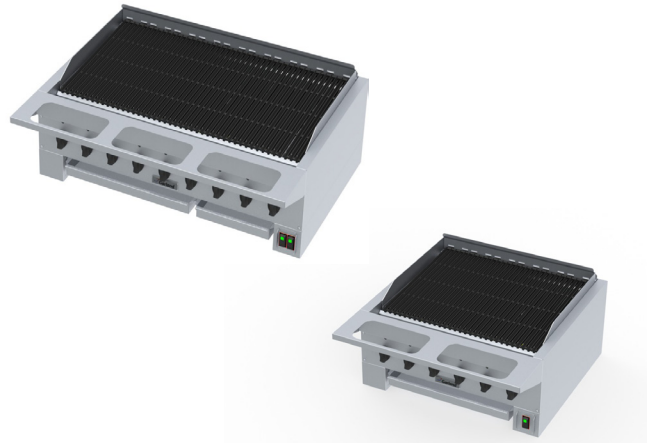




INSTALLATION AND OPERATION MANUAL

HEEGM XX CL HIGH EFFICIENCY RADIANT CHAR-BROILER



Français Page 17

FOR YOUR SAFETY:
DO NOT STORE OR USE GASOLINE
OR OTHER FLAMMABLE VAPORS OR
LIQUIDS IN THE VICINITY OF
THIS OR ANY OTHER
APPLIANCE

WARNING:
IMPROPER INSTALLATION, ADJUSTMENT,
ALTERATION, SERVICE OR MAINTENANCE
CAN CAUSE PROPERTY DAMAGE, INJURY,
OR DEATH. READ THE INSTALLATION,
OPERATING AND MAINTENANCE
INSTRUCTIONS THOROUGHLY
BEFORE INSTALLING OR
SERVICING THIS EQUIPMENT

PLEASE READ ALL SECTIONS OF THIS MANUAL AND RETAIN FOR FUTURE REFERENCE.

THIS PRODUCT HAS BEEN CERTIFIED AS COMMERCIAL COOKING EQUIPMENT AND MUST BE INSTALLED BY PROFESSIONAL PERSONNEL AS SPECIFIED.

IN THE COMMONWEALTH OF MASSACHUSETTS THIS PRODUCT MUST BE INSTALLED BY A LICENSED PLUMBER OR GAS FITTER.

For Your Safety:
In a clear and observable location, post instructions to be followed if a user smells gas. This information shall be obtained by consulting your local gas supplier.

Users are cautioned that maintenance and repairs must be performed by a Garland authorized service agent using genuine Garland replacement parts. Garland will have no obligation with respect to any product that has been improperly installed, adjusted, operated or not maintained in accordance with national and local codes or installation instructions provided with the product, or any product that has its serial number defaced, obliterated or removed, or which has been modified or repaired using unauthorized parts or by unauthorized service agents. For a list of authorized service agents, please refer to the Garland web site at <http://www.garland-group.com>. The information contained herein, (including design and parts specifications), may be superseded and is subject to change without notice.

GARLAND COMMERCIAL RANGES, LTD.
1177 Kamato Road, Mississauga, Ontario L4W 1X4
CANADA
Phone: 905-624-0260
Fax: 905-624-5669

General Inquiries 1-905-624-0260
USA Sales, Parts and Service 1-800-424-2411
Canadian Sales 1-888-442-7526
Canada or USA Parts/Service 1-800-427-6668

IMPORTANT INFORMATION

WARNING:

This product contains chemicals known to the state of California to cause cancer and/or birth defects or other reproductive harm. Installation and servicing of this product could expose you to airborne particles of glass wool/ceramic fibers. Inhalation of airborne particles of glass wool/ceramic fibers is known to the state of California to cause cancer. Operation of this product could expose you to carbon monoxide if not adjusted properly. Inhalation of carbon monoxide is known to the state of California to cause birth defects or other reproductive harm.

Keep appliance area free and clear of combustibles.

TABLE OF CONTENTS

IMPORTANT INFORMATION	2
DIMENSIONS AND SPECIFICATIONS	4
PRE INSTALLATION	6
Introduction	6
Damage check.....	6
Rating Plate.....	5
INSTALLATION	6
General.....	6
Positioning and Setup.....	6
Optional Stand	7
Air Supply and Ventilation.....	7
Electrical Connection	7
Gas Connection.....	8
Start Up	8
USE AND CARE	9
Operation	9
Warnings.....	11
Optional Equipment	11
CLEANING AND MAINTENANCE	12
General.....	12
Warnings.....	12
Cleaning During Operations.....	13
Daily Cleaning	13
Weekly/Periodic Cleaning	13
Maintenance	14
Service and Parts	14

DIMENSIONS AND SPECIFICATIONS

Model #	Shipping Dimensions: In. (mm)			No. Of Burners	Total BTU*		Shipping Weight Lbs/Kg	Shipping Size CuFT/ Cu/m
	Width	Depth	Height		Natural	Propane		
HEEGM24CL	45/1143	45/1143	25-1/2/648	4	58,000	52,000	280/127	29.9/0.846
HEEGM36CL	45/1143	45/1143	25-1/2/648	6	87,000	78,000	420/191	29.9/0.846
HEEGM48CL	65/1651	45/1143	25-1/2/648	9	130,500	117,000	254/560	43.2/1.223
HEEGM60CL	65/1651	45/1143	25-1/2/648	11	159,500	143,000	700/318	43.2/1.223

TOTAL BTU BASED ON MANIFOLD OPERATING PRESSURE SPECIFIED IN TABLE BELOW AND APPLY TO INSTALLATIONS UP TO 2000 FT (610m).

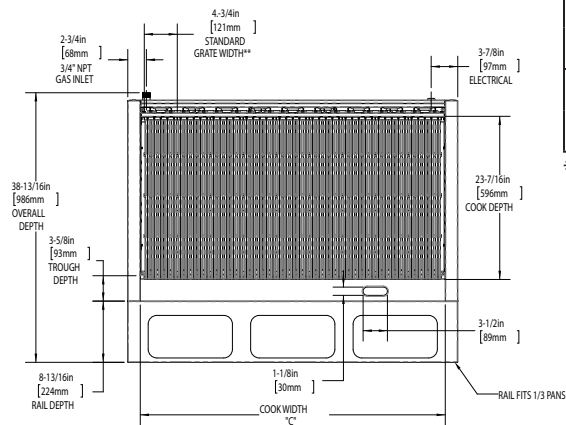
Model	COOK WIDTH "C"	LEG PITCH "D"	OVERALL WIDTH "E"	GREASE TRAY
24"	19-7/8in (506mm)	14-1/4in (362mm)	23-1/2in (597mm)	SINGLE
36"	29-7/8in (760mm)	24-1/4in (616mm)	33-1/2in (851mm)	SINGLE
48"	43-7/8in (1115mm)	36-1/4in (922mm)	47-1/2in (1207mm)	DUAL
60"	53-7/8in (1369mm)	48-1/4in (1222mm)	57-1/2in (1461mm)	DUAL

Models	Manifold Operating Pressure w.c.(Mbar)		Manifold Supply Pressure w.c.(Mbar)		Clearance to non-combustible material	
	Natural Gas	Propane	Natural Gas	Propane	Rear (in/mm)	Sides (in/mm)
All Models	4.5(11.2)	10.0(25.0)	7.0(17.4)	11.0(27.5)	0/0	0/0

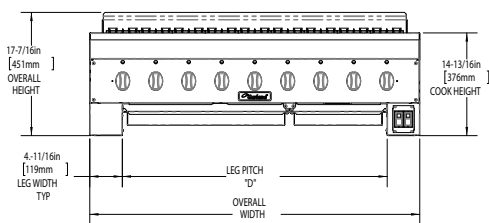
*GAS INLET PIPE IS 3/4" NPT ON ALL MODELS

Model	ELECTRICAL REQUIREMENTS			
	Voltage	Frequency	Current	Cord
HEEGM24&36CL	120	50-60 Hz	0.10 A	NEMA 5-15P
	220-240	50-60 Hz	0.05 A	NOT SUPPLIED
HEEGM48&60CL	120	50-60 Hz	0.22 A	NEMA 5-15P
	220-240	50-60 Hz	0.11 A	NOT SUPPLIED

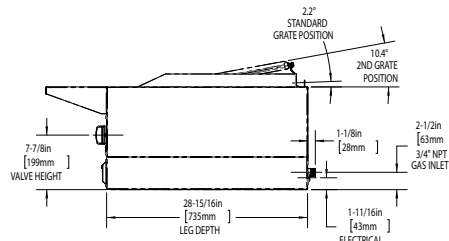
*WIRING DIAGRAMS PROVIDED WITH EACH UNIT



**OPTIONAL FAJITA RACK REQUIRES THE REMOVAL OF 2 STANDARD GRATES
STANDARD GRATE AVAILABLE IN ONE-SIDED OR TWO-SIDED STYLES



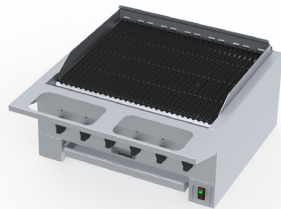
HEEGM48CL SHOWN



SPECIFICATIONS

High Efficiency HEEGM Radiant Charbroiler

HEEGM24CL, HEEGM36CL, HEEGM48CL & HEEGM60CL



HEEGM36CL



HEEGM48CL

Standard Features :

- All stainless steel construction.
- Front rail with cut outs to hold 1/3 size food pans (pans not included).
- Heavy duty reversible cast iron grates with wide edge on one side and fine edge on the other.
- Two grate positions to choose from: the standard position, with a slight 2° slope to the front or the second position, with a 10° slope to the front and more distance between the product and the burner.
- Large capacity, removable grease trays.
- Energy efficient cast iron burners.
- Complete system ON/OFF power switch(es), which ignites burners and shuts them down. HEEGM24CL & 36CL models have one switch and HEEGM48CL & 60CL have two switches.
- Each burner outputs 14,500 BTU for natural gas & 13,000 BTU for propane gas, and is individually controlled by a manual high-low valve.
- 9 ft power cord with NEMA 5-15P plug for standard 120V models.
- Wire brush and scraper combination tool included for cleaning grates.
- 3/4" gas regulator for applicable gas type.

Optional Features :

- Heavy duty single sided cast iron grate, in lieu of standard reversible grate N/C.
- Fajita pan grate designed specifically for holding/warming fajita pans, in lieu of two reversible or single sided grates N/C.
- 240V models supplied without a cord, available for export and/or non-CE countries.
- Stands are available, see HEMST specification sheet.

Note: To comply with NSF requirements, the unit may need to be sealed with silicone to the non-combustible mounting surface.

Specifications: :

Shall be Garland High Efficiency (HE) Charbroiler, Model HEEGMCL with total BTU/hr rating when used with natural gas. All stainless steel construction with front rail that holds 1/3 size food pans. Available in 24" (600mm) [HEEGM24CL], 36" (900mm) [HEEGM36CL], 48" (1200mm) [HEEGM48CL] and 58" (1500mm) [HEEGM60CL] widths.

PRE INSTALLATION

IT IS STRONGLY RECOMMENDED THAT INSTALLATION, MAINTENANCE AND REPAIRS BE DONE BY AN AUTHORIZED SERVICE AGENCY. FOR A LIST OF AUTHORIZED SERVICE AGENTS, REFER TO THE GARLAND WEB SITE AT <http://www.garland-group.com>

Introduction

Garland manufactures the HEEGM series broiler in several sizes. While service and customer operation may vary from size to size, installation is similar for each. All units are shipped fully assembled, except for the radiants and top grates, which are packaged in separate boxes. Each unit is tested, adjusted and inspected at the factory prior to shipment.

Damage Check

After unpacking the unit, be sure to carefully inspect the unit for visible and/or concealed damage. Report any damage immediately to your carrier to file the appropriate freight claims.

Rating Plate

The rating plate can be found on the inside face of the left leg. The grease drawer may need to be removed in order to read the information. If service or replacement parts are needed, refer to the model number (including prefix & suffix letters/numbers) and serial number on the rating plate when contacting the factory or authorized service agency. These numbers ensure proper unit identification and aid in providing faster and more accurate service.

The rating plate contains other important information critical to the proper installation of the unit. It specifies the gas type; gas pressure; voltage and clearance requirements for the appliance.

INSTALLATION

THIS PRODUCT IS NOT AUTHORIZED FOR HOME OR RESIDENTIAL USE. GARLAND WILL NOT PROVIDE SERVICE, WARRANTY, MAINTENANCE OR SUPPORT OF ANY KIND OTHER THAN IN COMMERCIAL APPLICATIONS.

General

In the United States, installation of this appliance must conform to the National Fuel Gas Code ANSI Z223.1, or latest edition, NFPA No.54-latest edition/or local code to assure safe and efficient operation.

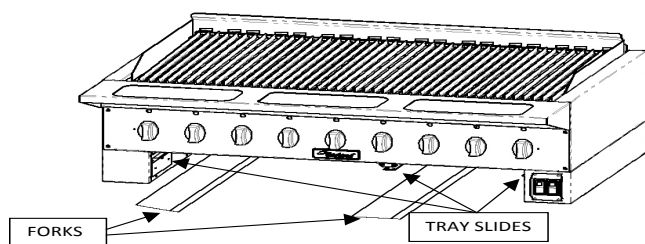
In Canada, installation of this appliance must comply with CSA B149.1 and local codes.

In other countries, installation must be carried out by a competent person, in accordance with the relevant regulations; codes of practice and the related publications of the country of destination.

If you have any questions regarding the installation of this unit, contact the Garland Service Department at (800) 427-6668 or online at <http://www.garland-group.com>

Positioning and Setup

1. Carefully remove the unit from the crate base. Some form of mechanical assistance may be required to lift and position the broiler. With the grease drawers removed, the unit is designed to be lifted with a pallet or lift jack as shown in the image below.



DO NOT LIFT BY GREASE DRAWER SLIDES. CARE SHOULD BE TAKEN TO AVOID THE LEFT, RIGHT AND/OR CENTER GREASE DRAWER SLIDES WHEN POSITIONING LIFTING EQUIPMENT.

INSTALLATION Continued

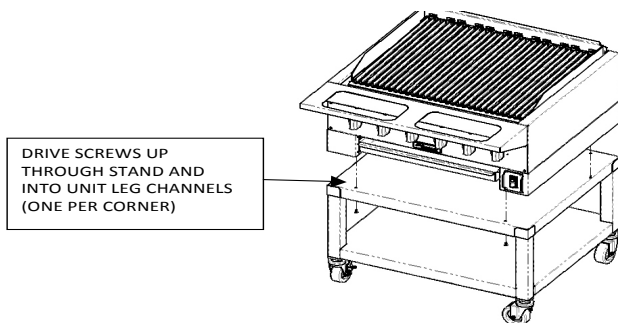
2. The unit is designed to sit flush on a counter, stand or refrigerated base. Leveling of the unit is done through adjustment of the stand casters, refrigerated base legs/ casters or using shims for countertop installation.

IT IS IMPERATIVE THAT THE UNIT IS PROPERLY LEVELED DURING INSTALLATION TO ENSURE OPTIMAL PERFORMANCE OF THE PRODUCT.

3. To comply with NSF requirements, the unit should be sealed to the mounting surface with silicone. If possible, apply silicone to the underside of both leg channels and then put the unit in place on the mounting surface. Otherwise, apply silicone to the surface first and then put the unit on the surface, placing the leg channels on the pre-applied silicone. Avoid sealing lower stainless steel panels to the surface, as these may need to be removed for service.
4. Position the appliance in an area that is free and clear of all combustibles. This unit is for use in non-combustible locations only.
5. For service, this unit may need to be accessed from the side. An adequate service clearance should be provided in front of the unit to enable the unit to be brought forward for access to serviceable components. Keep this in mind when determining the installation location.

Optional Stand

STANDS SPECIFICALLY DESIGNED TO ACCOMMODATE THESE UNITS ARE AVAILABLE FOR PURCHASE. USE THE APPROPRIATE STAND FOR THE SIZE OF UNIT. FOR YOUR SAFETY, BE SURE TO SECURE THE UNIT TO THE STAND WITH 4 SCREWS, AS SHOWN BELOW.



STAND ASSEMBLY INSTRUCTIONS ARE PROVIDED WITH EACH STAND.

Air Supply and Ventilation

VENTILATION REQUIREMENTS MAY BE SUBJECT TO LOCAL BUILDING AND FIRE CODES. CONSULT LOCAL AUTHORITIES HAVING JURISDICTION.

1. For any commercial cooking appliance, means must be provided to exhaust combustion waste products to the outside of the building. This is especially important for broilers, since they generate substantial amounts of smoke when in operation.
2. A properly designed ventilating canopy should be used for this appliance, which extends at least 6" (152mm) beyond each side of the appliance (except against the wall if the canopy is a wall installation) and is equipped with filters and drip troughs.
3. Air movement should be checked during installation. There must be adequate air intake into the building to compensate for the amount of air removed by the ventilation system. Without a proper balance, abnormal atmospheric pressure will occur, affecting burner and appliance performance. If air movement is a concern, adjustments should be made to correct the problem by a qualified technician.

HAVING DIFFICULTY OPENING DOORS THAT EXIT THE BUILDING, IS AN INDICATION THAT THE BUILDING HAS A PROBLEM WITH AIR MOVEMENT.

4. Do not permit fans to blow directly at the appliance and avoid opening windows behind or beside the appliance. This can create air cross-currents and/or excessive drafts that interfere with the operation of the unit.

Electrical Connection

DISCONNECT THE POWER SUPPLY BEFORE SERVICING.

1. Standard units are supplied with a Nema 5-15P power cord with appropriate strain relief. This will require a suitable 120V 15Amp 60Hz outlet in close proximity to the appliance. Consult a certified electrician if you have concern about the suitability of the outlet.

DO NOT USE AN EXTENSION CORD TO CONNECT THIS UNIT TO A POWER SUPPLY. DO NOT USE THIS APPLIANCE IF THE POWER CORD IS DAMAGED. DO NOT ATTEMPT TO REPAIR A DAMAGED POWER CORD. TAKE CARE NOT TO EXPOSE THE POWER CORD TO HEAT OR SHARP EDGES.

2. Units supplied without a cord are intended for use with a 220-240V (LINE TO LINE) single phase power supply. The appliance must be fitted with an appropriate power cord

INSTALLATION Continued

and strain relief, and connected to the appropriate power supply by a certified electrician in accordance with local codes.

Gas Connection

ENSURE THE GAS METER AND GAS PIPING ARE SIZED CORRECTLY FOR THE AMOUNT OF GAS FLOW AND PRESSURE THAT WILL BE NEEDED TO RUN ALL APPLIANCES IN THE KITCHEN. UNDERSIZED GAS PIPING INTO THE KITCHEN MAY AFFECT THE PERFORMANCE OF THIS AND/OR OTHER EQUIPMENT. IF IN DOUBT, CONSULT YOUR LOCAL GAS AUTHORITY.

A MANUAL OR AUTOMATIC ISOLATION VALVE MUST BE INSTALLED ON THE GAS SUPPLY TO THE KITCHEN FOR ACCESS IN THE EVENT OF AN EMERGENCY. THE MANUAL VALVE OR AUTOMATIC VALVE ACCESS POINT SHOULD BE READILY ACCESSIBLE AND LOCATED EITHER OUTSIDE THE KITCHEN OR CLOSE TO AN EXIT. POST THE FOLLOWING NOTICE AT THE MANUAL VALVE OR AUTOMATIC VALVE ACCESS POINT:

“ALL DOWNSTREAM BURNER AND PILOT VALVES MUST BE TURNED OFF PRIOR TO RESTORING THE GAS SUPPLY. AFTER AN EXTENDED SHUT OFF, PURGE BEFORE RESTORING GAS.”

1. A manual gas shut-off valve must be installed in the gas supply line ahead of the appliance for safety and ease of future service. The shut-off valve should be located such that it can be reached quickly in the event of an emergency. The shut-off valve is normally supplied by the installer.
2. This unit is shipped with a gas pressure regulator. It must be installed at the appliance prior to connecting the equipment to the gas line. Each appliance must have its own pressure regulator. Be sure to install the regulator according to the gas flow direction and verify that the pressure marking corresponds with the gas type. Failure to install a regulator will void the equipment warranty.

PRIOR TO CONNECTING THE REGULATOR, CHECK THE GAS SUPPLY LINE PRESSURE. THE REGULATOR SUPPLIED WITH THE UNIT IS RATED FOR A MAXIMUM OF ½ PSI (14" WC). IF THE GAS SUPPLY LINE PRESSURE EXCEEDS THIS MAXIMUM, A STEP DOWN REGULATOR WILL BE REQUIRED AND MUST BE INSTALLED IN ACCORDANCE WITH LOCAL CODES.

THE RED AIR-VENT CAP IS PART OF THE REGULATOR AND SHOULD NOT BE REMOVED, UNLESS LOCAL CODES REQUIRE EXTERNAL VENTING. IF EXTERNAL VENTING IS REQUIRED, INSTALL IN ACCORDANCE WITH LOCAL CODES.

3. A certified flexible gas hose and quick disconnect assembly with suitable strain relief is recommended for connection from the gas supply line to the unit. This will allow the unit to be moved for future service.

FLEXIBLE HOSES & QUICK DISCONNECT DEVICES MUST COMPLY WITH ALL LOCAL AUTHORITIES AND CODES. IN NORTH AMERICA THIS INCLUDES ANSI Z21.69/CSA 6.16, ADDENDA Z21.69B-2006/CSA 6.16B-2006 (OR LATEST EDITION) AND ANSI Z21.41/CSA 6.9, ADDENDA Z21.41A-2005/CSA 6.16A-2005 (OR LATEST EDITION).

4. Only connect this unit to the type of gas shown on the rating plate. Operating this unit with the wrong gas type can result in abnormal performance, property damage, injury or death.
5. Ensure that any new piping, joints and connections have been made in a clean manner, so that dirt, threading chips and/or other foreign matter will not clog pilots, valves and/or controls. If necessary, purge new piping prior to connecting the appliance. Use pipe sealant that is certified for use with liquefied petroleum, for new joints and/or connections, where sealant is required.
6. When pressure testing the gas supply piping to a maximum of ½ psi (14" WC, 3.45 KPa), the appliance must be isolated from the supply line by closing the manual shut-off valve.
7. To ensure optimal operation of this unit, it is recommended that the dynamic gas supply pressure into the appliance regulator is a minimum of 1" WC higher than the pressure stated on the rating plate.

Start Up

1. Inside the unit, ensure the burners are in the correct position and the shields hanging under the burners have not rotated out of position during transit.
2. Install cast radiants over each burner and place the cooking grates in position on the unit.
3. Ensure the gas supply to the appliance is open and the unit is connected to the power supply. Activating the one or two power switches on the right leg operates the unit.
4. Check all gas connections for leaks using a soap solution. Do not use an open flame to check for leaks. Be sure to inspect connections outside and inside the unit (ie: valves, manifold fittings and connections in the left leg channel) to make certain all connections are gas tight after shipping.
5. Verify the unit is running at the pressure stated on the rating plate as follows:

INSTALLATION Continued

FOR HEEGM24 & 36 SIZE UNITS

- Connect a manometer to the test spigot on the manifold.
- Turn on the unit and adjust the burners so that they are all set to high.
- If necessary, adjust the pressure so that the reading on the manometer matches the pressure value stated on the rating plate. To adjust the pressure, access and rotate the pressure adjustment screw on the regulator installed at the appliance.

FOR HEEGM48 & 60 SIZE UNITS

- Connect a manometer to the test spigot on the LEFT manifold.

- Turn on the LEFT side of the unit only (by activating the left switch) and adjust the burners so that they are all set to high.
 - If necessary, adjust the pressure so that the reading on the manometer matches the pressure value stated on the rating plate. To adjust the pressure, access and rotate the pressure adjustment screw on the regulator installed at the appliance.
6. Inspect the flame of each burner to determine whether adjustments to the burner air shutter are necessary. Adjustments are made by loosening the air shutter screw; rotating the shutter and re-tightening the screw. If the tips of the flame appear too yellow, the shutter should be turned to allow MORE air to enter the burner cavity. If the flames appear to be lifting off the burner ports, the shutter should be turned to allow LESS air to enter the burner cavity.

USE AND CARE

Operation

IF FOR ANY REASON YOU SMELL GAS, BEFORE, DURING OR AFTER OPERATION, TURN THE POWER OFF AND CLOSE THE MANUAL SHUT-OFF VALVE TO THE APPLIANCE. CONTACT AN AUTHORIZED SERVICE AGENT FOR SERVICE BEFORE ATTEMPTING TO RESTORE GAS SUPPLY. FOR A LIST OF AUTHORIZED SERVICE AGENTS, REFER TO THE GARLAND WEB SITE AT <http://www.garland-group.com>

1. To turn on and use this appliance, the operator simply needs to turn on the power switch(es).

FOR STANDARD 120 VOLT UNITS:

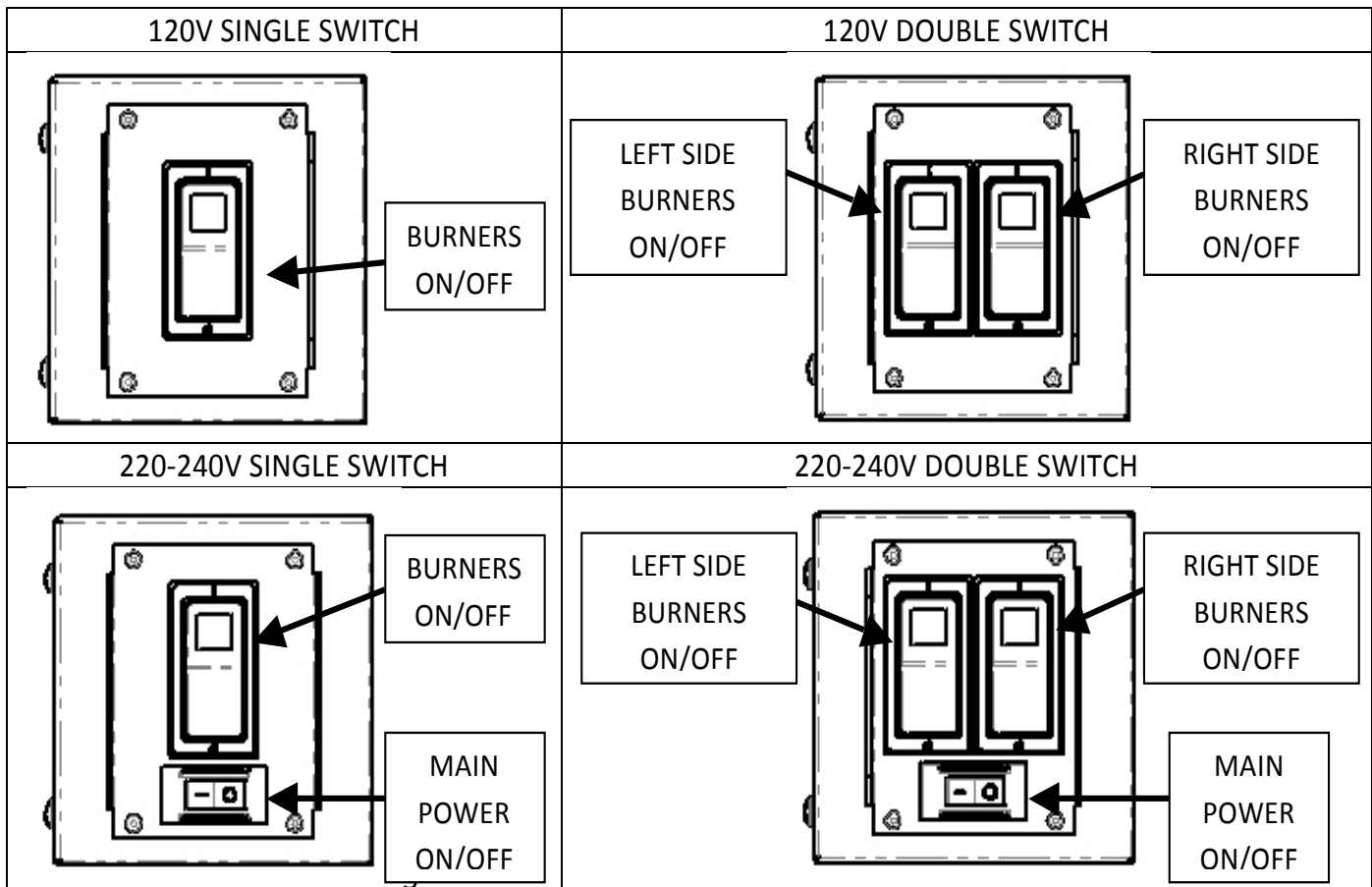
2. Models HEEGM-24CL and HEEGM-36CL have one power switch on the lower right side of the unit. Once pushed to the "ON" position, gas is supplied to all the burners. At the same time a spark is supplied to each burner to ignite the gas. Sparking will continue until a flame has been established at all burners.

3. Models HEEGM-48CL and HEEGM-60CL have two power switches on the lower right side of the unit. Once pushed to the "ON" position, they operate in the same manner as the single switch above, except they allow the operator to run the left and right side of the broiler independently as shown below:

- HEEGM-48CL: The left switch operates burners 1 to 4 on the left side of the unit. The right switch operates burners 5 to 9 on the right side of the unit. The entire unit runs when both switches are used.
- HEEGM-60CL: The left switch operates burners 1 to 6 on the left side of the unit. The right switch operates burners 7 to 11 on the right side of the unit. The entire unit runs when both switches are used.

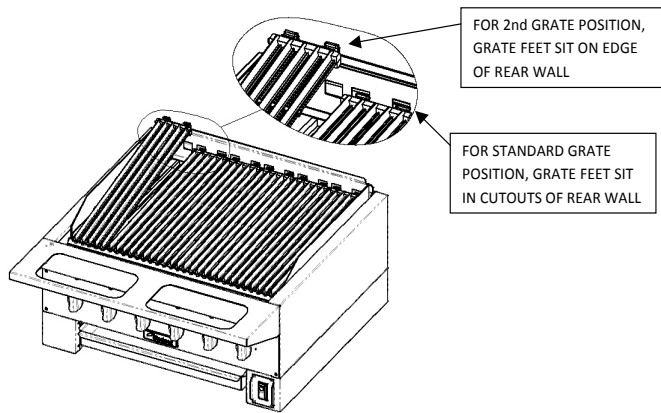
FOR OPTIONAL 220-240 VOLT UNITS, THE MAIN POWER SWITCH NEEDS TO BE TURNED ON BEFORE THE FUNCTIONALITY OF THE SWITCHES DESCRIBED IN 2 & 3 APPLY. REFER TO IMAGES BELOW FOR A VISUAL COMPARISON BETWEEN THE STANDARD 120 AND OPTIONAL 220-240V MODELS.

USE AND CARE Continued



4. Once the desired power switch(es) have been turned to the "ON" position, the burners should ignite quickly. If sparking continues and/or a burner does not light, shut down power to the unit by turning the switch(es) to the "OFF" position and wait 5 minutes before repeating ignition. If ignition fails repeatedly, shut down power to the unit and contact a qualified service technician.
5. It is recommended that the unit run for approximately 30 minutes on start up to reach the desired temperature.
6. For temperature adjustment, each burner has a control knob which will adjust the height of the flame from a high to a low position.
7. To shut off the unit, the operator simply needs to turn off the power switch(es). When shutting down for longer periods of time, it is best to also close the manual shut-off valve to the unit.
8. The cooking grates can be installed in 2 positions, to provide flexibility when preparing different types of food. To install the cooking grates in the standard position, the rear feet on the grates should be placed through the square cutouts on the rear wall of the broiler. To install the cooking grates in the elevated position, the groove in the feet of the grates should be placed on the top edge of the rear wall of the broiler. Grates must be manually moved from one position to another; and therefore, should be moved when the grates are cool.

USE AND CARE Continued



THE SIDE SHIELDS MUST ALWAYS BE IN PLACE WHEN OPERATING THIS UNIT. THE SIDE SHIELDS PREVENT THE COOKING GRATES FROM SLIDING OFF THE SIDE OF THE UNIT, WHEN THEY ARE PLACED IN THE ELEVATED POSITION.

Warnings

To ensure consistent and dependable performance of this appliance, the following are recommended:

- Do not use an extension cord to connect this unit to a power supply. Do not use this appliance if the power cord is damaged. Do not attempt to repair a damaged power cord. Take care not to expose the power cord to heat (ie: under grease tray, near flue or grate support etc) and be careful not to damage the cord by pinching under unit or rubbing on sharp edges.
- Do not lift unit by the front rail or apply excessive force to the rail to move the unit. Under no circumstances should the front rail be used as a step or standing platform (ie: to access light bulbs or grease bucket in ventilation hood). Doing so may result in serious injury and/or death; and may cause damage to your broiler and/or property.
- This appliance generates significant amounts of heat and the operator should take caution when touching accessible surfaces that are likely to get hot. Surfaces close to the cooking surface including the side panels, side shields, front rail, grease tray handle and valve panel may get hot enough to burn skin.
- Do not operate the broiler without the side shields in place as it may adversely affect the performance of the unit and/or allow heat to migrate to neighboring equipment/property causing damage. The shields also prevent the cooking grates from sliding off the side of the unit when they are placed in the elevated position.

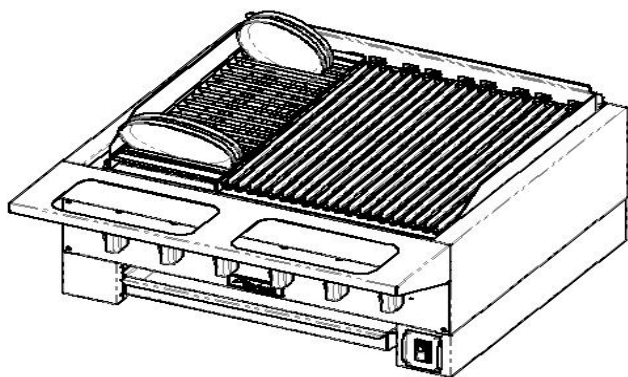
- Use of foil in the grease tray is not recommended. However, if foil is being used, it must be kept tight to the tray so that it does not obstruct the flow of air into and around the unit, particularly between the grease tray and the valve panel.
- It is important that the grease trays are emptied on a regular basis. Flare ups in the grease tray are possible with this type of appliance and excessive amounts of grease in the tray can lead to a sustained flare up or fire, which can be dangerous and result in personal and/or property damage.
- Do not operate the broiler without the grease drawers in place and ensure they are always fully pushed in. Failing to do so may result in grease and/or debris spilling onto the counter, stand and/or refrigerated base top.
- Do not attempt to service this appliance unless you are a qualified service technician. This appliance is connected to live electrical power. Disconnect power before attempting to clean/remove accessible metal panels.
- Without proper cleaning & maintenance, this appliance will accumulate oil and grease. This may result in reduced performance, excessive flare ups and/or fire. It is the user's responsibility to prevent the hazards of grease accumulation by cleaning & maintaining their appliance on a regular basis. Garland will not be responsible for performance reductions and/or fires resulting from misuse and/or poor cleaning & maintenance habits.
- If this appliance experiences abnormal flare ups and/or sustained fire in any area other than the combustion chamber (ie: the grease tray, behind the valve panel or in the leg channel), the unit must be shut down immediately and should not be used until it has been serviced by a qualified technician and deemed safe to operate.

Optional Equipment

As an option, your appliance may have been supplied with a special top grate designed to hold and heat fajita pans. This appliance is certified to use only one of these fajita pan grates at a time. Installing multiple fajita pan grates on one appliance is prohibited and could void your warranty.

The fajita pan grate has been designed to accommodate only one fajita pan per slot, in either the vertical or horizontal position, as shown in the image below. Placing multiple fajita pans in one slot and/or placing fajita pans flat on this grate or the standard grate may cause damage to the broiler and could void your warranty.

USE AND CARE Continued



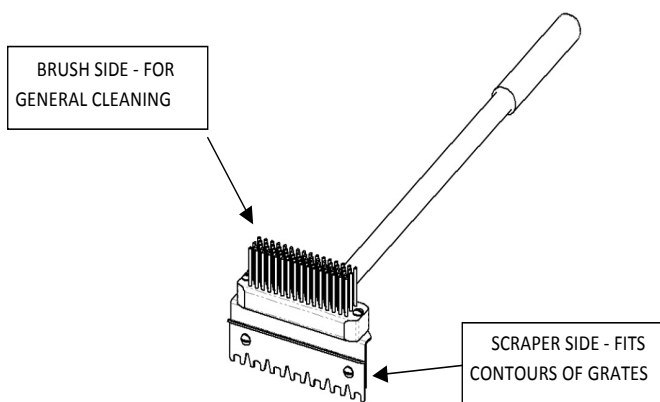
THE FAJITA PAN GRATE IS INSTALLED ON THE UNIT IN THE SAME MANNER AS THE STANDARD GRATE IN THE STANDARD POSITION. FEET ON THE REAR OF THE FAJITA GRATE SIT IN THE SQUARE CUTOUTS ON THE REAR WALL.

CLEANING AND MAINTENANCE

THIS APPLIANCE WILL PERFORM OPTIMALLY AND LAST LONGER IF IT IS PROPERLY MAINTAINED. FOLLOWING A CLEANING SCHEDULE AND HAVING THE UNIT CHECKED PERIODICALLY BY AN AUTHORIZED SERVICE AGENT ARE STRONGLY RECOMMENDED. FOR A LIST OF AUTHORIZED SERVICE AGENTS, REFER TO THE GARLAND WEB SITE AT <http://www.garland-group.com>

General

This appliance has been supplied with a combination brush/scraper tool for cleaning your cooking grates. The scraper side of the tool has stainless steel teeth, designed specifically to fit the contours of the cooking grate and will clean hard to remove debris. The brush side of the tool has stainless steel wire bristles which can be used to remove finer debris and for general cleaning.



Warnings

- Never place a sheet pan or other large obstruction over the grates when the broiler is hot. Covering the grates and running the broiler as a method of cleaning is prohibited. Doing so, may cause damage to your broiler and/or property; endanger the safety of others; and void your warranty.

- This appliance is connected to live electrical power. Disconnect power before attempting to clean/remove accessible metal panels.
- Do not spray or pour water on the unit to clean. This appliance has several electronic components behind access panels that can be damaged or become unsafe if exposed to water. This unit should only be cleaned by wiping down with a damp cloth.
- Do not attempt to clean the grates by burning off grease/debris. The cooking grates on this unit are shielded from open flame by the radiants. Attempting to burn off grease/debris will likely have the opposite effect and cause the grease/debris to stick even more.
- When cleaning cast iron components such as the cooking grates; radiants; and burners, do not handle these components roughly. Dropping them on the floor or in the sink may cause them to crack and/or break.
- Cast iron components are susceptible to cracking/breaking if they are thermally shocked. Do not expose hot cooking grates, radiants; and/or burners to cold water. These components must be allowed to properly cool before they are washed with water.
- Do not use steel wool, abrasive cloths, cleaners or powders to clean stainless steel. Do not use a metal scraper, knife or other tool to scrape stainless steel. Doing so may cause irreparable scratches on the stainless steel material.

Cleaning During Operations

1. It is important to clean the grates periodically during daily operations, using the tool provided or any other cleaning tool of preference. Cleaning the grates as needed throughout the day will limit the effects of grease

CLEANING AND MAINTENANCE Continued

accumulation, which include excess smoke; flare ups; fires and sub-par product.

2. The grease trough and chute should be kept clean during daily operations to prevent grease from accumulating near the cook surface. If necessary, stagnant grease and/or food particles should be directed to the grease chute using a standard 3" wide turner. If necessary, this turner can also be used to push items/grease in the grease chute down into the grease drawer.
3. The grease drawer(s) should be emptied periodically during daily operations. Every environment differs, so the frequency of this action will vary depending on amount and type of product being cooked. Keeping the amount of grease in the drawer to a minimum greatly reduces the chance of flare ups and sustained fire.

Daily Cleaning

1. Scrape and/or brush the cooking grates using the tool provided or any other cleaning tool of preference while the grates are still warm. Once the grates have cooled, remove them from the unit and wash them in a hot soapy solution. Dry the grates immediately after washing and lightly season with non-toxic oil (liquid vegetable oil or spray) before re-installing on the unit. Properly drying and seasoning the grates will prevent them from rusting.

DO NOT SEASON GRATES WHILE THEY ARE ON THE APPLIANCE. SEASONING GRATES OVER AN OPEN FLAME MAY RESULT IN DANGEROUS FLARE UPS AND/OR A FLASH FIRE.

2. Wire brush the radiants clean using the tool provided or any other cleaning tool of preference. Once the radiants have cooled, remove them from the unit and wash them in a hot soapy solution.
3. Scrape the grease trough and chute, directing any grease/debris into the grease drawer (s). Empty the grease drawer(s), scraping out stubborn grease/debris. Wash the grease drawer(s) in a hot soapy solution.
4. Once the unit has cooled, accessible stainless steel panels should be cleaned with a hot soapy solution and/or a food safe liquid cleaner designed to clean stainless steel. Never spray or pour water on the unit to clean. Always disconnect electrical power before cleaning accessible panels.

Weekly/Periodic Cleaning

In addition to the daily cleaning tasks outlined above, the following should be done weekly/periodically:

1. Once the unit has cooled, remove the side shields from the unit by sliding them up and then off the shoulder bolts. Clean the side shields with a hot soapy solution and/or a food safe liquid cleaner designed to clean stainless steel.
2. Remove the burners and hanging shields from the unit as follows:
 - Remove the pins at the rear of the burner
 - Lift the burner peg up and out of the bracket at the rear
 - Slide the burner back and off the orifice
 - Angle the front of the burner down and then remove from unit

The burners on the far left and right of the unit should be removed last

WHEN REMOVING BURNERS FROM THE UNIT, TAKE CARE NOT TO MOVE AND/OR BEND THE IGNITION PROBES. MOVING OR BENDING THE PROBES CAN CRACK THE CERAMIC INSULATING MATERIAL, ALTER THE SPARK GAP OR MISALIGN WITH BURNER LIGHTING PORTS WHICH MAY RENDER THE UNIT INOPERABLE.

Clean the burners and their hanging shields in a hot soapy solution, paying attention to ensure that all burner ports are free and clear of debris. Pay particular attention to the small lighting holes at the front of the burner. These holes must remain clear to ensure the appliance ignites and functions properly.

ENSURE THE POWER SUPPLY IS DISCONNECTED BEFORE PROCEEDING.

3. With all the components removed from the cooking chamber, wipe down the interior with a hot soapy solution taking care to avoid the ignition probes. With the cooking chamber cleaned, components can be put back in.

WHEN PUTTING THE BURNERS BACK IN THE UNIT, TAKE CARE NOT TO MOVE AND/OR BEND THE IGNITION PROBES. BURNERS ON THE FAR LEFT & RIGHT SIDE OF THE UNIT MUST BE PUT IN FIRST. ENSURE THE PINS AT THE REAR ARE RE-INSTALLED TO SECURE THE BURNERS IN PLACE.

4. Once the unit has been returned to its original state, verify that the burners ignite correctly. Slight front to back adjustments may be required to ensure quick and accurate lighting after cleaning.

CLEANING AND MAINTENANCE Continued

Maintenance

Any maintenance involving the disassembly of components should be performed by a qualified service technician as part of a regular kitchen maintenance program. Periodic inspections should be done to check temperatures, verify performance and make any adjustments as necessary. In addition, cleaning behind non-accessible panels; such as the front panel and/or leg panels, should also be done during regular maintenance.

Service and Parts

If for any reason this appliance requires service, contact your local authorized Garland service agency. All repairs must be performed by a qualified technician, using genuine Garland replacement parts or risk negating the warranty. For a list of Authorized Service Agents, to view a Genuine Parts list for your appliance and/or to contact the Garland Service Department, visit the Garland web site at: <http://www.garland-group.com> or call (800) 427-6668.

Refer to the rating plate when calling for service. It contains the model number and serial number for your appliance. Properly identifying the appliance will help the factory or your local service agent provide faster and more accurate service. The rating plate can be found on the inside face of the left leg. The grease drawer may need to be removed in order to read the information

 **Garland**[®]



3. Tous les composants étant retirés de la chambre de cuisson, essuyer l'intérieur avec de l'eau savonneuse chaude en faisant attention à éviter les sondes d'allumage. La chambre de cuisson étant nettoyée, il est possible de remettre les composants en place

EN REMETTANT LES BRÛLEURS DANS L'UNITÉ, FAIRE ATTENTION À NE PAS DÉPLACER NI PLIER LES SONDES D'ALLUMAGE. LES BRÛLEURS COMPLÈTEMENT À GAUCHE ET À DROITE DE L'UNITÉ DOIVENT ÊTRE INSTALLÉS EN PREMIER. S'ASSURER QUE LES GOUPILLES À L'ARRIÈRE SONT REMONTÉES POUR MAINTENIR LE BRÛLEUR EN PLACE.

4. Une fois que l'unité a été remise dans son état d'origine, vérifier que les brûleurs s'allument correctement. De petits ajustements d'avant en arrière peuvent être nécessaires pour assurer un allumage rapide et précis après le nettoyage.

Entretien

Tout entretien impliquant le démontage des composants doit être effectué par un technicien de service qualifié dans le cadre d'un programme régulier de maintenance de la cuisine. Des inspections périodiques doivent être effectuées pour vérifier les températures, et les performances et pour effectuer les réglages nécessaires. De plus, un nettoyage derrière les panneaux non accessibles, comme le panneau avant et/ou les panneaux des pieds, doit également être effectué lors de l'entretien régulier.

Réparations et pièces de rechange

Si, pour une raison quelconque, cet appareil a besoin de réparations, contacter l'agence de service agréée locale Garland. Toutes les réparations doivent être effectuées par un technicien qualifié, utilisant des pièces de rechange d'origine Garland sous peine d'annuler la garantie. Pour obtenir la liste des agents de service agréés, pour afficher la liste des pièces d'origine de votre appareil et/ou pour contacter le département de service Garland, visitez le site Web Garland à l'adresse suivante : <http://www.garland-group.com> ou appelez le (800) 427-6668.

Consulter la plaque signalétique pour appeler le département de service. Elle contient le numéro de modèle et le numéro de série de votre appareil. Une identification correcte de l'appareil aidera l'usine et l'agent de service local à offrir un service plus rapide et plus précis. La plaque signalétique se trouve sur la face intérieure du pied avant. Il est possible que l'on doive retirer le tiroir à graisse pour pouvoir lire les informations.

Nettoyage pendant le fonctionnement

1. Il est important de nettoyer périodiquement les grilles pendant l'utilisation quotidienne, en utilisant l'outil fourni ou tout autre outil de nettoyage si on préfère. Le nettoyage des grilles si nécessaire pendant la journée limitera les effets de l'accumulation de graisse, à savoir l'excès de fumée, les inflammations, les feux et sous-produits.

2. La gouttière à graisse et la rigole doivent être maintenues propres pendant les opérations quotidiennes pour empêcher la graisse de s'accumuler près de la surface de cuisson. Si nécessaire, la graisse stagnante et/ou les particules d'aliments devront être dirigées vers la rigole à graisse en utilisant une spatule standard de 3 po de large. Si nécessaire, cette spatule peut aussi être utilisée pour pousser les débris/la graisse dans la rigole à graisse puis dans le tiroir à graisse.
3. Il est nécessaire de vider le(s) tiroir(s) à graisse périodiquement pendant les opérations quotidiennes. Chaque environnement est différent et la fréquence de cette action variera en fonction de la quantité et du type de produit cuit. En maintenant la quantité de graisse dans le tiroir au minimum, on réduit grandement les risques d'inflammations et de feu.

Nettoyage quotidien

1. Grattez et/ou brossez les grilles de cuisson avec l'outil fourni ou n'importe quel autre outil de nettoyage pendant que les grilles sont encore tièdes. Une fois que les grilles ont refroidi, les retirer de l'unité et les laver dans de l'eau savonneuse chaude. Sécher immédiatement les grilles après les avoir lavées et les apprêter légèrement avec de l'huile non toxique (huile végétale liquide ou pulvérisée) avant de les remettre en place sur l'unité. Un séchage et un apprêtage corrects des grilles les empêcheront de rouiller.

NE PAS APPRÊTER LES GRILLES PENDANT QU'ELLES SONT SUR L'APPAREIL. L'APPRÊTAGE DES GRILLES AU-DESSUS D'UNE FLAMME NUE PEUT CAUSER DES INFLAMMATIONS DANGEREUSES ET/OU UN FEU ÉCLAIR.

2. Brossez les radiants avec l'outil fourni ou un autre outil de nettoyage si vous préférez. Une fois que les radiants ont refroidi, les retirer de l'unité et les laver dans de l'eau savonneuse chaude

3. Grattez la gouttière à graisse et la rigole, en dirigeant la graisse et les débris dans le(s) tiroir(s) à graisse. Vider le(s) tiroir(s) à graisse en grattant la graisse/les débris attachés. Laver le(s) tiroir(s) à graisse dans l'eau savonneuse chaude.

Nettoyage hebdomadaire/périodique

- En plus des tâches de nettoyage quotidiennes indiquées ci-dessus, les tâches suivantes devront être effectuées chaque semaine/périodiquement :
1. Une fois que l'unité a refroidi, retirer les écrans latéraux de l'unité en les faisant glisser vers le haut et en les dégageant ensuite des boulons épaués. Nettoyer les écrans latéraux avec de l'eau savonneuse chaude et/ou un produit nettoyant liquide compatible avec les produits alimentaires et conçu pour nettoyer l'acier inoxydable.
 2. Retirer les brûleurs et les écrans suspendus de l'unité en procédant comme suit :

- Retirer les goupilles à l'arrière du brûleur.
- Soulever la cheville du brûleur vers le haut et hors du support à l'arrière
- Faire glisser le brûleur vers l'arrière et hors de l'orifice.
- Incliner l'avant du brûleur vers le bas et le retirer de l'unité

Les brûleurs complètement à gauche et à droite de l'unité doivent être retirés en dernier.

EN RETIRANT LES BRÛLEURS DE L'UNITÉ, FAIRE ATTENTION À NE PAS DÉPLACER NI PLIER LES SONDES D'ALLUMAGE. LE FAIT DE DÉPLACER OU PLIER LES SONDES PEUT FISSURER LE MATÉRIAU ISOLANT EN CÉRAMIQUE, ENDOMMAGER L'ÉCLAPEUR À ÉTINGELLES OU MODIFIER L'ALIGNEMENT AVEC LES ORIFICES D'ALLUMAGE DES BRÛLEURS, CE QUI PEUT RENDRE L'UNITÉ INUTILISABLE.

Nettoyer les brûleurs et leurs écrans suspendus dans une solution savonneuse chaude, en faisant attention à s'assurer que tous les orifices des brûleurs ne sont pas bouchés par des débris. Faire particulièrement attention aux petits trous d'allumage à l'avant du brûleur. Ces trous doivent rester dégagés pour que l'unité s'allume et fonctionne correctement.

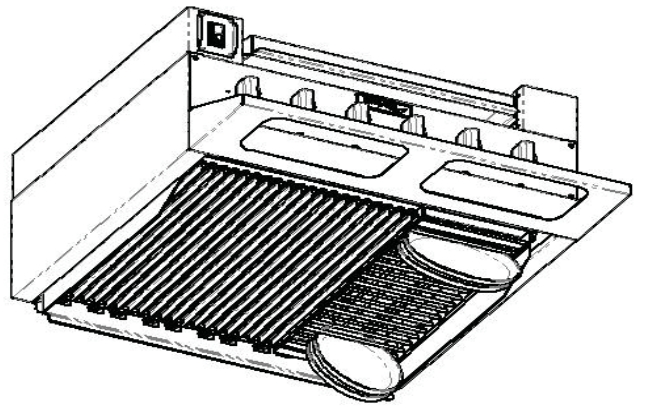
ASSURER QUE L'ALIMENTATION ÉLECTRIQUE EST DÉBRANCHÉE AVANT DE CONTINUER.

UTILISATION ET ENTRETIEN suite

cela pourrait annuler la garantie.

La grille pour poêles à fajitas a été conçue pour accueillir une poêle à fajitas par fente, en position verticale ou horizontale, comme illustré sur l'image ci-dessous. Le fait de placer plusieurs poêles à fajitas dans une fente et/ou de placer les poêles à fajitas à plat sur cette grille ou la grille standard peut endommager le grill et pourrait annuler la garantie.

LA GRILLE POUR POÊLES À FAJITAS EST INSTALLÉE SUR L'UNITÉ DE LA MÊME FAÇON QUE LA GRILLE STANDARD EN POSITION STANDARD. LES PIEDS À L'ARRIÈRE DE LA GRILLE À FAJITAS SONT POSÉS DANS LES DÉCOUPES CARRÉES DE LA PAROI ARRIÈRE.



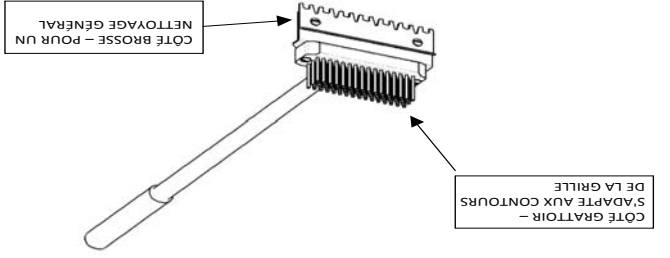
ENTRETIEN ET NETTOYAGE

Généralités

CET APPAREIL FONCTIONNERA DE FAÇON OPTIMALE ET DURERA PLUS LONGTEMPS S'IL EST ENTRETENU CORRECTEMENT. IL EST FORTEMENT RECOMMANDÉ DE SUIVRE UN CALENDRIER DE NETTOYAGE ET DE FAIRE VÉRIFIER L'UNITÉ PÉRIODIQUEMENT PAR UN AGENT DE SERVICE AGRÉÉ. POUR OBTENIR UNE LISTE DES AGENTS DE SERVICE AGRÉÉS, CONSULTER LE SITE WEB DE GARLAND À L'ADRESSE <http://www.garland-group.com>

- Cet appareil est relié à une alimentation électrique sous tension. Débrancher l'alimentation avant d'essayer de nettoyer/déposer les panneaux métalliques accessibles.
- Ne pas pulvériser ni verser de l'eau sur l'unité pour la nettoyer. Cet appareil comporte plusieurs composants électroniques derrière les panneaux d'accès qui peuvent être endommagés ou devenir dangereux s'ils sont exposés à l'eau. Cette unité doit seulement être nettoyée en l'essuyant avec un chiffon humide.
- Ne pas essayer de nettoyer les grilles en brûlant les graisses/débris. Les grilles de cuisson de cette unité sont protégées des flammes nues par les radiants. Le fait d'essayer de brûler la graisse/les débris risque d'avoir l'effet inverse et de faire coller encore plus la graisse et les débris.
- Lors du nettoyage des composants en fonte comme les grilles de cuisson, les radiants et les brûleurs, ne pas manipuler ces composants avec brutalité. Le fait de les laisser tomber sur le sol ou dans l'évier peut causer des fissures et/ou les casser.
- Les composants en fonte sont susceptibles de se fissurer/se casser en cas de choc thermique. Ne pas exposer à l'eau froide les grilles de cuisson, les radiants et/ou les brûleurs chauds. On doit laisser refroidir ces composants correctement avant de les laver à l'eau.
- Ne pas utiliser de laine d'acier, de tissus, de poudres ou de produits de nettoyage abrasifs pour nettoyer l'acier inoxydable. Ne pas utiliser de grattoir métallique, de couteau ou tout autre outil pour gratter l'acier inoxydable. Cela peut causer des rayures irréparables sur l'acier inoxydable.

Cet appareil a été livré avec un outil comportant une brosse métallique et un grattoir combinés pour le nettoyage des grilles de cuisson. Le côté grattoir de l'outil comporte des dents en acier inoxydable spécialement conçues pour s'adapter aux contours de la grille de cuisson et nettoyer les débris difficiles à retirer. Le côté brosse de l'outil est doté de fils en acier inoxydable et peut être utilisé pour éliminer les débris plus petits et pour un nettoyage général.



Avertissements

- Ne jamais placer de plateau ou d'autres grands ustensiles de cuisine sur les grilles quand le grill est chaud. Il est interdit de couvrir les grilles et de faire fonctionner le grill pour le nettoyage. Cela peut endommager le grill et/ou causer d'autres dommages matériels, mettre en danger la sécurité des autres et annuler la garantie.

matériaux voisins, causant des dommages. Les écrans empêchent également les grilles de cuisson de glisser sur le côté de l'unité quand elles sont placées en position élevée.

- Il n'est pas recommandé d'utiliser du papier d'aluminium dans le plateau à graisse. Cependant, en cas d'utilisation de papier d'aluminium, il doit être maintenu contre le plateau de façon à ne pas obstruer la circulation de l'air vers et autour de l'unité, en particulier entre le plateau à graisse et le panneau des robinets.

- Il est important que les plateaux à graisse soient vidés régulièrement. Les plateaux à graisse risquent de prendre feu avec ce type d'appareil et une quantité excessive de graisse dans le plateau peut entraîner une inflammation ou un feu soutenu, qui peuvent être dangereux et causer des blessures et/ou dommages matériels.

- Ne pas utiliser le grill sans les tiroirs à graisse en place et vérifier qu'ils sont toujours bien enfoncés. Tout manquement à cette instruction peut causer un déversement de graisse et/ou débris sur le comptoir, le socle et/ou le dessus de la base réfrigérée.

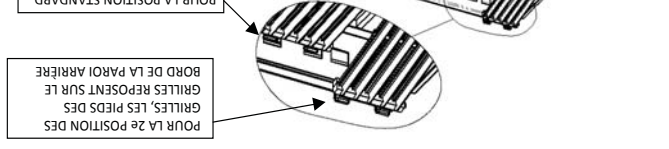
- Ne pas essayer de réparer cet appareil si l'on n'est pas un technicien de service qualifié. Cet appareil est relié à une alimentation électrique sous tension. Débrancher l'alimentation avant d'essayer de nettoyer/déposer les panneaux métalliques accessibles.

- Sans nettoyage et entretien corrects, cet appareil accumulera l'huile et la graisse. Cela peut causer une dégradation des performances, des inflammations et/ou un feu soutenu. Il est de la responsabilité de l'utilisateur d'éviter les risques d'accumulation de graisse en nettoyant et en entretenant l'appareil de façon régulière. Garland n'est pas responsable des réductions des performances et/ou des incendies résultant d'un mauvais usage et/ou de mauvaises habitudes de nettoyage et d'entretien.

- En cas d'inflammations anormales et/ou de feu soutenu dans n'importe quel endroit autre que la chambre de combustion (p. ex. dans le plateau à graisse, derrière le panneau des robinets ou dans la gouttière du pied), l'unité doit être arrêtée immédiatement et ne doit pas être utilisée avant d'avoir été réparée par un technicien qualifié et jugée sûre à l'utilisation

Équipement optionnel

En option, votre appareil a peut-être été livré avec une grille spéciale conçue pour accueillir et chauffer les poêles à fajitas. Cet appareil est certifié pour utiliser une seule de ces grilles pour poêles à fajitas à la fois. Il est interdit d'installer plusieurs grilles pour poêles à fajitas sur un seul appareil et



LES ÉCRANS LATÉRAUX DOIVENT TOUJOURS ÊTRE EN PLACE LORS DE L'UTILISATION DE CETTE UNITÉ. LES ÉCRANS LATÉRAUX EMPÊCHENT LES GRILLES DE CUISSON DE GLISSER SUR LE CÔTÉ DE L'UNITÉ QUAND ELLES SONT PLACÉES EN POSITION ÉLEVÉE.

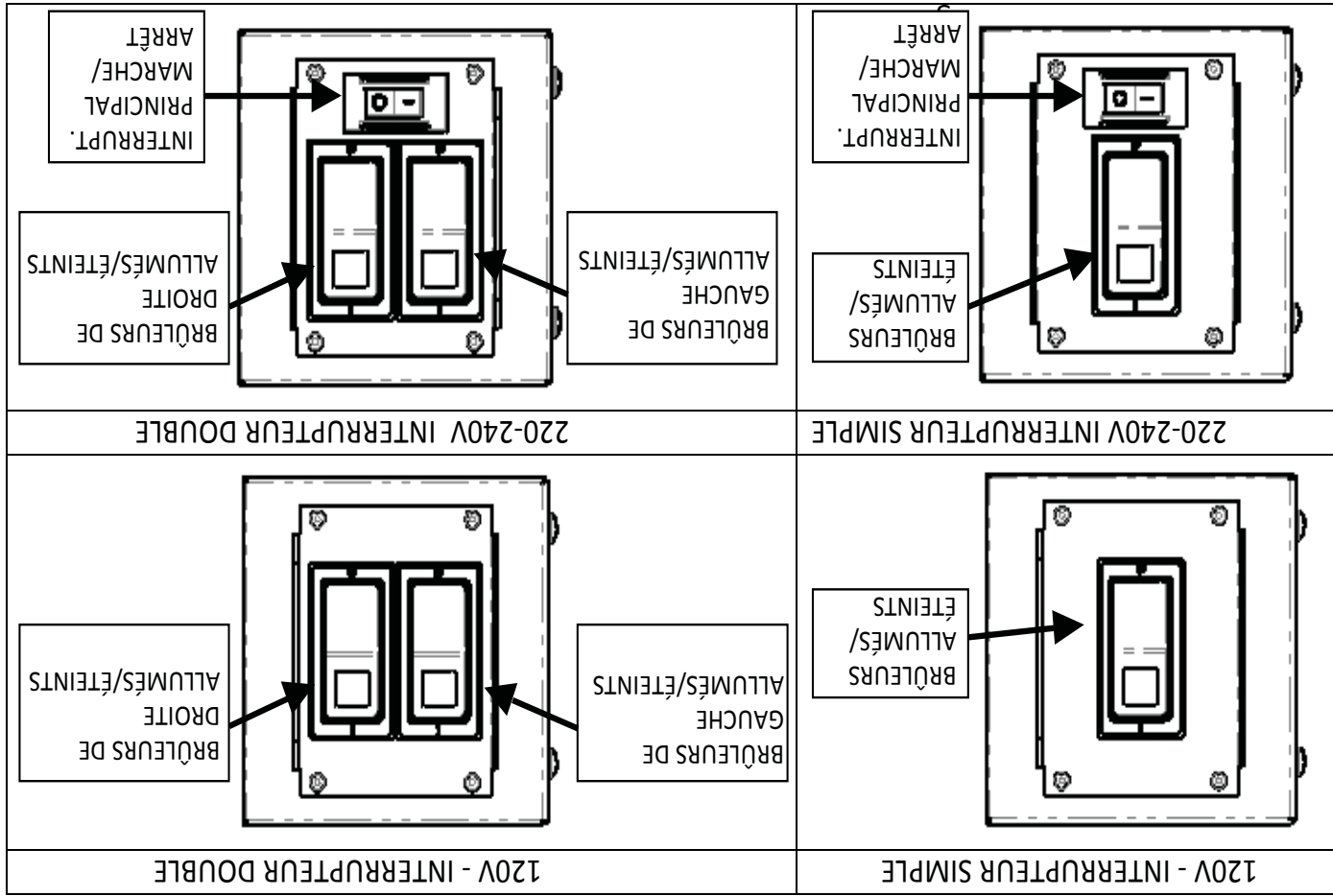
Avertissements

Pour obtenir des résultats réguliers et fiables de cet appareil, il est recommandé de suivre les instructions suivantes :

- NE pas utiliser de rallonge pour connecter cette unité à une prise de courant. Ne pas utiliser cet appareil si le cordon d'alimentation est endommagé. Ne pas essayer de réparer un cordon d'alimentation endommagé. Faire attention à ne pas exposer le cordon d'alimentation à la chaleur (p. ex. sous le plateau à graisse, près du conduit de fumées ou du support des grilles, etc.) et à ne pas endommager le cordon en le pinçant sous l'unité en frottant contre des bords coupants.

- Ne pas soulever l'unité par le rail avant ni exercer de force excessive sur le rail pour déplacer l'unité. En aucun cas le rail avant ne doit être utilisé comme marche ou marchepied (p. ex. pour accéder aux ampoules ou au bac à graisse de la hotte de ventilation). Cela risque de causer des blessures graves, voire mortelles et peut endommager le grill et/ou entraîner d'autres dommages matériels.

- Cet appareil génère d'importantes quantités de chaleur et l'opérateur doit faire attention lorsqu'il touche des surfaces accessibles qui sont susceptibles de devenir très chaudes. Les surfaces proches de la surface de cuisson, y compris les panneaux latéraux, les écrans latéraux, le rail avant, la poignée du plateau à graisse et le panneau des robinets peuvent être suffisamment chauds pour brûler la peau.
- Ne pas utiliser le grill sans les écrans latéraux en place, car cela peut nuire aux performances de l'unité et/ou permettre à la chaleur de migrer vers l'équipement /les



4. Une fois le ou les interrupteur(s) souhaité(s) en position « ON », les brûleurs devraient s'allumer rapidement. Si les étincelles continuent et/ou si un brûleur ne s'allume pas, couper l'alimentation de l'unité en mettant le ou les interrupteur(s) en position « Off » et attendre 5 minutes avant de recommencer l'allumage. Si l'allumage échoue à plusieurs reprises, couper l'alimentation de l'unité et contacter un technicien de service qualifié.
5. Il est recommandé de faire fonctionner l'unité pendant environ 30 minutes au démarrage pour atteindre la température souhaitée.
6. Pour le réglage de température, chaque brûleur est doté d'un bouton de commande qui réglera la hauteur de la flamme de haute à basse.
7. Pour arrêter l'unité, il suffit à l'opérateur de mettre le ou les interrupteur(s) en position d'arrêt. En cas d'arrêt pour une longue période de temps, il vaut mieux fermer également le robinet d'arrêt manuel de l'unité.
8. Les grilles de cuisson peuvent être installées dans deux positions pour donner plus de flexibilité lors de la préparation de types différents d'aliments. Pour installer les grilles de cuisson dans la position standard, les pieds arrière des grilles doivent être placés dans les découpes de la paroi arrière du gril. Pour installer les grilles de cuisson dans la position élevée, la rainure dans les pieds des grilles doit être placée sur le bord supérieur de la paroi arrière du gril. Les grilles peuvent être déplacées manuellement d'une position à l'autre et, par conséquent, doivent être déplacées quand elles sont froides.

3. S'assurer que l'alimentation en gaz de l'appareil est ouverte et que l'unité est reliée à l'alimentation électrique. L'activation du ou des deux interrupteur(s) électrique(s) sur le pied droit place l'unité sous tension.

4. Vérifier les fuites de gaz sur les raccords avec une solution savonneuse. Ne pas utiliser de flamme nue pour vérifier la présence de fuites! Bien inspecter tous les raccords à l'extérieur et à l'intérieur de l'unité (c.-à-d. robinets, raccords de tuyaux et collecteur) pour s'assurer que tous les raccords ne comportent pas de fuites de gaz après le transport.

5. Vérifier que l'unité fonctionne à la pression indiquée sur la plaque signalétique de la façon suivante:

- Connecter un manomètre au point d'essai de pression sur le collecteur.
- Allumer l'unité et régler les brûleurs afin qu'ils soient tous au maximum.
- Si nécessaire, régler la pression de façon à ce que l'indication sur le manomètre corresponde à la valeur

UTILISATION ET ENTRETIEN

Fonctionnement

SI, POUR UNE RAISON QUELCONQUE, VOUS SENTEZ LE GAZ AVANT, PENDANT OU APRÈS L'UTILISATION, COUPER L'ALIMENTATION ÉLECTRIQUE ET FERMER LE ROBINET D'ARRÊT MANUEL DE L'APPAREIL. CONTACTER UN AGENT D'ENTRETIEN AGRÉÉ AVANT D'ESSAYER DE RÉTABLIR L'ALIMENTATION EN GAZ. POUR OBTENIR UNE LISTE DES AGENTS DE SERVICE AGRÉÉS, CONSULTER LE SITE WEB DE GARLAND À L'ADRESSE <http://www.garland-groupe.com>

1. Pour allumer et utiliser cet appareil, l'opérateur a simplement besoin d'actionner l'interrupteur (ou les interrupteurs) électrique(s).

POUR LES UNITÉS 120 VOLTS STANDARD :

2. Les modèles HEEGM-24CL et HEEGM-36CL ont un interrupteur électrique du côté inférieur droit de l'unité.

Une fois qu'on l'a enfoncé en position « ON », tous les brûleurs sont alimentés en gaz. En même temps, chaque brûleur reçoit une étincelle pour allumer le gaz. Les étincelles continuent jusqu'à ce que tous les brûleurs soient allumés.

3. Les modèles HEEGM-48CL et HEEGM-60CL ont deux

de pression indiquée sur la plaque signalétique. Pour ajuster la pression, tourner la vis de réglage de pression sur le régulateur installé sur l'appareil.

POUR LES UNITÉS HEEGM DE 48 ET 60 PO

- Brancher un manomètre au point d'essai de pression sur le collecteur GAUCHE.
- Allumer le côté GAUCHE de l'unité seulement (en actionnant l'interrupteur de gauche) et régler les brûleurs au maximum.
- Si nécessaire, régler la pression de façon à ce que l'indication sur le manomètre corresponde à la valeur de pression indiquée sur la plaque signalétique. Pour ajuster la pression, tourner la vis de réglage de pression sur le régulateur installé sur l'appareil.

6. Inspecter la flamme de chaque brûleur pour voir s'il est nécessaire de régler l'obturbateur d'air du brûleur. Les réglages se font en desserrant la vis de l'obturbateur d'air, en tournant l'obturbateur et en resserrant la vis. Si les pointes de la flamme semblent trop jaunes, tourner l'obturbateur pour laisser PLUS d'air entrer dans la cavité du brûleur. Si les flammes semblent se détacher des orifices du brûleur, tourner l'obturbateur pour laisser MOINS d'air entrer dans la cavité du brûleur.

interrupteurs électriques du côté inférieur droit de l'unité. Une fois enfoncés en position « ON », ils fonctionnent de la même façon que l'interrupteur unique ci-dessus, sauf qu'ils permettent à l'opérateur de faire fonctionner indépendamment le côté gauche et le côté droit du grill comme illustré ci-dessous :

- HEEGM-48CL : L'interrupteur gauche actionne les brûleurs 1 à 4 du côté gauche de l'unité. L'interrupteur droit actionne les brûleurs 5 à 9 du côté droit de l'unité. Toute l'unité fonctionne quand les deux interrupteurs sont utilisés.
- HEEGM-60CL : L'interrupteur gauche actionne les brûleurs 1 à 6 du côté gauche de l'unité. L'interrupteur droit actionne les brûleurs 7 à 11 du côté droit de l'unité. Toute l'unité fonctionne quand les deux interrupteurs sont utilisés.

POUR LES UNITÉS 220-240 VOLTS EN OPTION, L'INTERRUPTEUR PRINCIPAL DOIT ÊTRE ACTIONNÉ AVANT DE POUVOIR UTILISER LES INTERRUPTEURS COMME DÉCRIT AUX POINTS 2 ET 3. CONSULTER LES IMAGES CI-DESSOUS POUR UNE COMPARAISON VISUELLE ENTRE LES MODÈLES 120 V STANDARD ET LES MODÈLES 220-240 V EN OPTION.

2. Les unités livrées sans cordon sont destinées à être utilisées avec une alimentation 220-240 V monophasée (PHASE À PHASE). L'appareil doit être équipé d'un cordon d'alimentation approprié avec réducteur de tension et être connecté à une alimentation électrique appropriée par un électricien certifié conformément aux codes locaux.

Connexion du gaz

VÉRIFIER QUE LE COMPTEUR À GAZ ET LA TUYAUTERIE SONT DE DIAMÈTRE ADAPTÉ POUR LE DÉBIT ET LA PRESSION DE GAZ NÉCESSAIRES POUR FAIRE FONCTIONNER TOUTS LES APPAREILS DE LA CUISINE. DES TUYAUTERIES DE GAZ SOUS-DIMENSIONNÉES PEUVENT AFFECTER LE FONCTIONNEMENT DE CET ÉQUIPEMENT ET/OU DES AUTRES. EN CAS DE DOUTE, CONSULTER LE FOURNISSEUR LOCAL DE GAZ.

UN ROBINET D'ISOLEMENT MANUEL OU AUTOMATIQUE DOIT ÊTRE INSTALLÉ SUR L'ALIMENTATION EN GAZ DE LA CUISINE POUR POUVOIR Y ACCÉDER EN CAS D'URGENCE. LE POINT D'ACCÈS AU ROBINET MANUEL OU AUTOMATIQUE DOIT ÊTRE FACILEMENT ACCESSIBLE ET SITUÉ À L'EXTÉRIEUR DE LA CUISINE OU PRÈS D'UNE SORTIE. AFFICHER L'AVIS SUIVANT PRÈS DU POINT D'ACCÈS AU ROBINET MANUEL OU AUTOMATIQUE :

« TOUTS LES ROBINETS DES BRÛLEURS ET VEILLEUSES EN AVAL DOIVENT ÊTRE FERMÉS AVANT DE RÉTABLIR L'ALIMENTATION EN GAZ. APRÈS UN ARRÊT PROLONGÉ, PURGER AVANT DE RÉTABLIR L'ALIMENTATION. »

1. Un robinet d'arrêt du gaz doit être installé sur la conduite d'alimentation en amont de l'appareil pour la sécurité et pour faciliter les réparations ultérieures. Le robinet d'arrêt devra être placé de façon à être facilement atteint en cas d'urgence. Le robinet d'arrêt est normalement fourni par l'installateur.

2. L'appareil est expédié avec un réducteur de pression du gaz. Il doit être installé sur l'appareil avant de brancher l'équipement à la conduite de gaz. Chaque appareil doit avoir son propre réducteur de pression. Faire attention à installer le réducteur de pression en fonction du sens de débit du gaz et à vérifier que le marquage de pression correspond au type de gaz. L'absence de réducteur annulera la garantie sur l'équipement.

AVANT DE BRANCHER LE RÉGULATEUR, VÉRIFIER LA PRESSION DE LA CONDUITE D'ALIMENTATION EN GAZ. LE RÉGULATEUR FOURNI AVEC L'UNITÉ EST CONÇU POUR UNE PRESSION NOMINALE MAXIMUM DE ½ LB/PO² (14 PO CE). SI LA PRESSION DE LA CONDUITE D'ALIMENTATION DÉPASSE CETTE VALEUR MAXIMALE, UN RÉGULATEUR RÉDUCTEUR SERA NÉCESSAIRE ET DEVRA ÊTRE INSTALLÉ CONFORMÉMENT AUX CODES LOCAUX.

LE BOUCHON DE VENTILATION FAIT PARTIE DU RÉGULATEUR ET NE DOIT PAS ÊTRE RETIRÉ À MOINS QUE LES CODES LOCAUX EXIGENT UNE VENTILATION VERS L'EXTÉRIEUR. SI UNE VENTILATION VERS L'EXTÉRIEUR EST NÉCESSAIRE, L'INSTALLER CONFORMÉMENT AUX CODES LOCAUX.

3. Un tuyau de gaz souple certifié et un raccord à débranchement rapide avec réducteur de tension convenable sont recommandés pour raccorder la conduite d'alimentation à l'unité. Cela permettra de déplacer l'unité en cas de réparation.

LES TUYAUX SOUPLES ET RACCORDS À DÉBRANCHEMENT RAPIDE DOIVENT ÊTRE CONFORMES AUX AUTORITÉS ET CODES LOCAUX. EN AMÉRIQUE DU NORD, CELA COMPREND LES NORMES ANSI Z21.69/CSA 6.16, ADDENDA Z21.69B-2006/CSA 6.16B-2006 (OU DERNIÈRE ÉDITION) ET ANSI Z21.41/CSA 6.9, ADDENDA Z21.41A-2005/CSA 6.16A-2005 (OU DERNIÈRE ÉDITION).

4. Branchez cette unité uniquement au type de gaz indiqué sur la plaque signalétique. L'utilisation de cette unité avec un autre type de gaz peut entraîner des performances anormales, des dommages matériels et des blessures, voire mortelles.

5. S'assurer que les nouveaux tuyaux, joints et raccords ont été installés de façon propre, afin que les saletés, copeaux de filetage et/ou tout autre corps étranger ne bouchent pas les veilleses, robinets et/ou commandes. Si nécessaire, purger les nouvelles canalisations avant de brancher l'appareil. Pour les nouveaux joints et/ou raccords, la ou du produit d'étanchéité est nécessaire, utiliser un produit d'étanchéité homologué pour une utilisation avec du gaz de pétrole liquéfié.

6. Lors de tout essai de pression des canalisations d'alimentation jusqu'à un maximum de ½ lb/po² (14 po CE, 3,45 KPa), l'appareil doit être isolé du système d'alimentation en fermant le robinet d'arrêt manuel. Pour assurer un fonctionnement optimal de cette unité, il est recommandé que la pression dynamique d'alimentation en gaz dans le réducteur de pression de l'appareil soit au minimum de 1 po CE supérieure à la pression indiquée sur la plaque signalétique.

Démarrage

1. À l'intérieur de l'unité, s'assurer que les brûleurs sont dans la position correcte et que les écrans suspendus sous les brûleurs n'ont pas tourné pendant le transport et sont toujours en place.

2. Installer les radiants en fonte sur chaque brûleur et mettre en place les grilles de cuisson sur l'unité.

2. L'unité est conçue pour être encastrée dans un plan de travail, un socle ou une base réfrigérée. On met l'unité de niveau en réglant les roulettes du socle, les pieds/roulettes de la base réfrigérée ou en utilisant des cales pour une installation dans un plan de travail.

IL EST IMPÉRATIF QUE L'UNITÉ SOIT CORRECTEMENT MISE DE NIVEAU LORS DE L'INSTALLATION POUR FONCTIONNER DE FAÇON OPTIMALE.

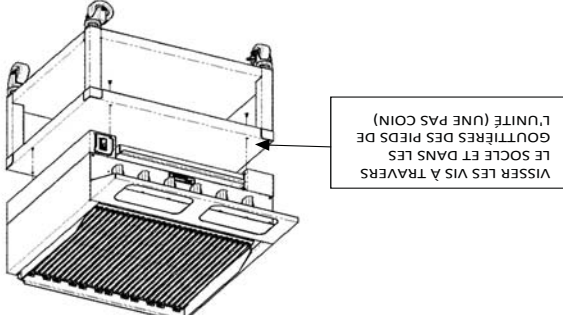
3. Pour satisfaire aux exigences NSF, l'unité doit être collée à la surface de montage avec du mastic silicone. Si possible, appliquer du mastic silicone sur la partie inférieure des deux gouttières des pieds, puis mettre l'unité en place sur la surface de montage. Sinon, appliquer du mastic silicone sur le plan de travail, puis poser l'unité sur le plan de travail en plaçant les gouttières des pieds sur le mastic silicone préappliqué. Éviter de coller les panneaux inférieurs en acier inoxydable, car il est possible que l'on doive les déposer en cas de réparation.

4. Positionner l'appareil dans un endroit éloigné de toute matière combustible. Cette unité doit être installée uniquement dans des endroits incombustibles.

5. Pour les réparations, il est possible que l'on doive accéder à l'unité par le côté. Un dégagement adéquat pour les réparations doit être prévu à l'avant de l'unité pour pouvoir déplacer suffisamment l'unité vers l'avant afin d'accéder aux composants à réparer. Tenir compte de cela pour décider de l'emplacement d'installation.

Socle en option

DES SOCS SPÉCIALEMENT CONÇUS POUR CES UNITÉS SONT DISPONIBLES À L'ACHAT. UTILISER LE SOCLE APPROPRIÉ POUR LA TAILLE DE L'UNITÉ. POUR LA SÉCURITÉ DES UTILISATEURS, NE PAS OUBLIER DE FIXER L'UNITÉ AU SOCLE AVEC 4 VIS, COMME ILLUSTRÉ CI-DESSOUS.



LES INSTRUCTIONS DE MONTAGE DES SOCS SONT FOURNIES AVEC CHAQUE SOCLE.

Alimentation en air et ventilation

LES BESOINS EN VENTILATION PEUVENT ÊTRE SOUMIS AUX CODES LOCAUX DE LA CONSTRUCTION ET DES INCENDIES. CONSULTER LES AUTORITÉS LOCALES AYANT JURIDICTION.

1. Pour tout appareil de cuisson de type professionnel, il est nécessaire de prévoir une évacuation des produits de combustion à l'extérieur du bâtiment. Cela est particulièrement important pour les grils qui génèrent des quantités importantes de fumée quand ils sont utilisés.

2. Pour cet appareil, on doit utiliser une hotte de ventilation correctement conçue, se prolongeant d'au moins six pouces (152 mm) de chaque côté de l'appareil (sauf contre le mur si la hotte est fixée au mur) et équipée de filtres et gouttières d'écoulement.

3. La circulation de l'air doit être vérifiée pendant l'installation. Une entrée d'air adaptée doit être prévue dans le bâtiment afin de compenser la quantité d'air évacuée par le système de ventilation. Sans un équilibre adapté, la pression atmosphérique sera anormale et affectera le fonctionnement des brûleurs et de l'appareil. En cas de problème de circulation d'air, un technicien qualifié doit faire les ajustements nécessaires pour corriger le problème.

SI L'ON A DES DIFFICULTÉS À OUVRIR LES PORTES DONNANT À L'EXTÉRIEUR DU BÂTIMENT, CELA INDIQUE QU'IL EXISTE UN PROBLÈME DE CIRCULATION D'AIR DANS LE BÂTIMENT.

4. Ne pas diriger les ventilateurs directement sur l'appareil et ne pas laisser de fenêtres ouvertes derrière ou à côté de l'appareil. Cela peut créer des courants d'air et/ou un tirage d'air excessif pouvant perturber le fonctionnement de l'unité

Raccordement électrique

DÉBRANCHER L'ALIMENTATION ÉLECTRIQUE AVANT TOUTE RÉPARATION

1. Les unités standard sont fournies avec un cordon d'alimentation Nema 5-15P avec un réducteur de tension approprié. Il faudra une prise 120 V 15 A 60 Hz appropriée à proximité immédiate de l'appareil. Consulter un électricien certifié en cas de doute sur la prise de courant

NE PAS UTILISER DE RALLONGE POUR CONNECTER CETTE UNITÉ À UNE PRISE DE COURANT. NE PAS UTILISER CET APPAREIL SI LE CORDON D'ALIMENTATION EST ENDOMMAGÉ. NE PAS ESSAYER DE RÉPARER UN CORDON D'ALIMENTATION ENDOMMAGÉ. FAIRE ATTENTION À NE PAS EXPOSER LE CORDON D'ALIMENTATION À LA CHALEUR OU À DES ARÊTES COUPANTES.

IL EST FORTEMENT RECOMMANDÉ DE FAIRE EFFECTUER L'INSTALLATION, L'ENTRETIEN ET LES RÉPARATIONS PAR UNE AGENCE DE SERVICES AGRÉÉE. POUR OBTENIR UNE LISTE DES AGENTS DE SERVICE AGRÉÉS, CONSULTER LE SITE WEB DE GARLAND À L'ADRESSE <http://www.garland-groupe.com>

Introduction

Garland fabrique le gril série HEEGM dans plusieurs dimensions. Même si les réparations et l'utilisation par le client peuvent varier selon les modèles, l'installation est similaire pour toute la gamme. Toutes les unités sont expédiées complètement montées, à l'exception des radiants et des grilles supérieures, qui sont emballés dans des boîtes séparées. Chaque unité est testée, ajustée et inspectée en usine avant l'expédition.

Vérification des dommages

Après avoir déballé l'unité, l'inspecter soigneusement pour vérifier la présence de dommages visibles et/ou cachés. Signaler immédiatement tout dommage au transporteur et remplir les réclamations de transport appropriées.

INSTALLATION

CE PRODUIT N'EST PAS AUTORISÉ POUR UNE UTILISATION PERSONNELLE OU RÉSIDENNELLE. GARLAND N'OFFRE PAS DE SERVICES DE RÉPARATION, GARANTIE, ENTRETIEN OU SOUTIEN DE N'IMPORTE QUELLE SORTIE POUR DES APPLICATIONS AUTRES QUE COMMERCIALES.

Généralités

Aux États-Unis, l'installation de cet appareil doit être conforme au National Fuel Gas Code ANSI Z223.1, ou la dernière édition, la norme NFPA No.54 dernière édition/ou le code local pour assurer un fonctionnement sécuritaire et efficace.

Au Canada, l'installation de cet appareil doit être conforme à la norme CSA B149.1 et aux codes locaux.

Dans les pays européens, l'installation doit être faite par une personne compétente et conformément aux règlements et codes de pratique concernés et aux publications connexes du pays de destination.

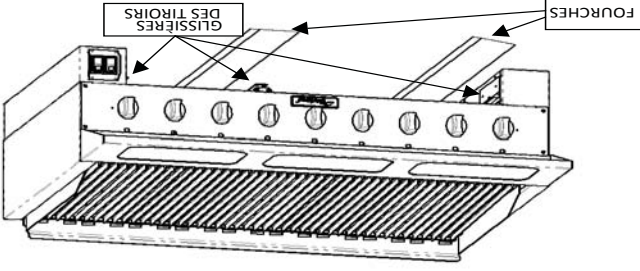
En cas de questions concernant l'installation de cette unité, contacter le département de service Garland au (800) 427-6668 ou en ligne à l'adresse <http://www.garland-groupe.com>

Plaque signalétique

La plaque signalétique se trouve sur la face intérieure du pied gauche. Il est possible que l'on doive retirer le tiroir à graisse pour pouvoir lire les informations. Si des pièces d'usure ou de rechange sont nécessaires, indiquer le numéro de modèle (comprenez les lettres/chiffres du préfixe et du suffixe) et le numéro de série figurant sur la plaque signalétique pour contacter l'usine ou l'agence de services agréée. Ces numéros permettent d'identifier correctement l'unité et contribuent à assurer un service plus rapide et plus précis. La plaque signalétique contient d'autres informations importantes, essentielles pour l'installation correcte de l'unité. Elle spécifie le type et la pression du gaz, la tension et les exigences de déchargement de l'appareil.

Positionnement et installation

1. Retirer avec précaution l'appareil de la base du carton. Une certaine forme d'assistance mécanique peut être nécessaire pour soulever et mettre en place le gril. Avec les tiroirs à graisse retirés, l'unité est conçue pour être levée avec un chariot élévateur à fourches ou un transpalette comme illustré sur l'image ci-dessous.



NE PAS SOULEVER PAR LES GLISSIÈRES DES TIROIRS À GRAISSE. FAIRE ATTENTION À ÉVITER LES GLISSIÈRES GAUCHE, DROITE ET/OU CENTRALE DES TIROIRS À GRAISSE. LORS DU POSITIONNEMENT DE L'ÉQUIPEMENT DE LEVAGE.

**Gril radiant type charbon de bois HEEGM à haute efficacité
HEEGM24CL, HEEGM36CL, HEEGM48CL & HEEGM60CL**



Caractéristiques standard :

- Construction en acier inoxydable.
- Rail avant avec découpes pour accueillir des plats d'aliments de taille 1/3 (plats non inclus).
- Grilles réversibles robustes avec bord large d'un côté et bord fin de l'autre.
- Deux positions des grilles à choisir : la position standard, avec une légère pente de 2° vers l'avant ou la seconde position, avec une pente de 10° vers l'avant et plus de distance entre le produit et le brûleur.
- Plateaux à graisse amovibles, de grande capacité.
- Brûleurs en fonte à haut rendement énergétique.
- Système complet d'interrupteur(s) marche/arrêt, pour allumer les brûleurs et les éteindre. Les modèles HEEGM24CL et 36CL ont un interrupteur et les modèles HEEGM48CL et 60CL ont deux interrupteurs.
- Chaque brûleur a un débit calorifique de 14 500 BTU pour le gaz naturel et 13 000 BTU pour le propane et est commandé individuellement par un robinet de réglage manuel.
- Cordon d'alimentation de 9 pieds avec prise NEMA 5-15P pour les modèles 120 V standard.
- Outil avec brosse métallique et grattoir combinés inclus pour le nettoyage des grilles.
- Régulateur de gaz 3/4 po pour le type de gaz applicable.

Caractéristiques en option :

- Grille en fonte robuste une face au lieu de la grille réversible standard - N/C.
- Grille pour poêles à fajitas, spécialement conçue pour maintenir au chaud/réchauffer les poêles à fajitas, au lieu des deux grilles réversibles ou une face N/C.
- Modèles 240 V fournis sans cordon, disponibles pour exportation et/ou pays hors CE..
- Des socles sont disponibles; voir la fiche technique HEMST.

Remarque : Afin de respecter les exigences NSF, il peut être nécessaire de coller l'unité à la surface de montage incombustible avec du mastic silicone.

Spécifications:

Gril à haut rendement Garland (HE), Modèle HEEGMCL avec un débit calorifique total en BTU/h en cas d'utilisation de gaz naturel. Construction en acier inoxydable avec rail avant accueillant des plats d'aliments de taille 1/3. Disponible en largeurs 24 po (600 mm) [HEEGM24CL], 36 po (900 mm) [HEEGM36CL], 48 po (1 200 mm) [HEEGM48CL] et 58 po (1 500 mm) [HEEGM60CL].

INFORMATION IMPORTANTES 2

DIMENSIONS ET SPÉCIFICATIONS 4

PRÉINSTALLATION 6

Introduction 6

Vérification des dommages 6

Plaque signalétique 5

INSTALLATION 6

Généralités 6

Positionnement et installation 6

Socle en option 7

Alimentation en air et ventilation 7

Raccordement électrique 7

Connexion du gaz 8

Démarrage 8

UTILISATION ET ENTRETIEN 9

Fonctionnement 9

Avertissements 11

Équipement optionnel 11

ENTRETIEN ET NETTOYAGE 12

Généralités 12

Avertissements 12

Nettoyage pendant le fonctionnement 13

Nettoyage quotidien 13

Nettoyage hebdomadaire/périodique 13

Entretien 14

Réparations et pièces de rechange 14

AVERTISSEMENT:

Ce produit contient des produits chimiques reconnus par l'état de Californie comme causant le cancer et/ou des malformations congénitales ou d'autres problèmes de reproduction. L'installation et l'entretien de ce produit peut vous exposer aux poussières de laine de verre/fibres céramiques. L'inhalation de ces particules de laine de verre ou de fibres céramiques est reconnue par l'état de Californie comme causant le cancer. L'utilisation de ce produit peut vous exposer au monoxyde de carbone en cas de mauvais réglage. L'inhalation de monoxyde de carbone est reconnue par l'état de Californie comme pouvant causer des malformations congénitales ou d'autres problèmes reproductifs.

Maintenir les abords de l'appareil dégagés et ne pas y stocker de produits combustibles.

Garland™

INSTRUCTIONS D'INSTALLATION ET D'UTILISATION HEEGM XX CL GRIL RADIANT À HAUTE EFFICACITÉ



LIRE TOUTES LES SECTIONS DU PRÉSENT
MANUEL ET LE CONSERVER POUR S'Y
REPORTER ULTÉRIEUREMENT.

CE PRODUIT A ÉTÉ HOMOLOGUÉ EN TANT
QU'ÉQUIPEMENT PROFESSIONNEL DE CUISSON
ET DOIT ÊTRE INSTALLÉ PAR DU PERSONNEL
PROFESSIONNEL TEL QUE SPÉCIFIÉ.

DANS L'ÉTAT DU MASSACHUSETTS, CE PRODUIT
DOIT ÊTRE INSTALLÉ PAR UN PLOMBIER OU UN
MONTEUR D'INSTALLATION AU GAZ CERTIFIÉ

Pour votre sécurité :
Placer dans un endroit bien en vue les instruc-
tions à suivre en cas d'odeur de gaz détectée
par l'utilisateur. Cette information peut être
obtenue auprès du fournisseur de gaz local.

POUR VOTRE SÉCURITÉ :
NE PAS STOCKER NI UTILISER D'ESSENCE OU
D'AUTRES VAPEURS OU LIQUIDES
INFLAMMABLES À PROXIMITÉ DE CET
APPAREIL OU DE TOUT AUTRE APPAREIL

AVERTISSEMENT :
UNE INSTALLATION, DES RÉGLAGES, DES
MODIFICATIONS, DES RÉPARATIONS OU UN
ENTRETIEN MAL FAITS PEUVENT CAUSER
DES DOMMAGES MATÉRIELS, DES
BLESSURES OU LA MORT. LIRE SOIGNEUSE-
MENT LES INSTRUCTIONS D'INSTALLATION,
D'UTILISATION ET D'ENTRETIEN
AVANT D'INSTALLER OU DE RÉPARER
L'ÉQUIPEMENT

L'attention des utilisateurs est attirée sur le fait que l'entretien et les réparations doivent être effectués par un agent d'entretien autorisé par Garland utilisant des pièces de rechange d'origine Garland. Garland n'aura aucune obligation en ce qui concerne n'importe quel produit mal installé, réglé, utilisé ou qui n'aurait pas été entrete-
nu conformément aux codes nationaux et locaux ou aux instructions d'installation fournies avec le produit ou n'importe quel produit dont le numéro de série aurait été mutilé, oblitéré ou supprimé ou qui aurait été modifié ou réparé avec des pièces non autorisées ou par des agents d'entretien non autorisés. Pour obtenir la liste des agents de service autorisés, consulter le site web de Garland à : <http://www.garland-group.com>. Les renseignements contenus dans le présent document (y compris la conception et les spécifications des pièces) peuvent être remplacés ou modifiés sans préavis.

GARLAND COMMERCIAL RANGES, LTD.
1177 Kamato Road, Mississauga, Ontario L4W 1X4
CANADA
Tél : 905-624-0260
Fax : 905-624-5669

Renseignements 1-905-624-0260
Ventes, pièces et service E.-U. 1-800-424-2411
Ventes Canada 1-888-442-7526
Pièces/Service Canada ou E.-U. 1-800-427-6668