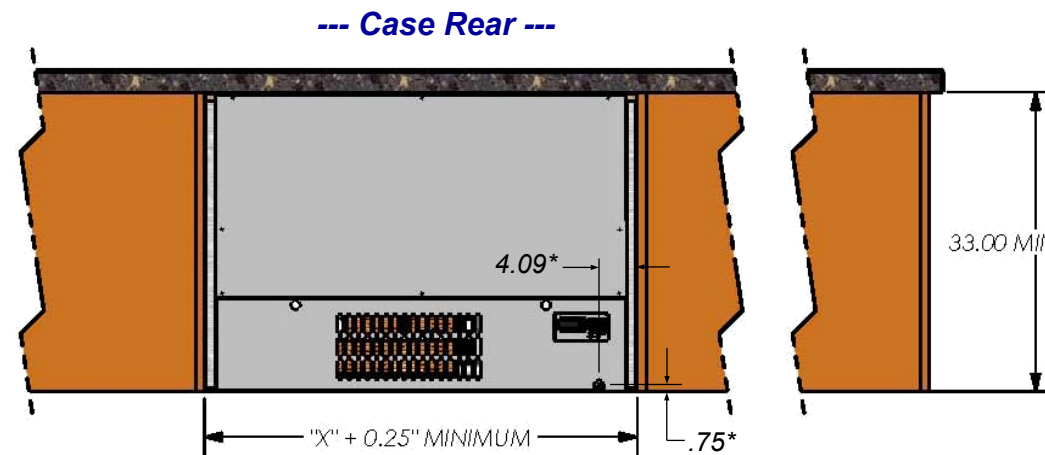


MODEL	MINIMUM "X" DIMENSION
CO3324R-UC	34"
CO4324R-UC	45"
CO5324R-UC	57"
CO6324R-UC	69"

--- Case Front ---

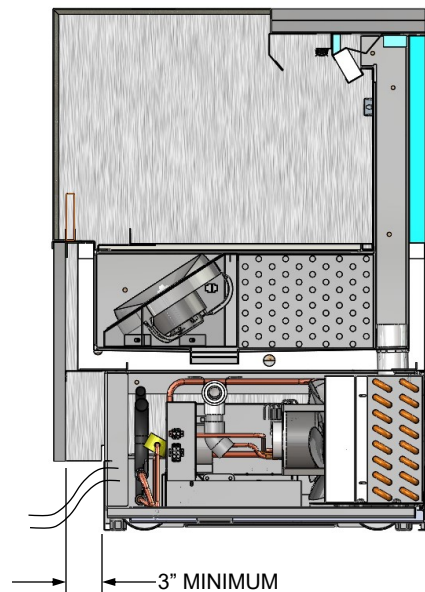


MODEL	"X" DIMENSION
CO3324R-UC	36.25"
CO4324R-UC	47.25"
CO5324R-UC	59.25"
CO6324R-UC	71.25"

* Note: A 6-foot power cord is supplied and exits the display through the rear panel (as shown at left). Refer to model specification sheet for electrical requirements and plug configuration.

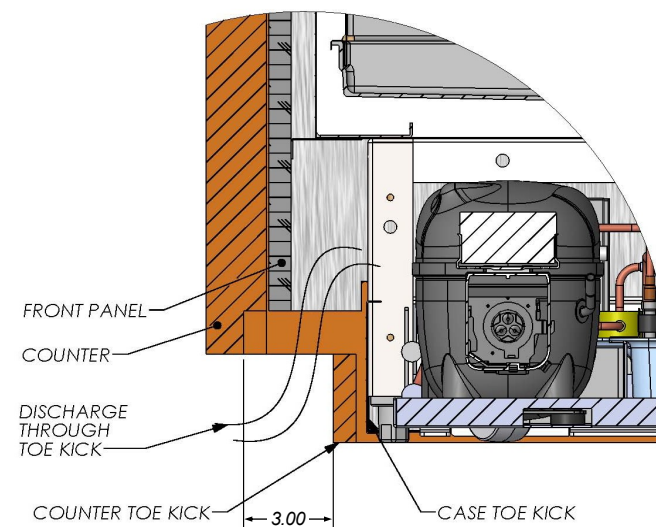
--- Case Rear ---

--- Side Section ---



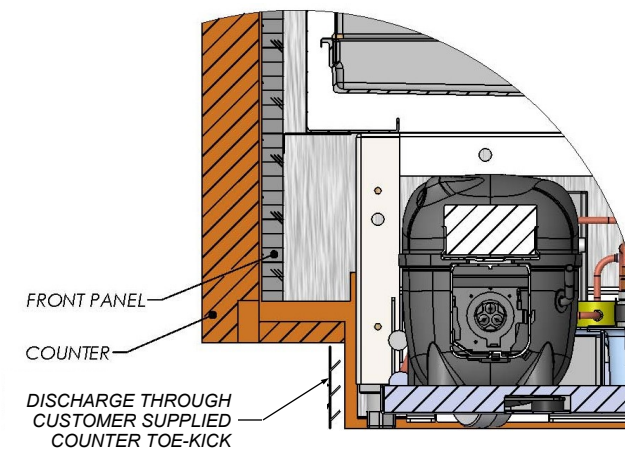
Important!
Any Revisions
To This
Document
Must Also
Be Made
To Operating
Manual
P/N 20-24002

--- Side Section With O.E.M. Toe-Kick ---



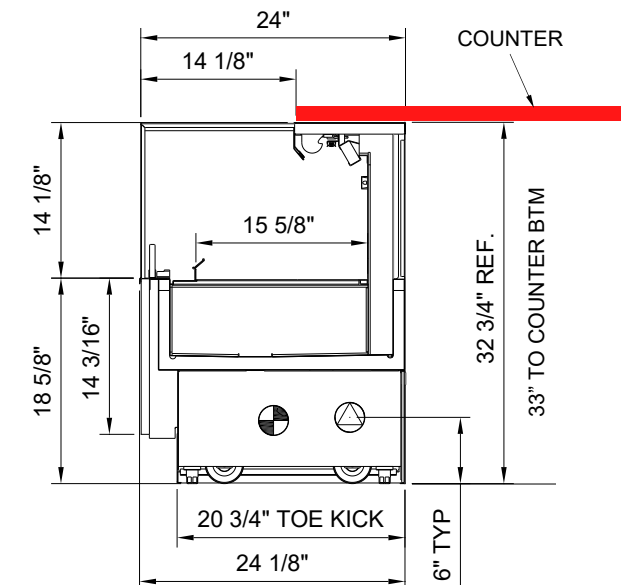
Note: Above Illustration May Not Exactly Reflect Every Feature or Option of Your Particular Case

--- Side Section Without O.E.M. Toe-Kick ---

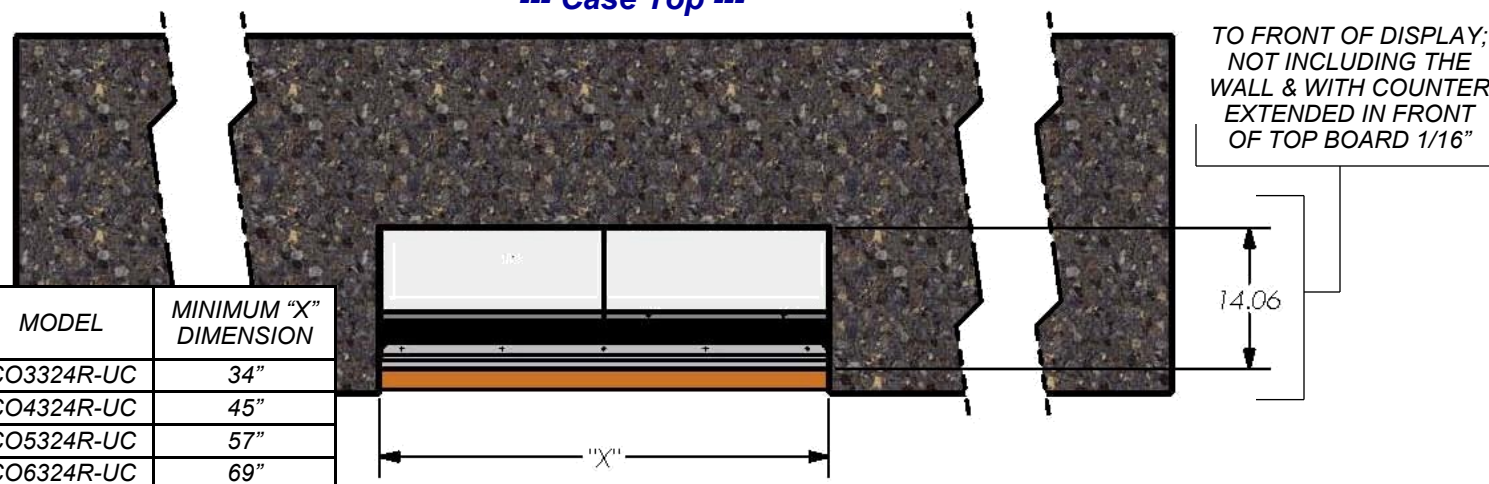


Note: Above Illustration May Not Exactly Reflect Every Feature or Option of Your Particular Case

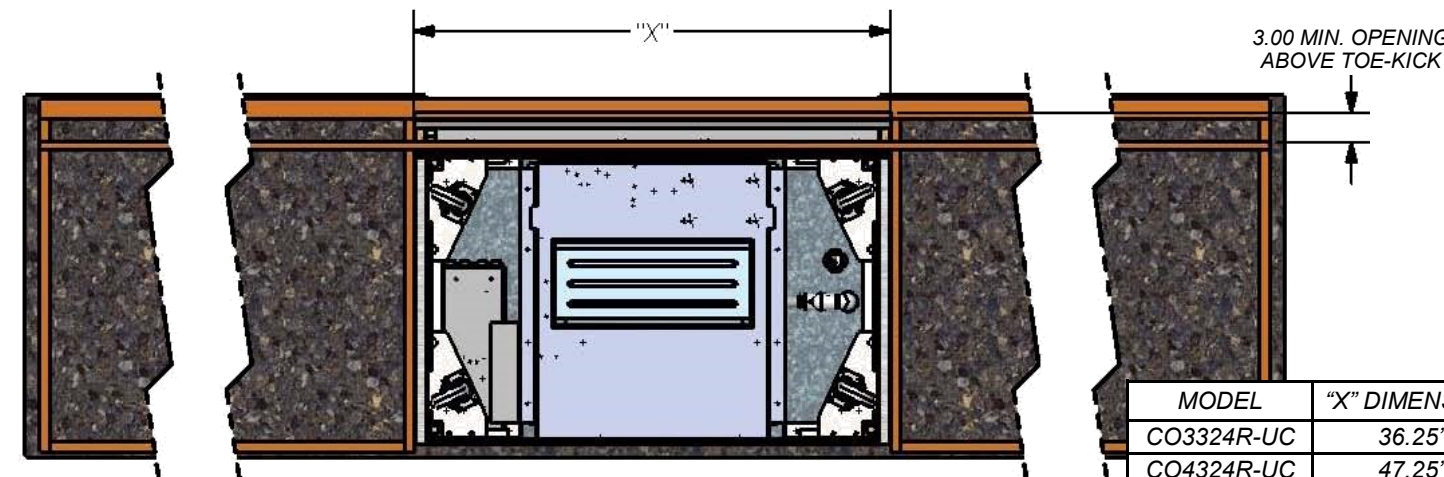
--- Side Section With Dimensions ---



--- Case Top ---



MODEL	MINIMUM "X" DIMENSION
CO3324R-UC	34"
CO4324R-UC	45"
CO5324R-UC	57"
CO6324R-UC	69"



--- Case Underside ---

MODEL	"X" DIMENSION
CO3324R-UC	36.25"
CO4324R-UC	47.25"
CO5324R-UC	59.25"
CO6324R-UC	71.25"