

# FETCO®

## LUXUS® L4D & L4S Thermal Dispensers User's Guide



**L4D-10**  
1 gallon

**L4D-15**  
1½ gallon

**L4D-20**  
2 gallon

**LUXUS®**

© 2017 Food Equipment Technologies-FETCO®

600 Rose Rd. Lake Zurich, IL 60047-0429 USA

☎: (800) 338-2699 or (847) 719-3000

website: [www.fetco.com](http://www.fetco.com) email: [info@fetco.com](mailto:info@fetco.com)


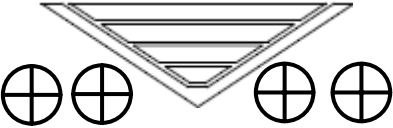


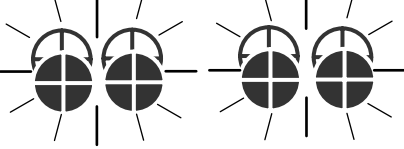
PATENTED

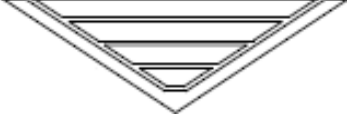




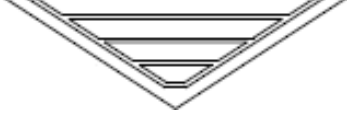
PATENTS: [www.fetco.com/patents](http://www.fetco.com/patents)



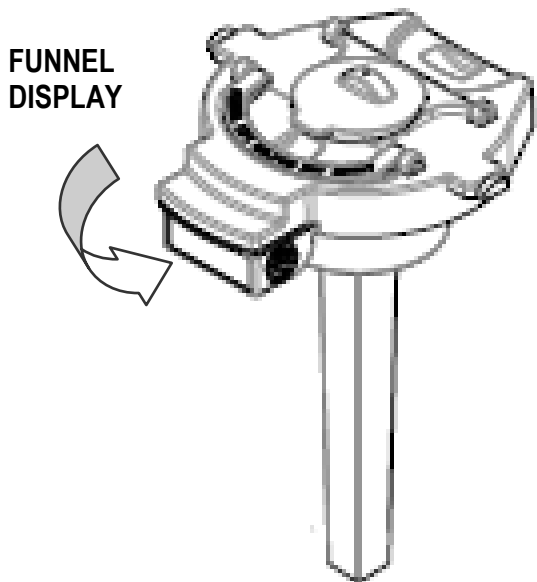
**P157** March 2017

# BREW FUNNEL DISPLAY

Freshness Timer®	<i>FETCO indicator funnel</i>
Quad icons, each divided into quarter hours segments—The four icons represent a time range of four hours	<i>Blank indicator funnel display is shown, dispenser is "Ready" for brewing</i>
	<i>BLANK: Empty—Ready To Brew</i> 
1-15...minute time range	
16-30...minute time range	
<p><b>...Some displays are omitted for clarity</b></p> <p><i>Slowly pulsing display: ...more than 4 hours</i></p>	 <i>...Active On &amp; Off...</i>

<i>Volume Indicator</i>
Lower "VEE"+ four upper bars represent 20% increments of fill level of the dispenser <b>"READY" TO BREW</b>
 <b>Fifth Level-FULL</b>
 <b>Fourth Level=80%filled</b>
 <b>Third Level= 60% filled</b>
 <b>Second Level=40% filled</b>
 <b>First Level=20% filled</b>
<b>DISPENSER EMPTY</b> 

Time is reset when dispenser is completely emptied, when funnel is removed, or when enough liquid is added to increase the volume by at least one level

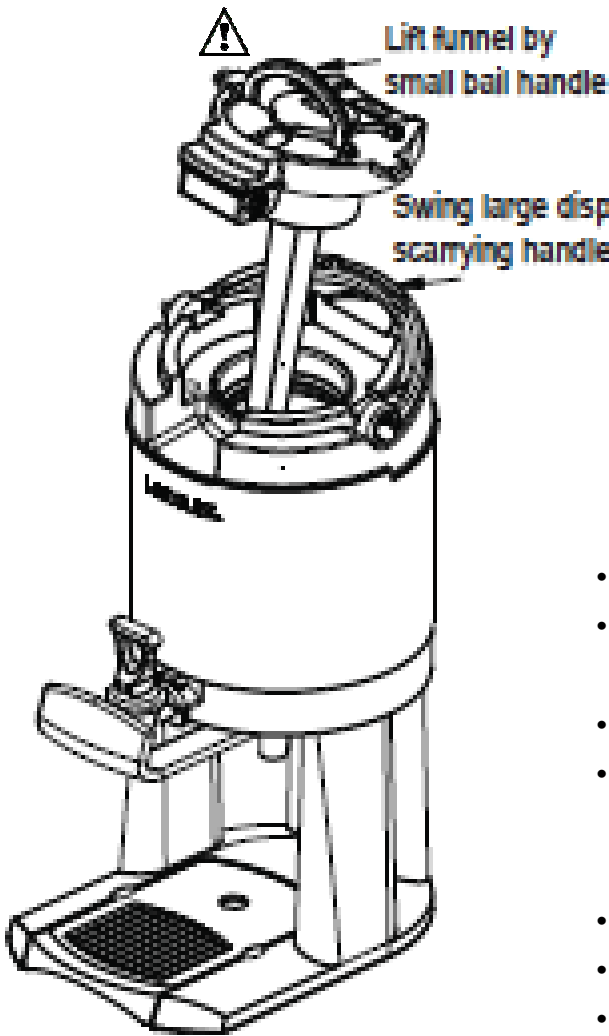


**NO DISHWASHER**



**NO MICROWAVE**

*Clean and dry funnel  
by hand only*



## TO REMOVE FUNNEL ASSEMBLY

### NOTE:

- NEVER carry dispenser by the bail handle
- Swing large carrying handle to rear
- Lift funnel by small bail handle

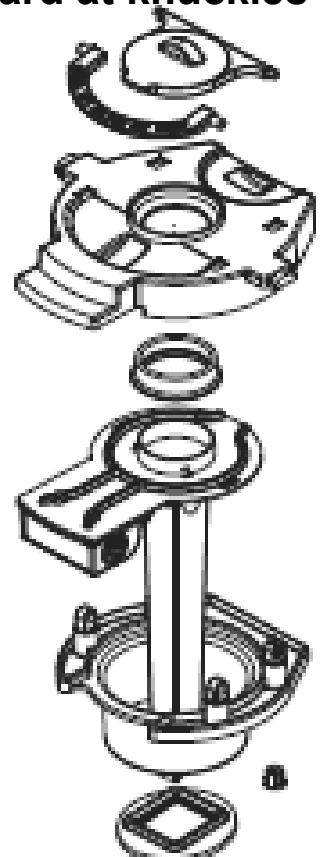
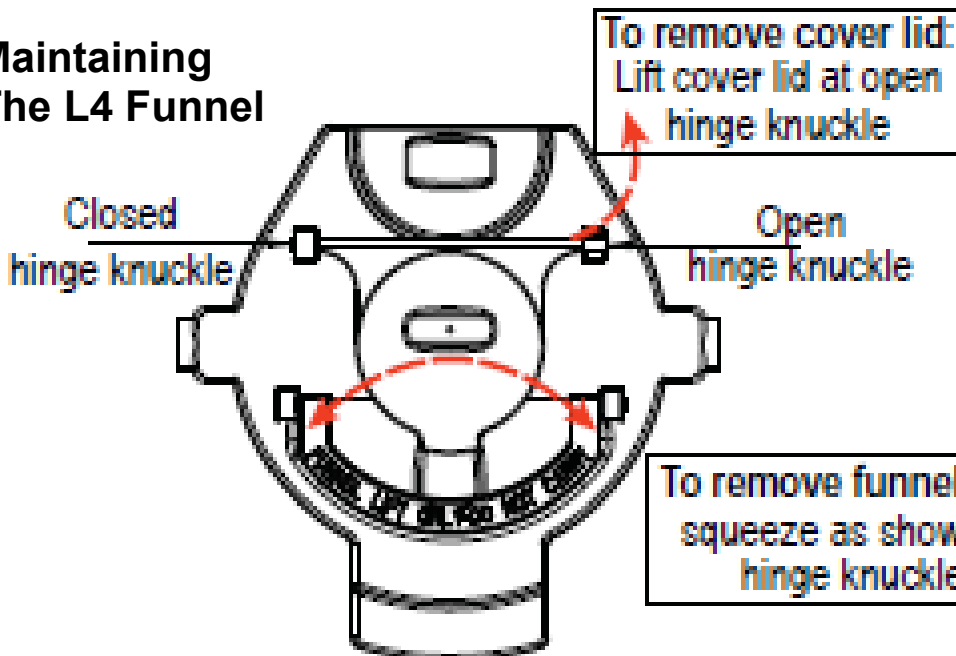
**Important Notice:** To maintain proper operation of the funnel display, clean the funnel stem daily under running water with detergent and sponge, or non-abrasive pad or towel.

- Do not submerge
- Brew funnel must be removed for manual filling of dispenser.
- Removing the funnel resets timer.
- To extend battery life, remove the funnel when not in use.

(Battery cannot be replaced.)

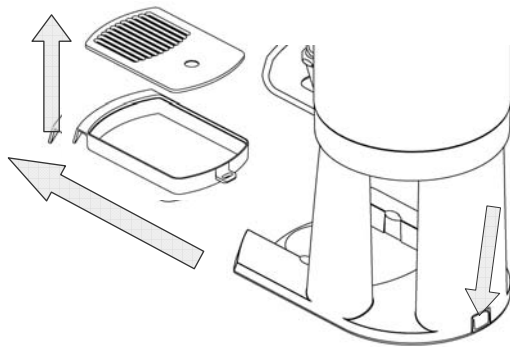
- **TO ACCESS BREW FUNNEL**
- Remove both plug and bail handle
- -Snap cover out at OPEN hinge knuckle
- -Squeeze funnel bail inward at knuckles to remove

## Maintaining The L4 Funnel



# Accessing Dispenser Parts

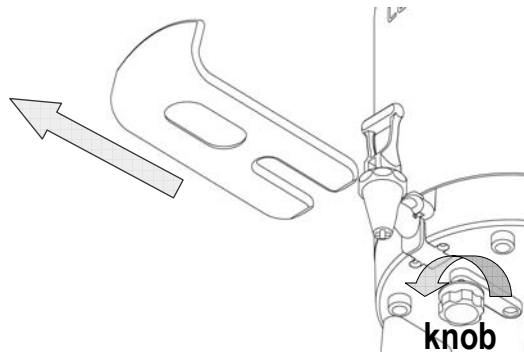
## REMOVING THE DRIP TRAY



Slide drip tray out

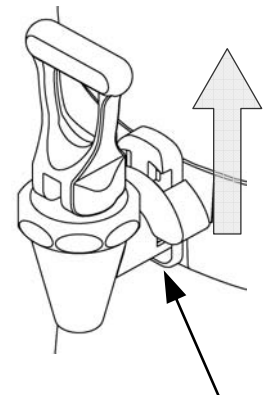
## REMOVING THE FAUCET GUARD

- 1) Unscrew knob approximately four turns
- 2) Slide faucet guard out.

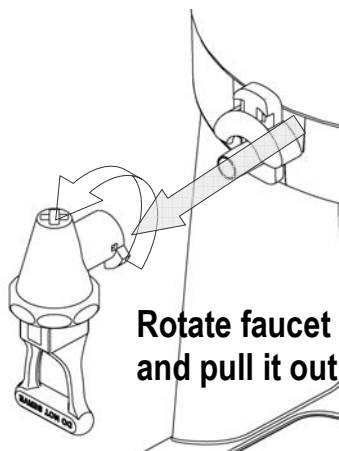


← latch release

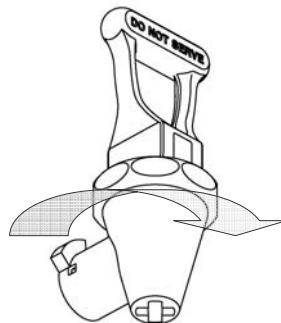
## REMOVING THE FAUCET



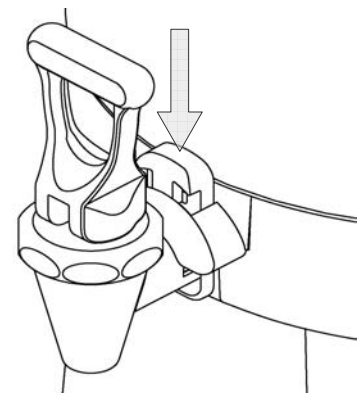
Press faucet release latch up.



Rotate faucet 180° and pull it out



Unscrew faucet upper assembly to clean or replace seat cup



Reverse procedure to re-install faucet. Press release latch down to lock faucet into place--!!Click!!

## IMPORTANT SAFEGUARDS

- ▶ To prevent overflows, make sure the dispenser is completely empty before brewing.
- ▶ Always remove the funnel for manual filling of the dispenser.
- ▶ Use only the large handle to lift or carry the dispenser.
- ▶ NEVER use the small funnel bail to lift or carry the dispenser
- ▶ Do not use the faucet guard to pull or lift the dispenser.
- ▶ Do not submerge the brew funnel
- ▶ Do not use bleach or cleaners containing chlorides.
- ▶ Do not use solvent based cleaner or polish on this equipment
- ▶ Never use a cleaner on any food equipment that contains the solvent diethylene glycol butyl ether (DGBE) .
- ▶ Use only non-metallic pads and non-abrasive cleaning pads.
- ▶ DO NOT USE A BRUSH INSIDE THE DISPENSER

## CLEANING AND MAINTENANCE

Detailed instructions are available on our web site, [www.fetco.com](http://www.fetco.com).

Daily:



***Important Notice: To maintain proper operation of the funnel display, clean the funnel stem daily under running water with detergent and a non-abrasive sponge or towel.***

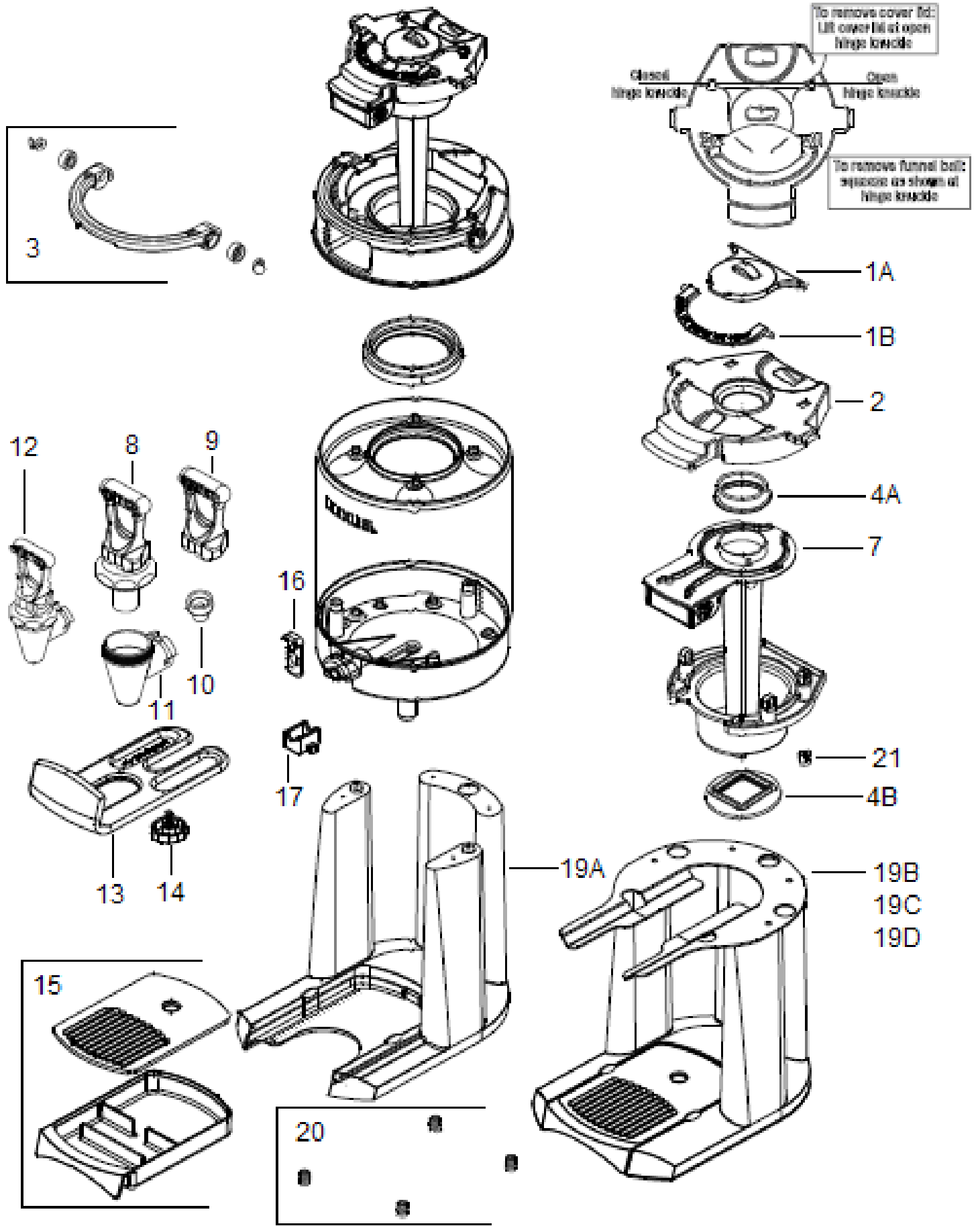
**DO NOT SUBMERGE FUNNEL OR DISPENSER.**

- ▶ Use any commercial beverage urn cleaner to clean the inside of the dispenser. Follow the cleaner manufacturer's instructions. Make sure to thoroughly rinse the dispenser after cleaning.
- ▶ Wash the drip tray and other plastic parts with dish detergent. Avoid abrasives.
- ▶ To sanitize the dispenser before filling, brew a batch of water only (no coffee) into the dispenser and allow it to rest for 10 minutes.

Weekly, or as needed:

- ▶ Remove the faucet upper assembly and inspect the seat cup for wear. Clean or replace if necessary.

# Replacement Parts



#	Description	Dispenser Model Number		
		L4D10 & L4S10	L4D15 & L4S15	L4D20 & L4S20
1A	Cover Lid-Gray [GR]	1023.00277.00GR	1023.00277.00GR	1023.00277.00GR
1B	Funnel Bail Handle	1023.00278.00	1023.00278.00	1023.00278.00
2	Funnel Top Cover	1023.00283.00	1023.00279.00	1023.00279.00
3	Handle With Hardware	1000.00111.00	1000.00112.00	1000.00112.00
4A	Top Gasket	1029.00014.00	1029.00016.00	1029.00016.00
4B	Bottom Gasket	1029.00013.00	1029.00015.00	1029.00015.00
4C	Neck Gasket	1024.00070.00	1024.00070.00	1024.00070.00
5	Cover/ Funnel Assembly	1109.00109.00	1109.00109.00	1109.00109.00
6	Top L4D	1023.00286.00	1023.00282.00	1023.00282.00
7	Indicator Funnel	1102.00142.00	1102.00149.00	1102.00149.00
8	Faucet Upper Assembly (Standard-Black)	1071.00020.00	1071.00020.00	1071.00020.00
8	Faucet Upper Assembly Orange Handle "DECAFF"	1071.00030.00	1071.00030.00	1071.00030.00
8	Faucet Upper Assembly Green Handle	1071.00031.00	1071.00031.00	1071.00031.00
8	Faucet Upper Assembly Blue Handle	1071.00032.00	1071.00032.00	1071.00032.00
9	Faucet Handle, Black	1071.00022.00	1071.00022.00	1071.00022.00
9	Faucet Handle, Red "HOT WATER"	1071.00040.00	1071.00040.00	1071.00040.00
10	Faucet Seat Cup	1071.00013.00	1071.00013.00	1071.00013.00
11	Faucet Body Assembly	1000.00012.00	1000.00012.00	1000.00012.00
12	Faucet Assembly Complete	1102.00055.00	1102.00055.00	1102.00055.00
13	Faucet Guard	1023.00076.00	1023.00055.00	1023.00055.00
14	Knob & Washer (For Faucet Guard)	1000.00010.00	1000.00010.00	1000.00010.00
15	Drip Tray Assembly	1000.00013.00	1000.00014.00	1000.00014.00
16	Faucet Lock	1023.00069.00	1023.00069.00	1023.00069.00
17	Insert, Bottom	1023.00083.00	1023.00067.00	1023.00067.00
18	Bottom L4D	1102.00363.00	1102.00361.00	1102.00361.00
19A	Stand Assy. <b>L4D</b>	1000.00015.00	1000.00016.00	1000.00016.00
19B	Stand Assy. <b>L4S</b> Single	A147	A150	A150
19C	Stand Assy. <b>L4S</b> Twin	A148	A151	A151
19D	Stand Assy. <b>L4S</b> Triple	A149	A152	A152
20	Anti-Slip Foot (Qty-4)	1024.00069.00	1024.00069.00	1024.00069.00
21	Funnel Plug (Qty-4)	1029.00010.00	1029.00010.00	1029.00010.00

**LUXUS®**