

# Pizza Prep-Table Refrigerators

**CPP566:** 2 Door Pizza Prep-Table Refrigerator  
+ Condiment Rail

**CPP588:** 3 Door Pizza Prep-Table Refrigerator  
+ Condiment Rail



Designed in partnership with industry-leading Italian commercial manufacturer, Desmon.



CPP566



CPP588

Project:
Notes:

### Features and Specifications

Stainless steel	
CPP566: volume of 14 cu ft	
CPP588: volume of 21.89 cu ft	
Electronic digital temperature control with alarms	
Autodefrost	
Epoxy coated, sealed evaporator eliminates potential corrosion	
High efficiency evaporator coil & condenser	
Factory pre-wired for dedicated outlet	
CPP566 includes 2 epoxy coated wire shelves	CPP588 includes 3 epoxy coated wire shelves
CPP566 dimensions: 63 15/16" H x 65 1/8" W x 31 1/8" D	CPP588 dimensions: 63 15/16" H x 88 11/32" W x 31 1/8" D
Temperature range: 28°F - 46°F	
High efficiency compressor with 6.5 running amps	
Environmentally friendly R290 refrigerant	

### Model Details

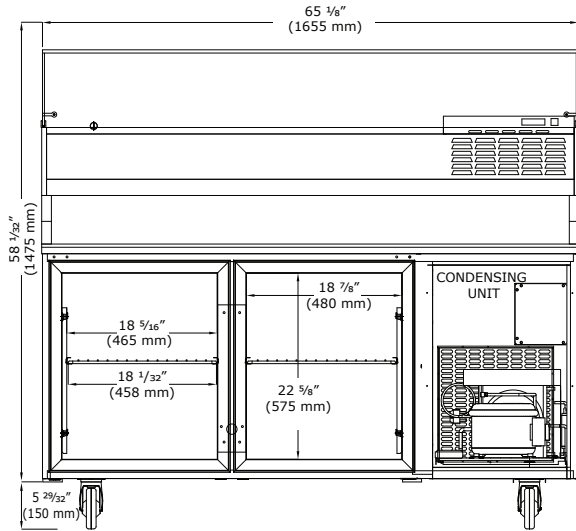
Model	Description	Voltage/Hz	Shipping Weight
UCPP566-SS61A	2 Door Pizza Prep-Table Refrigerator + Condiment Rail	115v / 60hz	772 lb
UCPP588-SS61A	3 Door Pizza Prep-Table Refrigerator + Condiment Rail	115v / 60hz	992 lb

### Accessories

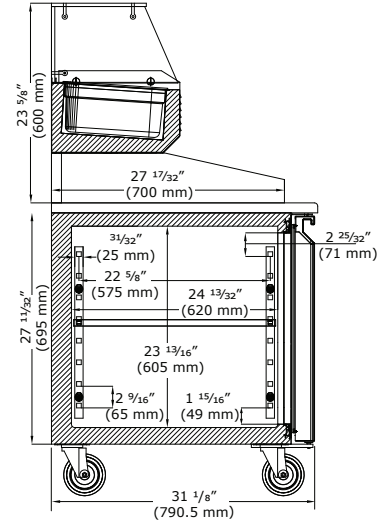
Model	Description	Shipping Weight
ULA4082514	Shelf Guide	.88 lb
ULAQ32-4666-ETL	Plastic Coated Shelf	2.2 lb
ULAGN-1315-T	Stainless GN 1/3 Pan (6.93" x 12.79" x 5.9")	1.67 lb
ULAGNC-13	Stainless GN 1/3 Pan Top (6.93" x 12.79")	.77 lb
ULAGN-2815	Stainless GN 2/8 Pan (UCPP566 Only) (5.19" x 12.79" x 5.9")	1.3 lb
ULAGNC-28	Stainless GN 2/8 Pan top (UCPP566 Only) (5.19" x 12.79")	.77 lb



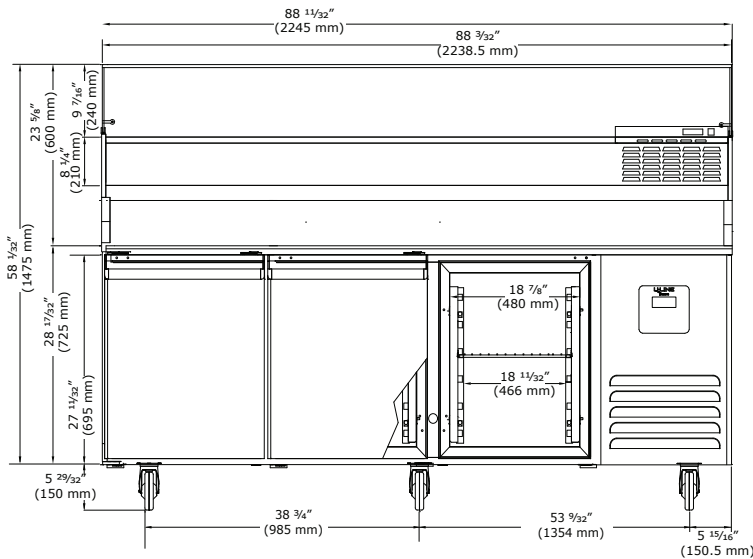
**Front (2 Door with Condiment Rail)**



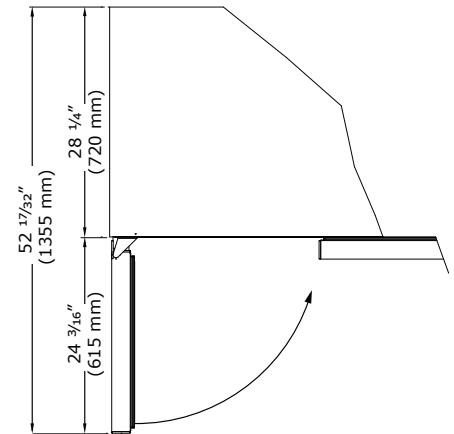
**Side**



**Front (3 Door with Condiment Rail)**



**Top**



**Commercial Warranty**

1 Year (parts & labor) / 5 year sealed system (parts)  
See complete warranty for details

