

Pizza Prep-Table Refrigerators

CPP466: 2 Door Pizza Prep-Table Refrigerator

CPP488: 3 Door Pizza Prep-Table Refrigerator



Designed in partnership with industry-leading Italian commercial manufacturer, Desmon.



CPP466



CPP488

Project:
Notes:

Features and Specifications

Stainless steel	
CPP466: volume of 14 cu ft	
CPP488: volume of 21.89 cu ft	
Electronic digital temperature control with alarms	
Autodefrost	
Epoxy coated, sealed evaporator eliminates potential corrosion	
High efficiency evaporator coil & condenser	
Factory pre-wired for dedicated outlet	
CPP466 includes 2 epoxy coated wire shelves	CPP488 includes 3 epoxy coated wire shelves
CPP466 Dimensions: 40 5/16" H x 65 5/32" W x 31 1/2" D	CPP488 Dimensions: 40 5/16" H x 88 3/8" W x 31 1/2" D
Temperature range: 28°F - 46°F	
High efficiency compressor with 5 running amps	
Environmentally friendly R290 refrigerant	

Model Details

Model	Description	Voltage/Hz	Shipping Weight
UCPP466-SS61A	2 Door Pizza Prep-Table Refrigerator	115v / 60hz	662 lb
UCPP488-SS61A	3 Door Pizza Prep-Table Refrigerator	115v / 60hz	882 lb

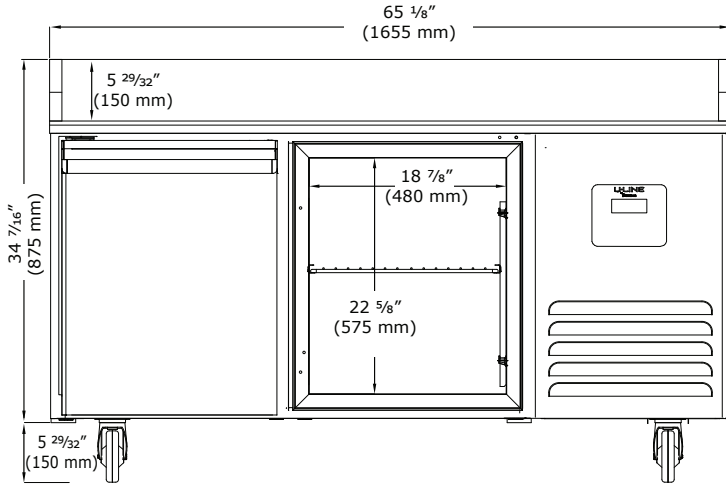
Accessories

Model	Description	Shipping Weight
ULA4082514	Shelf Guide	.88 lb
ULAQ32-4666-ETL	Plastic Coated Shelf	2.2 lb
ULAGN-1315-T	Stainless GN 1/3 Pan (6.93" x 12.79" x 5.9")	1.67 lb
ULAGNC-13	Stainless GN 1/3 Pan Top (6.93" x 12.79")	.77 lb
ULAGN-1615	Stainless GN 1/6 Pan (6.93" x 6.37" x 5.9")	.88 lb
ULAGNC-16	Stainless GN 1/6 Pan Top (6.93" x 6.37")	.77 lb
ULAGN-2815	Stainless GN 2/8 Pan (UCPP466 Only) (5.19" x 12.79" x 5.9")	1.3 lb
ULAGNC-28	Stainless GN 2/8 Pan top (UCPP466 Only) (5.19" x 12.79")	.77 lb

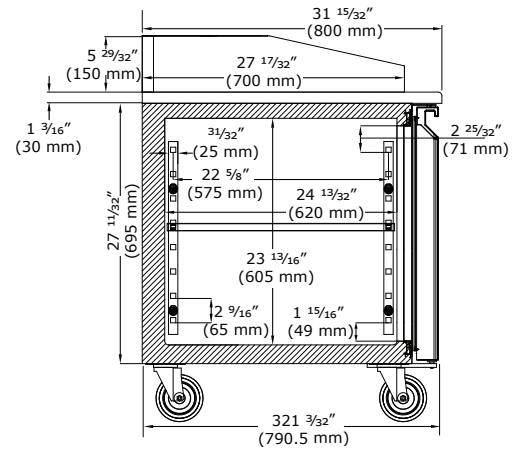


Product Specifications • Pizza Prep-Table Refrigerators

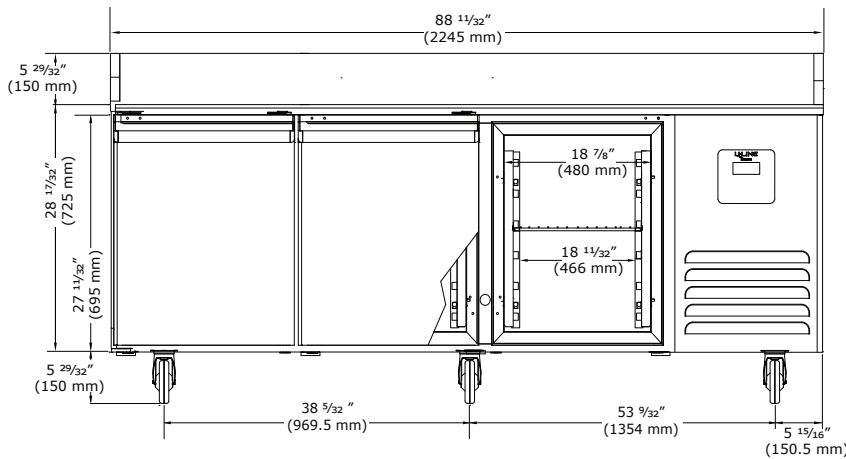
Front (2 Door)



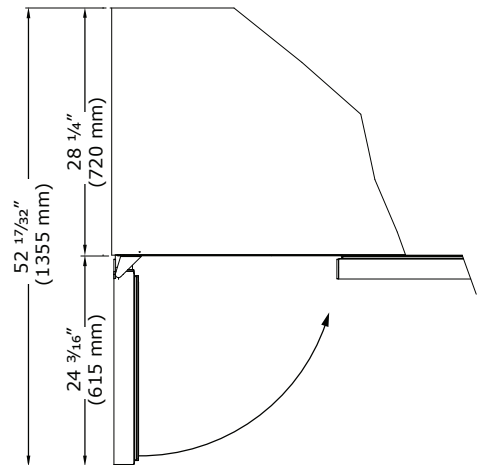
Side



Front (3 Door)



Top



Commercial Warranty

1 Year (parts & labor) / 5 year sealed system (parts)
See complete warranty for details

