

CBF432: 5 Tray Blast Freezer/Chiller
 CBF532: 10 Tray Blast Freezer/Chiller
 CBF632: 15 Tray Blast Freezer/Chiller



Designed in partnership with industry-leading Italian commercial manufacturer, Desmon.



CBF432



CBF532



CBF632

Project:
Notes:

Features and Specifications

Stainless steel	
CBF432 capacity: 5 trays (2.58 sq ft shelf area)	
CBF532 capacity: 10 trays (2.58 sq ft shelf area)	
CBF632 capacity: 15 trays (2.58 sq ft shelf area)	
Heated core probe, UV sterilizer, thawing function	
CBF432 output chilling (194°F to 37.4°F in 90 min): 44.09 lb	CBF432 output freezing (194°F to -.4°F in 270 min): 26.46 lb
CBF532 output chilling (194°F to 37.4°F in 90 min): 77.16 lb	CBF532 output freezing (194°F to -.4°F in 270 min): 55.11 lb
CBF632 output chilling (194°F to 37.4°F in 90 min): 143.3 lb	CBF632 output freezing (194°F to -.4°F in 270 min): 110.23 lb
Touch screen temperature control with alarms	
Autodefrost	
Epoxy coated, sealed evaporator eliminates potential corrosion	
Factory pre-wired for dedicated outlet	
CBF432 dimensions: 33 15/32" H x 31 1/2" W x 31 11/16" D	
CBF532 dimensions: 64 11/32" H x 31 1/2" W x 32 7/8" D	
CBF632 dimensions: 77 5/16" H x 31 1/2" W x 32 7/8" D	
Temperature range: -40°F - 3°F	
High efficiency compressor	
Environmentally friendly R452A refrigerant	

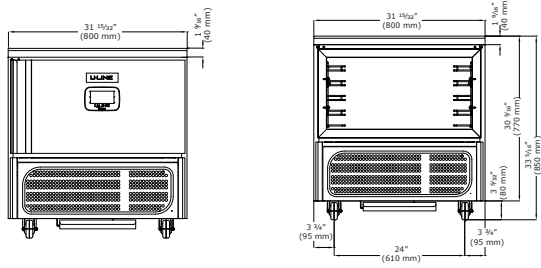
Model Details

Model	Description	Voltage/Hz/Phase	Shipping Weight
UCBF432-SS11A	5 Tray Blast Freezer/Chiller, Right Hand Hinge	115v / 60hz / 1	287 lb
UCBF532-SS12A	10 Tray Blast Freezer/Chiller, Right Hand Hinge	230v / 60hz / 3	463 lb
UCBF632-SS12A	15 Tray Blast Freezer/Chiller, Right Hand Hinge	230v / 60hz / 3	541 lb

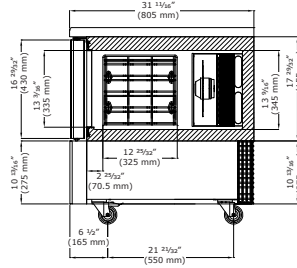


Product Specifications • Blast Freezers/Chillers

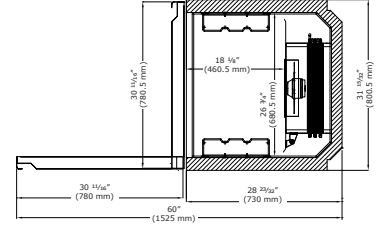
Front (CBF432) Interior



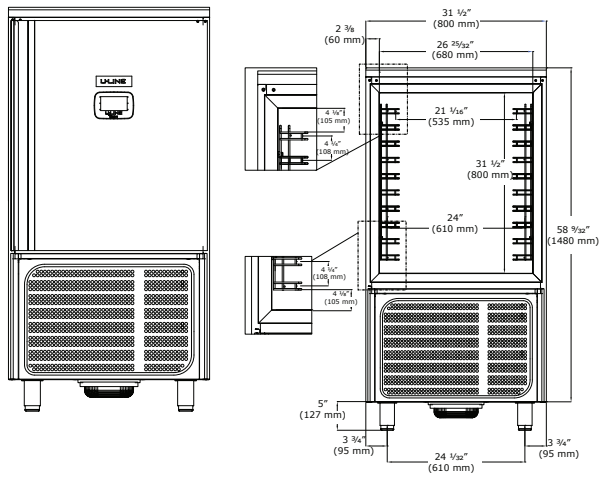
Side



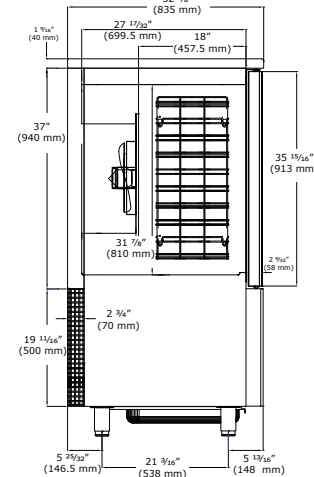
Top



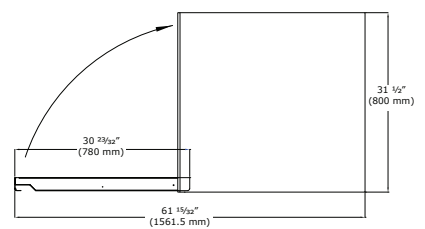
Front (CBF532) Interior



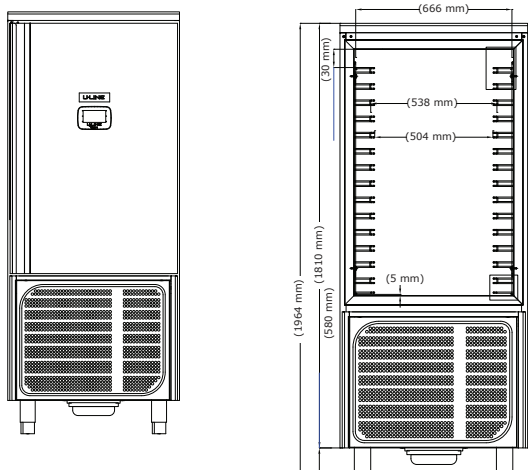
Side



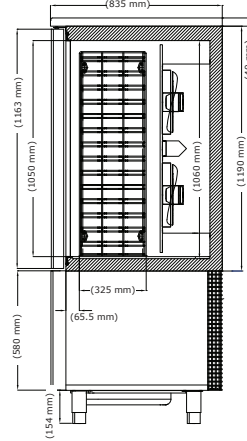
Top



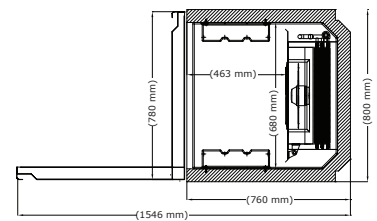
Front (CBF632) Interior



Side



Top



Commercial Warranty

1 Year (parts & labor) / 5 year sealed system (parts)
See complete warranty for details

