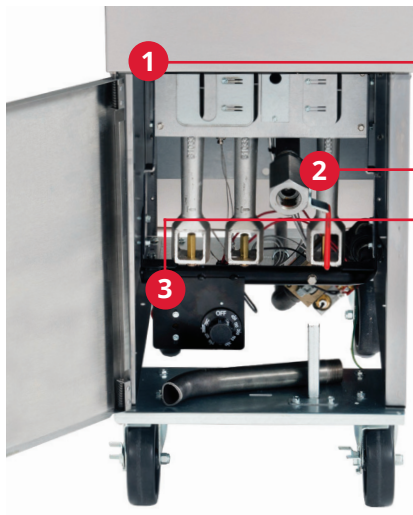
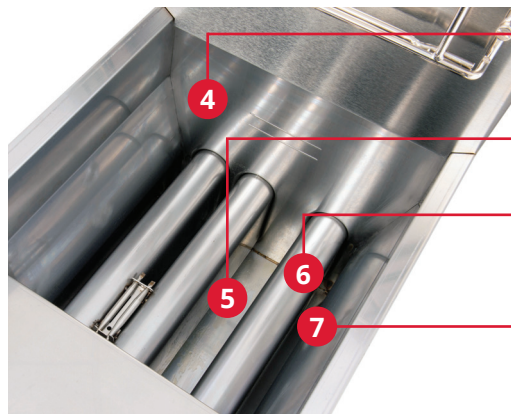


ESG35T ENERGY STAR® Value, High-Efficiency Fryer

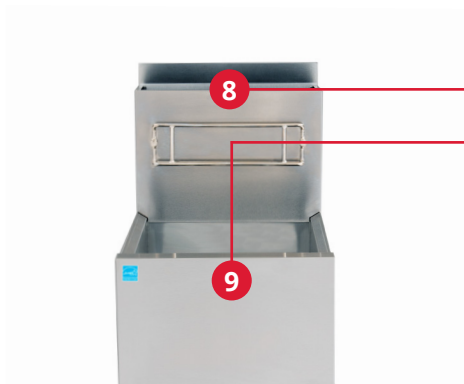
Saves Energy and Oil.



- 1. **High-efficiency.** Exceeds ENERGY STAR® guidelines and qualifies for energy-saving rebates.
- 2. **Requires 33% less BTU/hr** than comparable standard models.
- 3. **Millivolt Control** - no electrical hook-up required.



- 4. **22% less oil.** 35-lb. frypot produces as much food as a 45-lb. fryer.
- 5. **Wide cold zone** keeps crumbs and sediment away from cooking areas.
- 6. **6-inch heating tubes** along with a proprietary baffle design deliver superior heat transfer.
- 7. **Insulated frypot** allows for a low idle rate further enhancing energy savings.



- 8. **Reduced flue heat.** 27% Less.
- 9. **Stainless steel** frypot, front door, back splash and flue.



ESG35T fryers exceed ENERGY STAR® guidelines for high efficiency and are part of the Welbilt EnerLogic™ program

